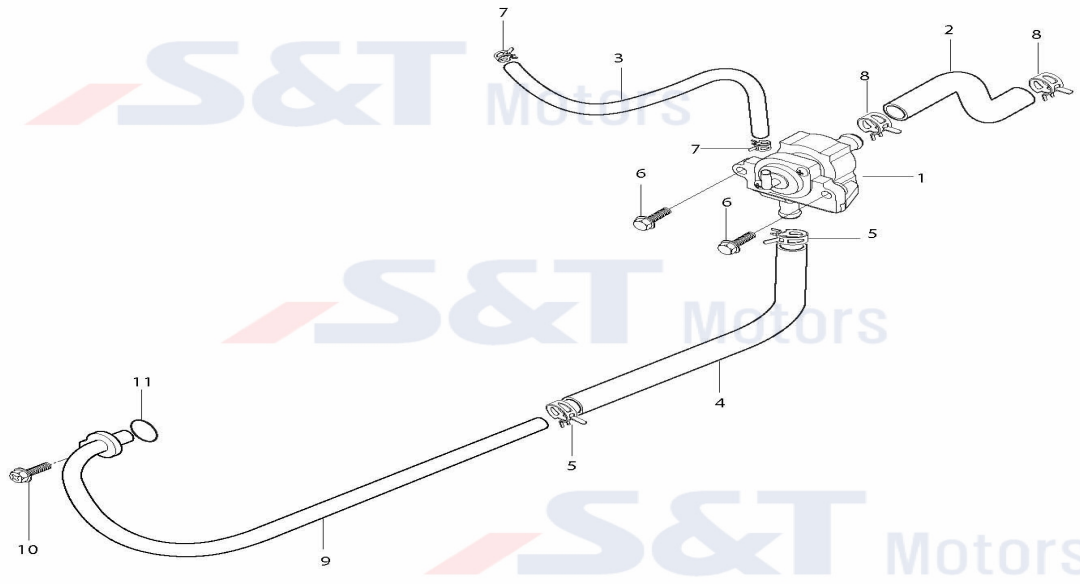
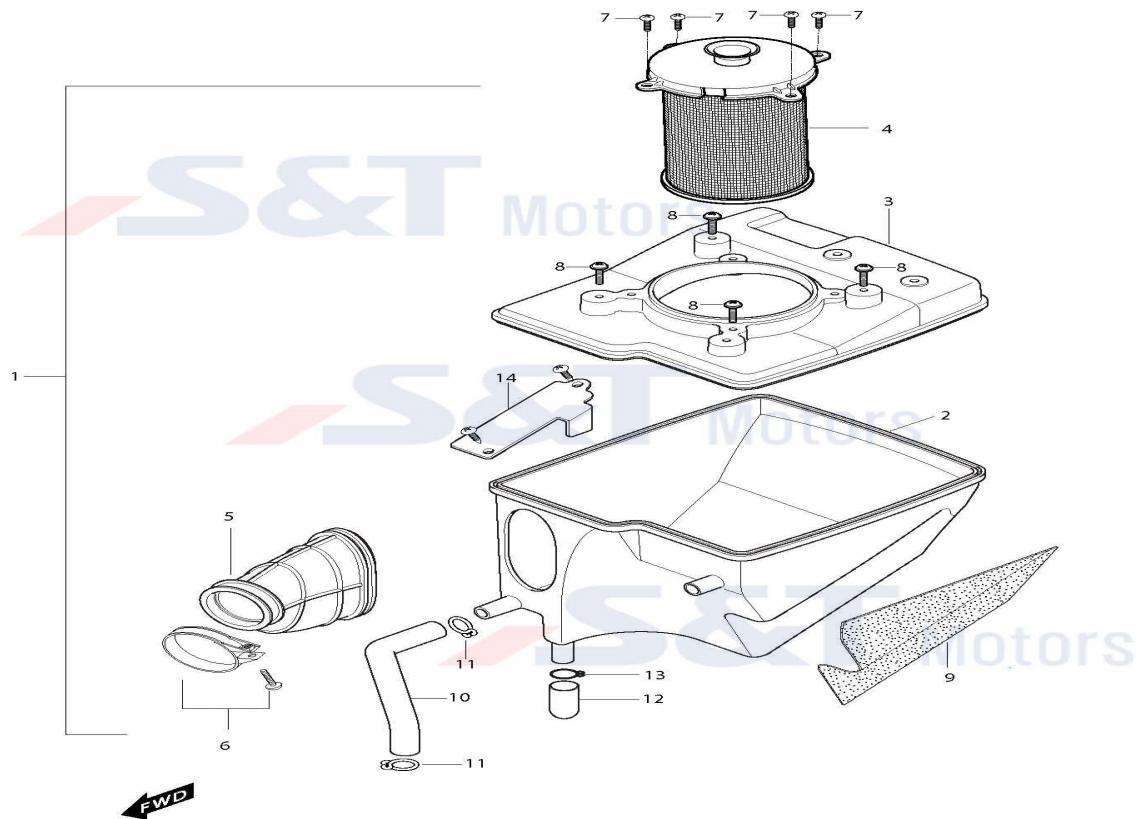


FIG 13



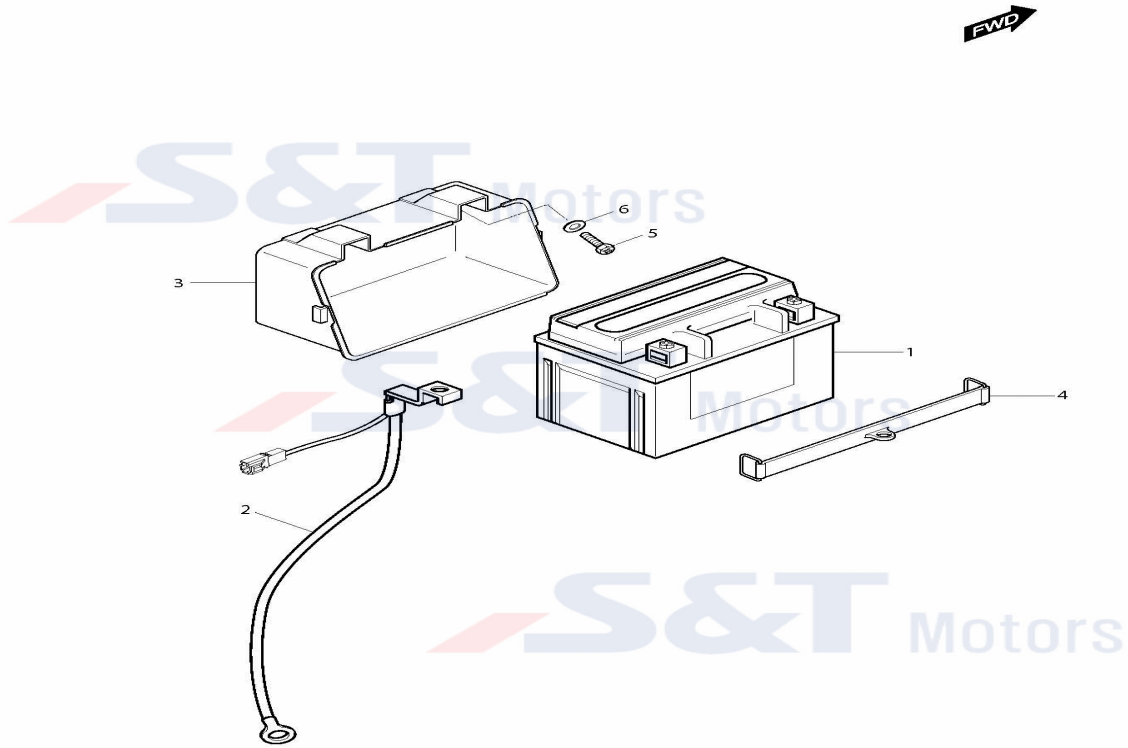
SEQ	PART CODE	PART NAME	U/S	REMARK
1	18500H85201	VALVE ASS'Y,2ND AIR (GV125CN)	1	
2	18651HG5850	HOSE,2ND AIR CLEANER (RX125)	1	
3	18681HN9100	HOSE,2ND VACUUM LEFT (GT650)	1	
4	18631HG5850	HOSE,2ND AIR PIPE (RX125)	1	
5	09401H13401	CLAMP,THERMOSTAT BYPASS HOS	2	
6	01104-06208	BOLT,TENSIONAL ADJUSTER	2	
7	09401H08401	CLAMP,2ND VACUUM HOSE (GT650)	2	
8	09401H14401	CLAMP,BREATHER OIL RETURN(GT65)	2	
9	18610HR7800	PIPE COMP,2ND AIR (RT125D)	1	
10	09128-06005	BOLT,FUEL COCK	1	
11	09280H12005	O-RING (KR110)	1	

FIG.11



SEQ	PART CODE	PART NAME	U/S	REMARK
1	13700HR7900	CLEANER ASS'Y,AIR (RX125D)	1	
2	13720HR7901	NULL	1	
3	13740HR7901	NULL	1	
4	13780-35C00	ELEMENT COMP	1	
5	13881HR7900	TUBE OUTLET (RX125D)	1	
6	09402-44207	CLAMP,INTAKE PIPE	1	
7	02142-05103	SCREW,SPROCKET GUARD (160)	4	
8	02142-15125	SCREW,MUD GUARD	4	
9	1373HG5800	NULL	1	
10	18651HP7600	HOSE,2ND AIR CLEANER FT(GT125R	1	
11	09401H14401	CLAMP,BREATHER OIL RETURN(GT65	2	
12	13870-11124	TUBE COMP,DRAIN	1	
13	09401-14301	CLIP	1	

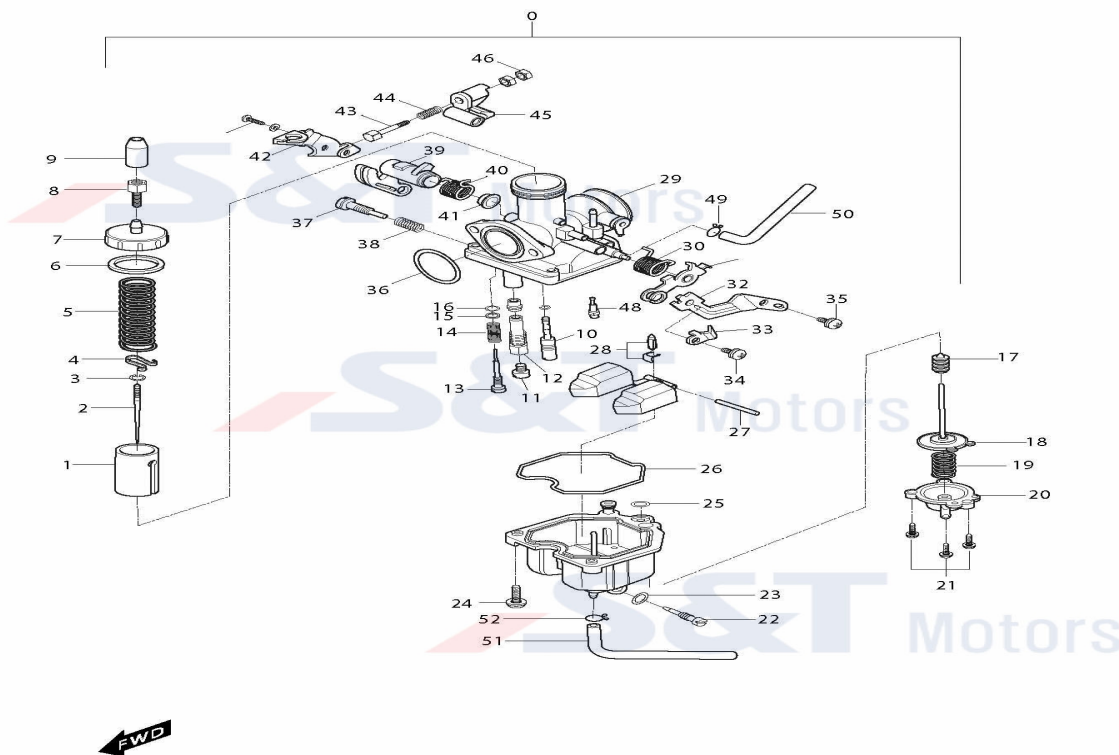
FIG.19



SEQ	PART CODE	PART NAME	U/S	REMARK
1	33610H06C11	BATTERY ASS'Y(12V 6AH)(FXM,GD)	1	
2	33860HG5800	LEAD WIRE,BATTLE MINUS (RX)	1	
3	41545HG5803	GUARD,BATTERY (RX)	1	
4	09462H00009	BAND BATTERY (RX)	1	
5	01517-06165	BOLT,SPORT CARRIER (SD)	2	
6	09169-06034	WASHER,LEG SHIELD	2	

SEQ	PART CODE	PART NAME	U/S	REMARK
19	13452H93B00	SPRING,PUMP DIAPHRAM	1	

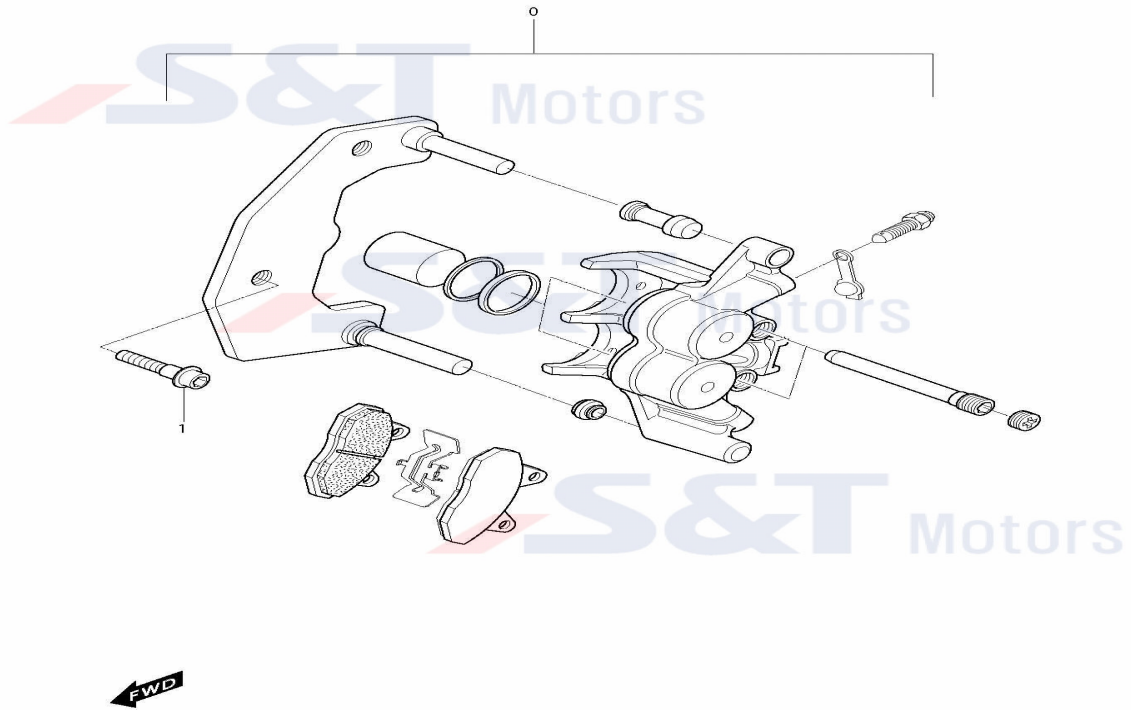
FIG 10



SEQ	PART CODE	PART NAME	U/S	REMARK
0	13200HR7900	CARBURETOR ASS'Y (RX)	1	
1	13511H93B00	NULL	1	
2	13383H93B00	NEEDLE,JET	1	
3	13533H93B00	E-RING,THROTTLE VALVE	1	
4	13581H93B00	CLIP,CARBURETOR	1	
5	13573H93B00	SPRING,THOTTLE VALVE	1	
6	13249H93B00	GASKET,TOP COVER	1	
7	13261H93B00	COVER,TOP	1	
8	13577H93B00	ADJUSTER,THROTTLE CABLE	1	
9	13681H93B00	CAP,CARBURETOR TOP	1	
10	09492H40001	JET,PILOT (GA)	1	
11	09494H93B00	JET,MAIN	1	
12	09491H95001	JET,NEEDLE	1	
13	13279H93B00	SCREW,PILOT (GA)	1	
14	13268H93B00	SPRING,PILOT SCREW	1	
15	13291H93B00	WASHER,CARBURETOR	1	
16	13295H93B00	O-RING (GA)	1	
17	13455H93B00	CAP,SEALING	1	

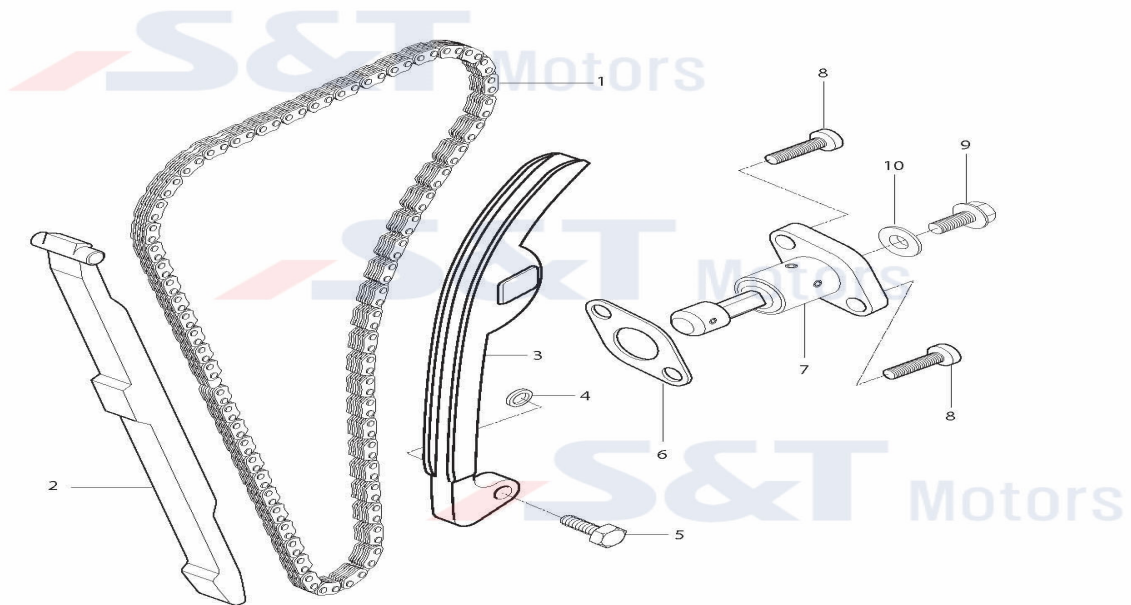
18	13460H93B00	DIAPHRAGM COMP,PUMP (GA)	1
20	13450H93B00	COVER COMP,PUMP	1
21	02112-44126	SCREW,CARBURETOR	3
22	13247H93B00	SCREW,DRAIN (GA)	1
23	13278H93B00	O-RING,DRAIN SCREW (GA)	1
24	02112-44166	SCREW,CARBURETOR	3 NOT SALE
25	13297H93B00	O-RING (GA)	1
26	13258H93B00	GASKET FLOAT CHAMBER	1
27	13250H93B00	FLOAT COMP	1
28	13370H93B00	VALVE ASS'Y,NEEDLE (GA)	1
29	13410H93B00	SHAFT ASS'Y,CHOKE	1
30	13472HF4601	NULL	1
31	13411H93B00	LEVER,CHOKE	1 NOT SALE
32	13413H93B00	STAY,CHOKE WIRE	1
33	13415H93B00	PLATE,STAY	1
34	02112-45126	SCREW,CARBURETOR	1
35	02112-44086	SCREW,CHOCK WIRE START	1
36	13277H93B00	O-RING,CARBURETOR	1
37	13267H93B00	ADJUSTER,THROTTLE	1
38	13268H93B00	SPRING,PILOT SCREW	1
39	13441H93B00	PUMP ARM-B	1
40	13443H93B00	SPRING,PUMP ARM-B	1
41	13442H93B00	GUIDE,PUMP ARM-B	1
42	13449H93B00	STAY PLATE,PUMP ARM	1
43	13447H93B00	ADJUSTER,PUMP	1
44	13446H93B00	SPRING,PUMP ARM-A	1
45	13445H93B00	PUMP ARM-A	1
46	08310-31046	NUT,PUMP ADJUSTER	1
47	02112-45146	SCREW,CARBURETOR	1
48	13448H93B00	NOZZLE,PUMP	1
49	09401-08401	CLIP,FUEL HOSE (GPS)	1
50	13684H93B00	HOSE,CARBURETOR	1 NOT SALE
51	13683H93B00	HOSE,CARBURETOR	1
52	09401-08401	CLIP,FUEL HOSE (GPS)	1

FIG.38



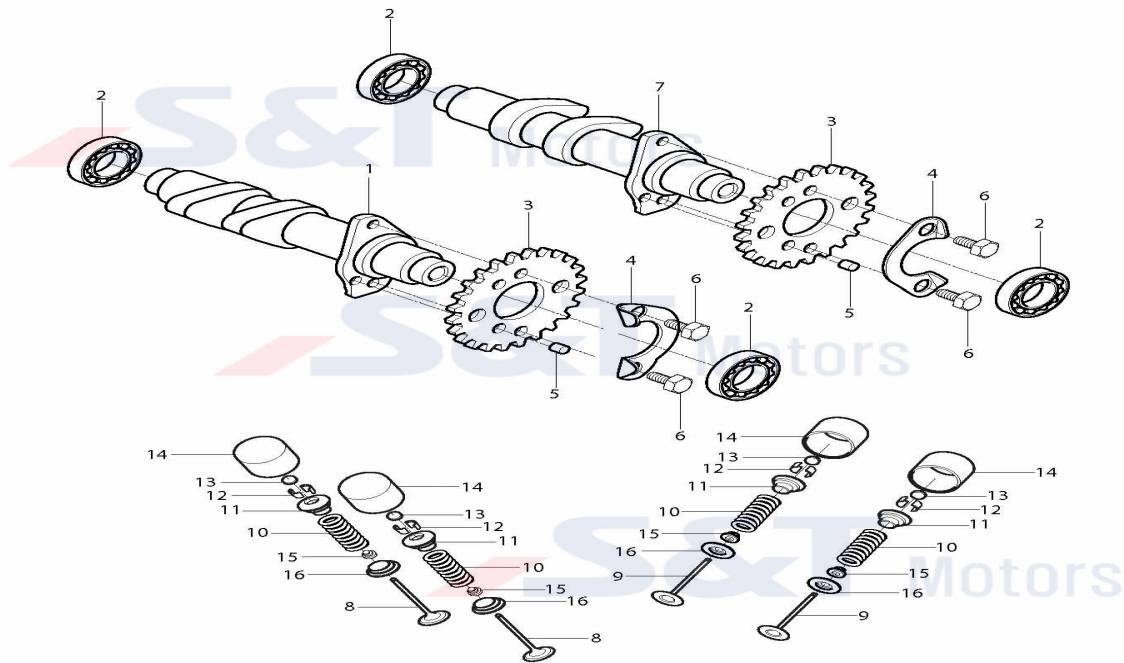
SEQ	PART CODE	PART NAME	U/S	REMARK
0	59300HR7900	CALIPER ASSY,FRONT (RX125D)	1	
1	07120-08308	BOLT,CALIPER (RX)	2	
2	59301HP9500	PAD SET(8.4T) (GV650)	1	

FIG 9



SEQ	PART CODE	PART NAME	U/S	REMARK
1	12760-16E00	CHAIN CAM SHAFT DRIVE(GT250RN)	1	
2	12771-16E00	GUIDE CAM CHAIN NO.1 (GSX)	1	
3	12782-35C00	GUIDE CAM CHAIN NO.2 (GSX)	1	
4	08211-06181	WASHER CAMLINK TENS BOLT (GD)	1	
5	12812H35C00	BOLT CAM CHAIN TENSIONER (GD)	1	
6	12837HP7600	GASKET,TENSIONER ADJUSTER (GT)	1	
7	12830H88600	ADJUST ASSY,TENSIONER(GT125RAT)	1	
8	07110-06208	BOLT,FRONT FENDER LH (GD,GA-F)	2	
9	12839HN9120	SCREW,TENSIONER ADJUSTER(GT250)	1	
10	12838HP7600	O-RING,ADJUSTER (RX125D)	1	

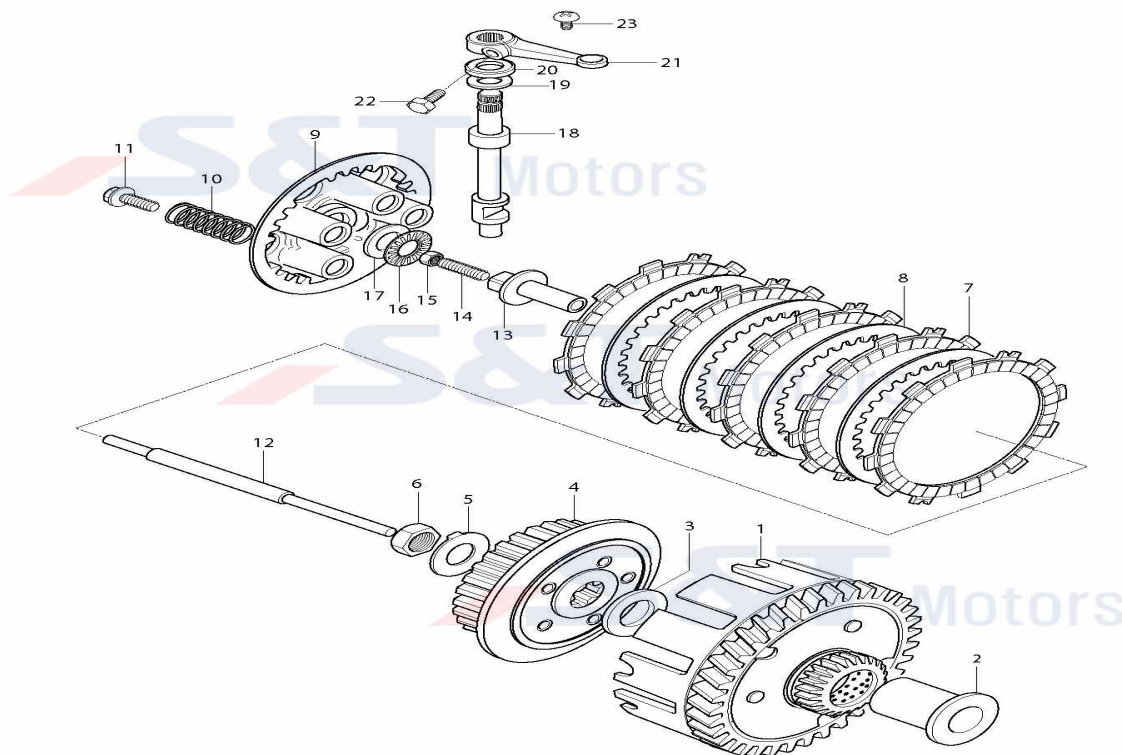
FIG 8



SEQ	PART CODE	PART NAME	U/S	REMARK
1	12711-35C00	CAMSHAFT INTAKE (GD)		1 =12711-35C00888
1-1	12711S35C00HPA	CAM SHAFT INTAKE SET (GD)		1
2	09262H17005	BEARING,CAM SHAFT (GT250)		4 =09262-17019
3	12741H16E00	SPROCKET,CAM SHAFT (GD)		2
4	12747-44B00	WASHER SPROCKET (GD)		2
5	09261-05005	KNOCK PIN,SPROCKET		2
6	09111-06032	BOLT,SPROCKET		4
7	12721-35C00	CAM SHAFT EXHAUST		1 =12721-35C00888
7-1	12721S35C00HPA	CAM SHAFT EXHAUST SET (GD)		1
8	12911HJ8200	VALVE,INTAKE (GV250)		2
9	12912HJ8200	VALVE,EXHAUST (GV250)		2
10	12921HJ8200	VALVE SPRING (GV250)		4
11	12931HJ8200	RETAINER,VALVE SPRING (GV250)		4
12	12932HJ8200	COTTER,VALVE (GV250)		8
13-1	12892-05C00160	SHIM TAPPET (GD)		4
13-2	12892-05C00-165	NULL		4
13-3	12892-05C00170	SHIM TAPPET (GD)		4
13-4	12892-05C00-175	NULL		4

13-5	12892-05C00180	SHIM TAPPET	(GD)	4
13-6	12892-05C00-185	NULL		4
13-7	12892-05C00190	SHIM TAPPET	(GD)	4
13-8	12892-05C00-195	NULL		4
14	12891-16E00	TAPPET	(GD)	4 cor. 12881HJ8200
14-1	12881H88400	TAPPET	(GV250N)	4 =12881HJ8200
15	09289H04002	SEAL,VALVE STEM OIL	(GV250)	4
16	12933HJ8200	SEAT,VALVE SPRING	(GV250)	4

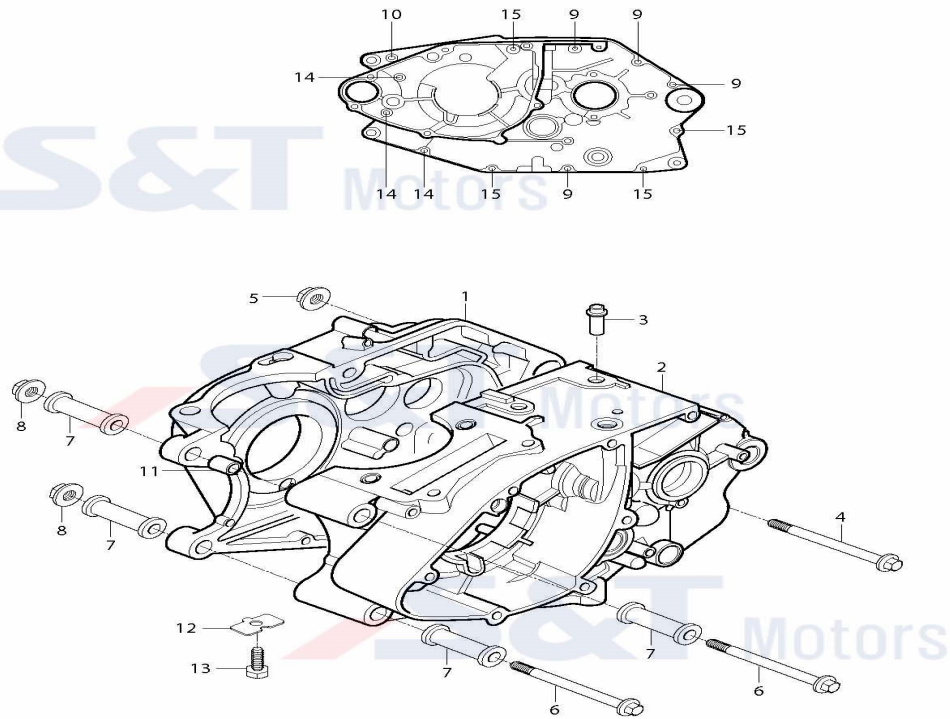
FIG 14



SEQ	PART CODE	PART NAME	U/S	REMARK
1	21210HR7800	GEAR PRIMARY DRIVEN (RT125D)	1	cor. 21210HR7800HPA
1-1	21210HR7800HPA	PRIMARY GEAR SET (RT125D)	1	
2	21251H13E00	SPACER PRIM DRVN GEAR (125CC	1	
3	08211-20352	THRUST WASHER CL SLEEVE HUB	1	
4	21411-05200	HUB,CLUTCH SLEEVE (GV125)	1	
5	09169-16003	WASHER,CLUTCH SLEEVE	1	
6	09140-16014	NUT,CLUTCH SLEEVE	1	
7	21441-13A01	PLATE,CLUTCH DRIVE (GV125)	5	
8	21451-28000	PLATE,CLUTCH DRIVEN	4	
9	21462-14102	DISK,CLUTCH PRESSURE(TN,R,GS)	1	
10	09440-15014	SPRING,CLUTCH	5	
11	09116-05003	BOLT,CLTCH SPRING	5	
12	23110-05202	ROD COMP,CLUTCH PUSH	1	
13	23121-38201	PIECE CLUTCH PUSH (GD)	1	
14	09134-06010	SCREW,CLUTCH RELEASE	1	
15	09140-06023	NUT CLUTCH RELEAS ADJUST(GSX	1	
16	09263-15003	THRUST BEARING,3RD DRIVE	1	
17	09160-15015	THRUST WASHER,CLUTCH RELEASE	1	

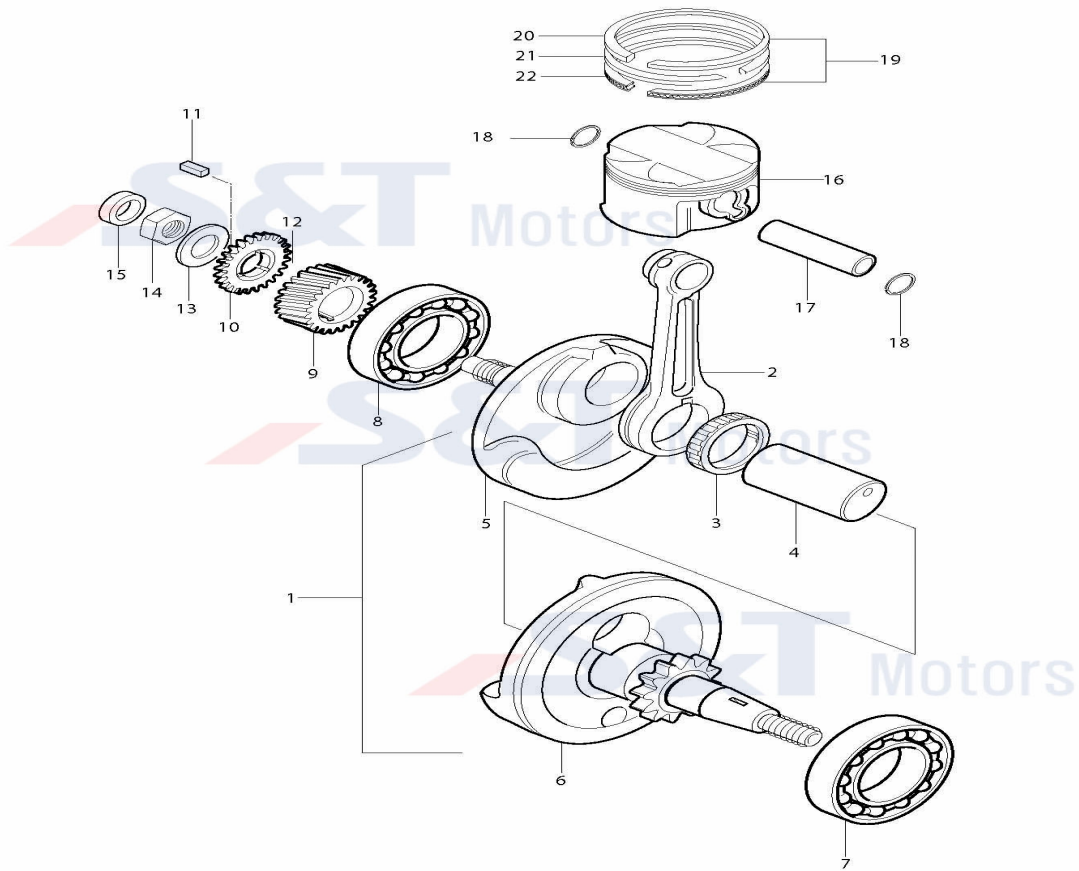
18	23122-05200	CAM SHAFT CLUTCH RELEASE	1
19	08211-10201	THRUST WASHER,CLUTCH RELEASE	1
20	09282-10007	OIL SEAL,CLUTCH RELEASE CAM	1
21	23271HJ8250	ARM,CLUTCH RELEASE (GV250- KEU	1
22	01107-06165	BOLT,CLU RELEASE ARM	1
23	02142-06108	SCREW,KICK STARTER	1

FIG 3



SEQ	PART CODE	PART NAME	U/S	REMARK
1	11310HR7900PCC	CRANK CASE COMP,R (RX125D)	1	
2	11320HR7900PCC	CRANK CASE L (RX125D)	1	
3	09364-12001	UNION,BREATHER HOSE	1	
4	09103-08072	BOLT E/G MOUNT.R/R LOW L (GD)	1	
5	08319-31088	NUT,PILLION FOOTREST	1	
6	09103-08081	BOLT,ENGINE MOUNT L 50	2	
7	11610-29B00	SPACER ENGIN MOUTING	4	
8	08319-31088	NUT,PILLION FOOTREST	2	
9	01547-06758	BOLT,CRANK CASE	4	
10	01547-06808	BOLT,CRANKCASE (GD)	1	
11	04213-13189	PIN,CRANK CASE (GT&GV)	2	
12	11319-05200	PLATE,OIL GALLAY PLUG	1	
13	01904-06108	BOLT,OIL GAL PLATE	1	
14	01547-06558	BOLT,CRANK CASE	3	
15	01547-06608	BOLT,CAM SHAFT HOLDER (GA)	4	

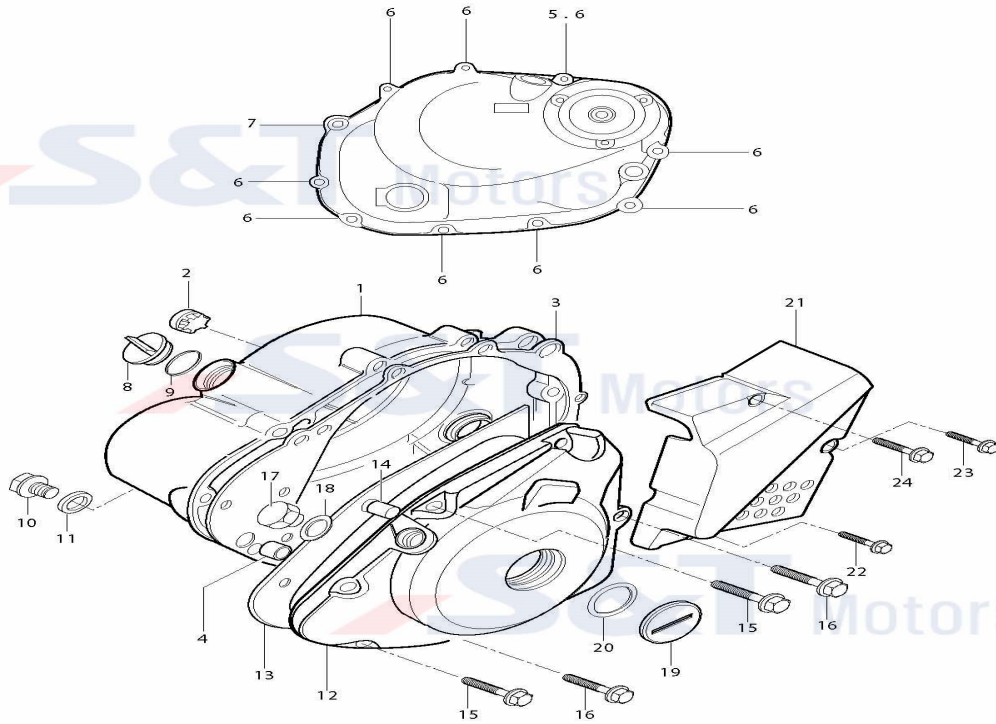
FIG 6



SEQ	PART CODE	PART NAME	U/S	REMARK
1	12200H35C00HPA	CRANK SHAFT ASS'YΦ30 (GD125	1	
1-1	12200H35C02	CRANK SHAFT ASS'Y (RT125D)	1	=12200H35C00HPA
2	12161HJ8200	ROD,CONNECTING (GV250)	1	
3	09263H30003	BEARING,CRANK PIN (GD)	1	
4	12211HF4600HPA	PIN COMP,CRANK (RT/RX)	1	=PIN+BALL
5	12261H35C02CSA	CRANK SHAFT L (125CC)	1	
6	12221HF4600CSA	CRANK SHAFT R (125CC)	1	
7	09262-28003	BEARING,CRANK SH RH 63/28RC3A	1	
8	09262H35002	BEARING,CRANK SHAFT L(RX125SM)	1	
9	21111-35C00	GEAR PRIMARY DRIVE (GD)	1	
10	21112-35C00	GEAR PRIMARY DRIVE NO2 (GSX)	1	
11	09421-04004	KEY,PRIMARY DRIVEN GEAR	1	
12	21114-35C00	SPRING PRIARY DRIVE GEAR(GSX)	3	
13	09166-16012	WASHER,PRIMARY DRIVEN GEAR	1	
14	09140-16019	NUT,PRIMARY DRIVEN GEAR	1	
15	09282-12001	OIL SEAL,CRANK SHAFT RH	1	
16	12111-16E00	PISTON (GT250)	1	=12111-16E00PPS
16-1	12111S16E00HPA	PISTON ASS'Y (GD)	1	

17	12151-30B00	PIN,PISTON (GD,GA-F)	1
18	09381-15001	CIRCLIP,PISTON PIN (GD,GA-F)	2
19	12140-16E00	RING SET,PISTON (GD,GA-F)	1 12141-16E00,12142-16E00,12144-16E00
20	12141-16E00	RING,PISTON 1ST (GD,GA-F)	1
21	12142-16E00	RING,PISTON 2ND (GD,GA-F)	1
22	12144-16E00	RING,PISTON OIL (GD,GA-F)	1

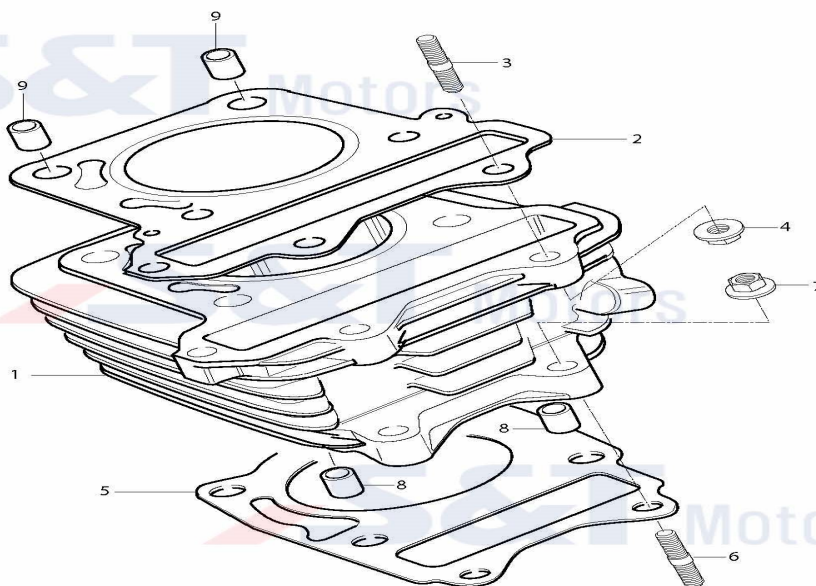
FIG 4



SEQ	PART CODE	PART NAME	U/S	REMARK
1	11340-35C0003S	COVER COMP,CLUTCH (RX125D)	1	
2	11971-45010	LENS,OIL LEVEL (TN,RG,GS)	1	
3	11482H35C01	GASKET,CLUTCH COVER (GD)	1	
4	04211-13189	KNOCK PIN	2	cor. 04213-13189
4-1	04213-13189	PIN,CRANK CASE (GT&GV)	2	
5	09168H06009	GASKET OIL GALLERY PLUG (GD)	1	
6	01547-06308	BOLT,MAGNET&CLUTCH COVER (EZ)	9	
7	01547-06458	BOLT,CLUTCH COVER	1	
8	09259-2000903S	PLUG,ENGINE OIL FILTER (GS)	1	
9	09280-17003	O/RING,ENGINE OIL FILTER	1	cor. 09280H17003
9-1	09280H17003	O-RING,ENGINE OIL FILTER (FX)	1	
10	09247-14026	PLUG,BOLT	1	
11	09168H14003	GASKET,OIL CHECK PLUG (SB)	1	
12	11351-35C0003S	COVER MAGNETO (RX125D)	1	
13	11483H05301	GASKET,MAGNETO COVER (GD)	1	
14	04211-09129	PIN,CLUTCH COVER	1	cor. 04213-09129
14-1	04213-09129	PIN,MAGNETO COVER	1	
15	01547-06258	BOLT,INTAKE HEAD (GV650)	1	

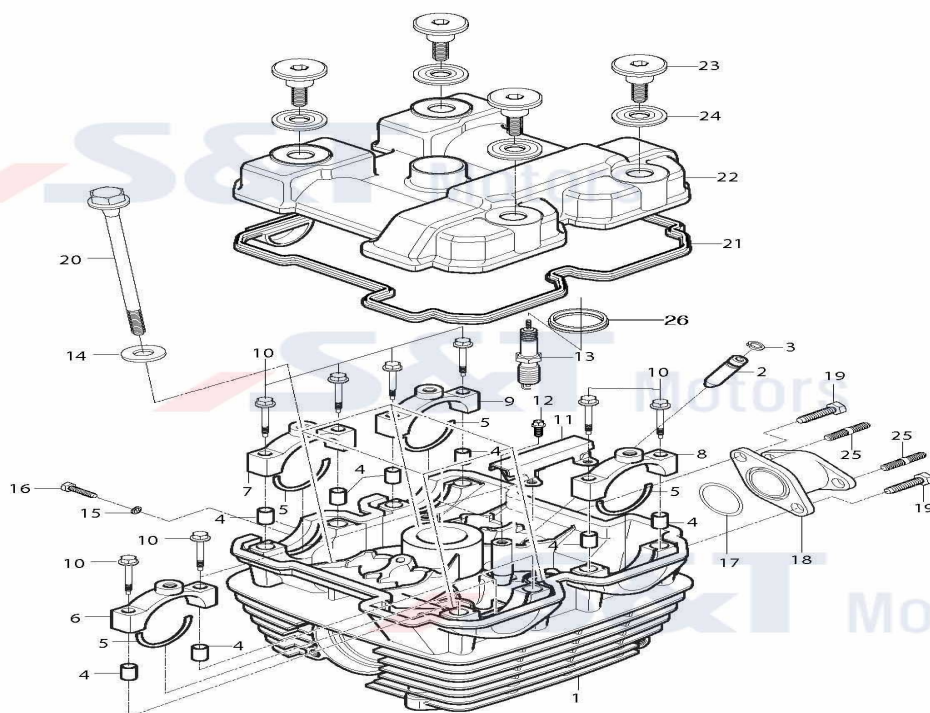
16	01547-06358	BOLT,MAGET&SPROCKET COV	1
17	09247-12103	PLUG MUFF DRAIN	1
18	09168-12002	GASKET,MUFFLER DRAIN	1
19	09259-2000903S	PLUG,ENGINE OIL FILTER (GS)	1
20	09280-22008	O/RING,CRANK SHAFT HOLE PL	1
21	11361HR790003S	COVER,ENGINE SPROCKET (RX125D)	1
22	01547-06258	BOLT,INTAKE HEAD (GV650)	1
23	01547-06458	BOLT,CLUTCH COVER	1
24	01547-06608	BOLT,CAM SHAFT HOLDER (GA)	1

FIG 2



SEQ	PART CODE	PART NAME	U/S	REMARK
1	11210HR7900PCY	CYLINDER COMP,FRONT (RX125D)	1	
2	11141HR7800	GASKET,CYLINDER HEAD (RT125D)	1	
3	01421-06255	STUD BOLT,CYL HEAD	3	
4	08316-16065	NUT,CYLINDER HEAD NO1	3	
4-1	08316-16068	NUT (GV650)	3 [2011/2/16]	
5	11241H35C01	GASKET,CYLINDER (GD)	1	
6	01421-06255	STUD BOLT,CYL HEAD	2	
7	08316-16065	NUT,CYLINDER HEAD NO1	2	
7-1	08316-16068	NUT (GV650)	2 [2011/2/16]	
8	04211-11129	PIN,CYLINDER HEAD KNOCK	2 cor. 04213-11129	
8-1	04213-11129	KNOCK PIN,CYLINDER (GAF)	2	
9	04211-11169	KNOCK PIN,CYLINDER HEAD	2 cor. 04211-11169	
9-1	04213-11169	PIN,CYLINDER HEAD KNOCK (FX)	2	

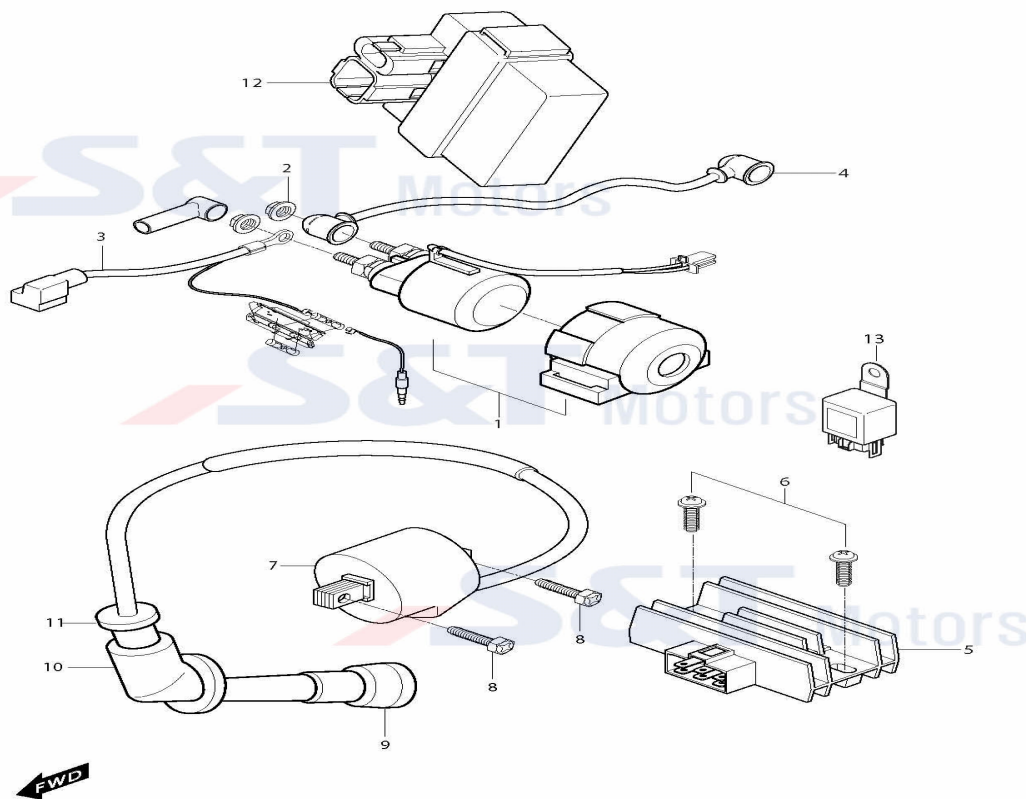
FIG 1



SEQ	PART CODE	PART NAME	U/S	REMARK
1	11100HR7900PCH	HEAD ASSY,CYLINDER (RX125D)	1	cor. 11100SR7900HPA
1-2	11100SR7900HPA	CYLINDER COMP,HEAD (RX125D)	1	
1-1	11100HR7900HPA	HEAD CYLINDER ASS'Y (RX125SM)	1	
2	11115E33D01	GUIDE VALVE (GD)	4	
3	09381-10004	SNAP RING,VALVE GUIDE	4	
4	09206-08001	PIN,MAGNET COVER (GT&GV)	8	
5	09390-35001	C-RING	4	
6	11121M35C00	HOUSING, CAM SHAFT NO1 (GD)	1	
7	11122M35C00	HOUSING, CAM SHAFT NO2 (GD)	1	
8	11123M35C00	HOUSING, CAM SHAFT NO3 (GD)	1	11123-35C00PCH
8-1	11123-35C00PCH	HOUSING CAM SHAFT (GD)	1	
9	11124M35C00	HOUSING, CAM SHAFT NO4 (GD)	1	cor. 11124-35C00PCH
9-1	11124-35C00PCH	HOUSING CAM SHAFT (GD)	1	
10	09103-06013	BOLT (GD)	8	
11	12782-35C00	GUIDE CAM CHAIN NO.2 (GSX)	1	
12	01517-06125	BOLT,COVER CYLINDER HEAD	2	
13	09482-00456HAS	SPARK PLUG(CR8E)	1	
14	09168-08021	GASKET CYLINDER HEAD BOLT	4	

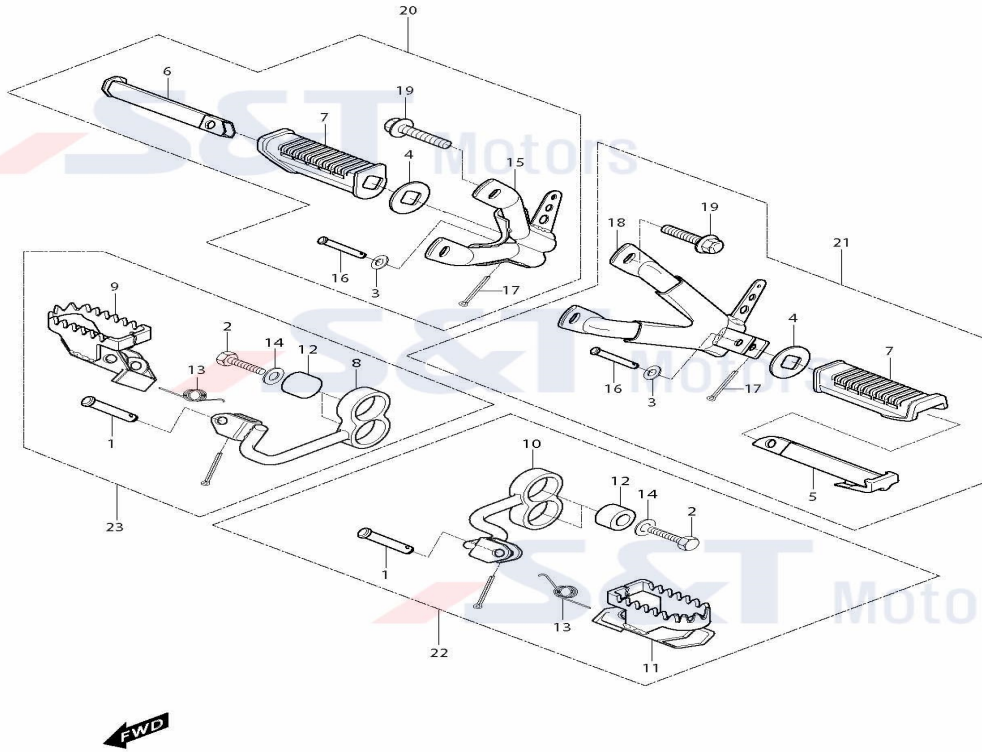
15	09168H06009	GASKET OIL GALLERY PLUG (GD)	2
16	01517-06125	BOLT,COVER CYLINDER HEAD	2
17	09280-36004	O-RING INTAKE PIPE (GD)	1
18	13110HR7800	PIPE COMP,INTAKE (RT125D)	1
19	02122-06208	SCREW,CRANK OUTER	2
25	09103-08305	BOLT CYLINDER HEAD L140 (GD)	4
21	11173-35C00	GASKET CYL/HEAD COVER NO.1	1
22	11171-35C0003S	COVER,CYLINDER HEAD (RX125D)	1
23	09106-07009	BOLT CYL/HEAD COVER L5.5	4
24	09161-11008	WASHER CYLINDER HEAD COVER	4 cor. 09161H11008
24-1	09161H11008	WASHER,CYLINDER HEAD COVER(GD)	4
25	01421-06168	STUD BOLT,CYLINDER 2	2
26	11178-17E00	GASKET CYL/HEAD COVER NO.2	1

FIG.20



SEQ	PART CODE	PART NAME	U/S	REMARK
1	31800HG5100	RELAY ASS'Y STARTING MOTOR (GV)	1	
2	08316-26066	NUT, REAR COMBI LAMP	2	
3	36740HG5800	FUSE CASE ASS'Y (RX)	1	
4	33850HG5800	LEAD WIRE, STARTER MOTOR (RX)	1	
5	32800HN9110	RECTIFIER REGULATOR ASSY (GT650)	1	
5-1	93280HG5800	BRACKET SET, REGULATOR (RX125)	1	
5-1-1	32800HN9150	RECTIFIER REGULATOR (GV125CN)	1	[2011/9/6]
5-1-2	01517-06166	BOLT, STEERING LOCK (GV)	1	[2011/9/6]
6	01174-05208	BOLT, HOUSING & HEAD LAMP (GT650)	2	
7	33410HG5800	COIL ASS'Y, IGNITION (RX)	1	
8	02112-46208	SCREW, ADJUSTER	2	
9	33541-23E01	SEAL SPARK PLUG (GD)	1	
10	33510-05C01	CAP, SPARK PLUG (GV)	1	
10-1	33500H88412	CAP ASSY, SPARK PLUG (GV250N)	1	
11	33542-24D00	SEAL HIGH TENSION CORD (GSX)	1	
12	32900HR7900	CDI UNIT (RX125D)	1	
13	38740HD8550	RELAY ASS'Y (GD250R)	1	

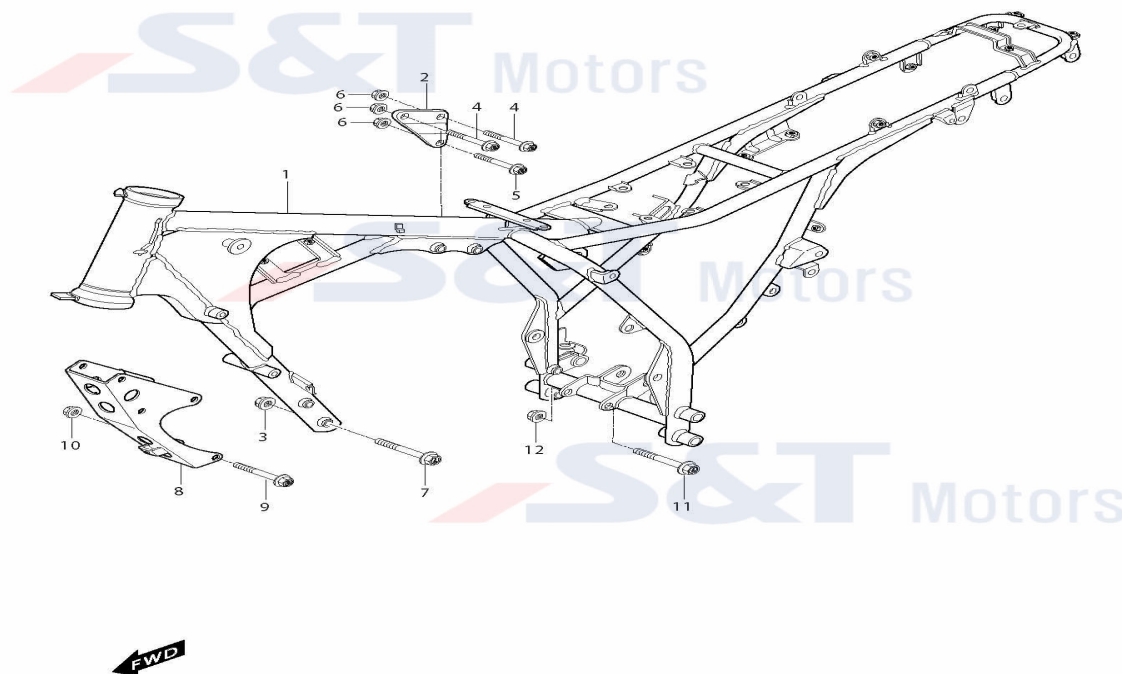
FIG 29



SEQ	PART CODE	PART NAME	U/S	REMARK
1	09200-10008	PIN,FRONT FOOTREST BKT (RX)	2	
2	09116H10061	BOLT,FRONT FOOTREST BAR	4	
3	08322-21068	WASHER HEAD LAMP AIMING	2	
4	43631-34A00	WASHER,FOOTREST RUBBER	2	
5	43710-12B01	BAR COMP,PILLION FOOT L (RX)	1	
6	43610-12B01	BAR COMP,PILLION FOOTREST R(RX)	1	
7	43551-29B21	RUBBER,PILLION FOOTREST (RX)	2	
8	43510HG5801	BAR COMP,FRONT FOOTREST R (RX)	1	
8-1	43510H75801HPA	BAR,FRONT FOOTREST R (RX125SM)	1 SET	
9	43550HG5800	FOOTREST COMP,FRONT R (RX)	1	
10	43520HG5801	BAR COMP FRONT FOOTREST L (RX)	1	
10-1	43520H75802HPA	BAR,FRONT FOOTREST L (RX125SM)	1 SET	
11	43560-08B10	FOOTREST COMP,FRONT L (RX)	1	
12	09319-10033	BUSH,FRONT FOOTREST	4	
13	09448H16001	SPRING (GA)	2	
14	08322-21108	WASHER	4	

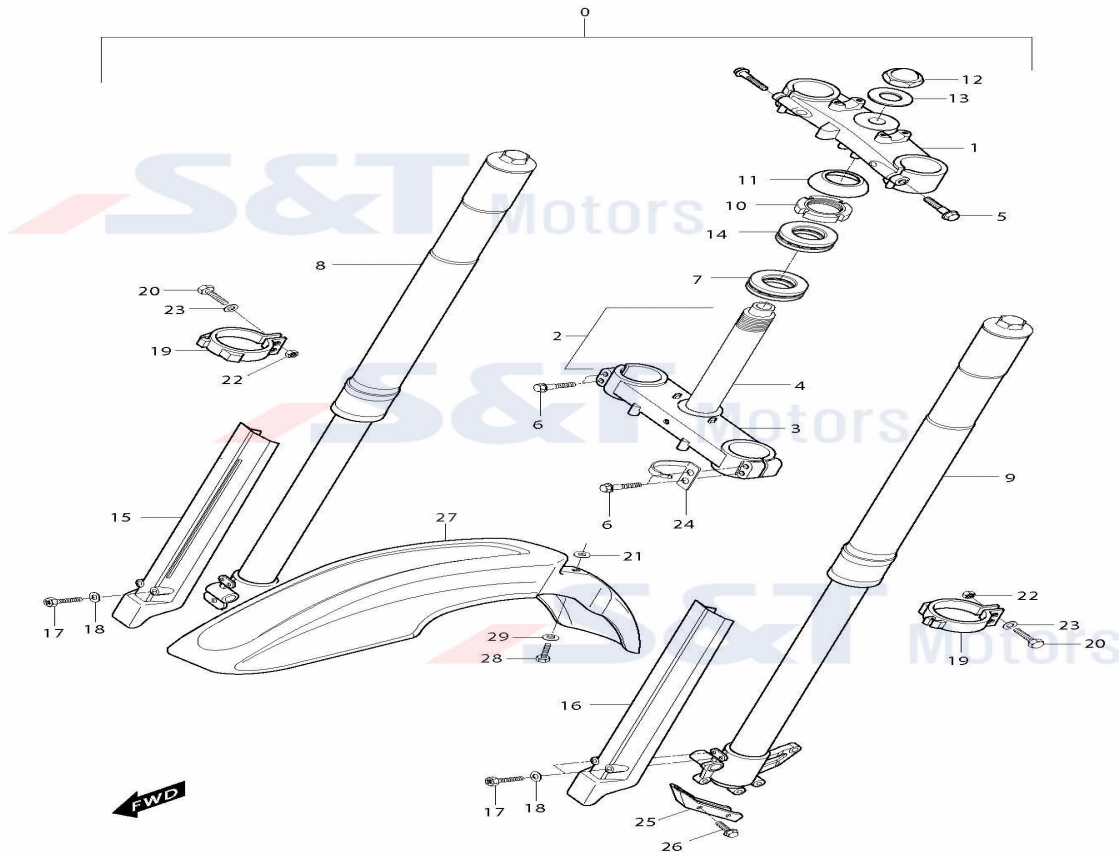
15	43650HG580003P	BRACKET PILLION FOOTREST R(RX)	1 PEARL METALLIC
16	09200H06057	PIN PILLION FOOTREST (GD)	2
17	04111-20208	COTTER PIN	2
18	43750HG580003P	BRACKET COMP PILLION FOOT L(RX)	1 PEARL METALLIC
19	01517-08168	BOLT REAR AXLE BRI HOUSING	4
20	43650HG5800HPA	BRACKET PIL/FOOTREST R ASSY(RX)	1 SILVER
21	43750HG5800HPA	BRACKET PIL/FOOTREST L ASSY(RX)	1 SILVER
22	43520HG5801HPA	BAR FT FOOTREST L ASSY (RX125)	1 OLD
23	43510HG5801HPA	BAR FOOTREST R ASS'Y (RX125)	1 OLD

FIG.26



SEQ	PART CODE	PART NAME	U/S	REMARK
1	41100HR790003P	FRAME COMP (RX125D)	1	PEARL METALLIC
2	41993HR790003P	PLATE,E/G MOUNT'G UPP R(RX125D)	1	PEARL METALLIC
3	41994HG580103P	PLATE,ENGINE MTG UPPER L (RX)	1	PEARL METALLIC
4	01517-08608	BOLT,ENGINE MOUNTING UPPER(RX)	2	
5	01517-08508	BOLT,CHAIN ADJUSTER SP	1	
6	08319-31088	NUT,PILLION FOOTREST	3	
7	01517-08658	BOLT,ENGINE MOUNT,LOW	2	
8	41990HG580103P	BRACKET,ENGINE MTG LOWER (RX)	1	PEARL METALLIC
9	09103H10149	BOLT,ENGINE MOUNT L80	2	
10	08319-31108	NUT,FRONT SORBER	2	
11	09103-08010	BOLT,ENGINE MOUNT L 90	1	
12	08319-31088	NUT,PILLION FOOTREST	1	
13	42511HG5850	GUARD,ENGINE (RX)	1	
14	02142-06125	SCREW,COVER LEG SHIELD	3	
15	09169-06034	WASHER,LEG SHIELD	3	
16	08319-31088	NUT,PILLION FOOTREST	2	
17	41140HG580303P	TUBE COMP DOWN (RX)	1	PEARL METALLIC

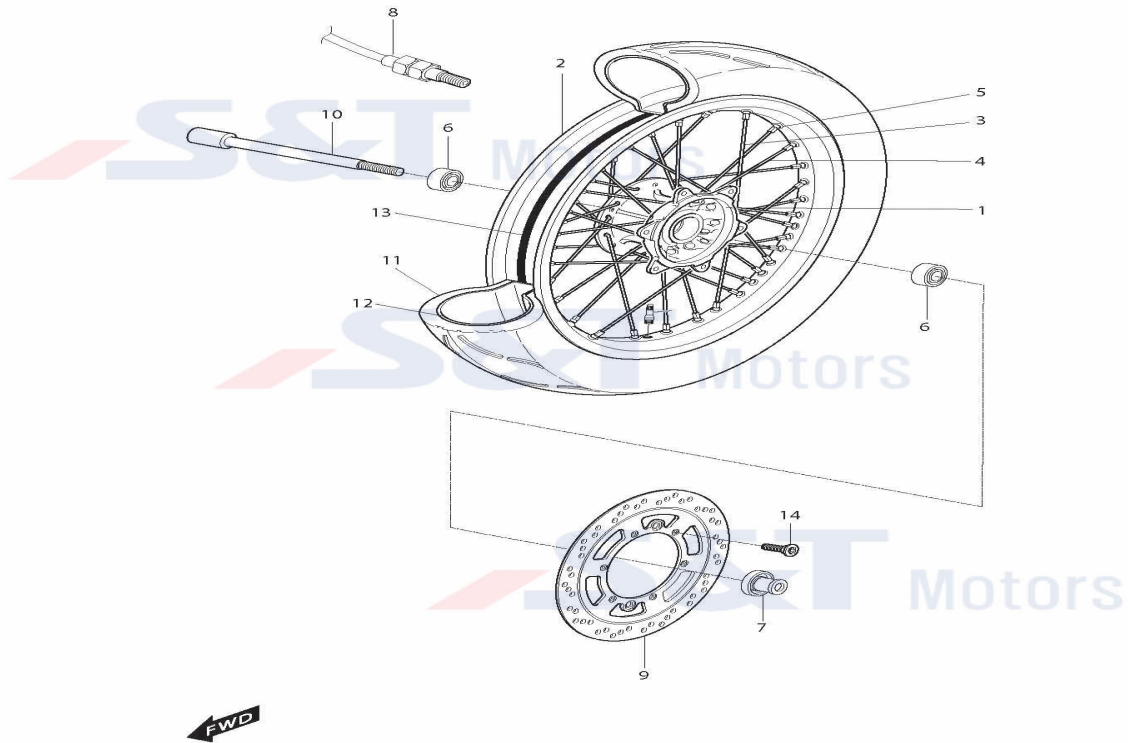
FIG.34



SEQ	PART CODE	PART NAME	U/S	REMARK
1	51311HG581303P	BRACKET,FRONT FORK UPPER (RX)	1	PEARL METALLIC
2	51412HG5800HPA	UNDER BRACKET COMP (RX)	1	
3	51411HG581003P	BRACKET,FRONT FORK UNDER (RX)	1	PEARL METALLIC
4	51412HG5811	STEERING,STEM (RX)	1	
4-1	51412SG5811	STEERING,STEM (RX125)	1	[2011/2/25]
5	01517-10458	BOLT,PILLTON FOOTREST RH	2	
6	01517-08468	BOLT E/G M.T.G UPPER (GV650)	4	
7	09265H25001	BEARING,STEERING UPPER (RX)	1	
8	51103HG5801	FORK COMP,FRONT R (RX)	1	
9	51104HR7900	DAMPER,FRONT FORK L (RX125D)	1	
9-1	51255HG5800	OIL SEAL,FT FORK (RX)	2	
10	51631-28000	NUT,STEERING	1	
11	51643HG5801	DUST SEAL,STEERING UPPER (RX)	1	
12	09159H22001	NUT,STEERING UPPER (RX)	1	
12-1	09159H22102	NUT,STEERING UPPER (GT650RN)	1	
13	09160H22031	WASHER,STEERING UPPER (RX)	1	
14	09265H28001	BEARING,STEERING LOWER (RX)	1	

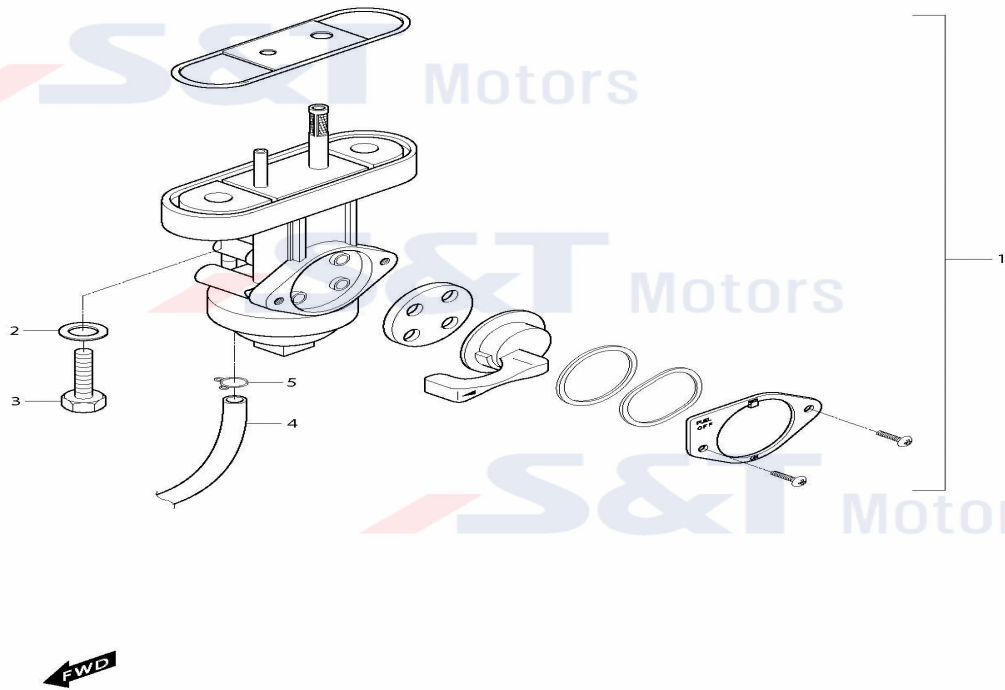
15	51201HG580011B	PROTECTOR,FRONT FORK R (RX)	1
15-1	51201HG58002A0	PROTECTOR,FRONT FORK R (RX)	1
16	51202HG580011B	PROTECTOR,FRONT FORK L (RX)	1
16-1	51202HG58002A0	PROTECTOR,FRONT FORK L (RX)	1
17	02142-05125	SCREW,HANDEL COVER FRONT&REAR	4
18	09169-05008	WASHER,HANDLE COVER NO1	4
19	51210HG5801	GUARD,FRONT FORK PROTECT (RX)	2
20	02112-05258	SCREW,ENGINE SPROCKET COVER	4
21	09169-06053	WASHER GUIDE UPPER SIDE (GD)	1
22	08316-26055	NUT,FRONT TURN SIGNAL LAMP	4
23	08322-21058	WASHER,HEAD LAMP UNIT	4
24	59266HG5800	CLAMP,BRAKE HOSE NO1 (RX)	1
25	59268HG5801	CLAMP,BRAKE HOSE (RX)	1
26	01517-06125	BOLT,COVER CYLINDER HEAD	2
27	53110HR79000BK	FENDER FRONT (RX125D)	1
27-1	53110HR79000OE	FENDER FRONT (RX125D)	1
28	01104-06208	BOLT,TENSIONAL ADJUSTER	4

FIG.35



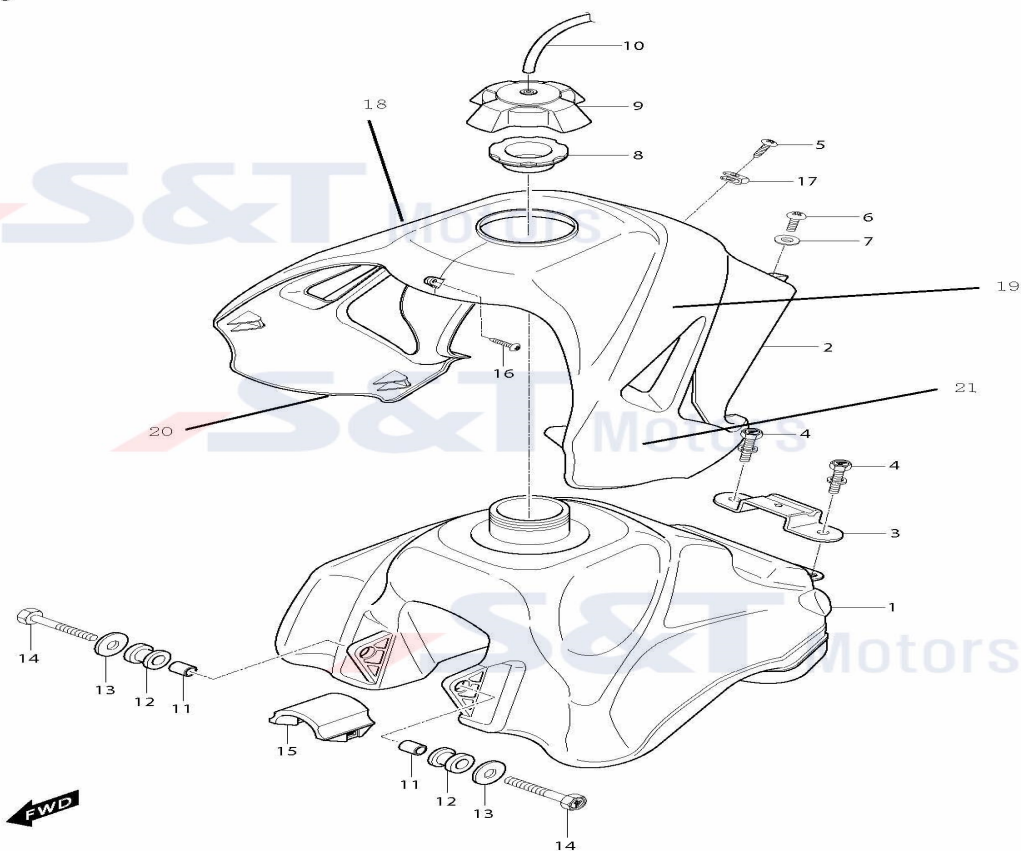
SEQ	PART CODE	PART NAME	U/S	REMARK
0	54110HG5806HPA	FRONT WHEEL ASS'Y (RX)	1	
0-1	54110H75800120	FT WHEEL+TIRE	1	BLACK
0-2	54110S75800HPA	FRONT WHEEL ASS'Y (RX125SM)	1	
0-3	54110S75800120	FT WHEEL ASSY	1	BLACK
1	54110HG5806	HUB,FRONT (RX)	1	
2	55311H75800	RIM,FRONT WHEEL (RX125SM)	1	
2-1	55311HG5850	RIM,FRONT WHEEL(1.6*21 FE)(RX)	1	
3	55321HG5801	SPOKE FRONT WHEEL INNER (RX)	18	
4	55322HG5801	SPOKE,FRONT WHEEL OUTER (RX)	18	
5	65325-03020	NIPPLE (FX ECO)	36	
6	08123-62027	BEARING,FT HUB R 6202DC3	2	
7	54731HG5800	SPACER FRONT AXLE (RX)	1	
8	34860HR7900	SENSOR,SPEEDMETER (RX125D)	1	
9	59211HR7900	DISC,FRONT BRAKE (RX125D)	1	
10	54711HG5810	AXLE,FRONT (RX)	1	
11	55100HG5800	TIRE COMP,FRONT(2.75-21,49P)(RX)	1	
12	55200-16510	TUBE,WHEEL (MX)	1	
13	55261-16510	PROTECTOR,TUBE	1	

FIG.31



SEQ	PART CODE	PART NAME	U/S	REMARK
1	44300HG5802	FUEL COCK (RX)	1	
2	09168-06010	GASKET FUEL LEVEL GAUGE (GA)	2	
3	01547-06148	BOLT,BRACKET PILLION (GA)	2	
4	44191HG5800	HOSE,FUEL (L=140) (RX)	1	
5	09401-08401	CLIP,FUEL HOSE (GPS)	1	

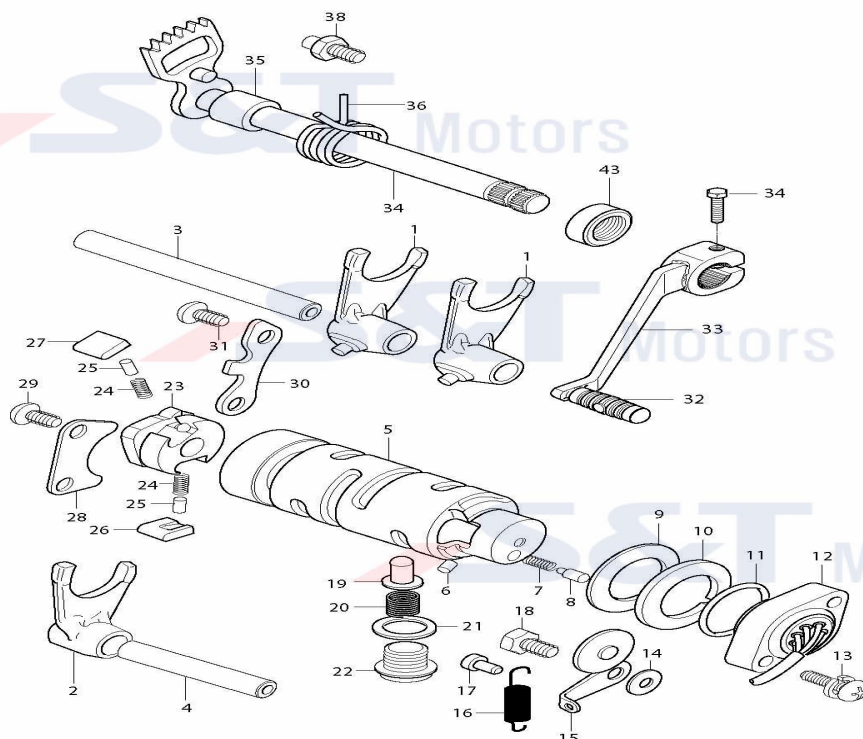
FIG.30



SEQ	PART CODE	PART NAME	U/S	REMARK
1	44110HR7900PAH	FUEL TANK COMP (RX125D)	1	
2	44500HR79500BK	COVER,FUEL TANK (RX125D)	1	
2-1	44500HR79500OE	COVER,FUEL TANK (RX125D)	1	
3	45119HG5800	PLATE,SEAT FRONT HOOK (RX)	1	
4	01137-06208	BOLT,EXHAUST PIPE	2	
5	03241-15125	SCREW,CENTER FENDER	1	
6	02142-06125	SCREW,COVER LEG SHIELD	2	
7	09169-06034	WASHER,LEG SHIELD	2	
8	44248-05210	GASKET,F/CAP	1	
9	44210HG5801	CAP,FUEL TANK FILTER (RT125)	1	
10	09343-05052	HOSE,FUEL	1	
11	09180H06069	SPACER,FUEL TANK (TE50)	2	
12	09320H10038	CUSH,FUEL TANK FRONT (RX)	2	
13	09160-06004	WASHER	2	
14	01104-06258	BOLT,BRAKE PEDAL	2	
15	44541HG5800	CUSHION FUEL TANK UPPER (RX)	1	
16	03241-15125	SCREW,CENTER FENDER	1	
17	09148-05004	NUT	1	

18	68124HR795017A	TAPE,FUEL TANK NO.2 R (RX125D)	1
18-1	68124HR795011B	TAPE,FUEL TANK NO.2 R (RX125D)	1
19	68126HR795017A	TAPE,FUEL TANK NO.2 L (RX125D)	1
19-1	68126HR795011B	TAPE,FUEL TANK NO.2 L (RX125D)	1
20	68114HR79500B2	TAPE,FUEL TANK NO.1 R (RX125D)	1
20-1	68114HR79500B1	TAPE,FUEL TANK NO.1 R (RX125D)	1
21	68116HR79500B2	TAPE,FUEL TANK NO.1 L (RX125D)	1
21-1	68116HR79500B1	TAPE,FUEL TANK NO.1 L (RX125D)	1
22	68319H05351PL	LABEL,CAUTION□□GT/GV/RT/RX	1

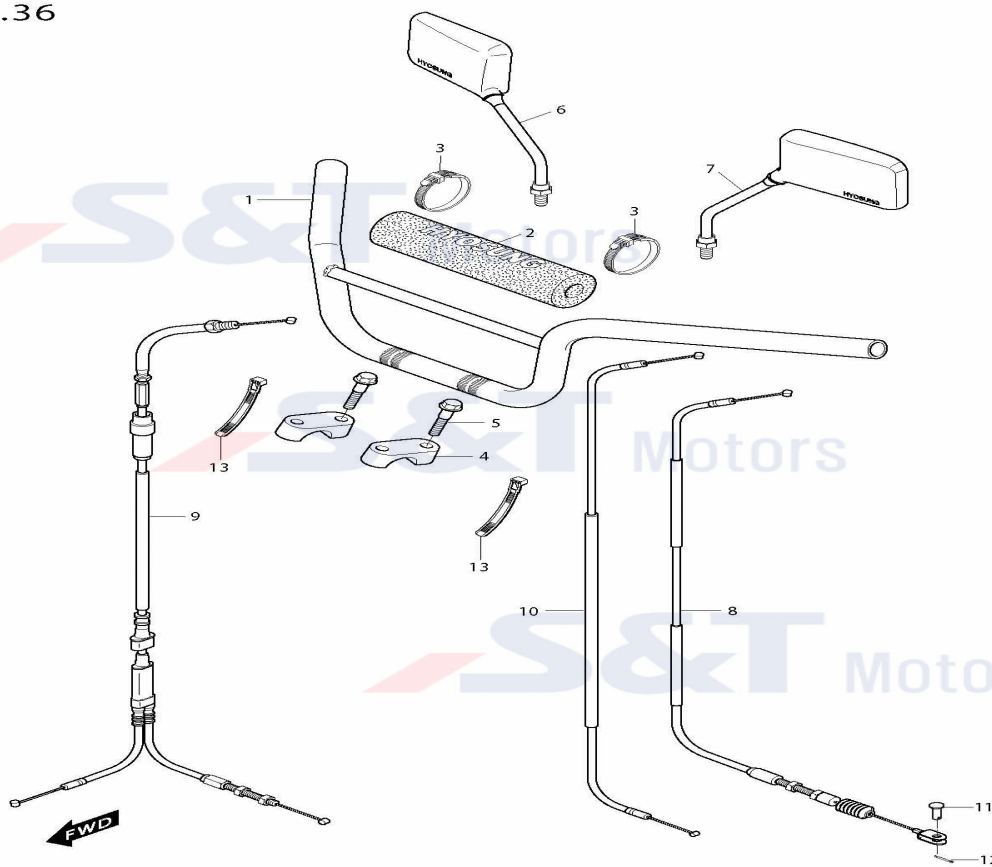
FIG 16



SEQ	PART CODE	PART NAME	U/S	REMARK
0	25310S05200HPA	CAM GEAR SHIFT ASS'Y(GA,GD,TN)	1	
1	25211-05200	FORK,GEAR SHIFT NO1(TN,RG,GS)	2	
2	25231-05201	FORK,GEAR SHIFT NO3(TN,RG,GS)	1	
3	25411-05201	SHAFT GEAR SHIFT FORK NO1	1	
4	25421-35403	SHAFT SHIFT FORK (GV250N)	1	
5	25310-05300	CAM,GEAR SHIFT	1	
6	04221-04069	PIN,GEAR SHAFT CAM	1	
7	09440-04010	SPRING,GEAR SWITCH	1	
8	09209-05011	CONTACT,GEAR S SWITCH	1	
9	08211-25401	WASHER,GEAR SHIFT CAM	1	
10	25381-45400	PLATE,GEAR SHIFT CAM STOPPER	1	
11	09280-26007	O-RING GEAR SHIFT SWITCH (GD)	1	
12	37720HR7900	SWITCH ASS'Y NEU (RX125D)	1	
13	02112-95208	SCREW	2	
14	08211-06141	WASHER,GEAR SHIFT CAM	1	
15	25350-44A00	STOPPER GEAR SHIFT CAM(GD,GA-F)	1	
16	09443-08044	SPRING GEAR SHIF CAM STOP	1	
17	09223-04001	HOOK,GEAR SHIFT CAM	1	

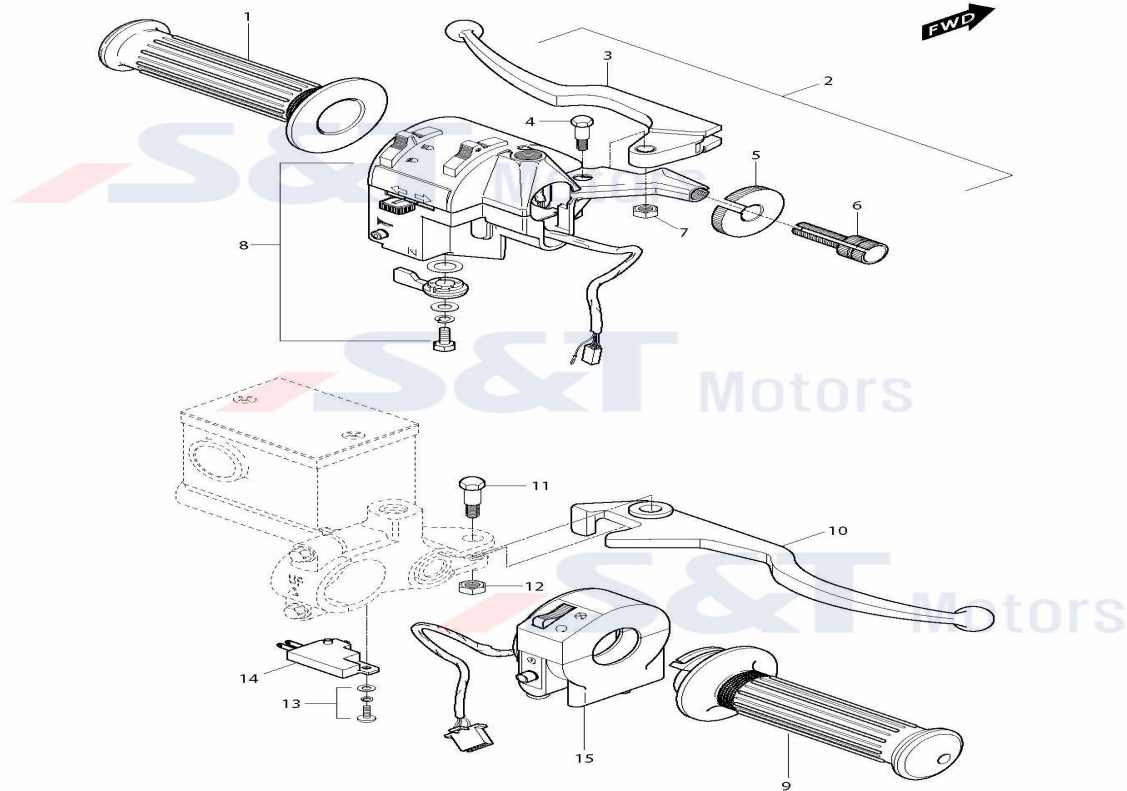
18	09111-06019	BOLT,GEAR SHIFT CAM STOP	1
19	25351-30010	STOPPER,GEAR SHIFT CAM N.	1
20	09440-11016	SPRING GEAR SHIFT CAM STOP	1
21	09168H14003	GASKET,OIL CHECK PLUG (SB)	1
22	09247-14026	PLUG,BOLT	1
23	25322-31301	GEAR,SHIFT CAM DRVN(TN,RG,GS)	1
24	09440-04003	SPRING,GEAR SHIFT PLATE	2
25	09261-05003	PIN,GEAR SHIFT	2
26	25323-34201	PAWL,GEAR SHIFT NO1(TN,RG,GS)	1
27	25324-34201	PAWL,GEAR SHIFT NO2(TN,RG,GS)	1
28	25331-30000	LIFTER,GEAR SHIFT (TN,RG,GS)	1
29	02122-96128	NULL	2
30	25341-05200	GUIDE,GEAR SHIFT CAM	1
31	02122-06128	SCREW,OL GR SH	2
32	25652HG5800	RUBBER,GEAR SHIFT (RX)	1
33	25600HG5802	LEVER ASSY,GEAR SHIFT CAM (RX)	1
34	25510-05400	SHAFT SET,GEAR SHIFT (TN,RG)	1
35	09180-12068	SPACER,SHAFT GEAR SHTG	1
36	09444-26013	SPRING	1
37	09285-12002	OIL SEAL,GEAR SHIFT (GV250)	1
38	25671-01000	STOPPER,GR SHIFT	1

FIG.36



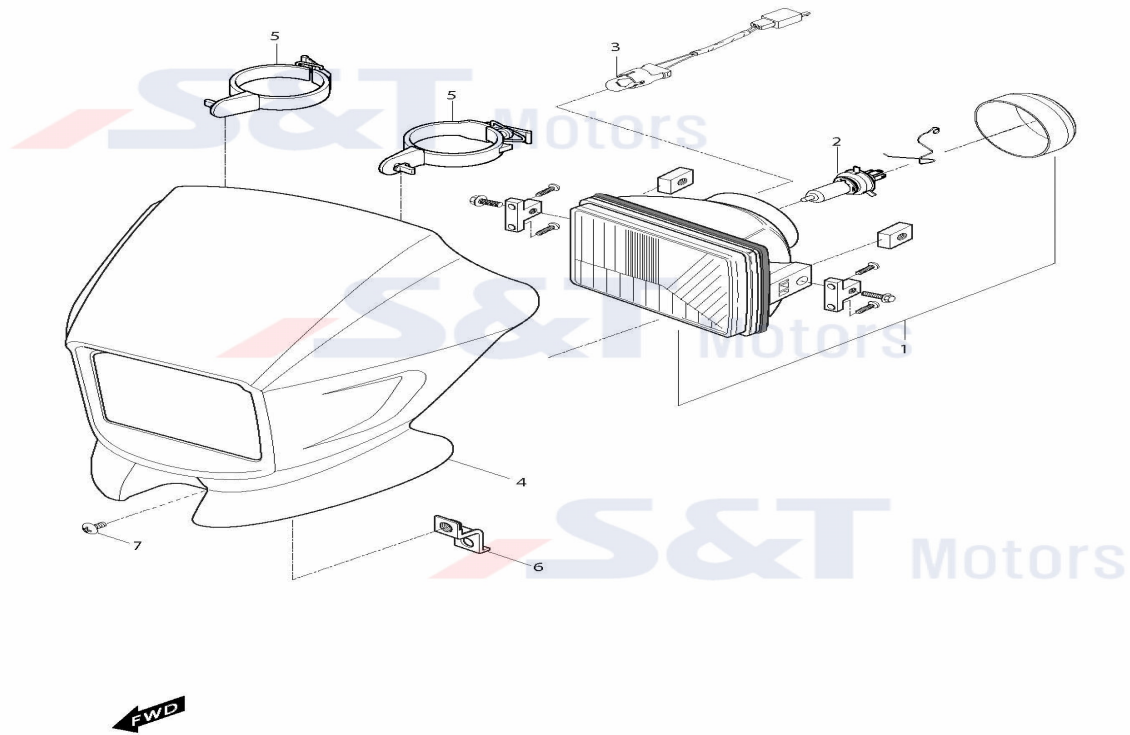
SEQ	PART CODE	PART NAME	U/S	REMARK
1	56110HG5856PAM	HANDLE BAR (RX125	1	
2	56172HG5800HAS	PAD CROSSBAR (RX)	1	
3	09407-18401	CLAMP,WIRING HARNESS	2	
4	56211-272A0	CLAMP,HANDLE HOLDER	2	
5	01517-08355	BOLT,HANDLE BAR HOLDER (RX)	4	
6	56500HM5450	MIRROR ASS'Y,REAR VIEW R(GT125	1	
7	56600HM5450	MIRROR ASS'Y,REAR VIEW L(GT125	1	
8	58200HR7900	CABLE ASS'Y,CLUTCH (RX125D)	1	
9	58300HG5805	CABLE ASS'Y,THROTTLE (RX)	1	
10	58410HG5808	CABLE ASS'Y,STARTER (RX)	1	
11	09200-06004	PIN,CLUTCH	1	
12	04111-20158	COTTER PIN	1	
13	09407-14403	CLAMP,STRNINER(125MM) (EZ)	2	
14	56501HM5450	MIRROR SET□□□ (RT125)	1	
15	56271HF4501PLT	BALANCER HANDLE BAR (GPS)	2	
16	07110-08258	BOLT,FRAME JOINT	2	

FIG.37



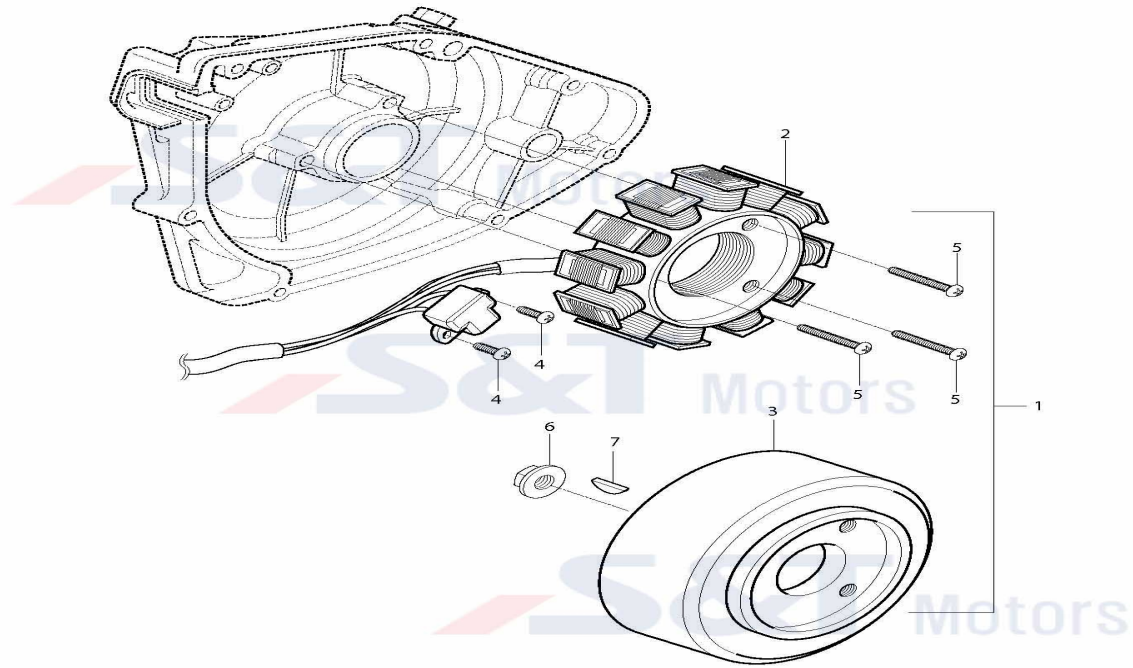
SEQ	PART CODE	PART NAME	U/S	REMARK
1	57211HG5800	GRIP, LH (RX)	1	
2	57500HG5801	LEVER ASS'Y,CLUTCH (RX)	1	
3	57620HG5800	LEVER,CLUTCH (RX)	1	cor.; 57620HN9100
3-1	57620HM8100	LEVER CLUTCH (GT250)	1	
4	57531HN9100	BOLT,CLUTCH LEVER PIVOT(GT650)	1	
5	57442-11010	LOCK,NUT (GD)	1	
6	51411-26010	NULL	1	
7	08319-21065	NUT,BRAKE LEVER	1	
8	37400H35C10	SWITCH ASS'Y,HANDLE L (GD)	1	
9	57110HG5803	GRIP COMP,THROTTLE (RX)	1	
10	57421HN3202	BRAKE LEVER (GT250)	1	
11	57431H05D00	SCREW BRAKE LEVER PIVOT(GT250P)	1	
12	08319-21065	NUT,BRAKE LEVER	1	
13	02112-74108	SCREW	1	
14	57460-17C00	SWITCH ASS'Y STOP (AG,SB)	1	
15	37200HM5401	SWITCH ASS'Y,HANDLE R (RT125)	1	

FIG.22



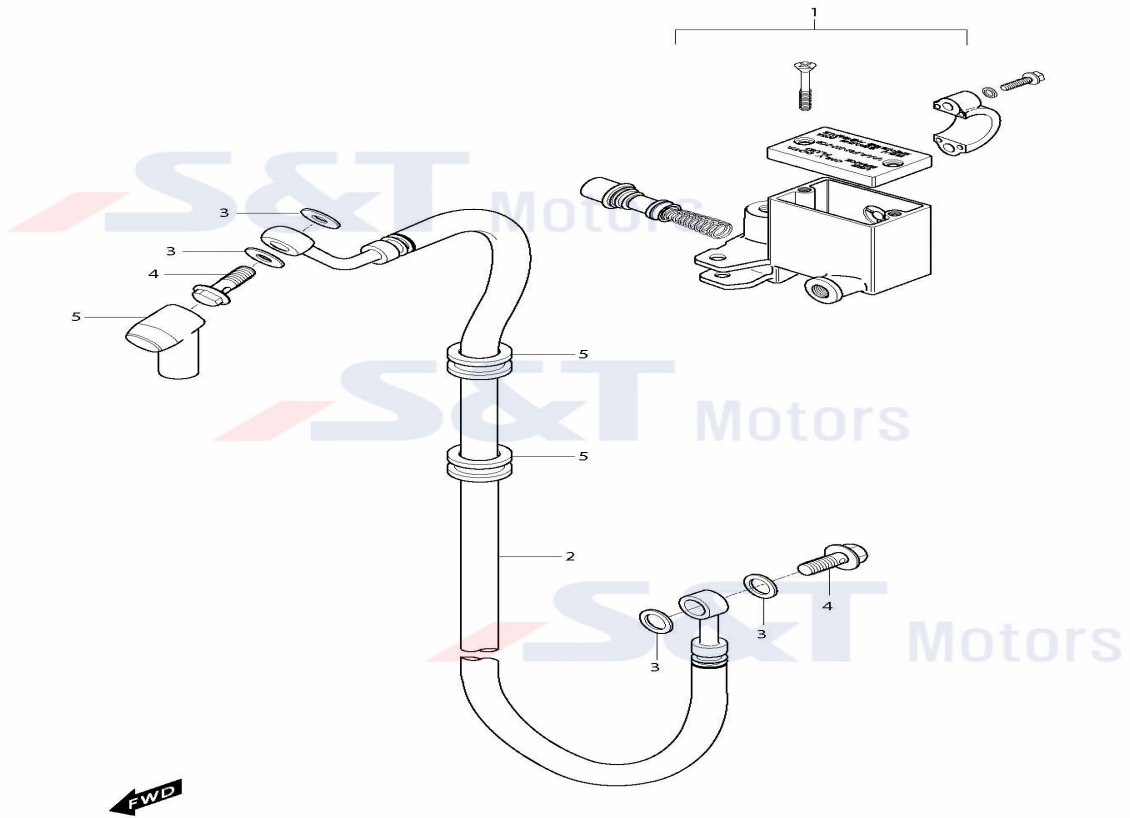
SEQ	PART CODE	PART NAME	U/S	REMARK
1	35100HG5860	HEAD LAMP□□□□ (RX)	1	
2	09471-12104	BULB,HEAD LAMP(H4:60/55W) (RX)	1	
3	09471-12110	BULB,POSITION LAMP(12V W5W)(GA	1	
3-1	09471H12110	BULB,POSITION LAMP (12V 5W)	1 [2011/3/4]	
4	51811HR79000BK	COVER,HEAD LAMP HOUSING(RX125D	1	
4-1	51811HR79000OE	COVER,HEAD LAMP HOUSING(RX125D	1	
5	51815HG5802	BAND,HEAD LAMP HOUSING (RX)	2	
6	51816HG5850	PLATE HEAD LAMP HOUSING (RX)	1	
7	02142-06125	SCREW,COVER LEG SHIELD	1	

FIG 18



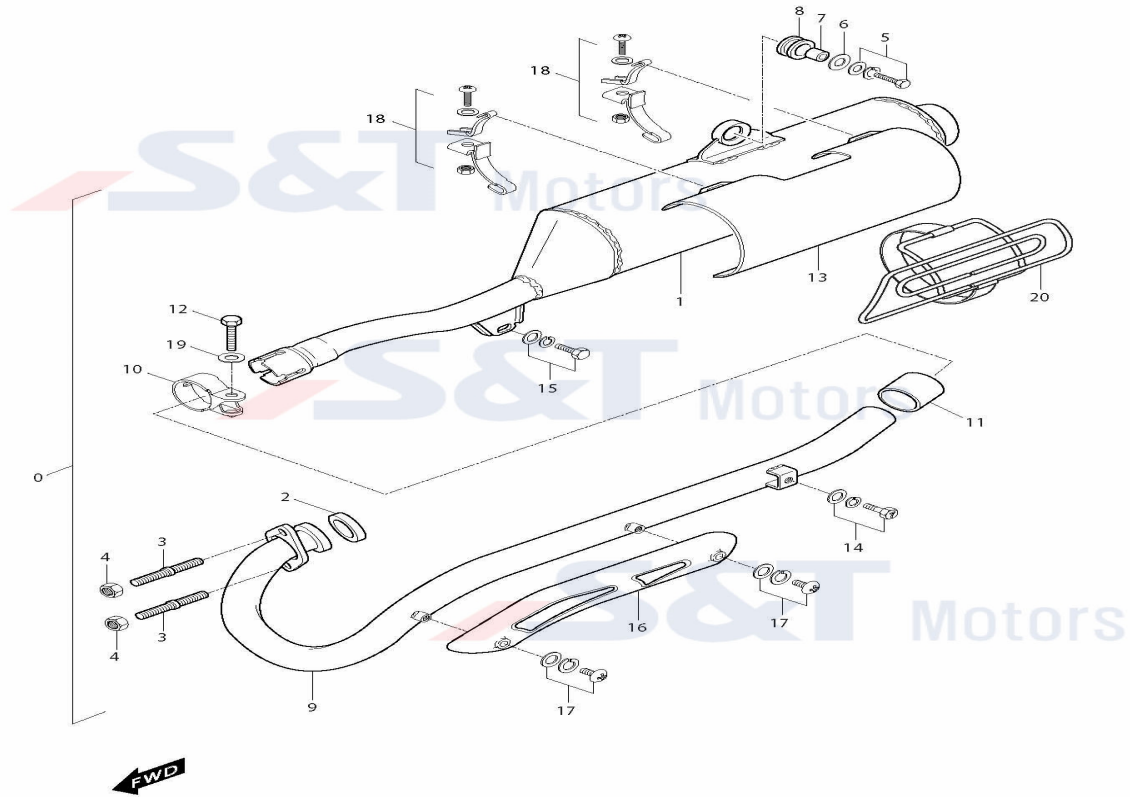
SEQ	PART CODE	PART NAME	U/S	REMARK
1	32100HR7900	MAGNETO ASS'Y (RX125D)	1	
2	32101HR7900	STATOR ASSY (RX125D)	1	
3	32102-35C00	ROTOR FLY WHEEL	1	
4	02112-05128	SCREW,GEAR SHIFT SWITCH	2	
5	02112-05258	SCREW,ENGINE SPROCKET COVER	3	
6	08316-26108	NUT,MAGNET FLY WHEEL (SD)	1	
7	08341-31039	KEY,PRIMARY GEAR MAG	1	

FIG.39



SEQ	PART CODE	PART NAME	U/S	REMARK
1	59600HM8182	CYL ASS'Y,FRONT MASTER (GT)	1	
2	59480HR7900	HOSE COMP,FRONT BRAKE (TE450)	1	
3	09161-10009	WASHER,BRAKE FLUID (FX)	4	
4	09360-10039	BOLT BRAKE FLUID (AG)	2	
5	59711H49002	BOOT,MASTER CYLINDER (TN,GA,GD)	1	
6	59265HG5800	GUIDE BRAKE HOSE (RX)	2	

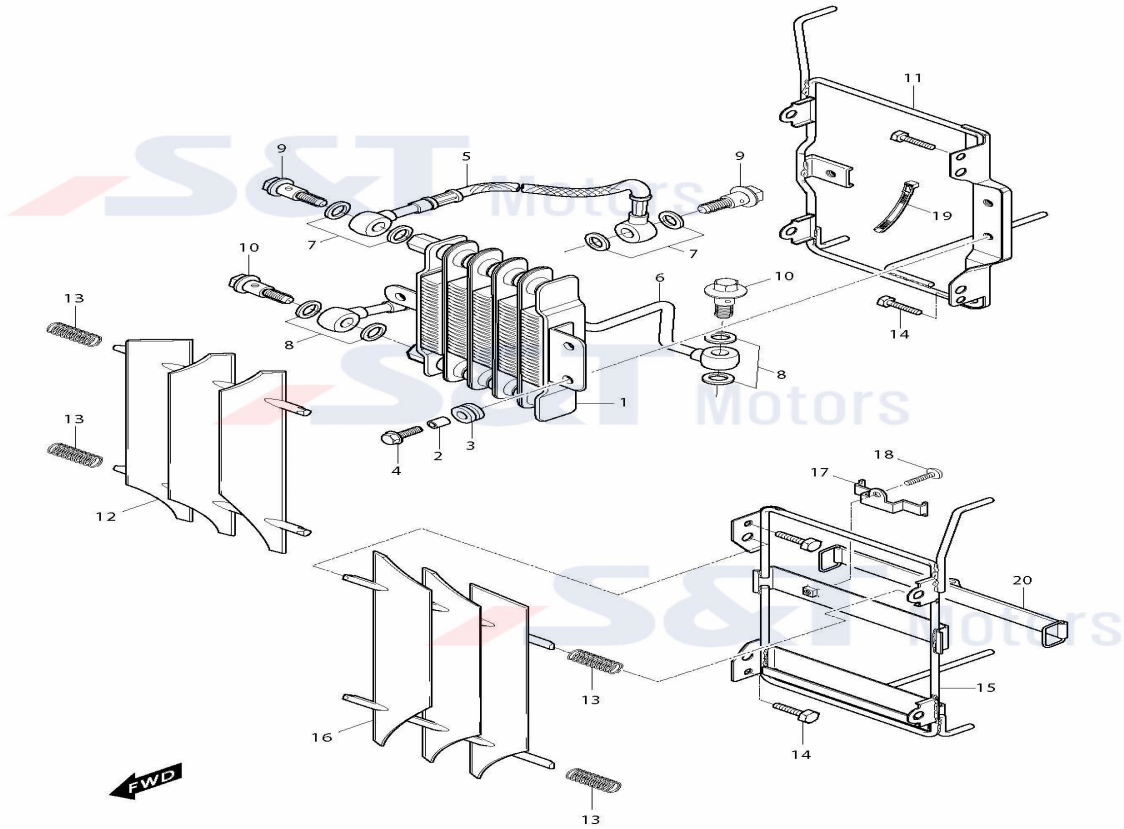
FIG.12



SEQ	PART CODE	PART NAME	U/S	REMARK
0	14305H78650PAH	MUFFLER ASS'Y (GT250FI)	1	
1	14310HR7900PAH	BODY COMP,MUFFLER (RX125D)	1	
2	14181-46E00	GASKET EXHAUST PIPE (GSX)	1	
3	01421-08258	STUD BOLT,EXHAUST PIPE (FX)	2	
4	08316-26086	NUT	2	
5	09118H08041	BOLT,MUFFLER 2ND	1	
6	09160-08002	WASHER,MUFFLER 2ND	1	
7	09180H08102	SPACER	1	
8	09320-12026	CUSHION,MUFFLER SUPPORT FRONT	1	
9	14150HR7900HPA	PIPE COMP,EXHAUST (RX125D)	1	=14150HR7900PAH
10	14770HG5803PAM	CONNECTOR COMP,EXHAUST PIPE	1	=17770HG5802PAM
11	14773HG5800	GASKET,CONNECTOR EXHAUST PI(RX	1	
12	01517-08468	BOLT E/G M.T.G UPPER (GV650)	1	
13	14781HG5803	COVER,MUFFLER (RX)	1	
14	01187-08168	BOLT,FRONT FOOTREST	1	
15	01187-08168	BOLT,FRONT FOOTREST	1	
16	14186HG580103S	COVER,EXHAUST (RX)	1	

17	02112-35088	SCREW,BAFFLE PIPE	2
18	14790HG5801	CLAMP ASSY,MUFFLER COVER (RX)	2
19	08322-21088	WASHER,WHEEL	1
20	14760HG5801	PROTECTOR ASS'Y,MUFFLER BODY	1

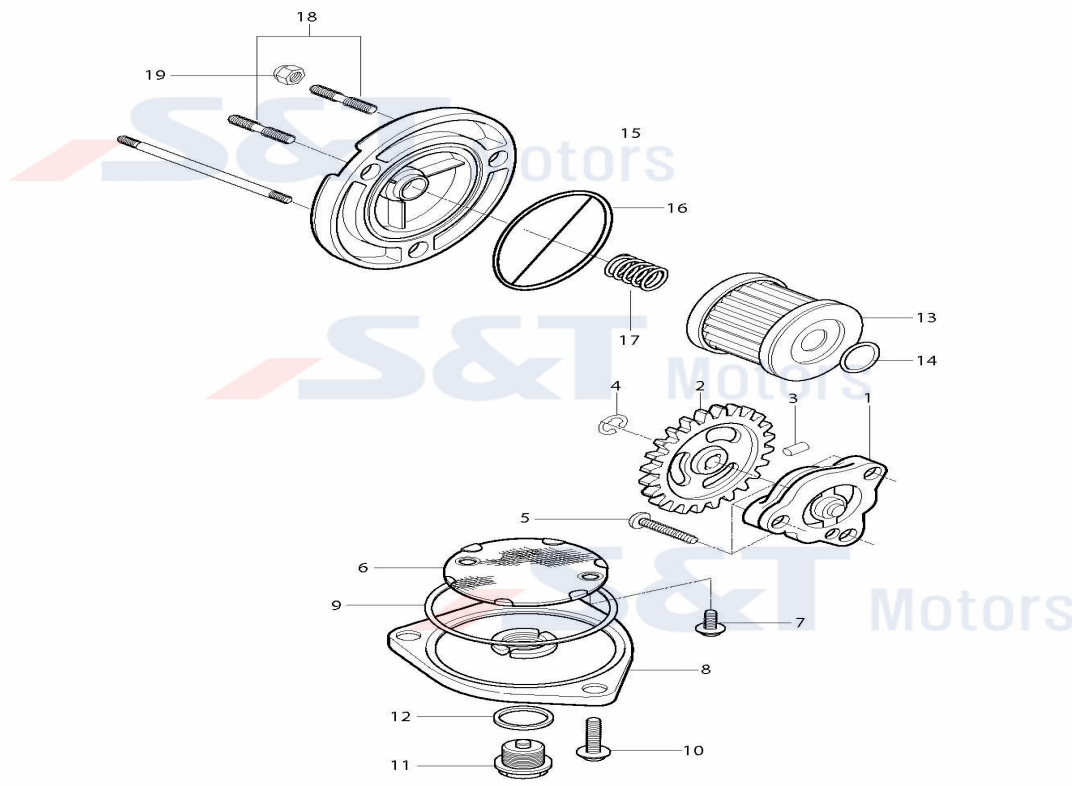
FIG.44



SEQ	PART CODE	PART NAME	U/S	REMARK
1	16600HG5801	COOLER ASS'Y,OIL (RX)	1	
2	09180-06030	SPACER	3	
3	09320-10015	CUSHION OIL COOLER (GA)	3	
4	09116-06143	BOLT OIL COOLER (GSX)	3	
5	16460HG5800	HOSE COMP,OIL COOLER NO1 (RX)	1	
6	16470HR7900	NULL	1	
7	09161-10009	WASHER,BRAKE FLUID (FX)	4	
8	09168-14011	GASKET (GT250)	4	
9	09360H10034	BOLT UNION (GF)	2	
10	09360H12007	BOLT UNION (GA)	2	
11	16640HG5801	BKT COMP OIL COOLER (RX)	1	
12	47531HG5801	GRILLE,OIL COOLER (RX)	1	
13	09440H09001	SPRING,OIL COOLER GRILL (RX)	4	
14	01517-06125	BOLT,COVER CYLINDER HEAD	4	
15	47430HG5802	BRACKET COMP,TOOL BOX (RX)	1	
16	47541HG5801	GRIL,TOOL BOX (RX)	1	
17	41327HE6150	PLATE C.D.I (FXM LEU01)	1	
18	02142-06128	SCREW,BATTERY HOLDER	1	

19	09407-14403	CLAMP,STRNINER(125MM) (EZ)	1
20	09462-000E6	BAND,BATTERY	1

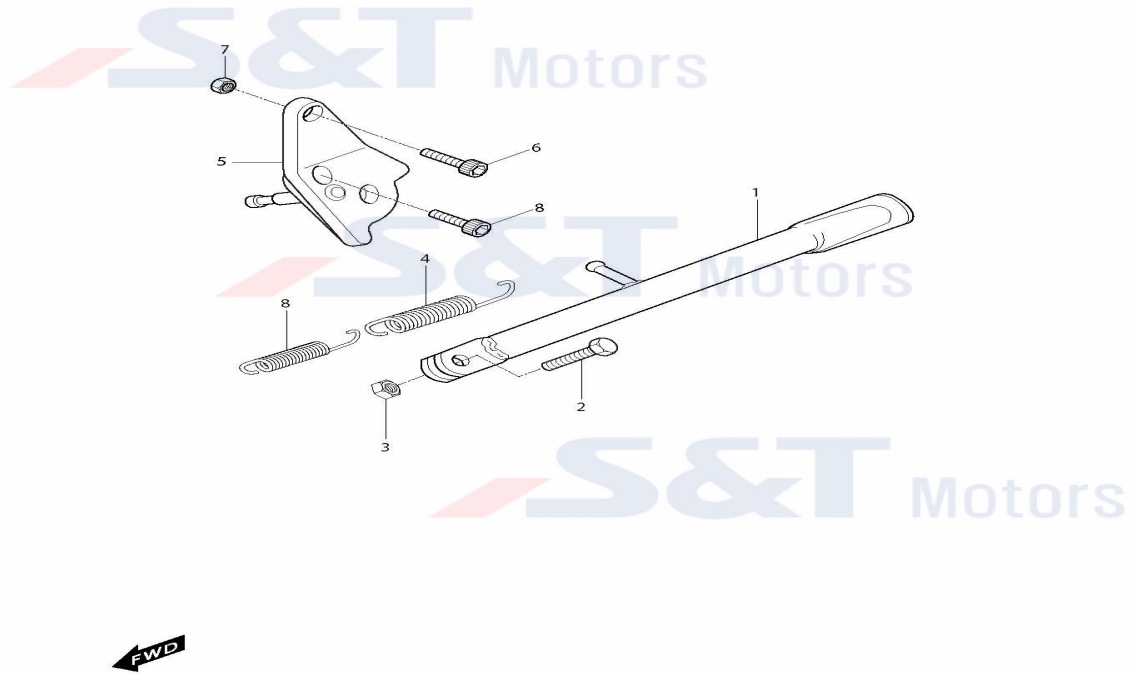
FIG 5



SEQ	PART CODE	PART NAME	U/S	REMARK
1	16400HF4600	OIL PUMP (GF)	1	
2	16331H93B00	GEAR OIL PUMP DRIVEN	1	
3	09261-02008	PIN,OIL PUMP DRIVEN	1	
4	08332-11069	CIRCLIP,OIL PUMP DRIVE GEAR	1	
5	02112-06258	SCREW (GV650)	3	
6	16520-05202	STRAINER,ENG OIL	1	
7	02112-95126	SCREW,ENGINE OIL STATER	2	
8	16523-05200	CAP,OIL STRAINER	1	
9	09280-60005	O/RING,OIL STRAINER CAP	1	
10	01547-06208	BOLT,OIL STRAINER CAP	3	
11	09247-14002	PLUG,OIL DRAIN	1	
12	09168H14003	GASKET,OIL CHECK PLUG (SB)	1	
13	16510-05240HAS	FILTER,ENGINE OIL (TN,RG,GS)	1	
14	09280-13004	O/RING,OIL FILTER	1	
15	16512-0521303S	CAP,OIL FILTER□□□ (RXD)	1	
16	09280-54001	O/RING,OIL FILTER CAP	1	
17	09440-18002	SPRING,OIL FILTER CAP	1	
18	01421-06128	STUD BOLT,OIL FIL	2	

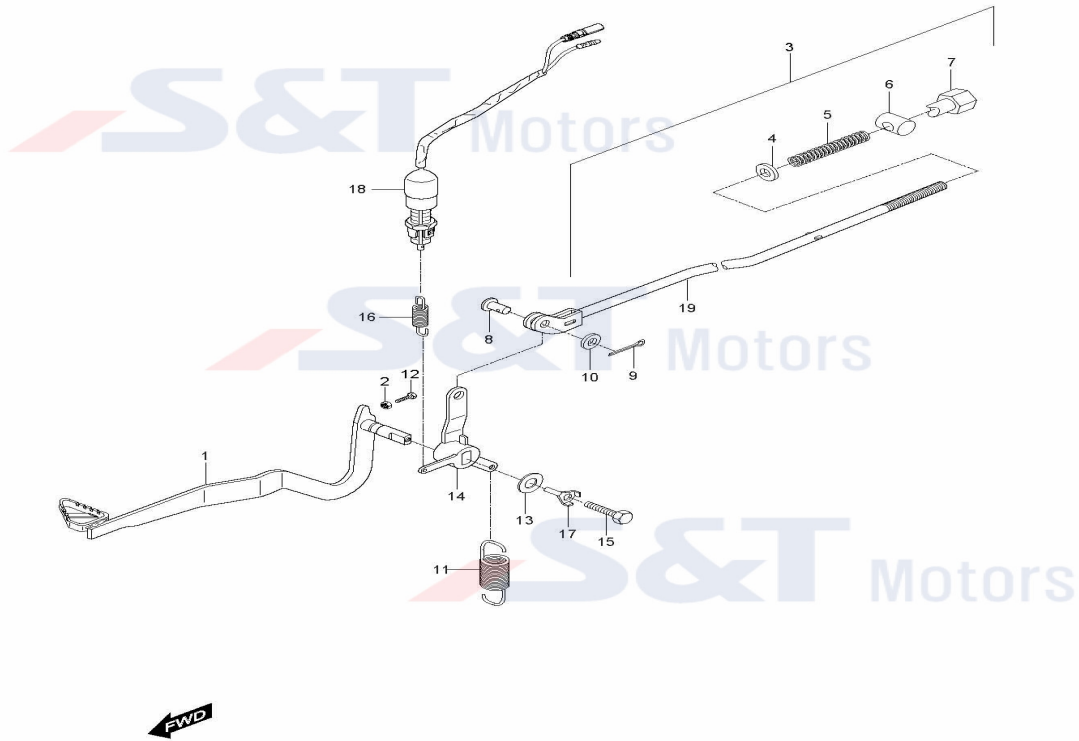
19	08313-11068	NUT	3
20	01421-06858	STUD BOLT,OIL FIL	1

FIG.27



SEQ	PART CODE	PART NAME	U/S	REMARK
1	42310HG5850	STAND COMP,PROP (RX)	1	
2	09100-10031	BOLT,PROP STAND (GT250RN)	1	
3	08313-11107	NUT,SORBER LOW(BLIND NNUT)	1	
4	09443H14037	SPRING,PROP STAND (SCOOTER	1	
5	42340HG580103P	BRACKET,PROP STAND (RX125)	1	PEARL METALLIC
6	07110-08258	BOLT,FRAME JOINT	2	
7	08319-31088	NUT,PILLION FOOTREST	2	
8	09443-06001	SPRING,PROP STAND INN(SB-FN02)	1	

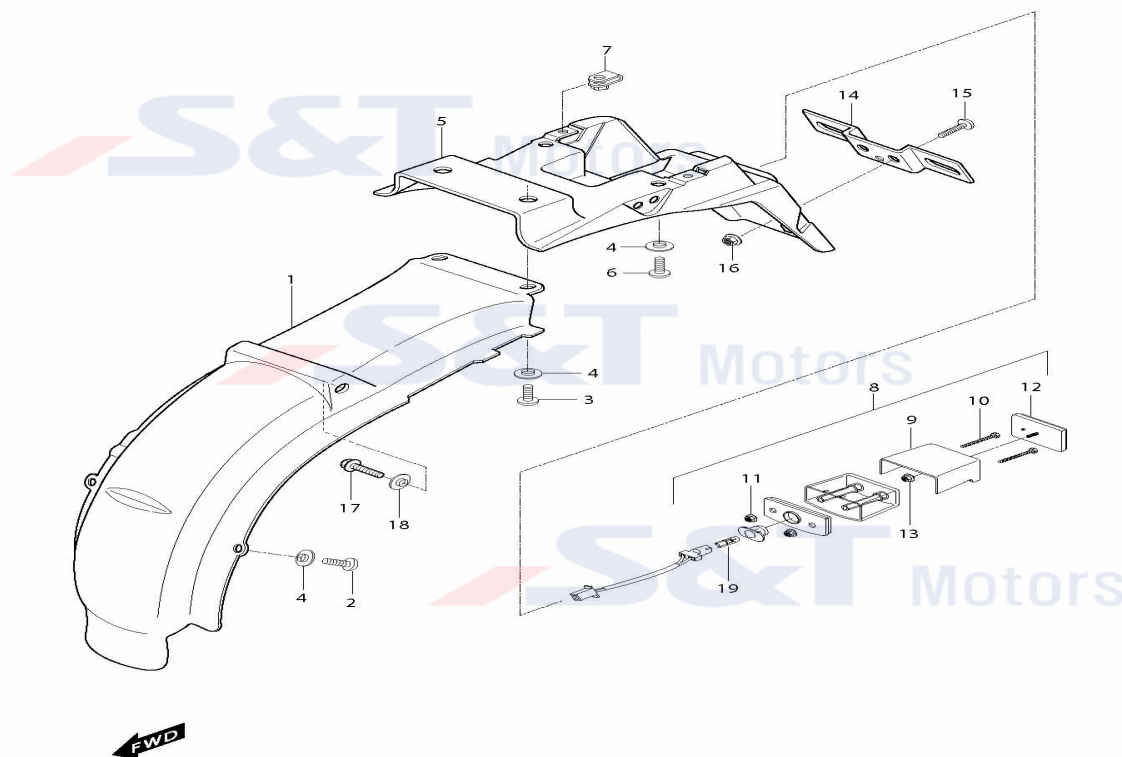
FIG 29



- 3 2

SEQ	PART CODE	PART NAME	U/S	REMARK
1	43100HG5802	PEDAL ASS'Y,BRAKE (RX)	1	
2	08310-11068	NUT	1	
3	43300HG5801	ROD ASS'Y,REAR BRAKE (RX)	1	
4	08322-21068	WASHER HEAD LAMP AIMING	1	
5	09440-09013	SPRING,BRAKE ROD	1	
5-1	09440-090B3	SPRING,BRAKE ROD	1	
6	09209-11006	PIN,BRAKE ROD	1	
7	09150-06009	NUT,REAR BRAKE ROD	1	
8	09200-06013	PIN,REAR BRAKE ROD	1	
9	04111-20208	COTTER PIN	1	
10	08322-21068	WASHER HEAD LAMP AIMING	1	
11	09443H14025	SPRING BRAKE PEDAL RETURN (GD)	1	
12	01104-06208	BOLT,TENSIONAL ADJUSTER	1	
13	09160-06012	WASHER BRAKE PEDAL (GSX)	1	
14	43123HG5802	ARM,BRAKE ROD (RX)	1	
15	01107-06168	BOLT,RELEASE ARM (GT250RN)	1	
16	09443H06006	SPRING STOP LAMP SWITCH (GA)	1	
17	43129-35C00	WASHER LOCK (GSX-R)	1	

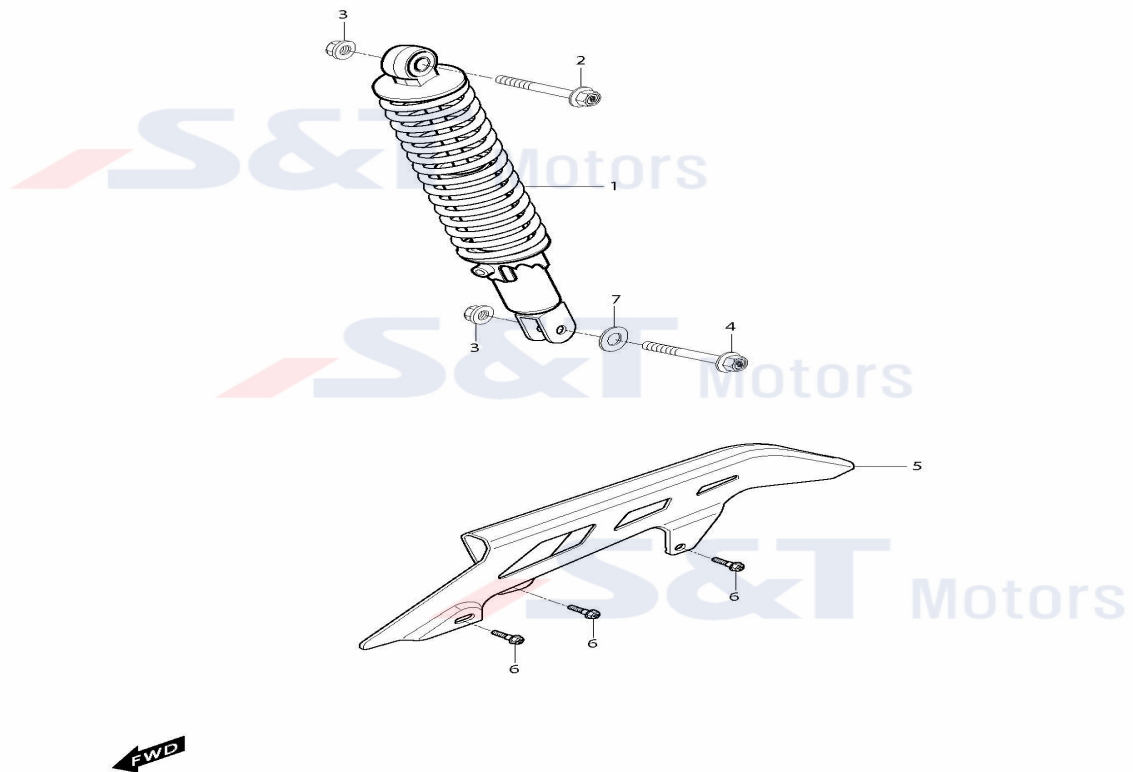
FIG.42



SEQ	PART CODE	PART NAME	U/S	REMARK
1	63112HG5803	REAR FENDER FRONT (RX)	1	
2	02142-06125	SCREW,COVER LEG SHIELD	2	
3	02142-06165	SCREW,LEG SHIELD LOWER(GT250RN	2	
4	09169-06034	WASHER,LEG SHIELD	6	
5	63113HG5851	REAR FENDER REAR (RX)	1	
6	02142-06125	SCREW,COVER LEG SHIELD	2	
7	09148-06020	NUT	2	
8	35910HG5850	LAMP ASSY,LICENSE (RX)	1	
9	35915HG5800	COVER,LICENSE LAMP (RX)	1	
10	01107-05605	BOLT,LICENSE LAMP (GV650)	2	
11	08316-26055	NUT,FRONT TURN SIGNAL LAMP	2	
12	35970-17303	REFLEX,REFLECTOR ASS'Y,REAR(FX	1	
13	08316-26055	NUT,FRONT TURN SIGNAL LAMP	1	
14	35927H44430	BRACKET,LICENSE PLATE (GPS)	1	
15	02142-06165	SCREW,LEG SHIELD LOWER(GT250RN	2	
16	08316-16068	NUT (GV650)	2	
17	01517-08168	BOLT REAR AXLE BRI HOUSING	2	

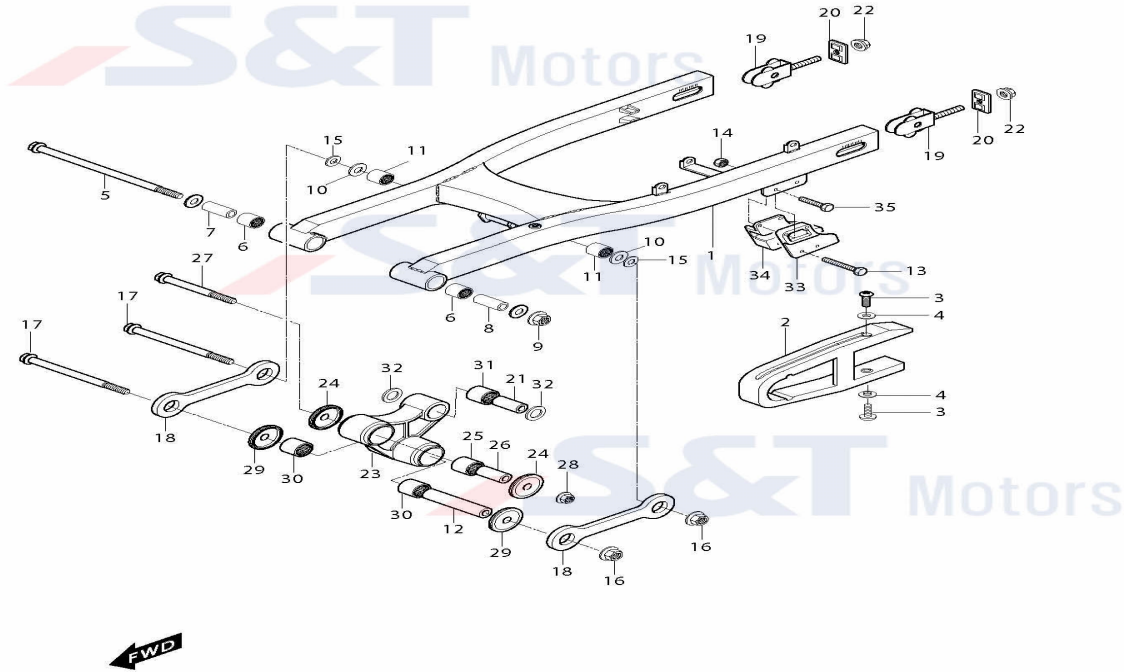
18	09169-06034	WASHER,LEG SHIELD	2
19	09471-12110	BULB,POSITION LAMP(12V W5W)(GA	1
19-1	09471H12110	BULB,POSITION LAMP (12V 5W)	1 [2011/3/4]

FIG.41



SEQ	PART CODE	PART NAME	U/S	REMARK
1	62100HG5805	SHOCK ABSORBER ASSY REAR(RX125)	1	
1-1	62100HG5806	REAR SHOCK ABSORBER (RX125)	1	(03.2013~)
2	09103H10230	BOLT,REAR S/ABSORBER UPPER(RX)	1	
3	08319-31108	NUT,FRONT SORBER	1	
4	09103H10101	BOLT,HANDLE BAR SET (EZ)	1	
5	61311HG5802	CHAIN CASE (RX125)	1	
6	09111H06066	BOLT CHAIN CASE (GD)	3	
7	09160-10001	WASHER,SORBER	1	

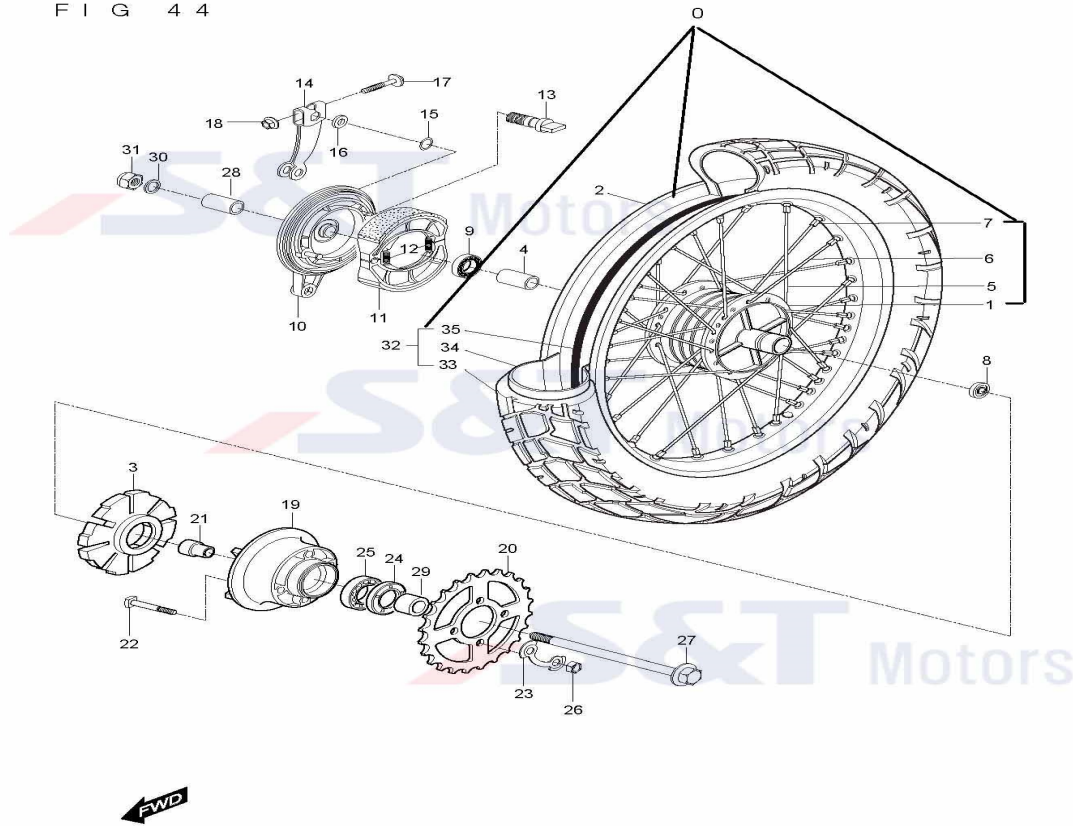
FIG.40



SEQ	PART CODE	PART NAME	U/S	REMARK
1	61100HG5805HPA	SWING ARM COMP (RX)	1	
2	61273HG5802	BUFFER,CHAIN TOUCH DEFENSE(RX)	1	
3	02142-06165	SCREW,LEG SHIELD LOWER(GT250RN)	2	
4	09169H06011	WASHER	2	
5	61211HG5801	SHAFT,REAR SWIN'G PIVOT (RX)	1	
6	09263-20073	BEARING RR SWINGARM PIV (GD)	2	
7	09180H14002	SPACER,REAR SWINGARM PIVOT(RX)	1	
8	09180H14003	SPACER,REAR SWING ARM PIVOT(RX)	1	
9	09159H14008	NUT,REAR AXLE	1	
10	09283-20031	SEAL,REAR CUSHION ROD (RX)	2	
11	09263H20003	BEARING,REAR CUSHION ROD (RX)	2	
12	09180H14001	SPACER,REAR CUSH ROD (RX)	1	
13	01547-06458	BOLT,CLUTCH COVER	1	
15	08211-14321	WASHER,KICK STARTER	2	
16	09159H14008	NUT,REAR AXLE	2	
17	09103H14001	BOLT,REAR CUSHION ROD (RX)	2	

18	62641HG5800	ROD,REAR CUSHION LEVER (RX)	2
19	61410HM5400	ADJUSTER COMP,CHAIN (RT125	2
20	61421HG5800	PLATE CHAIN ADJUSTER GUIDE(RX)	2
21	09180H10073	SPACER,REAR CUSHION LEVER (RX)	1
22	08319-31088	NUT,PILLION FOOTREST	2
23	62611HG5800	LEVER,REAR CUSHION (RX)	1
23-1	62611HG5800HPA	LEVER REAR,CUSHION ASSY (RX)	1
24	09284H33003	DUST SEAL,REAR CUSHION LEVE(RX)	2
25	09263-20073	BEARING RR SWINGARM PIV (GD)	1
26	09180H12001	SPACER,REAR CUSH LEVER FT (RX)	2
27	09103H12046	BOLT,REAR CUSHION LEVER FT(RX)	1
28	08319-31128	NUT,SWING ARM PIVOT	1
29	09284H32001	SEAL,REAR CUSHION LEVER CEN(RX)	2
30	09263H20003	BEARING,REAR CUSHION ROD (RX)	2
31	09263H17002	BEARING,REAR CUSHION LEVER(RX)	1
32	09284H17001	DUST SEAL,REAR CUSHION LEVE(RX)	2
33	61396HG5801	GUIDE,DRIVE CHAIN NO.1 (RX)	1
34	61397HG5801	GUIDE,DRIVE CHAIN NO2 (RX)	1
35	01517-06308	BOLT,STEERING LOCK NO1	2
36	62611HG5800HPA	LEVER REAR,CUSHION ASSY (RX)	1
37	68320HG5850	LABEL,CHAIN CASE□□(RX125D)	1

FIG 4 4

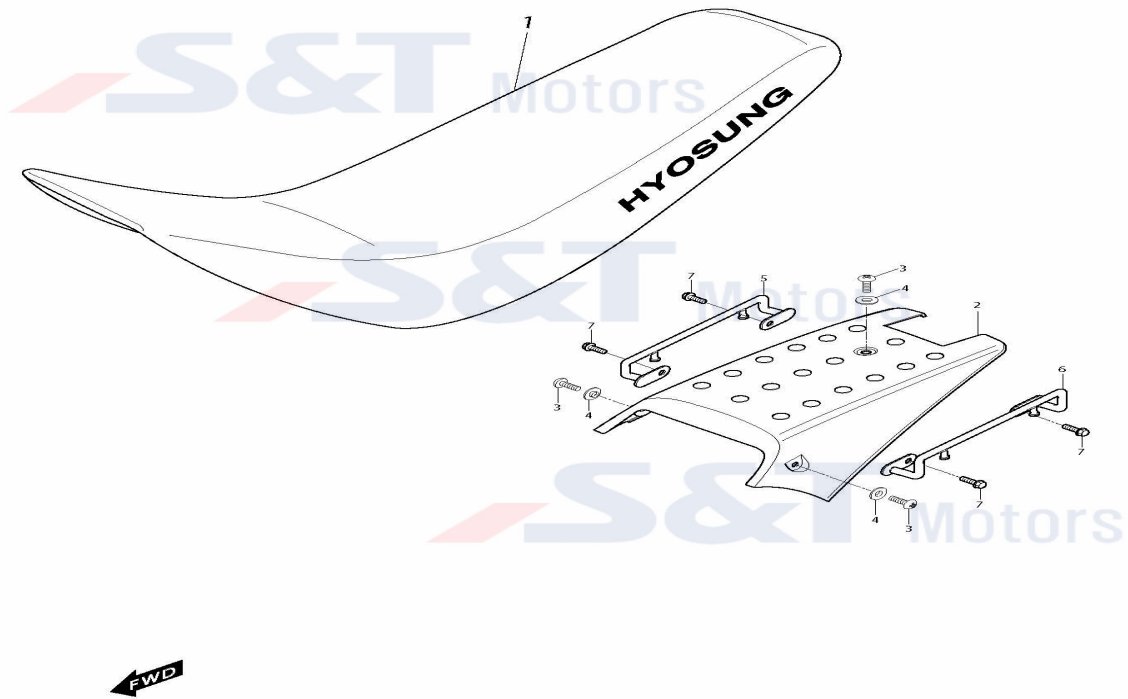


- 4 8

SEQ	PART CODE	PART NAME	U/S	REMARK
0	65310HG5800HPA	RR WHEEL+TIRE ASSY(AL-WHEEL(RX	1	
0-1	65310SG5800HPA	REAR WHEEL(AL WHEEL) (RX)	1	
1	64110-07605	HUB COMP,REAR WHEEL (RX)	1	
2	65311HG5850	RIM,REAR WHEEL(1.85*18 FE)(RX)	1	
3	64651-07001	HUB,SHOCK ABSORBER R/H	1	
4	09180-15011	SPACER COMP,FRONT HUB (RX)	1	
5	65321H08B00	SPOKE,REAR WHEEL INNER (MX)	18	
6	65322H08B00	SPOKE,REAR WHEEL OUTER (MX)	18	
7	65325-03020	NIPPLE (FX ECO)	36	
8	08123-62027	BEARING,FT HUB R 6202DC3	1	
9	08124-63027	BEARING FRONT HUB R/L (GV)	1	
10	64200HG5802	PANEL ASSY,REAR BRAKE (RX125)	1	
11	64400H93B03	SHOE COMP,BRAKE (GV125CN)	1	
12	09443H10003	SPRING,REAR BRAKE SHOE (RX125)	2	
13	54441-29306	CAM,REAR BRAKE (GS)	1	
14	64451-38210	LEVER REAR BRAKE CAM (GD)	1	
15	09280-14003	O/RING,STEERING SHAFT	1	
16	09160H14001	WASH RR BRAKE CAM DST SEAL(GA)	1	

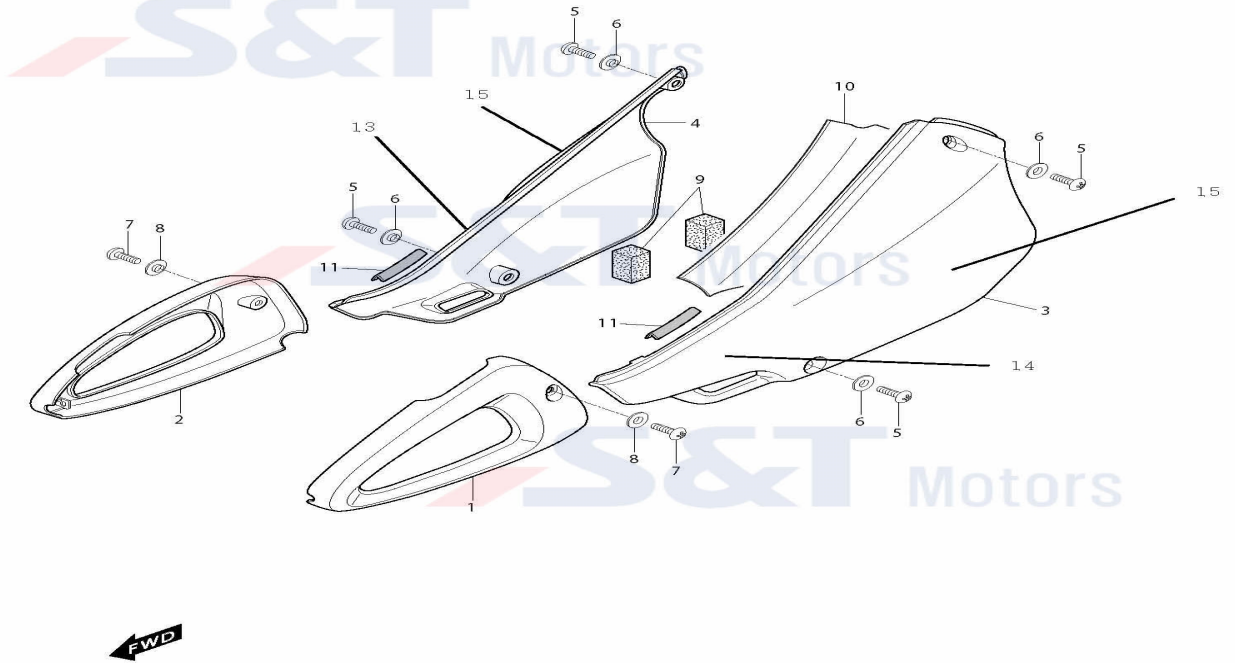
17	01517-06358	BOLT,RR BRAKE CAM	1
18	08316-16068	NUT (GV650)	1
19	64611H05300	DRUM REAR SPROCK MO(GA,GS,TN)	1
20	64511HM5401	SPROCKET,REAR	1
21	64733-39100	RETAINER	1
22	09105H08001	BOLT,REAR SPROCKET	4
23	09169-08012	WASHER	2
24	09285-28001	OIL SEAL REAR DRUM	1
25	08113-62047	BEARING,REAR DRUM 6204	1
26	08310-11088	NUT	4
27	64711HG5800	AXLE,REAR(14*290) (RX)	1
28	64741-08B10	SPACER,REAR AXLE RH	1
29	64751H93B00	SPACER REAR AXLE LH (GA)	1
30	08322-11148	WASHER (GV)	1
31	09159H14008	NUT,REAR AXLE	1
33	65100HG5800	TIRE COMP,REAR (RX)	1
34	65200-11601	TUBE,WHEEL INNER (MX)	1
35	65261-14010	PROTECTOR,FRONT WHEEL INNER(GA)	1

FIG.32



SEQ	PART CODE	PART NAME	U/S	REMARK
1	45100HG5804LO4	SEAT SET (LOWER) (RX125D)	1	
1-1	45100HG5804LO5	SEAT SET (LOWER) (RX125D)	1	
2	45511HR79000BK	COVER,SEAT TAIL (RX125D)	1	
2	45511HR79000OE	COVER,SEAT TAIL (RX125D)	1	
3	02142-06125	SCREW,COVER LEG SHIELD	3	
4	09169-06034	WASHER,LEG SHIELD	3	
5	46210HG580103P	CARRIER COMP REAR R (RX)	1	PEARL METALLIC
6	46220HG580103P	CARRIER COMP REAR L (RX)	1	PEARL METALLIC
7	01517-08168	BOLT REAR AXLE BRI HOUSING	4	

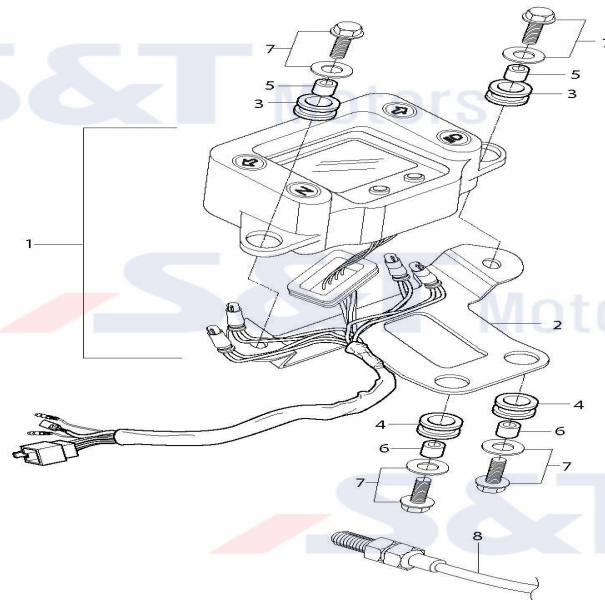
FIG.33



SEQ	PART CODE	PART NAME	U/S	REMARK
1	47321HG580103P	COVER,FRAME FRONT L (RX)	1	PEARL METALLIC
1-1	47321HG5801TAM	COVER,FRAME FRONT L (RX125SM)	1	
2	47311HG580103P	COVER,FRAME FRONT R (RX)	1	PEARL METALLIC
2-1	47311HG5801TAM	COVER,FRAME FRONT R (RX125SM)	1	
3	47210HR79000BK	COVER,SIDE L (RX125D)	1	
3-1	47210HR79000OE	COVER,SIDE L (RX125D)	1	
4	47110HR79000BK	COVER,SICE R (RX125D)	1	
4-1	47110HR79000OE	COVER,SIDE R (RX125D)	1	
5	02142-06125	SCREW,COVER LEG SHIELD	4	
6	09169-06034	WASHER,LEG SHIELD	4	
7	02142-06125	SCREW,COVER LEG SHIELD	2	
8	09169-06034	WASHER,LEG SHIELD	2	
9	47161HE6101	CUSHION,SIDE COVER L (FX)	2	
10	47239HG5800	HEAT,SHIELD SIDE COVER L (RX)	1	
11	47161HG5801	MOLD'G,SIDE COVER (RX)	2	
12	47239HG5800	HEAT,SHIELD SIDE COVER L (RX)	1	
13	68314HR790017A	TAPE,SIDE COVER RH (RX125D)	1	

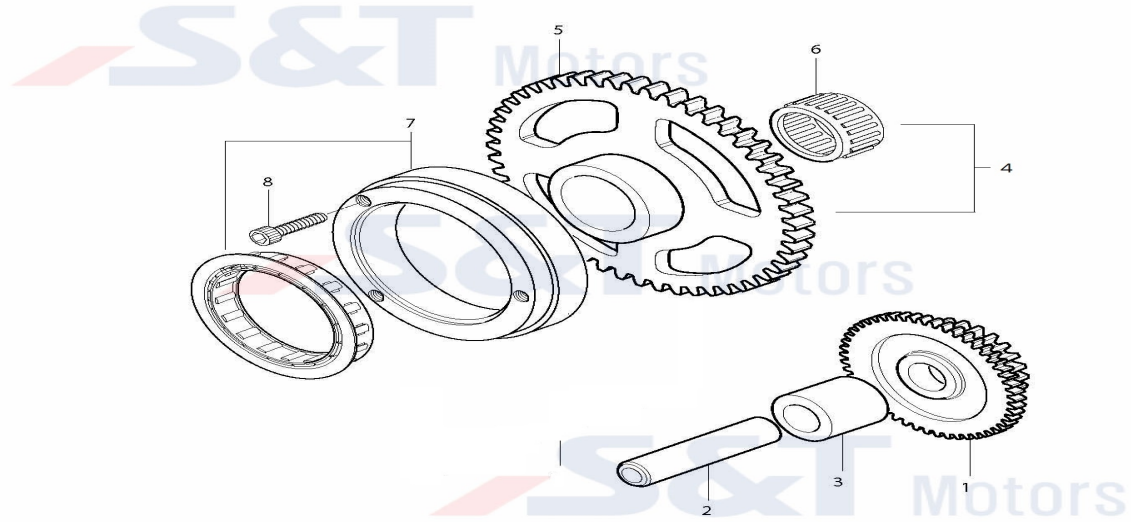
13-1	68314HR790011B	TAPE,SIDE COVER R	(RX125D)	1
14	68316HR790017A	TAPE,SIDE COVER L	(RX125D)	1
14-1	68316HR790011B	TAPE,SIDE COVER L	(RX125D)	1
15	68310HR79500B3	EMBLEM, XRX 125D	(RX125D)	2
15-1	68310HR79500B4	EMBLEM, XRX 125D	(RX125D)	2

FIG.21



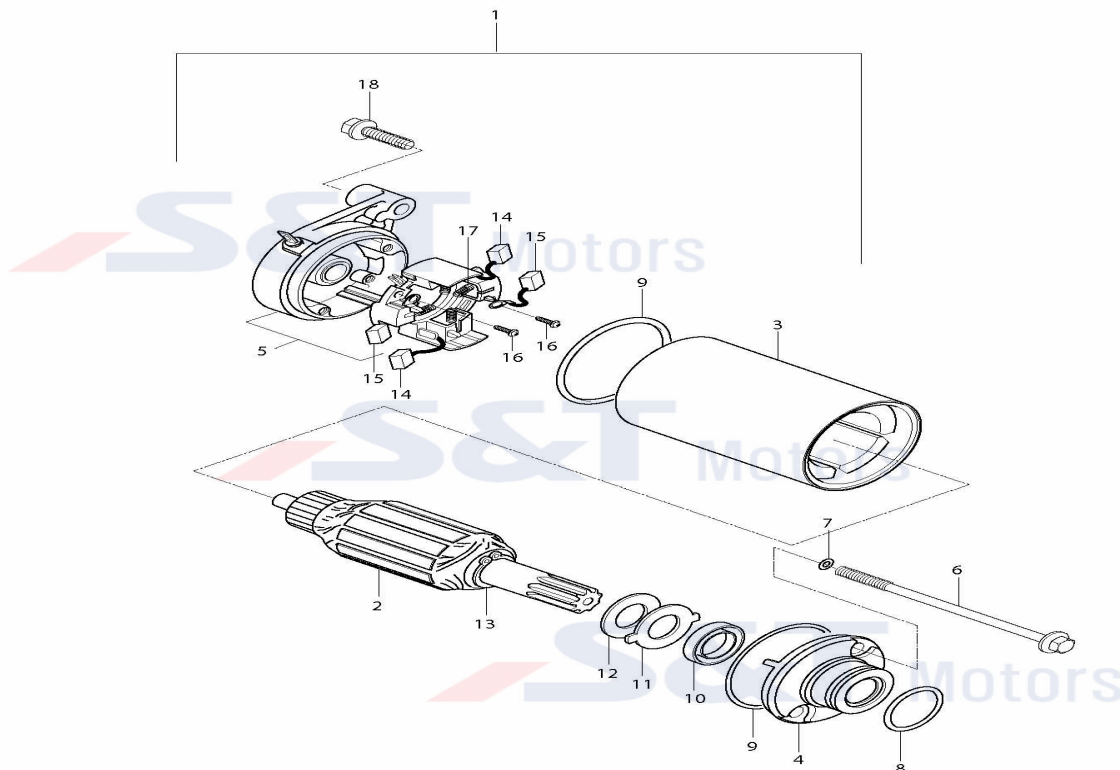
SEQ	PART CODE	PART NAME	U/S	REMARK
1	34100HR7900	SPEEDOMETER ASS'Y (RX125D)	1	
2	34950HR7900	BRACKET,SPEEDMETER (RX125D)	1	
3	09320-08048	CUSHION REAR COMBI (GD)	2	
4	09320H12090	CUSHION,SPEEDMETER (RT125D)	2	
5	09180-06114	SPACER BODY COWLING FITT(GSX)	2	
6	09180H06175	SPACER,SEAT TAIL COVER	2	
7	09116-06010	BOLT REAR COMBI BRACKET (GSX)	4	
8	34860HR7900	SENSOR,SPEEDMETER (RX125D)	1	

FIG 7



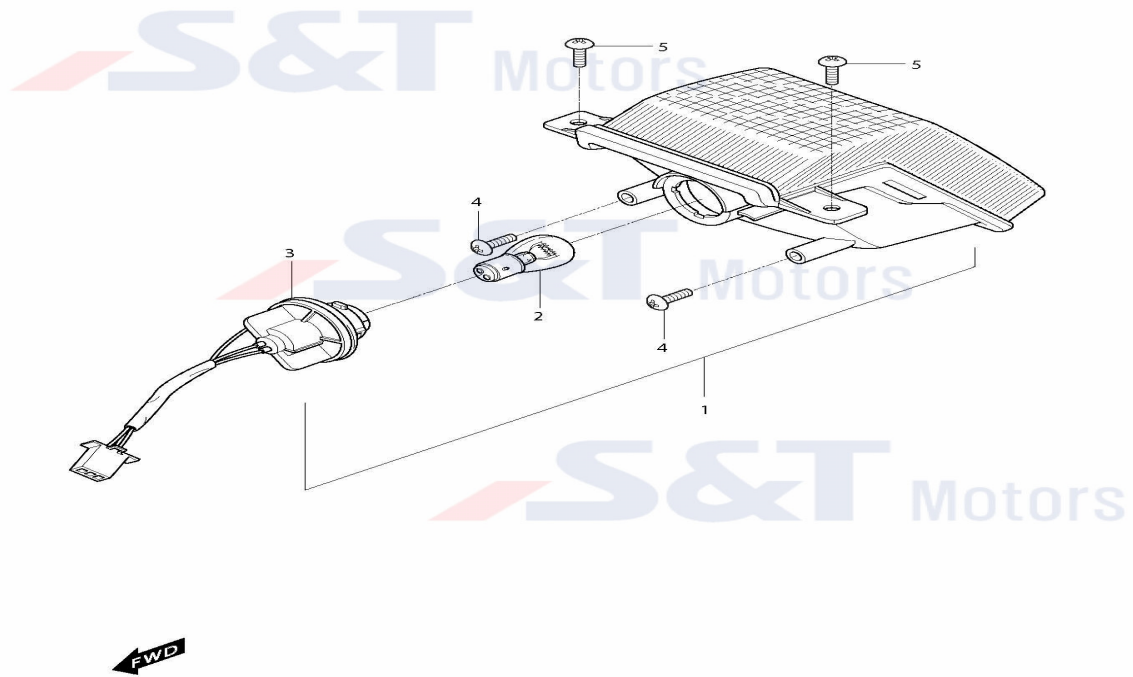
SEQ	PART CODE	PART NAME	U/S	REMARK
1	12611-04B00	GEAR,STARTER IDLE	1	
2	09206-13003	PIN,STARTER IDLE GEAR	1	
3	09180-13006	SPACER,STARTER IDLE GEAR	1	
4	12620H87800HPA	GEAR STARTER CLUTCH (GD)	1 = 12620H87800 + 09263-22031	
5	12620H87800	GEAR STARTER CLUTCH (RT125)	1	
6	09263-22031	BEARING,STARTER CLUTCH GEAR	1	
7	12614H98600	CLUTCH,STARTER ONE WAY (GT250)	1	
8	07110-08168	BOLT,STARTER CLUTCH (GD)	3	

FIG 17



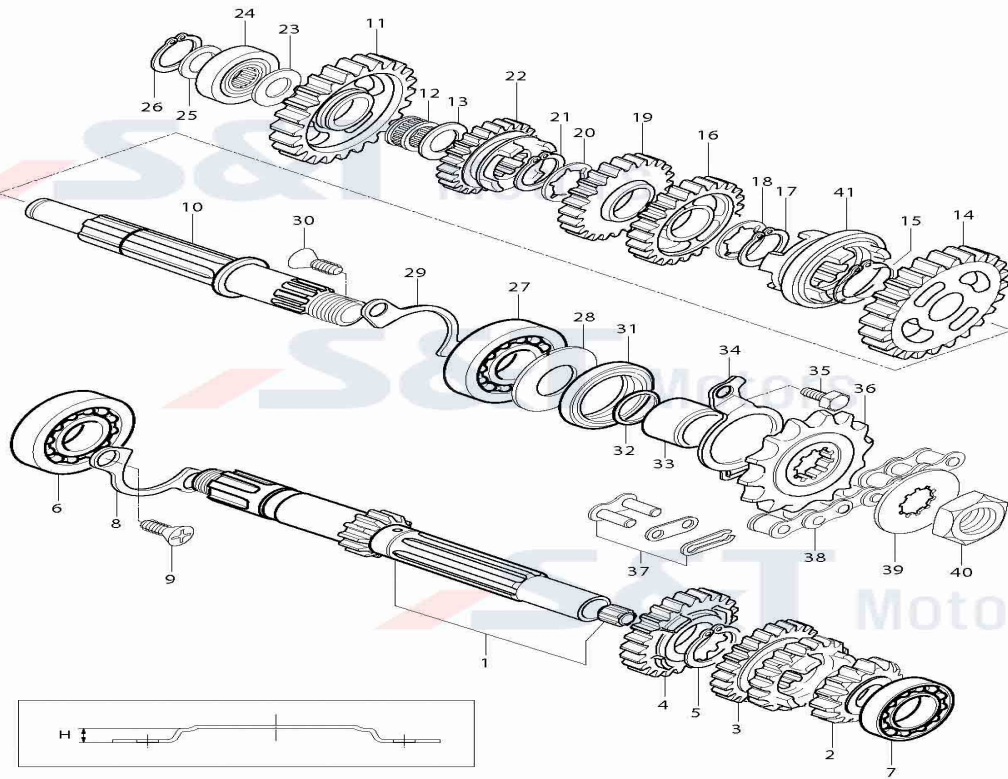
SEQ	PART CODE	PART NAME	U/S	REMARK
1	31100-42A01	MOTOR ASSY STARTING (RX125D)	1	
2	31310-11D10	ARMATURE ASSY,STARTER (GD)	1	
3	31100-05320	YOKE ASSY,STARTER(□□) (GA)	1	
4	31150-42A01	HOUSING ASSY,STARTER (GD)	1	
5	31175-42A01	FRAME ASSY,COMMUTATOR (GD)	1	
6	31281-32C10	BOLT,THROUGH (GD)	2	
7	31156-38300	O RING STARTING MOTOR	2	
8	09280-24003	O-RING,S/MOTOR(=>09280-24001)	1	cor. 09280-24001
8-1	09280-24001	O-RING,STARTER MOTOR	1	
9	31264-35C10	O-RING (GD)	2	
10	31153-49210	SEAL,OIL (GD)	1	
11	31361-32C00	PLATE,LOCK (GD)	1	
12	31361-38300	SHIM(A)	1	
13	31361-10200	SHIM ARMATURE	1	
14	31132-32C10	BRUSH SUB-ASSY,STARTER (GD)	2	
15	31131-32C20	BRUSH,STARTER (GD)	2	
16	31114-32C10	SCREW (GD)	2	
17	31135-32C10	SPRING,COMPRESSION COIL (GD)	4	

FIG.24



SEQ	PART CODE	PART NAME	U/S	REMARK
1	35710HG5850	LAMP ASSY REAR COMBI (RX)	1	
2	09471-12046	BLUB, TAIL&STOP(ECE) (SF)	1	
3	35760HG5800	SOCKET ASSY, TAIL&STOP (RX)	1	
4	03241-05206	SCREW, HANDLE COVER REAR	2	
5	02142-06165	SCREW, LEG SHIELD LOWER(GT250RN)	2	

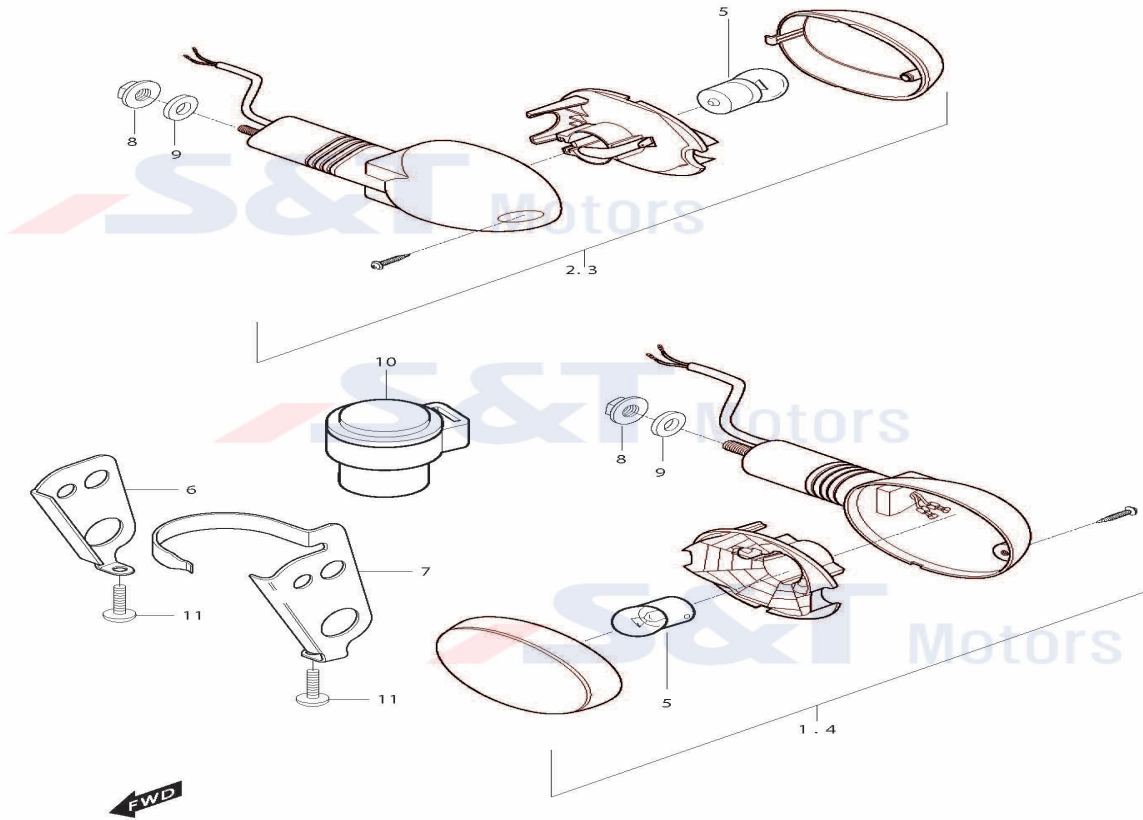
FIG 15



SEQ	PART CODE	PART NAME	U/S	REMARK
0	24200S35C00HPA	MISSION GEAR SET (GD)	1	cor. 24130S35C00+24120S35C00
0-1	24130S35C00	SHAFT DRIVE COMP (RX125D)	1	24120S35C00
0-2	24120S35C00	SHAFT COUNTER COMP (GD125R)	1	
1	24121-05211	SHAFT,COUNTER (TN,RG,GS)	1	
2	24221-29B00	GEAR,2ND DRIVE (TN,RG,GS)	1	
3	24231-29B10	GEAR,3/4 DRIVE (TN,RG,GS)	1	
4	24251-05202	GEAR,5TH DRIVE (TN,RG,GS)	1	
5	09380-20009	CIRCLIP,5TH DRIVE GEAR	1	
6	09262-20062	BEARING,CO.SH.R 6204ACM	1	
7	08123-60020	BEARING,COUNTER LH 6002DC3	1	
8	24741-05200	RETAINER,COUNTER SHAFT BG(TN,	1	
9	02122-06128	SCREW,OL GR SH	1	
10	24130SR7900	SHAFT DRIVE COMP (RX125D)	1	
11	24311-29B00	GEAR,1ST DRIVEN (TN,RG,GS)	1	
12	09263H15002	BEARING,1ST DRIVEN GEAR	1	
13	08211-15251	THRUST WASHER,1ST DRIVE GEAR	1	
14	24320-29B00	GEAR COMP,2ND DRVN (TN,RG,GS)	1	
15	09380-20009	CIRCLIP,5TH DRIVE GEAR	3	

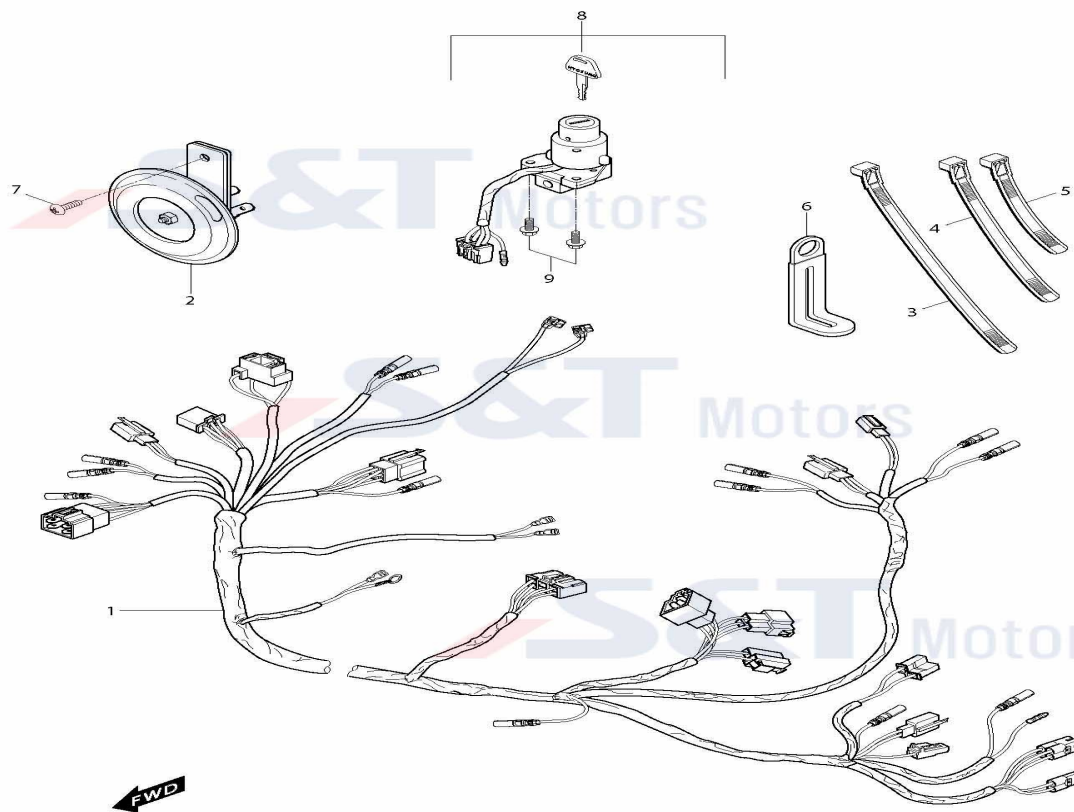
16	24331-05201	GEAR,3RD DRIVEN (TN,RG,GS)	1
17	09380-20009	CIRCLIP,5TH DRIVE GEAR	1
18	09167-20011	THRUST WASHER,3RD DRIVE GEAR	1
19	24341-29B10	GEAR,4TH DRIVEN (TN,RG,GS)	1
20	09167-20011	THRUST WASHER,3RD DRIVE GEAR	1
21	09380-20009	CIRCLIP,5TH DRIVE GEAR	1
22	24351-05201	GEAR,5TH DRIVEN (TN,RG,GS)	1
23	08211-15251	THRUST WASHER,1ST DRIVE GEAR	1
24	09263H15C03	NULL	1
25	08211-15201	THRUST WASHER,KICK START IDL	1
26	08331-31159	CIRCLIP,KICK IDLE	1
27	08113-62040	BEARING,COUNTER DRIVE 6204C3	1
28	24359-05200	WASHER,OIL C-RING	1
29	24741-05200	RETAINER,COUNTER SHAFT BG(TN,	1
30	02122-06128	SCREW,OL GR SH	2
31	09283-27010	OIL SEAL,REAR AXLE	1
32	09280-19005	O/RING,ENGINE SPROCKET	1
33	27531-08300	SPACER,ENGINE SPROCKET (RX)	1
34	24751-05201	RETAINER,DRV SHAFT (TN,RG,GS)	1
35	01107-06106	BOLT,DR SH RETAINER	1
36	27510H41732	SPROCKET COMP,ENGINE 14T (GF)	1
37	27620-29B20	NULL	1
38	27600HG5801	CHAIN ASSY,DRIVE(132L) (RX)	1
39	09167H20002	WASHER,ENGINE SPROCKET(GD250R)	1 Repl of 09167-20006 / (0.8T -> 1.0T)
40	09140-16017	NUT,ENGINE SPROCKET	1
41	24421-05300	WHEEL,SLIDING DOG (TN,RG,GS)	1

FIG.23



SEQ	PART CODE	PART NAME	U/S	REMARK
1	35601HR7900	LAMP ASSY,FT T/SIGNAL R(RX125)	1	
2	35602HR7900	LAMP ASSY,FT T/SIGNAL L(RX125)	1	
3	35603HR8600	LAMP,REAR T/SIGNAL R (RX125D)	1	
4	35604HR8600	LAMP REAR T/SIGNAL LH (RX125D)	1	
5	09471H12112	BULB(12V G18:RY10W) (GV650)	4	
6	35615HG5800	PLATE,FRONT TURNSIGNAL (RX)	1	
7	35616HG5800	PLATE,FRONT TURNSIGNAL (RX)	1	
8	08310-11068	NUT	2	
9	08322-21068	WASHER HEAD LAMP AIMING	2	
10	38610HR9770	RELAY,TURN SIGNAL (GV250)	1	
11	02142-05125	SCREW,HANDEL COVER FRONT&REAR	2	
12	35612HR7900	LENS,FRONT TURN R (RX125D)	1	
13	35632HR7900	LENS,FRONT TURN L (RX125D)	1	
14	35652HR7800	LENS,FRONT TURN R (RT125D)	1	cor. 35652HR8600
14-1	35652HR7800	LENS,FRONT TURN R (RT125D)	1	
15	35672HR7800	LENS,FRONT TURN L (RT125D)	1	cor. 35632HR7900
15-1	35632HR7900	LENS,FRONT TURN L (RX125D)	1	

FIG.25



SEQ	PART CODE	PART NAME	U/S	REMARK
1	36610HR7900	HARNESS,WIRING (RX125D)	1	
2	38500HG5860	HORN ASSY (RT125)	1	
3	09407-254A1	BAND,CABLE	1	
4	09407-22402	CLAMP,WIRING HARNESS (EZ)	1	
5	09407-14403	CLAMP,STRNINER(125MM) (EZ)	4	
6	09407-11401	CLAMP,WIRING HARNESS(95MM)	5	
7	02112-36128	SCREW,COOLING FAN (GV250N)	2	
8	37100H93B30	LOCK ASS'Y,STEERING (RX125)	1	
9	01517-06168	BOLT,STEERING LOCK (SD)	1	
9-1	09139H06016	SCREW,STEERING LOCK NO.2 (GPS)	1	
10	09407-11401	CLAMP,WIRING HARNESS(95MM)	3	