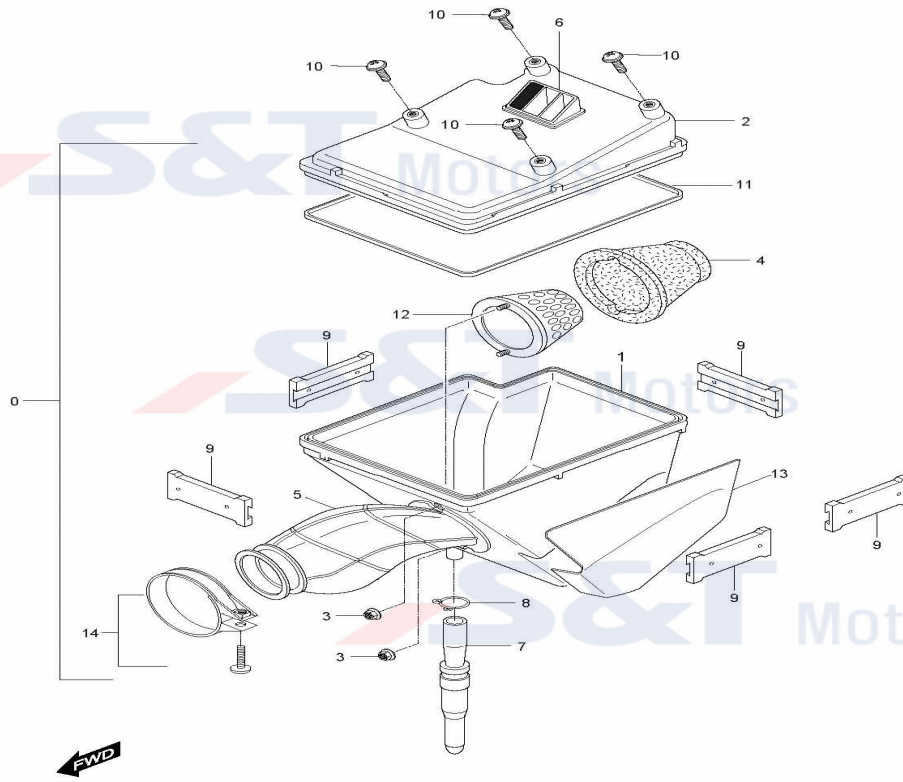


FIG 1 1



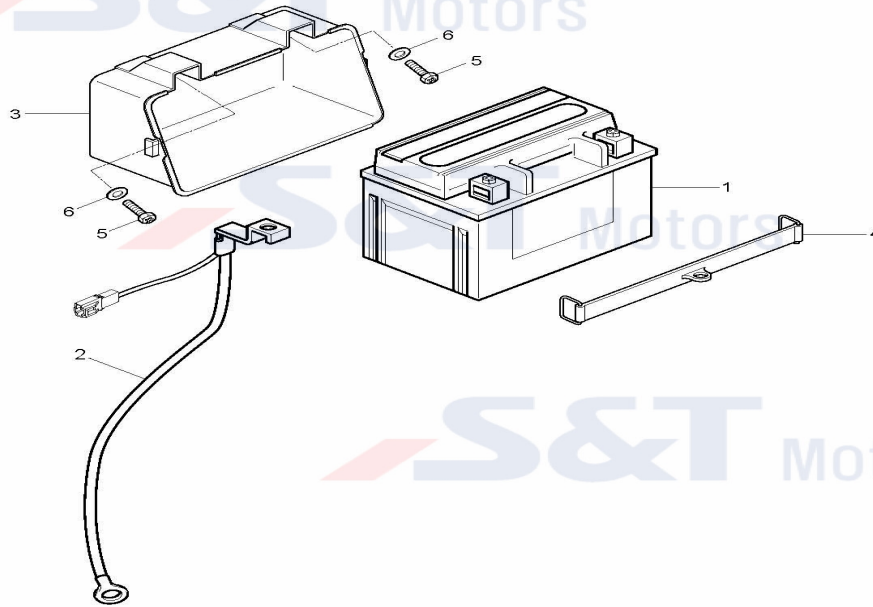
- 1 2

SEQ	PART CODE	PART NAME	U/S	REMARK
0	13700HG5801	AIR CLEANER ASSY (RX)	1	
1	13720HG5800	CASE COMP,AIR CLEANER (RX)	1	
2	13740HG5800	CAP COMP,AIR CLEANER (RX)	1	
3	08316-16068	NUT (GV650)	2	
4	13780HG5800	FILTER COMP,AIR CLEANER (RX)	1	
5	13881HG5801	TUBE,OUTLET (RX)	1	
6	13891HG5800	TUBE,INLET (RX)	1	
7	13870-11124	TUBE COMP,DRAIN	1	
8	13824-05331	CLIP	1	
9	13821H11210	SLIDER AIR CLEANER (SB)	5	
10	02142-15125	SCREW,MUD GUARD	4	
11	13722HG5800	GASKET,AIR CLEANER (RX)	1	
12	13750HG5800	FRAME COMP,FILTER TRAP (RX)	1	
13	13723HG5800	HEAT SHIELD,AIR CLEANER (RX)	1	
14	09402-44207	CLAMP,INTAKE PIPE	1	

┌

└

FIG 20



- 2 3

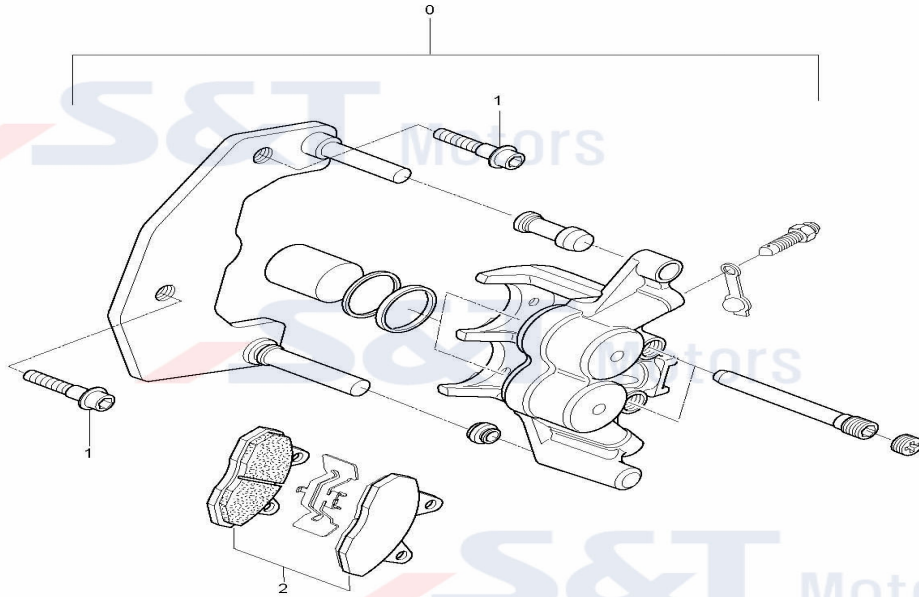
┌

└

SEQ	PART CODE	PART NAME	U/S	REMARK
1	33610H06C11	BATTERY ASS'Y(12V 6AH)(FXM,GD)	1	
2	33860HG5800	LEAD WIRE,BATTLE MINUS (RX)	1	
3	41545HG5803	GUARD,BATTERY (RX)	1	
4	09462H00009	BAND BATTERY (RX)	1	
5	01517-06165	BOLT,SPORT CARRIER (SD)	2	
6	09169-06034	WASHER,LEG SHIELD	2	

SEQ	PART CODE	PART NAME	U/S	REMARK
19	13452H93B00	SPRING,PUMP DIAPHRAM	1	

FIG 39



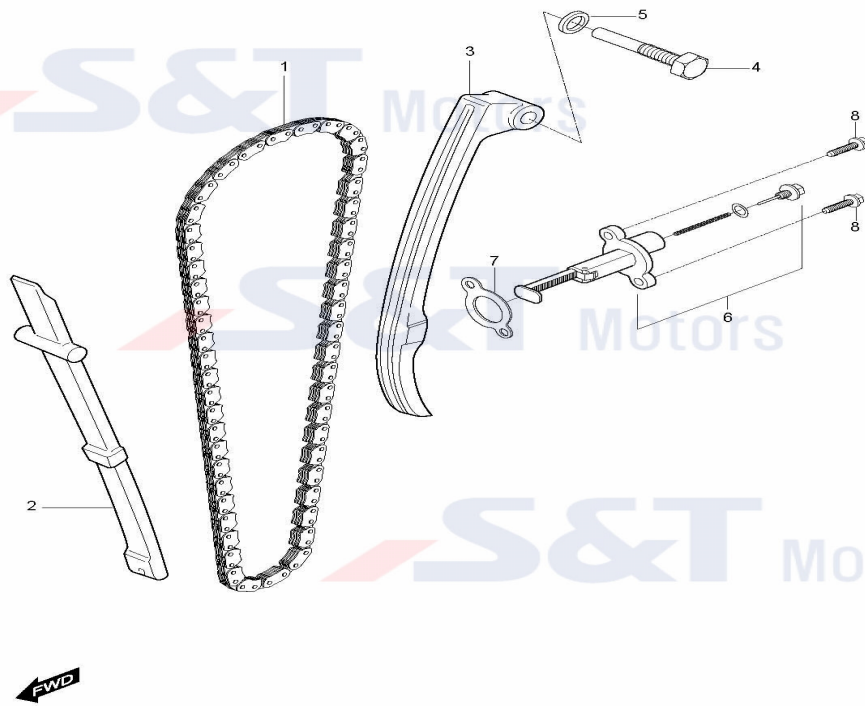
- 4 2

SEQ	PART CODE	PART NAME	U/S	REMARK
0	59300HG5812	CALIPER ASSY,FRONT (RX125)	1	
1	07120-08308	BOLT,CALIPER (RX)	2	
2	59300HG5812	CALIPER ASSY,FRONT (RX125)	1	
2-A	59301HP9500	PAD SET(8.4T) (GV650)	1	

┌

└

F I G 9



- 9 -

┌

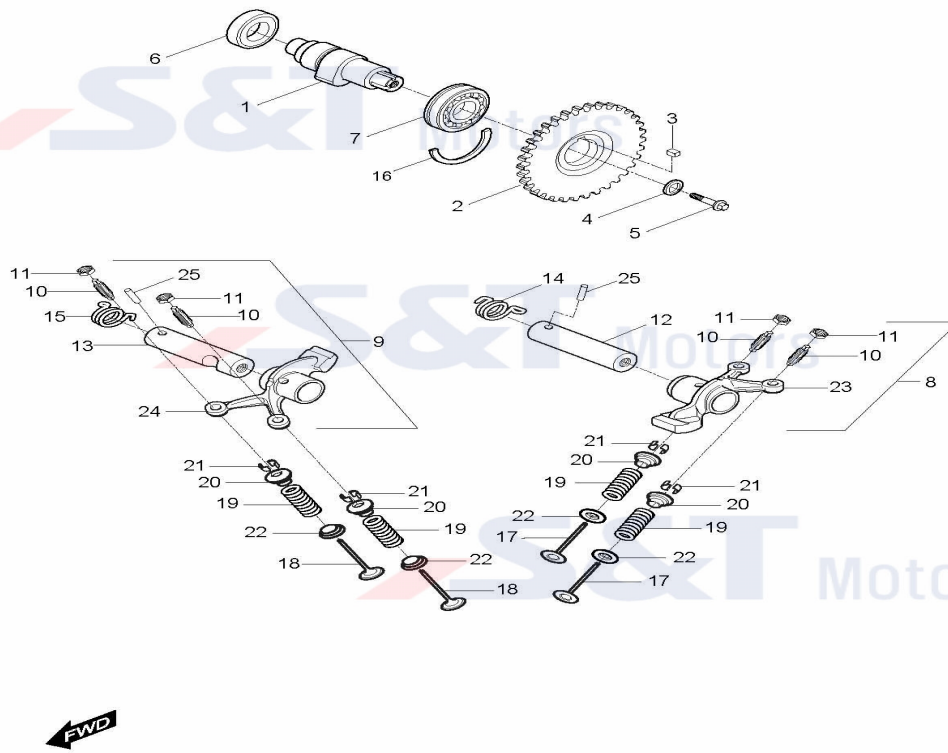
└

SEQ	PART CODE	PART NAME	U/S	REMARK
1	12760HD6300	SILENT LINK,C/SH DRIVE (GA-F)	1	
2	12771HD6300	GUIDE,CAMLINK (GA-F)	1	
3	12811HD6300	TENSIONER,CAMLINK (GA-F)	1	
4	12812-32410	BOLT,CAM LINK TENSIONER	1	
5	09168-08008	GASKET LEVEL (GV650)	1	
6	12830H93B00	ADJUSTER TENSION (GA)	1	
7	12837H19B11	GASKET,TENSIONER ADJUSTER(GF12	1	
8	01104-06208	BOLT,TENSIONAL ADJUSTER	2	

┌

└

F I G 8



- 8 -

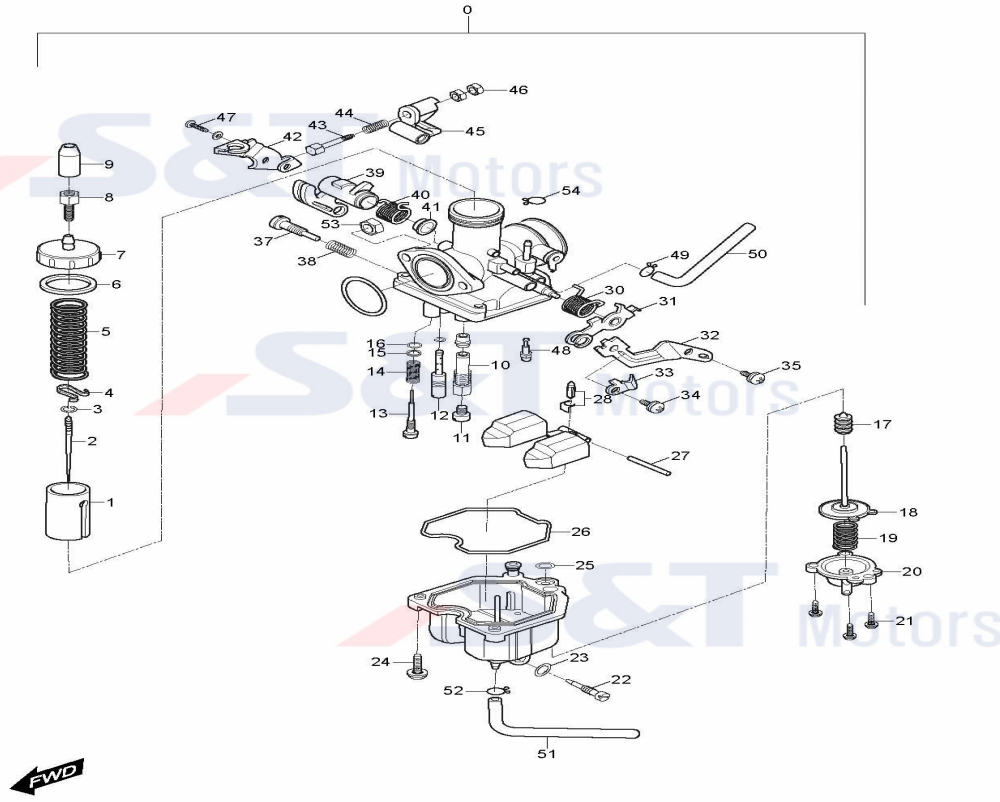
┌

└

SEQ	PART CODE	PART NAME	U/S	REMARK
1	12711HD6302888	CAMSHAFT (GA-F)	1	
1-1	12710SD6300HPA	CAM SHAFT □□□□□□(GA)	1	
1-2	12711SD6310HPA	CAMSHAFT ASS'Y-2 (GA-F)	1	
2	12741HD6301	SPROCKET,CAMSHAFT (GA-F)	1	
3	09421H04004	KEY,CAMSHAFT (GA-F)	1	
4	09160H08016	WASHER,SPROCKET C/SH (GA-F)	1	
5	09103H08007	BOLT,SPROCKET(8*16) (GA-F)	1	
6	09262H17002	BEARING,CAMSHAFT NO.1 (GA-F)	1	
7	09269H17003	BEARING,CAM SHAFT (GA-F)	1	
8	12840HD6300	ARM COMP,VALV ROCK INTA (GA-	1	
9	12850HD6300	ARM COMP,VALVE ROCKER EXHAUST	1	
10	12842-49201	SCREW,TAPPET ADJUSTING (GA-F)	4	
11	12843-27A00	NUT,TAPPET ADJUSTING	4	
12	12861HD6300	SHAFT,VALV ROCK ARM NO.1(GA-F	1	
13	12871HD6300	SHAFT,VALV ROCK ARM NO.2(GA-F	1	
14	09448H17008	SPRING,VALVE ROCKER ARM NO.1	1	
15	09448H17009	SPRING,VALVE ROCKER ARM NO.2	1	
16	09390H38001	CIRCLIP,CAMSHAFT BG NO2 (GA-F)	1	

17	12911HD6300	VALVE,INTAKE (GA-F)	2
18	12912HD6300	VALVE,EXHAUST (GA-F)	2
19	12921HD6300	SPRING,VALVE (GA-F)	4
20	12931HD6300	RETAINER,VALVE SPRING	4
21	12932HD6300	COTTER,VLAVE (GA-F)	8
22	12933HD6300	SEAT,VALVE SPRING	4
23	12841HD6300	ARM,VALVE ROCKER (IN) (GA-F)	1 cor. 12840HD6300
23-1	12840HD6300	ARM COMP,VALV ROCK INTA (GA-	1 [2010/6/10]
24	12851HD6300	ARM,VALVE ROCKER EXHAUST	1
25	09202H04002	PIN,ROCKER ARM SHAFT (GA-F)	2

FIG 10



- 1 0

SEQ	PART CODE	PART NAME	U/S	REMARK
0	13200HG5801HAS	CARBURETOR ASS'Y (RX125	1	
1	13551HG5800	VALVE THROTTLE A/S□□ (RX)	1	
2	13383HG5800	NEEDLE,JET (RX)	1	
3	13533H93B00	E-RING,THROTTLE VALVE	1	
4	13581H93B00	CLIP,CARBURETOR	1	
5	13573H93B00	SPRING,THOTTLE VALVE	1	
6	13249H93B00	GASKET,TOP COVER	1	
7	13261H93B00	COVER,TOP	1	
8	13577H93B00	ADJUSTER,THROTTLE CABLE	1	
9	13681H93B00	CAP,CARBURETOR TOP	1	
10	09494HG5800	JET,NEEDLE (RX)	1	
11	09491HG5800	JET,MAIN (RX)	1	
12	09492HG5800	JET,PILOT (RX)	1	
13	13279H93B00	SCREW,PILOT (GA)	1	
14	13268H93B00	SPRING,PILOT SCREW	1	
15	13291H93B00	WASHER,CARBURETOR	1	
16	13295H93B00	O-RING (GA)	1	
17	13455H93B00	CAP,SEALING	1	

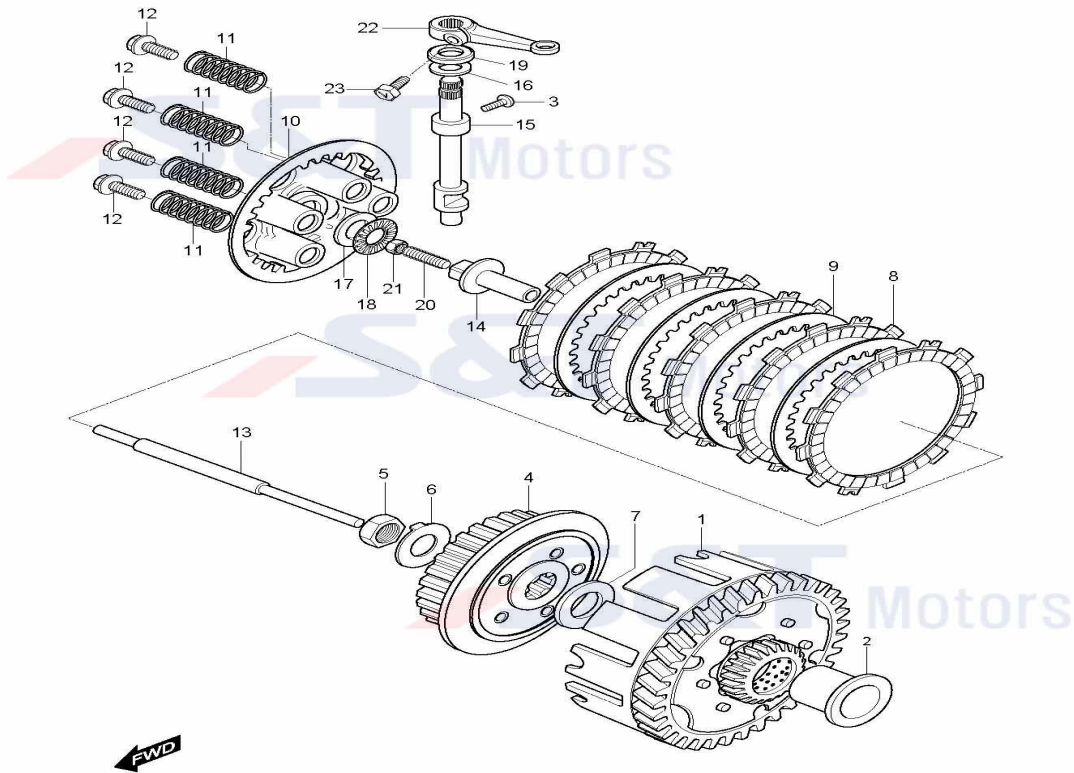


18	13460H93B00	DIAPHRAGM COMP,PUMP (GA)	1
20	13450H93B00	COVER COMP,PUMP	1
21	02112-44126	SCREW,CARBURETOR	3
22	13247H93B00	SCREW,DRAIN (GA)	1
23	13278H93B00	O-RING,DRAIN SCREW (GA)	1
24	02112-44166	SCREW,CARBURETOR	3 NOT SALE
25	13297H93B00	O-RING (GA)	1
26	13258H93B00	GASKET FLOAT CHAMBER	1
27	13250HG5800	FLOAT COMP (RX)	1
28	13370HG5800	VALVE ASS'Y,NEEDLE (RX)	1 NOT SALE
29	13410H93B00	SHAFT ASS'Y,CHOKE	1
30	13472H93B00	SPRING,CARBURETOR	1
31	13411H93B00	LEVER,CHOKE	1 NOT SALE
32	13413H93B00	STAY,CHOKE WIRE	1
33	13415H93B00	PLATE,STAY	1
34	02112-45126	SCREW,CARBURETOR	1
35	02112-44086	SCREW,CHOCK WIRE START	1
36	13277H93B00	O-RING,CARBURETOR	1
37	13267H93B00	ADJUSTER,THROTTLE	1
38	13268H93B00	SPRING,PILOT SCREW	1
39	13441H93B00	PUMP ARM-B	1
40	13443H93B00	SPRING,PUMP ARM-B	1
41	13442H93B00	GUIDE,PUMP ARM-B	1
42	13449H93B00	STAY PLATE,PUMP ARM	1
43	13447H93B00	ADJUSTER,PUMP	1
44	13446H93B00	SPRING,PUMP ARM-A	1
45	13445H93B00	PUMP ARM-A	1
46	08310-31046	NUT,PUMP ADJUSTER	1
47	02112-45146	SCREW,CARBURETOR	1
48	13448H93B00	NOZZLE,PUMP	1
49	09401-08401	CLIP,FUEL HOSE (GPS)	1
50	13684H93B00	HOSE,CARBURETOR	1 NOT SALE
51	13683H93B00	HOSE,CARBURETOR	1
52	09401-08401	CLIP,FUEL HOSE (GPS)	1
53	08316-16068	NUT (GV650)	2
54	09407-14403	CLAMP,STRNINER(125MM) (EZ)	1

┌

└

FIG 14



- 1 5

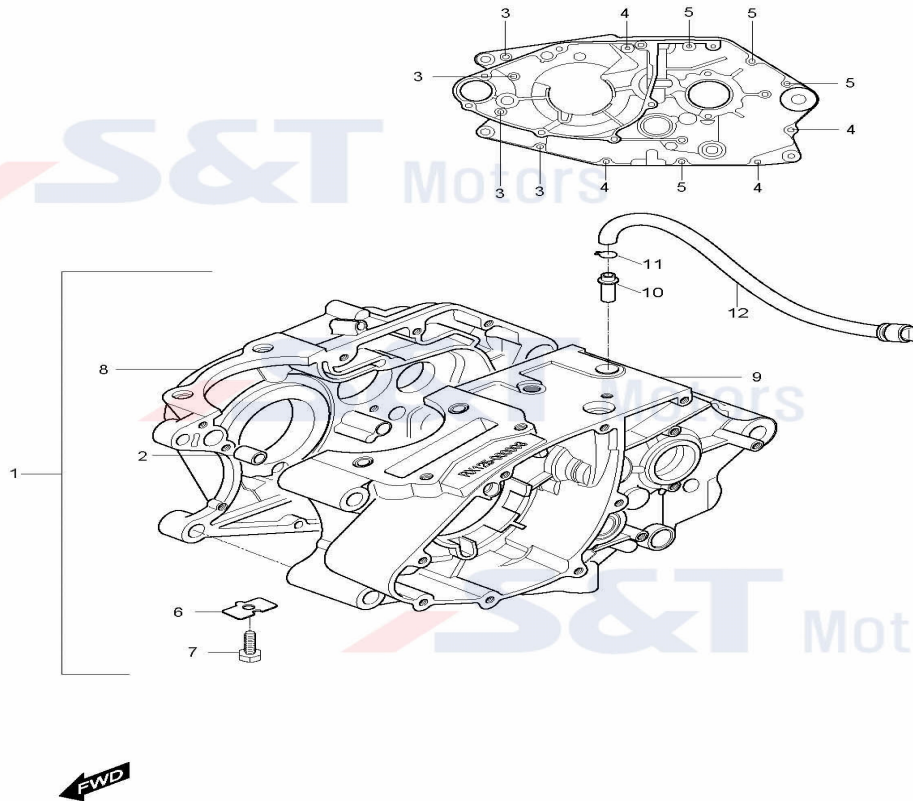
┌

└

SEQ	PART CODE	PART NAME	U/S	REMARK
1	21200HD6300HPA	PRIMARY ASSY (GA-F)	1	
2	21251H13E00	SPACER PRIM DRVN GEAR (125CC	1	
3	02142-06108	SCREW,KICK STARTER	1	
4	21411-05200	HUB,CLUTCH SLEEVE (GV125)	1	
5	09140-16014	NUT,CLUTCH SLEEVE	1	
6	09169-16003	WASHER,CLUTCH SLEEVE	1	
7	08211-20352	THRUST WASHER CL SLEEVE HUB	1	
8	21441-13A01	PLATE,CLUTCH DRIVE (GV125)	5	
9	21451-28000	PLATE,CLUTCH DRIVEN	4	
10	21462-14102	DISK,CLUTCH PRESSURE(TN,R,GS)	1	
11	09440-15014	SPRING,CLUTCH	5	
12	09116-05003	BOLT,CLTCH SPRING	5	
13	23110-05202	ROD COMP,CLUTCH PUSH	1	
14	23121-38201	PIECE CLUTCH PUSH (GD)	1	
15	23122-05200	CAM SHAFT CLUTCH RELEASE	1	
16	08211-10201	THRUST WASHER,CLUTCH RELEASE	1	
17	09160-15015	THRUST WASHER,CLUTCH RELEASE	1	

18	09263H15001	BEARING,CLUTCH RELEASE	1
19	09282-10007	OIL SEAL,CLUTCH RELEASE CAM	1
20	09134-06010	SCREW,CLUTCH RELEASE	1
21	08310-22068	NUT,UNIT&COIL (GV650)	1
22	23271HJ8250	ARM,CLUTCH RELEASE (GV250-KEU)	1
23	01107-06168	BOLT,RELEASE ARM (GT250RN)	1

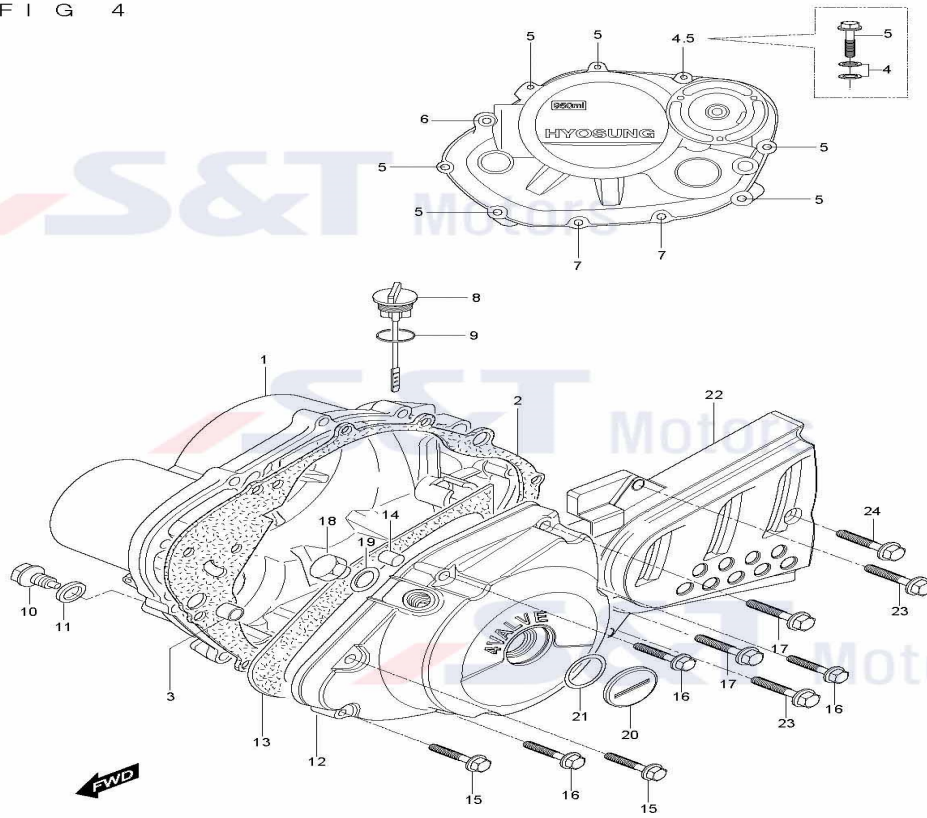
FIG 3



- 3 -

SEQ	PART CODE	PART NAME	U/S	REMARK
1	11300HG5800HPA	CRANK CASE ASS'Y (RX)	1	
2	04213-13189	PIN,CRANK CASE (GT&GV)	2	
3	01547-06558	BOLT,CRANK CASE	4	
4	01547-06608	BOLT,CAM SHAFT HOLDER (GA)	4	
5	01547-06758	BOLT,CRANK CASE	4	
6	11319-05200	PLATE,OIL GALLAY PLUG	1	
7	01107-06106	BOLT,DR SH RETAINER	1	
8	11310HG5803PCC	CRANK CASE COMP,R□□□ (RX)	1	
9	11320HG5800PCC	CRANK CASE L (RX)	1	
10	09364-12001	UNION,BREATHER HOSE	1	
11	13824-05331	CLIP	1	
12	13870H29B00	CAP COMP BREATHER	1	

FIG 4



- 4 -

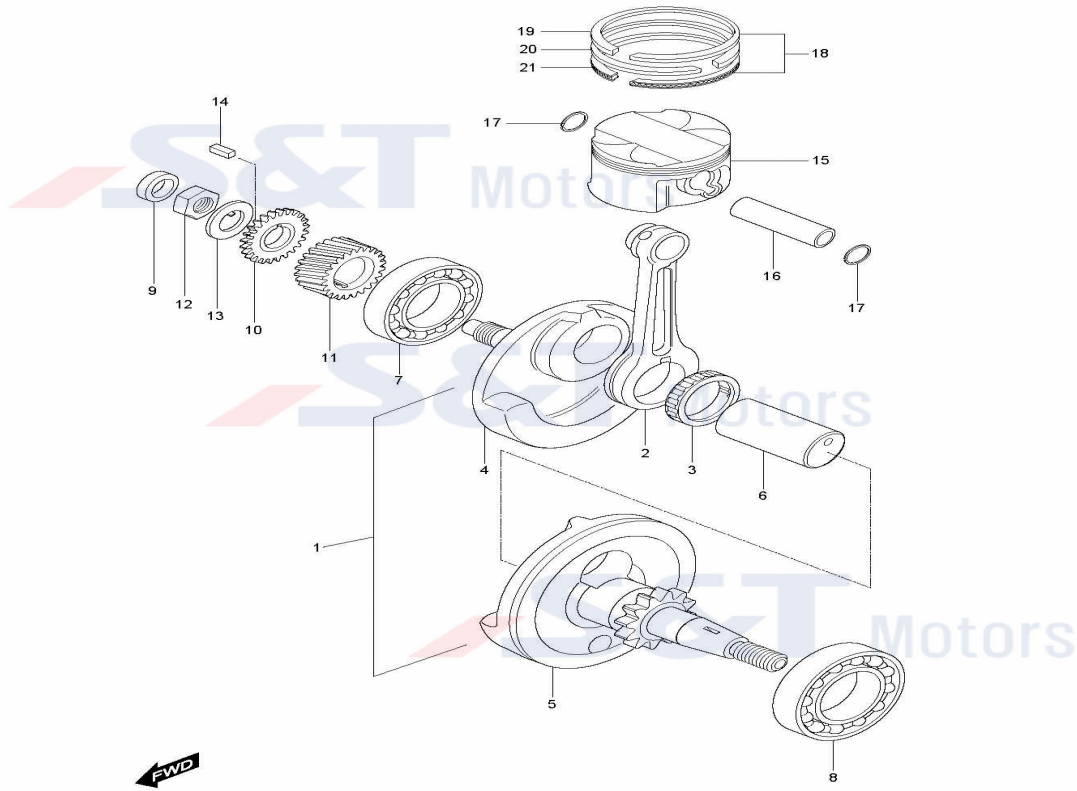
SEQ	PART CODE	PART NAME	U/S	REMARK
1	11340HG580103S	COVER,CLUTCH (RX)	1	
2	11482H05211	GASKET,CLUTCH COVER (GF125)	1	
3	04213-13189	PIN,CRANK CASE (GT&GV)	2	
4	09168H06009	GASKET OIL GALLERY PLUG (GD)	2	
5	01547-06303	BOLT,ENGINE SPROCKET COV (160)	7	
6	01547-06453	BOLT,CLUTCH COVER (GA)	1	
7	01547-06403	BOLT,CLUTCH COVER (RX)	2	
8	11971HN6400	GAUGE,OIL LEVEL (KR110)	1	
9	09280-17003	O/RING,ENGINE OIL FILTER	1	cor. 09280H17003
9-1	09280H17003	O-RING,ENGINE OIL FILTER (FX)	1	
10	09247-14026	PLUG,BOLT	1	
11	09168H14003	GASKET,OIL CHECK PLUG (SB)	1	
12	11351HG580203S	COVER,MAGNETO (RX)	1	
13	11483H05301	GASKET,MAGNETO COVER (GD)	1	
14	04213-09129	PIN,MAGNETO COVER	1	
15	01547-06303	BOLT,ENGINE SPROCKET COV (160)	2	
16	01547-06353	BOLT,MAGNETO COVER (GA)	3	
17	01547-06453	BOLT,CLUTCH COVER (GA)	2	

18	09247H12102	PLUG,T D C	1
19	09168H12003	GASKET,TDC PLUG (SB)	1
20	09259-2601503S	PLUG,CRANK SHAFT HOLE (GS)	1
21	09280-22008	O/RING,CRANK SHAFT HOLE PL	1
22	11361HG580003S	COVER,ENGINE SPROCKET (RX)	1
23	01547-06253	BOLT,MAGNETO COVER (GT650RN)	2
24	01547-06603	BOLT,ENGINE SPROCKET COVER(RX)	1

┌

└

F I G 5



- 5 -

┌

└

SEQ	PART CODE	PART NAME	U/S	REMARK
1	12200HD6301HPA	CRANK SHAFT ASS'YΦ30 (125CC)	1	
2	12161HD6301	ROD,CONNECTING (125CC)	1	
3	09263H30003	BEARING,CRANK PIN (GD)	1	
4	12221HF4600CSA	CRANK SHAFT R (125CC)	1	
5	12261H35C02CSA	CRANK SHAFT L (125CC)	1	
6	12211HF4600HPA	PIN COMP,CRANK (RT/RX)	1 =PIN+BALL	
7	09262H28003	BEARING CRANK SHAFT R (125CC)	1	
8	09262H35002	BEARING,CRANK SHAFT L(RX125SM)	1	
9	09282-12001	OIL SEAL,CRANK SHAFT RH	1	
10	16321-04B01	GEAR,OIL PUMP DRIVE	1	
11	21111HD6300	GEAR,PRIMARY DRIVE	1	
12	09140-16019	NUT,PRIMARY DRIVEN GEAR	1	
13	09166-16012	WASHER,PRIMARY DRIVEN GEAR	1	
14	09421-04004	KEY,PRIMARY DRIVEN GEAR	1	
15	12111HD6301PPS	PISTON (GA-F)	1	
15-1	12111SD6300HPA	PISTON ASS'Y (GA-F)	1	
16	12151-30B00	PIN,PISTON (GD,GA-F)	1	
17	09381-15001	CIRCLIP,PISTON PIN (GD,GA-F)	2	

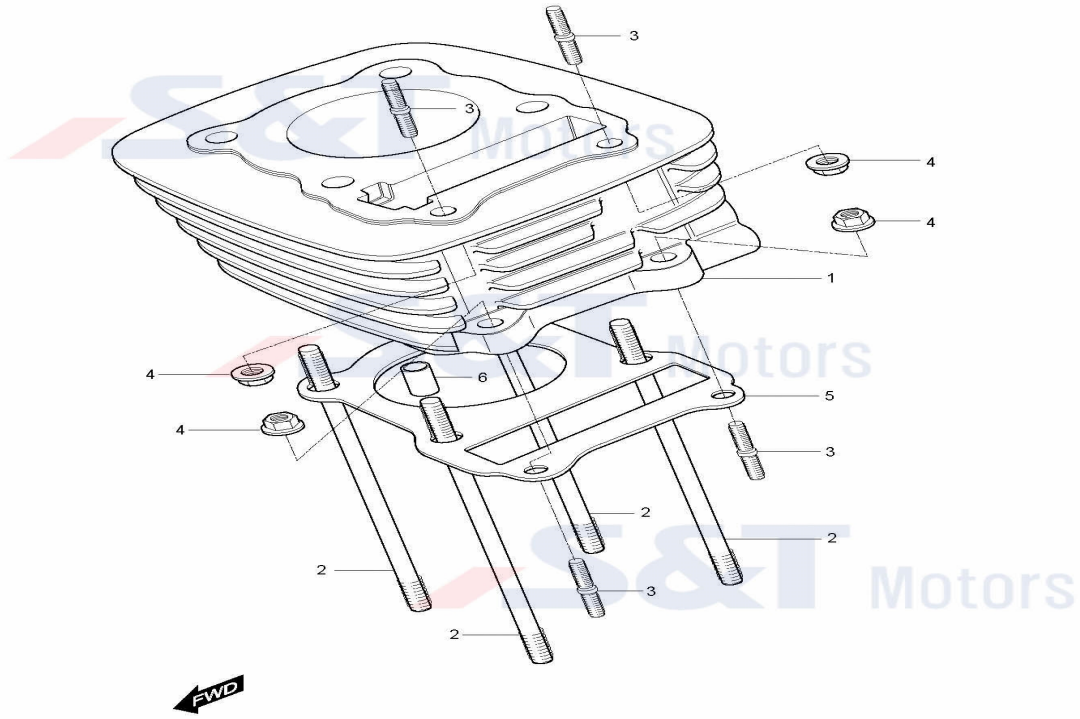
18	12140-16E00	RING SET,PISTON	(GD,GA-F)	1	12141-16E00,12142-16E00,12144-16E00
19	12141-16E00	RING,PISTON 1ST	(GD,GA-F)	1	
20	12142-16E00	RING,PISTON 2ND	(GD,GA-F)	1	
21	12144-16E00	RING,PISTON OIL	(GD,GA-F)	1	



┌

└

F I G 2



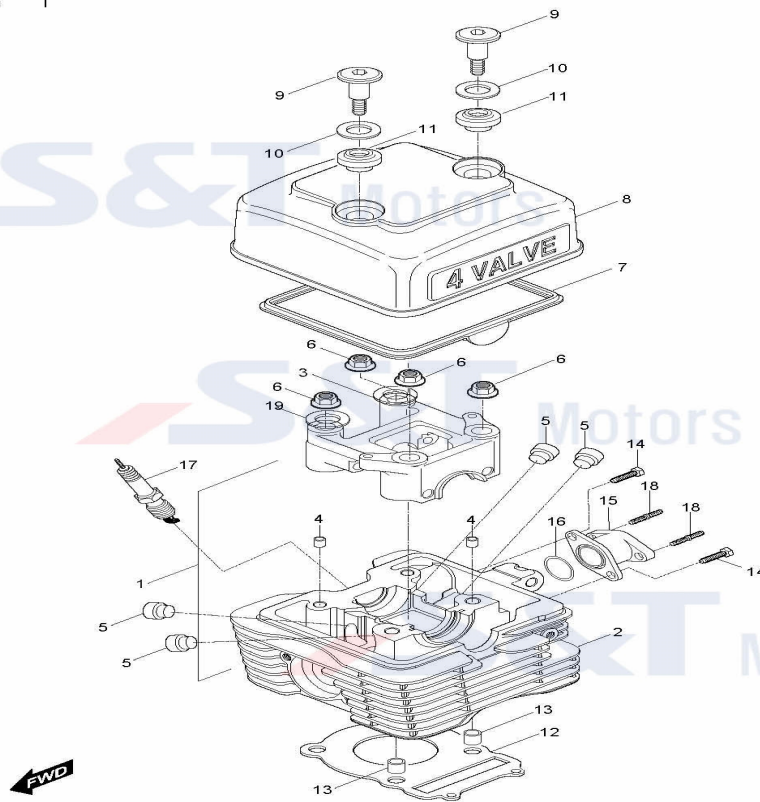
- 2 -

┌

└

SEQ	PART CODE	PART NAME	U/S	REMARK
1	11210HG5800PCY	CYLINDER COMP□□□ (RX)	1	
2	09108H08175	STUD BOLT,CYLINDER L=224(GA-F)	4	
3	01421-06258	STUD BOLT CYLINDER (GA)	4	
4	08316-16068	NUT (GV650)	4	
5	11241H05201	GASKET,CYLINDER (GAF)	1	
6	04213-11149	KNOCK PIN	2	

FIG 1

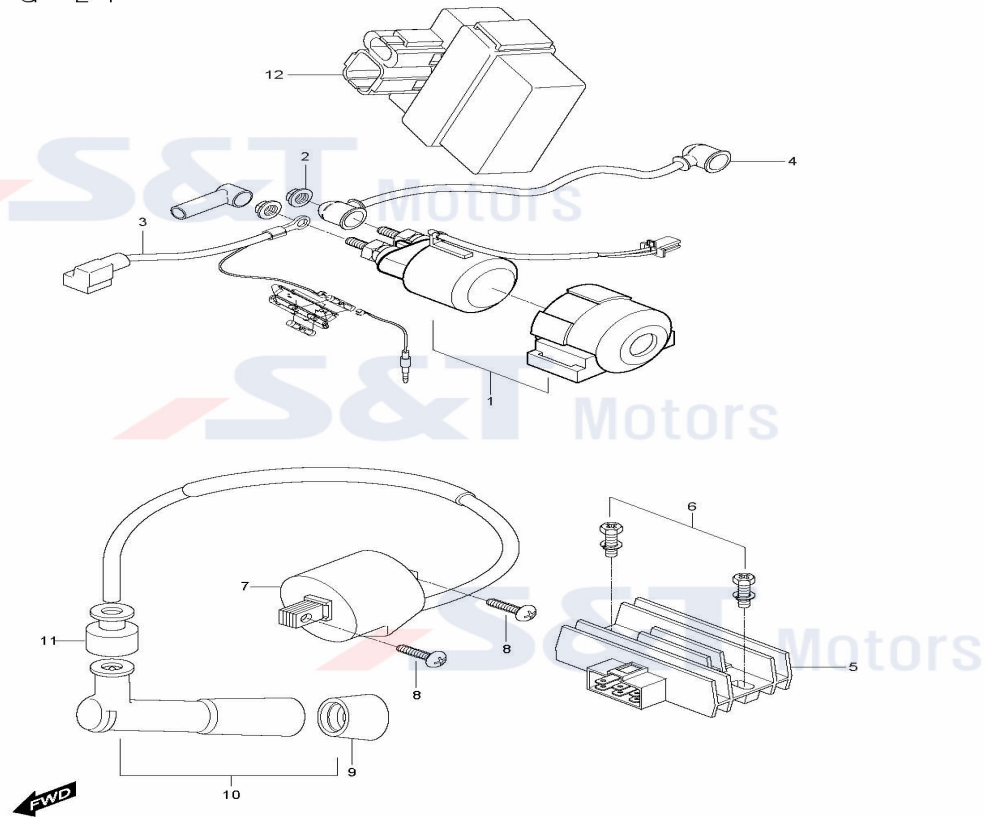


- 1 -

SEQ	PART CODE	PART NAME	U/S	REMARK
1	11110HG5800HPA	HEAD COMP,CYLINDER (RX)	1	
2	11100HG5810PCH	HEAD COMP,CYLINDER (RX125)	1	
3	11130HD6302PCH	HOLDER,CMA SHAFT (GAF)	1	
4	04213-11169	PIN,CYLINDER HEAD KNOCK (FX)	2	
5	09289-05008	SEAL,VALVE STEM OIL	4	
6	09159-08031	NUT,CYLINDER HEAD NO4	4	
7	11173HD6302	GASKET,CYLINDER HEAD COVER(GAF)	1	
8	11171HG580003S	COVER,CYLINDER HEAD (RX)	1	
9	09106H07009	BOLT,CYLINDER HEAD COVER(GAF)	2	
10	11124H93B11	WASHER CYLINDER HEAD COVER(GA)	2	
11	11123H93B01	PACKING,C/HEAD COV BOLT (GA)	2	
12	11141HG5800	GASKET,CYLINDER HEAD (RX125)	1	
13	04213-11169	PIN,CYLINDER HEAD KNOCK (FX)	2	
14	01547-06148	BOLT,BRACKET PILLION (GA)	2	
15	13110HG5802	PIPE COMP,INTAKE(MARK□□(RX)	1	
16	09280H32006	O-RING,INTAKE PIPE	1	
17	09482-00248HAS	PLUG SPARK (GA125F)	1	

18	01421-06168	STUD BOLT,CYLINDER 2	2
19	09168-08021	GASKET CYLINDER HEAD BOLT	4

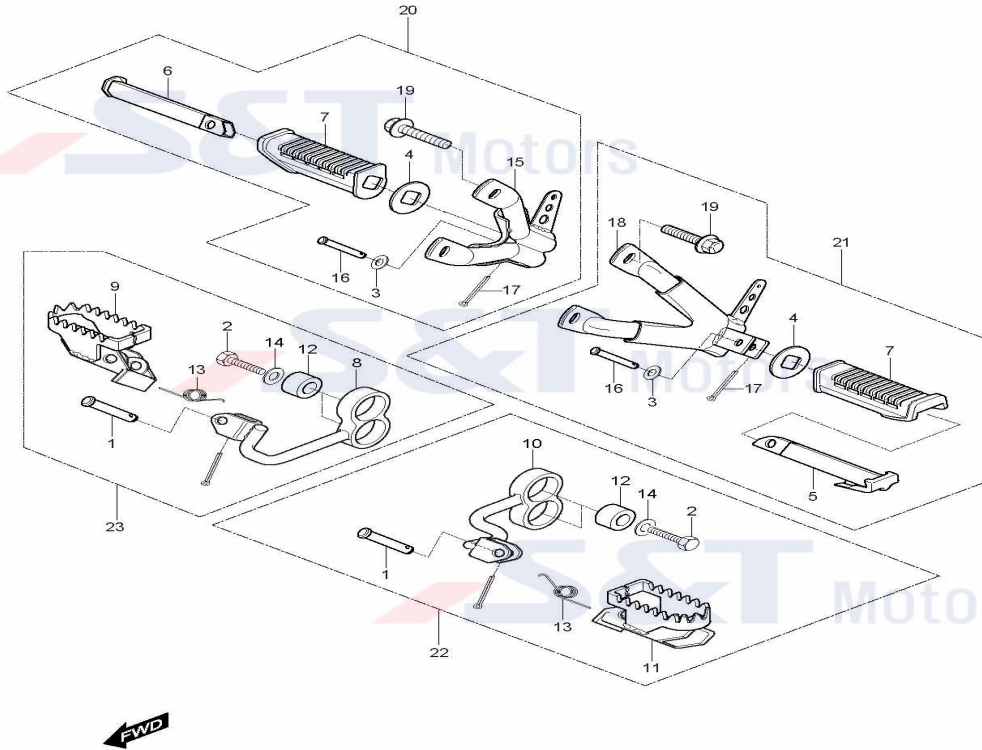
FIG 2 1



- 2 4

SEQ	PART CODE	PART NAME	U/S	REMARK
1	31800-35C00	RELAY ASS'Y S/MOTOR (GD,GA-F)	1	
2	08316-26066	NUT,REAR COMBI LAMP	2	
3	36740HG5800	FUSE CASE ASS'Y (RX)	1	
4	33850HG5800	LEAD WIRE,STARTER MOTOR (RX)	1	
5	32800H01413	REGULATOR ASS'Y (TN,RG,GS)	1	
5-1	32800HN9110	RECTIFIER REGULATOR ASSY(GT650)	1	
5-1-1	32800HN9150	RECTIFIER REGULATOR (GV125CN)	1	[2011/9/6]
6	09128-06035	BOLT,FUEL COCK	2	
6-1	01517-06166	BOLT,STEERING LOCK (GV)	2	[2011/9/6]
7	33410HG5800	COIL ASS'Y,IGNITION (RX)	1	
8	02112-46208	SCREW,ADJUSTER	2	
9	33541-38210	NULL	1	
10	33500HF4600	CAP ASS'Y S/PLUG (GF)	1	
11	33542-98000	SEAL,HIGH TENSION CORD	1	
12	32900HG5800	CDI UNIT (RX)	1	
12-1	32900HG5802	C.D.I UNIT (RX125)	1	
13	38740HD8550	RELAY ASS'Y (GD250R)	1	
14	02112-06128	SCREW,COUNTER SHAFT	1	

FIG 30

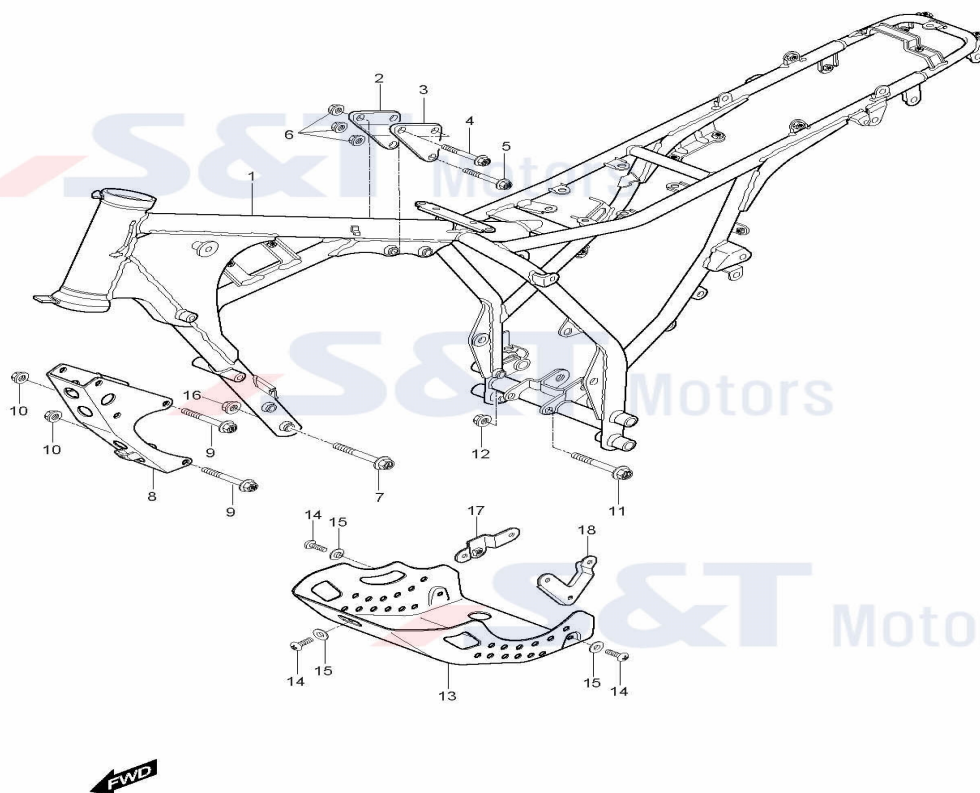


- 3 3

SEQ	PART CODE	PART NAME	U/S	REMARK
1	09200-10008	PIN,FRONT FOOTREST BKT (RX)	2	
2	09116H10061	BOLT,FRONT FOOTREST BAR	4	
3	08322-21068	WASHER HEAD LAMP AIMING	2	
4	43631-34A00	WASHER,FOOTREST RUBBER	2	
5	43710-12B01	BAR COMP,PILLION FOOT L (RX)	1	
6	43610-12B01	BAR COMP,PILLION FOOTREST R(RX)	1	
7	43551-29B21	RUBBER,PILLION FOOTREST (RX)	2	
8	43510HG5801	BAR COMP,FRONT FOOTREST R (RX)	1	
9	43550HG5800	FOOTREST COMP,FRONT R (RX)	1	
10	43520HG5801	BAR COMP FRONT FOOTREST L (RX)	1	
11	43560HG5800	FOOTREST COMP,FRONT L (RX)	1	
12	09319-10033	BUSH,FRONT FOOTREST	4	
13	09448H16001	SPRING (GA)	2	
14	08322-21108	WASHER	4	
15	43650HG580003P	BRACKET PILLION FOOTREST R(RX)	1	
16	09200H06057	PIN PILLION FOOTREST (GD)	2	
17	04111-20208	COTTER PIN	2	

18	43750HG580003P	BRACKET COMP PILLION FOOT L(RX	1
19	01517-08168	BOLT REAR AXLE BRI HOUSING	4
20	43650HG5800HPA	BRACKET PIL/FOOTREST R ASSY(RX	1
21	43750HG5800HPA	BRACKET PIL/FOOTREST L ASSY(RX	1
22	43520HG5801HPA	BAR FT FOOTREST L ASSY (RX125)	1
23	43510HG5801HPA	BAR FOOTREST R ASS'Y (RX125)	1

FIG 27

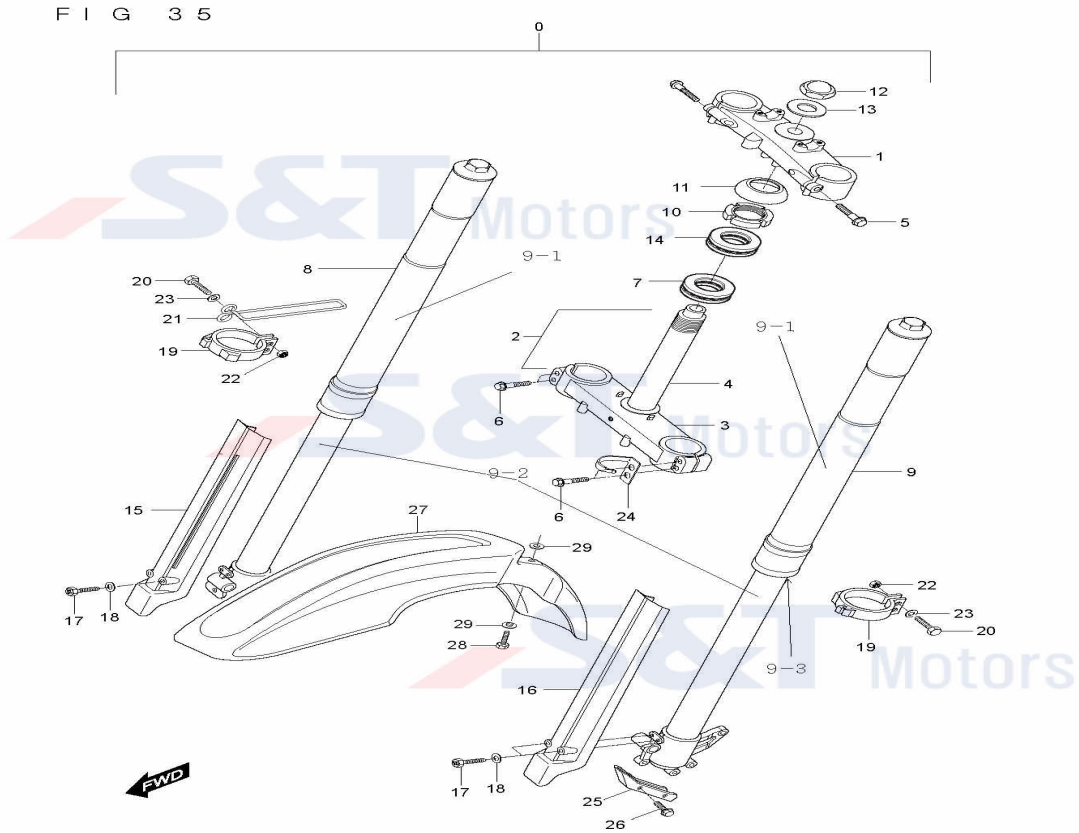


- 3 0

SEQ	PART CODE	PART NAME	U/S	REMARK
1	41100HG580903P	FRAME COMP (RX)	1	cor. 41100HG585003P
1-1	41100HG585003P	FRAME COMP (RX125)	1	
2	41993HG5801	PLATE,ENGINE MTG UPPER R (RX)	1	
3	41994HG5801	PLATE,ENGINE MTG UPPER L (RX)	1	
4	01517-08608	BOLT,ENGINE MOUNTING UPPER(RX)	2	
5	01517-08508	BOLT,CHAIN ADJUSTER SP	1	
6	08319-31088	NUT,PILLION FOOTREST	3	
7	01517-08658	BOLT,ENGINE MOUNT,LOW	2	
8	41990HG580103P	BRACKET,ENGINE MTG LOWER (RX)	1	
9	09103H10149	BOLT,ENGINE MOUNT L80	2	
10	08319-31108	NUT,FRONT SORBER	2	
11	09103-08010	BOLT,ENGINE MOUNT L 90	1	
12	08319-31088	NUT,PILLION FOOTREST	1	
13	42511HG5850	GUARD,ENGINE (RX)	1	
14	02142-06125	SCREW,COVER LEG SHIELD	3	
15	09169-06034	WASHER,LEG SHIELD	3	
16	08319-31088	NUT,PILLION FOOTREST	2	

17	41140HG580303P	TUBE COMP DOWN (RX)	1
18	01517-08728	BOLT E/G MOUNTING REAR (GA)	1
19	01517-08168	BOLT REAR AXLE BRI HOUSING	2

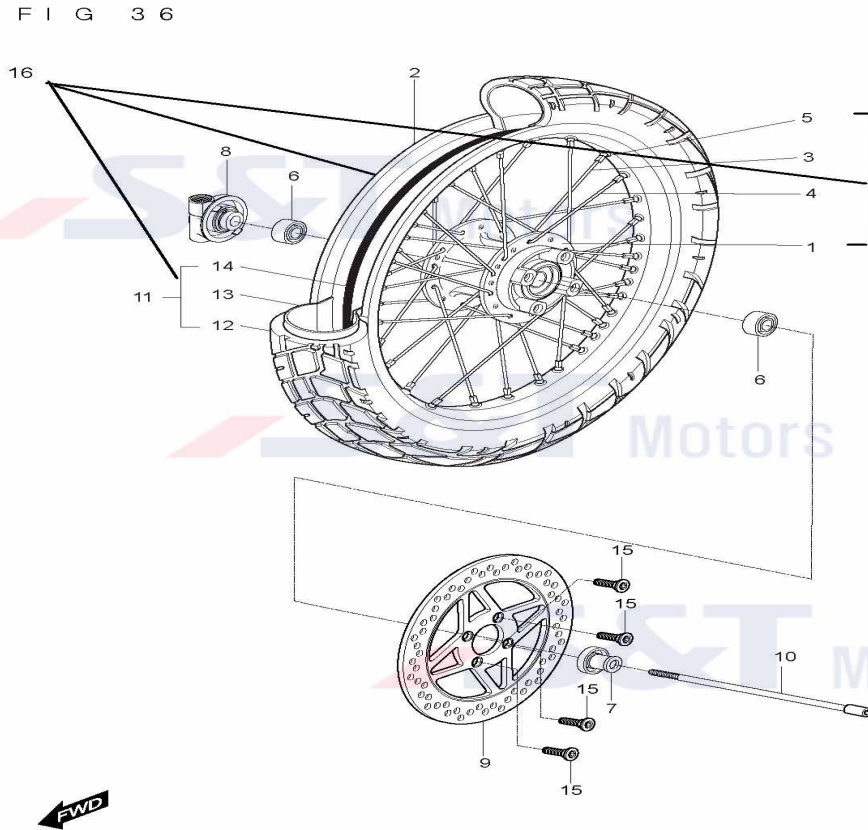




- 3 8

SEQ	PART CODE	PART NAME	U/S	REMARK
0	51100HG5800HPA	FORK FRONT ASS'Y (RX125)	1	
1	51311HG581303P	BRACKET,FRONT FORK UPPER (RX)	1	
2	51412HG5800HPA	UNDER BRACKET COMP (RX)	1	
3	51411HG581003P	BRACKET,FRONT FORK UNDER (RX)	1	
4	51412HG5811	STEERING,STEM (RX)	1	
4-1	51412SG5811	STEERING,STEM (RX125)	1	[2011/2/25]
5	01517-10458	BOLT,PILLTON FOOTREST RH	2	
6	01517-08468	BOLT E/G M.T.G UPPER (GV650)	4	
7	09265H25001	BEARING,STEERING UPPER (RX)	1	
8	51103HG5801	FORK COMP,FRONT R (RX)	1	
9	51104HG5800	FORK COMP,FRONT L (RX)	1	
9-1	52220-G5800	NULL	2	
9-2	52110-G5800	NULL	2	
9-3	51255HG5800	OIL SEAL,FT FORK (RX)	2	
10	51631-28000	NUT,STEERING	1	
11	51643HG5801	DUST SEAL,STEERING UPPER (RX)	1	
12	09159H22001	NUT,STEERING UPPER (RX)	1	

12-1	09159H22102	NUT,STEERING UPPER (GT650RN)	1
13	09160H22031	WASHER,STEERING UPPER (RX)	1
14	09265H28001	BEARING,STEERING LOWER (RX)	1
15	51201HG5800	PROTECTOR,FRONT FORK R (RX)	1 cor. WHITE=>BLACK:51201HG580011B
15-1	51201HG580011B	PROTECTOR,FRONT FORK R (RX)	1 [2010/6/14]
16	51202HG5800	PROTECTOR,FRONT FORK L (RX)	1 cor. WHITE=>BLACK:51202HG580011B
16-1	51202HG580011B	PROTECTOR,FRONT FORK L (RX)	1 [2010/6/14]
17	02142-05125	SCREW,HANDEL COVER FRONT&REAR	4
18	09169-05008	WASHER,HANDLE COVER NO1	4
19	51210HG5801	GUARD,FRONT FORK FROTECT (RX)	2
20	02112-05258	SCREW,ENGINE SPROCKET COVER	4
21	34938HG5800	GUIDE,SPEEDOMETER CABLE (RX)	1
22	08316-26055	NUT,FRONT TURN SIGNAL LAMP	4
23	08322-21058	WASHER,HEAD LAMP UNIT	4
24	59266HG5800	CLAMP,BRAKE HOSE NO1 (RX)	1
25	59268HG5801	CLAMP,BRAKE HOSE (RX)	1
26	01517-06125	BOLT,COVER CYLINDER HEAD	2
27	53111HG58503R1	FRONT FENDER (RX)	1
27	53111HG585016B	FRONT FENDER (RX)	1
27	53111HG58506B1	FRONT FENDER (RX125)	1
28	01104-06208	BOLT,TENSIONAL ADJUSTER	4
29	09169-06053	WASHER GUIDE UPPER SIDE (GD)	8



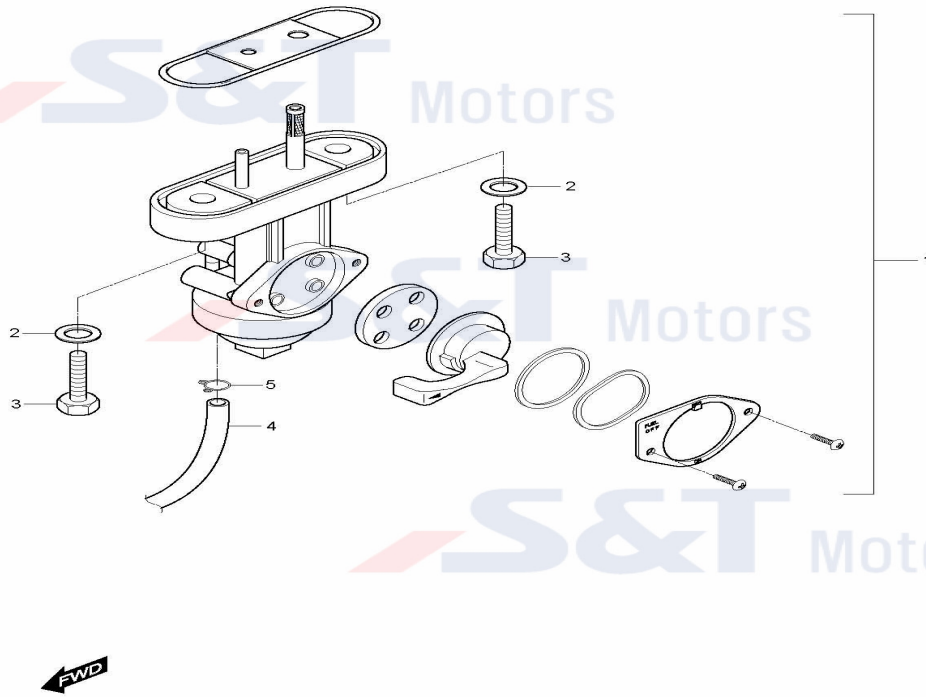
- 3 9

SEQ	PART CODE	PART NAME	U/S	REMARK
1	54110HG5806	HUB,FRONT (RX)	1	
2	55311HG5850	RIM,FRONT WHEEL(1.6*21 FE)(RX)	1	
3	55321HG5801	SPOKE FRONT WHEEL INNER (RX)	18	
4	55322HG5801	SPOKE,FRONT WHEEL OUTER (RX)	18	
5	65325-03020	NIPPLE (FX ECO)	36	
6	08123-62027	BEARING,FT HUB R 6202DC3	2	
7	54750HG5800	SPACET COMP,FRONT AXLE L (RX)	1	
8	54600HG5802	BOX ASS'Y,SPEEDOMETER GEAR(RX)	1	
9	59211HG5800	DISK,FRONT BRAKE (RX)	1	
10	54711HG5810	AXLE,FRONT (RX)	1	
11	55310HG5850HPA	FRONT WHEEL+TIRE ASS'Y (RX)	1	
12	55100HG5800	TIRE COMP,FRONT(2.75-21,49P)(RX)	1	
13	55200-16510	TUBE,WHEEL (MX)	1	
14	55261-16510	PROTECTOR,TUBE	1	
15	59421-03A01	BOLT,FRONT BRAKE DISK (SBS)	4	
16	54110HG5806HPA	FRONT WHEEL ASS'Y (RX)	1	
17	54731HG5800	SPACER FRONT AXLE (RX)	1	

┌

└

F I G 3 2



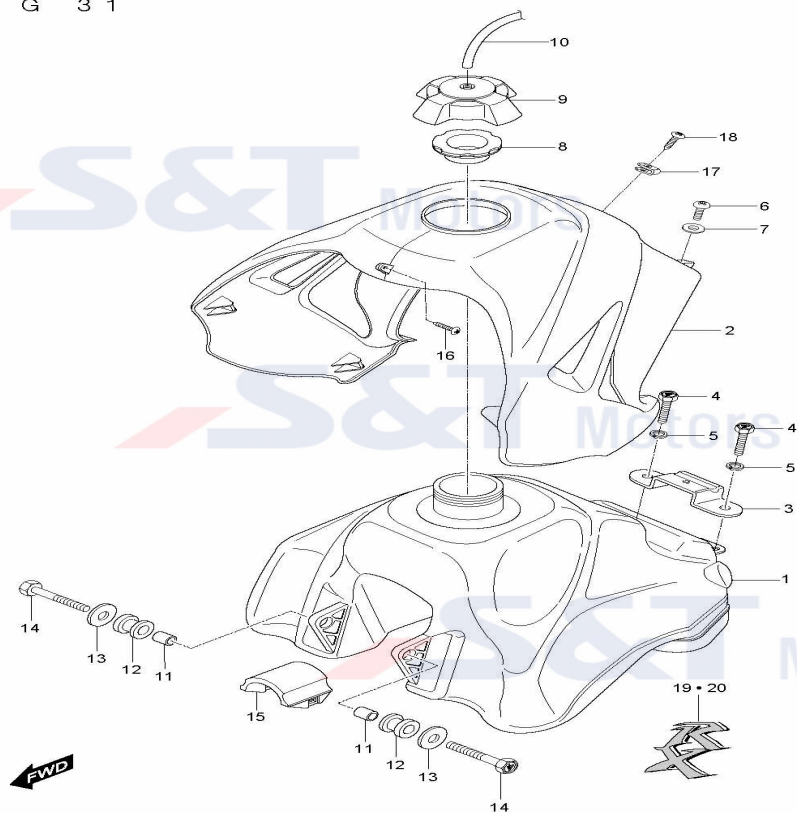
- 3 5

┌

└

SEQ	PART CODE	PART NAME	U/S	REMARK
1	44300HG5802	FUEL COCK (RX)	1	
2	09168-06010	GASKET FUEL LEVEL GAUGE (GA)	2	
3	09128-06005	BOLT,FUEL COCK	2	
4	44191HG5800	HOSE,FUEL (L=140) (RX)	1	
5	09401-08401	CLIP,FUEL HOSE (GPS)	1	

FIG 3 1



- 3 4

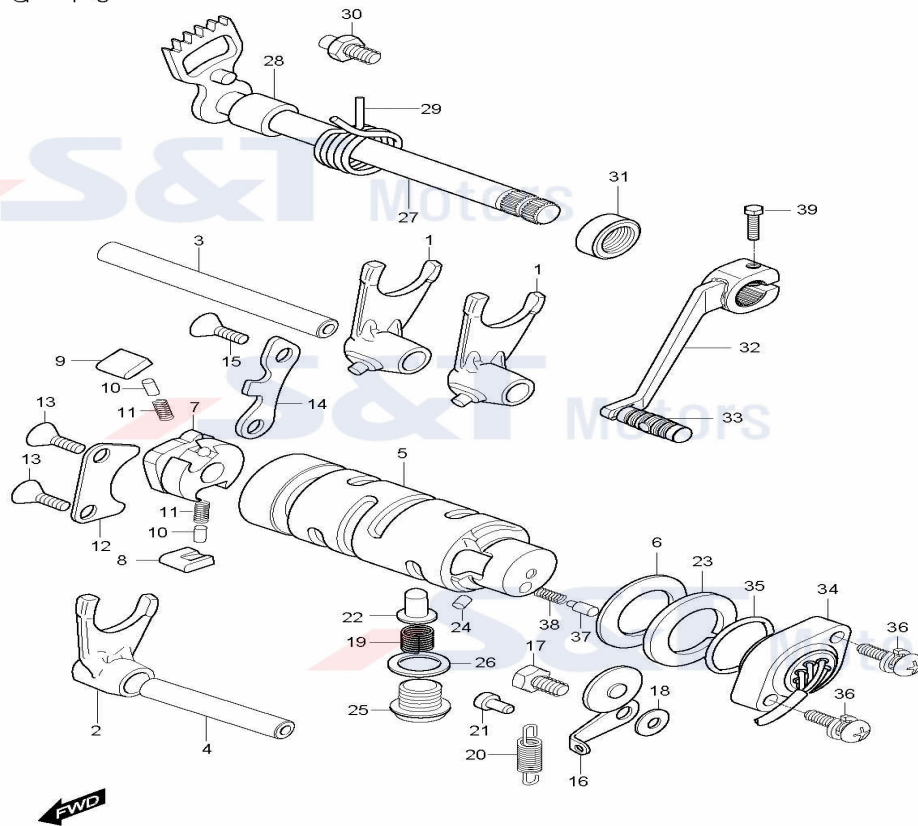
SEQ	PART CODE	PART NAME	U/S	REMARK
1	44110HG5810	FUEL TANK COMP(□□□□ (RX)	1	
1-1	44110HG5810PAH	FUEL TANK ASSY (RX JEU)	1	
2	44500HG58600CR	COVER FUEL TANK ASS'Y (RX)	1	
2-1	44500HG58500CR	COVER ASS'Y,FUEL TANK (RX)	1	
2-1	44500HG58300SY	COVER,FUEL TANK(□□)(RX125)	1	COLORED SCIENCE YELLOW
2-2	44500HG58300CB	COVER FUEL TANK (RX125)	1	COBALT BLUE
3	45119HG5800	PLATE,SEAT FRONT HOOK (RX)	1	
4	01137-06208	BOLT,EXHAUST PIPE	2	
5	09180H06067	SPACER,FUEL TANK REAR (RX)	2	
6	02142-06125	SCREW,COVER LEG SHIELD	2	
7	09169-06034	WASHER,LEG SHIELD	2	
8	44248-05210	GASKET,F/CAP	1	
9	44210HG5801	CAP,FUEL TANK FILTER (RT125)	1	
10	09343-05052	HOSE,FUEL	1	
11	09180H06069	SPACER,FUEL TANK (TE50)	2	
12	09320H10038	CUSH,FUEL TANK FRONT (RX)	2	
13	09160-06004	WASHER	2	
14	01104-06258	BOLT,BRAKE PEDAL	2	

15	44541HG5800	CUSHION FUEL TANK UPPER (RX)	1
16	03241-15125	SCREW,CENTER FENDER	1
17	09148-05004	NUT	1
18	03241-15125	SCREW,CENTER FENDER	1
19	68114HG58000LZ	EMBLEM,FUEL TANK R (RX)	1
19-3	68114HG58500LZ	EMBLEM,FUEL TANK R (RX)	1
19-1	68114HG58000NI	EMBLEM,FUEL TANK R (RX)	1
19-4	68114HG58500NI	EMBLEM,FUEL TANK R (RX)	1
19-2	68114HG58000NK	EMBLEM,FUEL TANK R (RX125)	1
19-5	68114HG58500NK	EMBLEM,FUEL TANK R (RX125)	1
20	68116HG58000LZ	EMBLEM,FUEL TANK L (RX)	1
20-3	68116HG58500LZ	EMBLEM,FUEL TANK L (RX)	1
20-1	68116HG58000NI	EMBLEM,FUEL TANK L (RX)	1
20-4	68116HG58500NI	EMBLEM,FUEL TANK L (RX)	1
20-2	68116HG58000NK	EMBLEM,FUEL TANK (RX125)	1
20-5	68116HG58500NK	EMBLEM,FUEL TANK L (RX125)	1
21	68319H05330	PLATE CAUTION □□□□	1
21-1	68319H93B30015	PLATE,CAUTION□□ (GA-FG01)	1
21-1	68319H05301PL	LABEL,CAUTION□□GT/GV/RT/RX	1

┌

└

FIG 16



- 1 8

┌

└

SEQ	PART CODE	PART NAME	U/S	REMARK
1	25211-05200	FORK,GEAR SHIFT NO1(TN,RG,GS)	2	
2	25231-05201	FORK,GEAR SHIFT NO3(TN,RG,GS)	1	
3	25411-05201	SHAFT GEAR SHIFT FORK NO1	1	
4	25421-35403	SHAFT SHIFT FORK (GV250N)	1	
5	25310-05200	CAM,GEAR SHIFT (TN,RG,GS)	1	
5-1	25310S05200HPA	CAM GEAR SHIFT ASS'Y(GA,GD,TN)	1	
6	08211-25401	WASHER,GEAR SHIFT CAM	1	
7	25322-31301	GEAR,SHIFT CAM DRVN(TN,RG,GS)	1	
8	25323-34201	PAWL,GEAR SHIFT NO1(TN,RG,GS)	1	
9	25324-34201	PAWL,GEAR SHIFT NO2(TN,RG,GS)	1	
10	09261-05003	PIN,GEAR SHIFT	2	
11	09440-04003	SPRING,GEAR SHIFT PLATE	2	
12	25331-30000	LIFTER,GEAR SHIFT (TN,RG,GS)	1	
13	02122-06128	SCREW,OL GR SH	2	
14	25341-05200	GUIDE,GEAR SHIFT CAM	1	
15	02122-06128	SCREW,OL GR SH	2	
16	25350-44A00	STOPPER GEAR SHIFT CAM(GD,GA-F)	1	
17	09111-06019	BOLT,GEAR SHIFT CAM STOP	1	

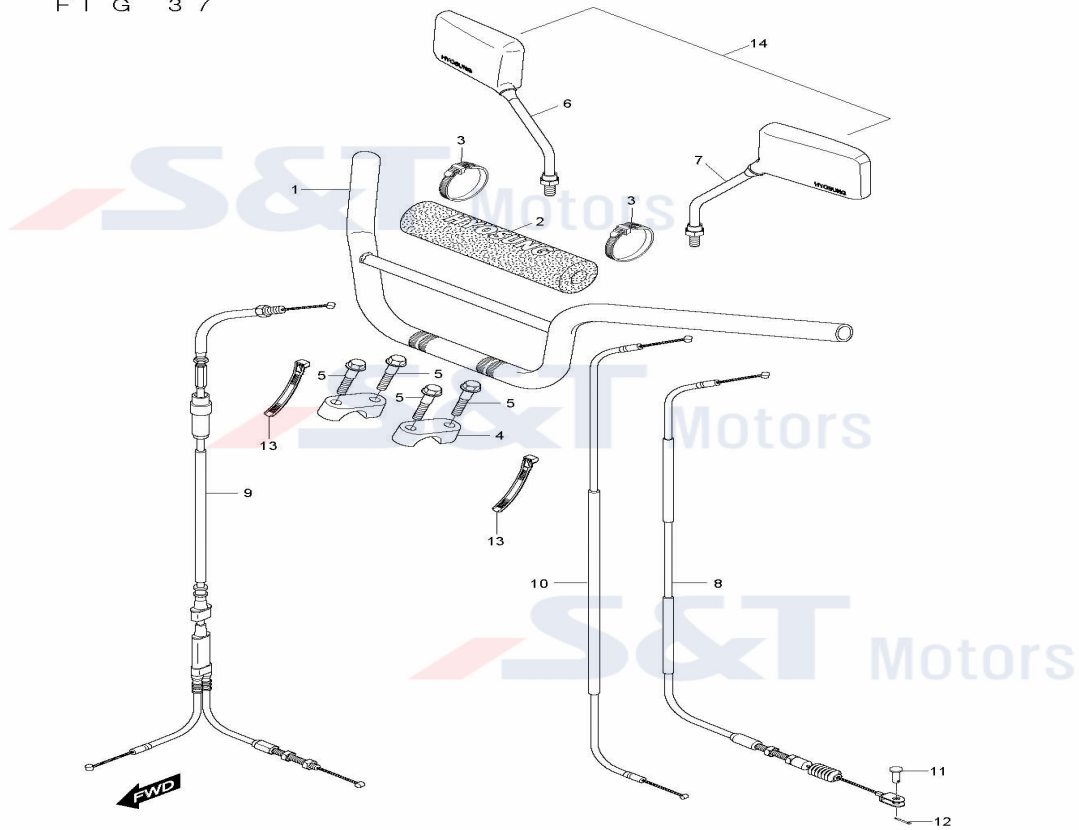
18	08211-06141	WASHER,GEAR SHIFT CAM	1
19	09440-11016	SPRING GEAR SHIFT CAM STOP	1
20	09443-08044	SPRING GEAR SHIF CAM STOP	1
21	09223-04001	HOOK,GEAR SHIFT CAM	1
22	25351-30010	STOPPER,GEAR SHIFT CAM N.	1
23	25381-45400	PLATE,GEAR SHIFT CAM STOPPER	1
24	04221-04069	PIN,GEAR SHAFT CAM	1
25	09247-14026	PLUG,BOLT	1
26	09168H14003	GASKET,OIL CHECK PLUG (SB)	1
27	25510-05400	SHAFT SET,GEAR SHIFT (TN,RG)	1
28	09180-12068	SPACER,SHAFT GEAR SHTG	1
29	09444-26013	SPRING	1
30	25671-01000	STOPPER,GR SHIFT	1
31	09285-12002	OIL SEAL,GEAR SHIFT (GV250)	1
32	25600HG5802	LEVER ASSY,GEAR SHIFT CAM (RX)	1
33	25652HG5800	RUBBER,GEAR SHIFT (RX)	1
34	37720HG5802	SWITCH ASS'Y NEU (RX125)	1
35	09280-26003	O/RING,GEAR SHIFT SWITCH	1
36	02112-95208	SCREW	2
37	09209-05011	CONTACT,GEAR S SWITCH	1
38	09440-04010	SPRING,GEAR SWITCH	1
39	01104-06208	BOLT,TENSIONAL ADJUSTER	1



┌

└

FIG 37



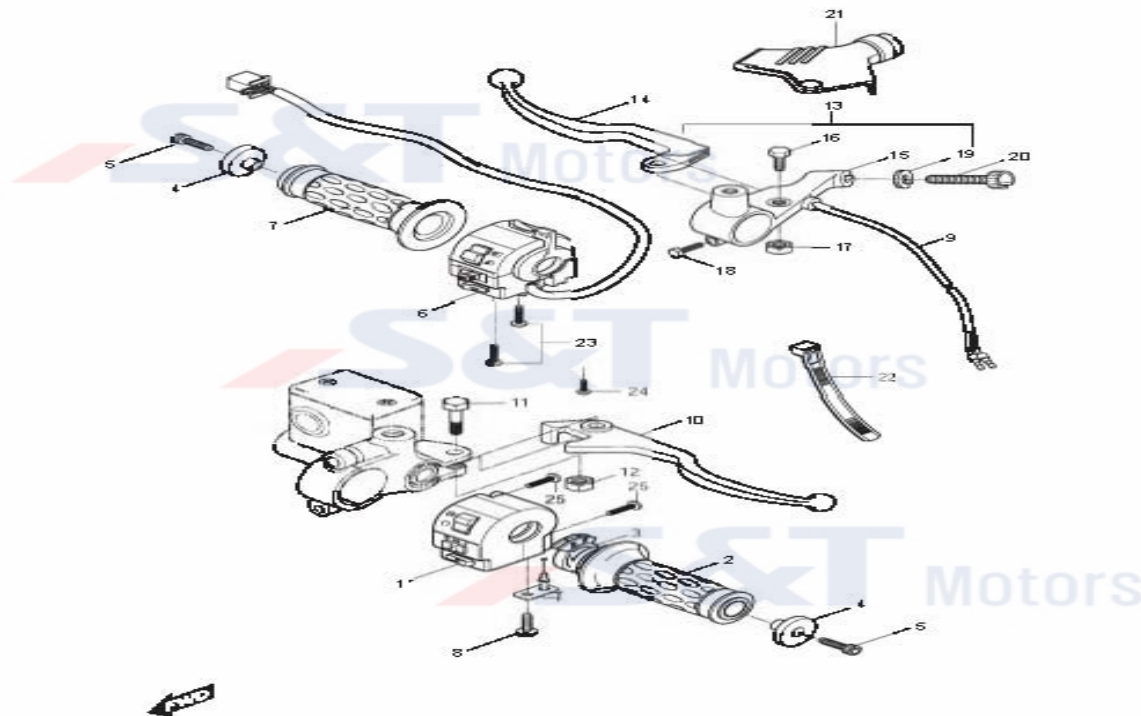
- 4 0

┌

└

SEQ	PART CODE	PART NAME	U/S	REMARK
1	56110HG5856PAM	HANDLE BAR (RX125)	1	
2	56172HG5800HAS	PAD CROSSBAR (RX)	1	
3	09407-18401	CLAMP,WIRING HARNESS	2	
4	56211-272A0	CLAMP,HANDLE HOLDER	2	
5	01517-08355	BOLT,HANDLE BAR HOLDER (RX)	4	
6	56500HM5450	MIRROR ASS'Y,REAR VIEW R(GT125)	1	
7	56600HM5450	MIRROR ASS'Y,REAR VIEW L(GT125)	1	
8	58200HG5802	CABLE ASS'Y,CLUTCH (RX)	1	
9	58300HG5805	CABLE ASS'Y,THROTTLE (RX)	1	
10	58410HG5808	CABLE ASS'Y,STARTER (RX)	1	
11	09200-06004	PIN,CLUTCH	1	
12	04111-20158	COTTER PIN	1	
13	09407-14403	CLAMP,STRNINER(125MM) (EZ)	2	
14	56501HM5450	MIRROR SET□□□ (RT125)	1	
15	56271HF4501PLT	BALANCER HANDLE BAR (GPS)	2	
16	07110-08258	BOLT,FRAME JOINT	2	

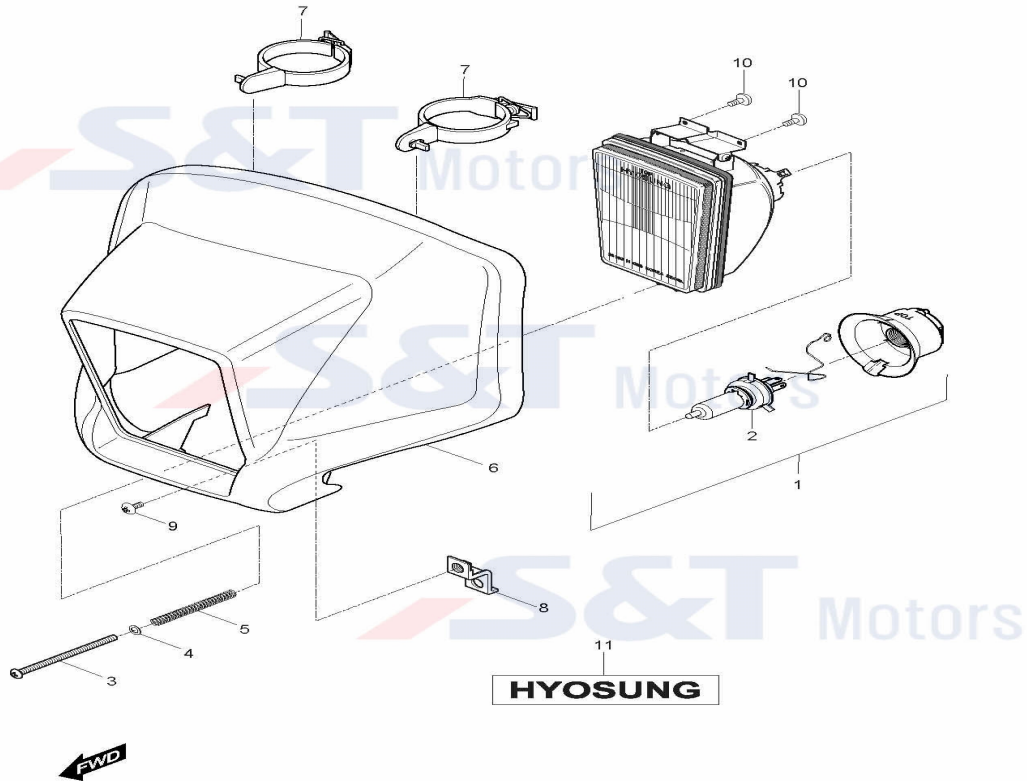
FIG



SEQ	PART CODE	PART NAME	U/S	REMARK
1	37200HM5401	SWITCH ASS'Y,HANDLE R (RT125)	1	
1-1	37200H35C20	SWITCH ASS'Y,HANDLE R (GD)	1	
1-1	37200H35C10	SWITCH ASS'Y,HANDLE R (RX)	1	
2	57110HG5803	GRIP COMP,THROTTLE (RX)	1	
3	57113H93B00	COVER,THROTTLE GRIP	1	
4	56271HF4501PLT	BALANCER HANDLE BAR (GPS)	2	
5	07110-08208	BOLT,ENGINE MOUNT FRONT (GA)	2	
6	37400H35C10	SWITCH ASS'Y,HANDLE L (GD)	1	
7	57211HG5800	GRIP, LH (RX)	1	
8	02112-05105	SCREW,FRONT FORK COVER	1	
9	57460-17C00	SWITCH ASS'Y STOP (AG,SB)	1	
10	57421HN3202	BRAKE LEVER (GT250)	1	
11	57431H05D00	SCREW BRAKE LEVER PIVOT(GT250P)	1	
12	08319-21065	NUT,BRAKE LEVER	1	
13	57500HG5801	LEVER ASS'Y,CLUTCH (RX)	1	
14	57620HM8100	LEVER CLUTCH (GT250)	1	
15	57511HG5800	HOLDER,CLUTCH LEVER (RX)	1	
16	57431H05D00	SCREW BRAKE LEVER PIVOT(GT250P)	1	

17	08319-21065	NUT,BRAKE LEVER	1
18	57451HG5800	BOLT,CLUTCH LEVER HOLDER(RX125	1
19	57442H93B00	LOCK NUT	1
20	57441H93B00	WIRE ADJUSTER (GA)	1
21	57661HJ8200	COVER,CLUTCH LEVER (GV250)	1
22	09407-14403	CLAMP,STRNINER(125MM) (EZ)	2
23	02112-05455	SCREW,MAGNETO COVER (GPS12	2
24	02112-05105	SCREW,FRONT FORK COVER	1
25	02112-05205	SCREW,LICENSE LAMP (GT650RN)	2 cor. 02112-05208
25-1	02112-05208	SCREW,CARBURETOR INSPECTIO CAP	2

FIG 23



- 2 6

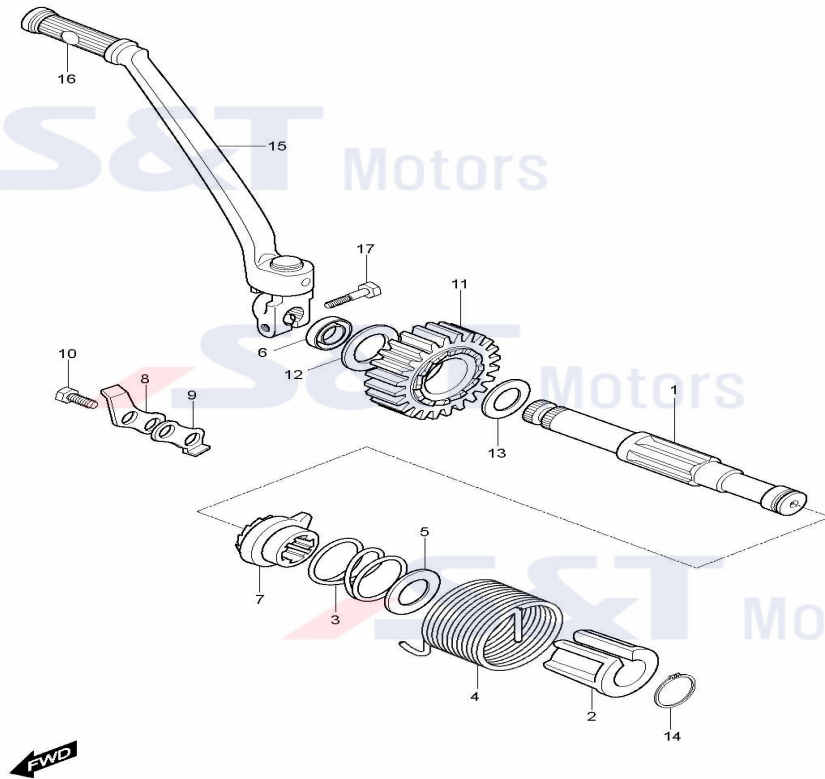
SEQ	PART CODE	PART NAME	U/S	REMARK
1	35100HG5801	HEAD LAMP ASS'Y (RX)	1	?TYPE
1-1	35100HG5850	HEAD LAMP ASSY (RX)	1	?TYPE
1-1	35100HG5860	HEAD LAMP□□□□ (RX)	1	
2	09471-12104	BULB,HEAD LAMP(H4:60/55W) (RX)	1	
3	35151HG5800	SCREW,HEAD LAMP AIMING (RX)	1	
4	35155HG5800	WASHER,HEAD LAMP AIMING (RX)	1	
5	35154HG5800	SPRING,HEAD LAMP AIMING (RX)	1	
6	51811HG58023R1	COVER HEAD LAMP HOUSING(RX125)	1	
6-3	51811HG58503R1	COVER,HEAD LAMP HOUSING (RX)	1	
6-1	51811HG580216B	COVER HEAD LAMP HOUSING(RX125)	1	
6-4	51811HG585016B	COVER HEAD LAMP HOUSING (RX)	1	
6-2	51811HG58026B1	COVER,HEAD LAMP HOUSING(RX125)	1	
6-5	51811HG58506B1	COVER,HEAD LAMP HOUSING(RX125)	1	
7	51815HG5802	BAND,HEAD LAMP HOUSING (RX)	2	
8	51816HG5802	PLATE,HEAD LAMP HOUSING (RX)	1	
8-1	51816HG5850	PLATE HEAD LAMP HOUSING (RX)	1	

9	02142-06125	SCREW,COVER LEG SHIELD	1
10	03241-05125	SCREW LOWER COVER CENT (EZ,	2
11	68210HG58000NO	EMBLEM,HYOSUNG (RX)	1

┌

└

F I G



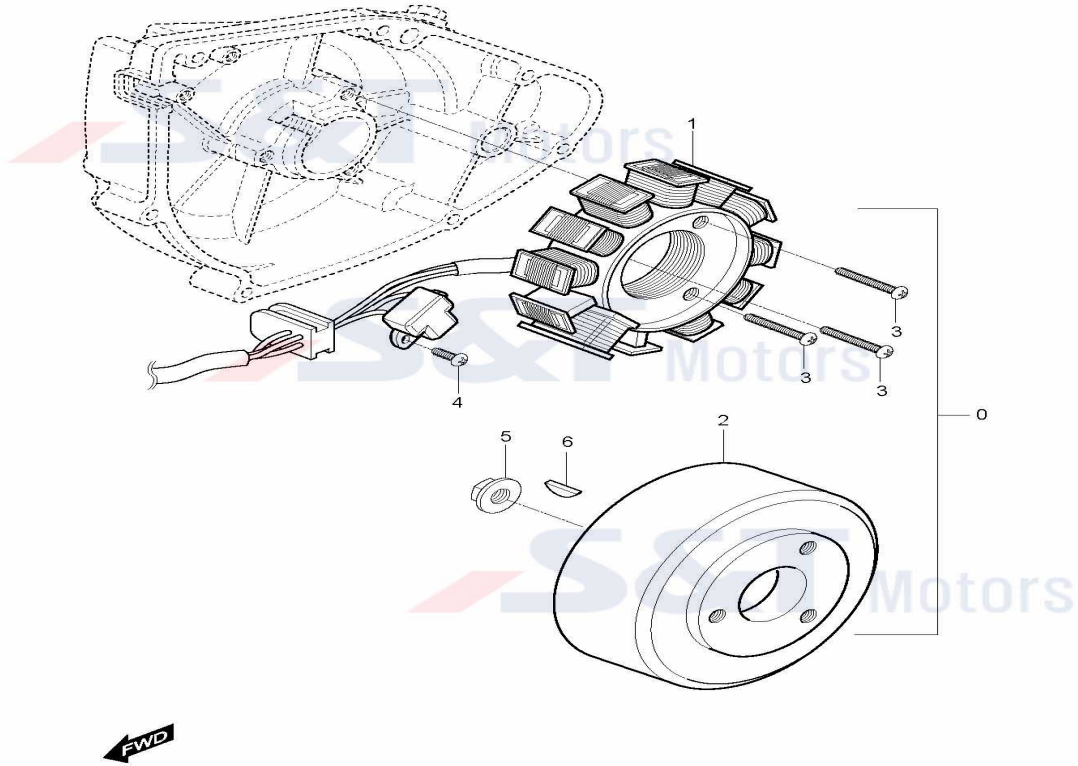
- 2 0

┌

└

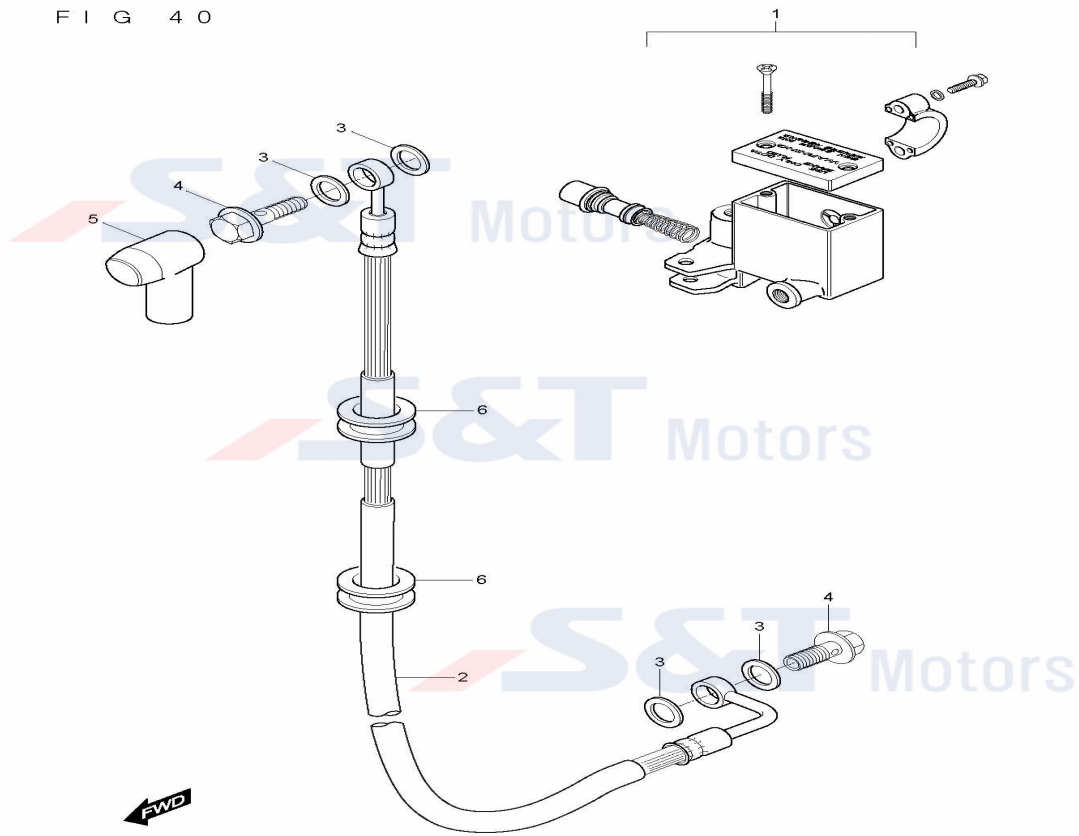
SEQ	PART CODE	PART NAME	U/S	REMARK
1	26211HG5800	SHAFT,KICK START (RX)	1	
2	26221-05200	GUIDE,KICK STARTER SHAFT	1	
3	09440-32006	SPRING,KICK STARTER	1	
4	09448-45003	SPRING,KICK STARTER SHAFT	1	
5	08211-17341	THRUST WASHER OVER RUN	1	
6	09285-16003	OIL SEAL,KICK STARTER,SH	1	
7	26231-38200	STARTER,KICK (TN,RG,GS)	1	
8	26232-38200	GUIDE,KICK STARTER (TN,RG,GS)	1	
9	26233-32400	STOPPER,KICK STARTR(TN,RG,GS)	1	
10	01107-08208	BOLT,KICK STARTER STOPPER	1	
11	26240-05201	GEAR,KICK START DRV(TN,RG,GS)	1	
12	09160-16003	WASHER,KICK START	1	
13	08211-20261	WASHER,KICK DRIVE GEAR	1	
14	09380-17001	CIRCLIP,3RD GEAR	1	
15	26300HG5802	LEVER ASS'Y,KICK STARTER (RX)	1	
16	26352HE6100	RUBBER KICK PEDAL (FX)	1	
17	01107-08258	BOLT,REAR SPROCKET	1	

FIG 19



- 2 2

SEQ	PART CODE	PART NAME	U/S	REMARK
0	32100HG5800	MAGNETO ASSY (RX)	1	
1	32101HG5800	STATOR ASS'Y (RX)	1	
2	32102HG5800	ROTOR ASSY (RX)	1	
3	02112-05258	SCREW,ENGINE SPROCKET COVER	3	
4	02112-05128	SCREW,GEAR SHIFT SWITCH	2	
5	08316-26108	NUT,MAGNET FLY WHEEL (SD)	1	
6	08341-31039	KEY,PRIMARY GEAR MAG	1	

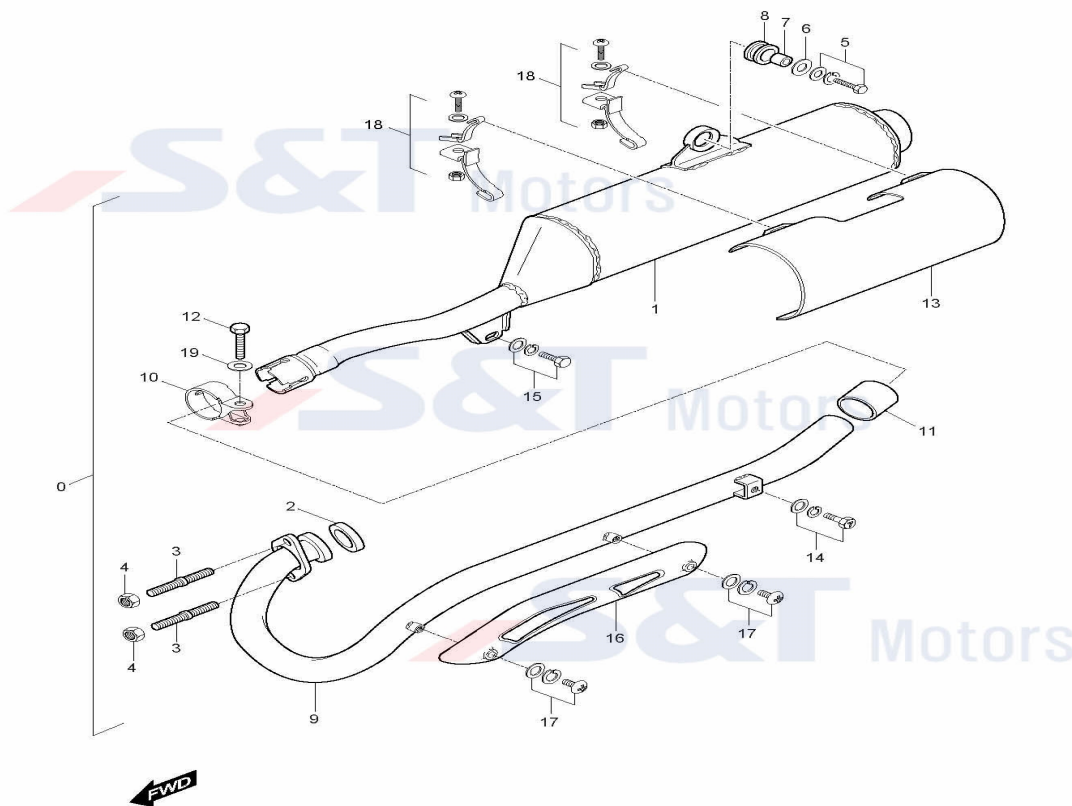


- 4 3

SEQ	PART CODE	PART NAME	U/S	REMARK
1	59600-35C03	CYL ASS'Y,FRONT MASTER (GD)	1	cor. 59600HM8182
1-1	59600HM8182	CYL ASS'Y,FRONT MASTER (GT)	1	
2	59480HG5806	HOSE COMP,FRONT BRAKE (RX)	1	
3	09161-10009	WASHER,BRAKE FLUID (FX)	4	
4	09360-10039	BOLT BRAKE FLUID (AG)	2	
5	59711H49002	BOOT,MASTER CYLINDER (TN,GA,GD)	1	
6	59265HG5800	GUIDE BRAKE HOSE (RX)	2	



FIG 12

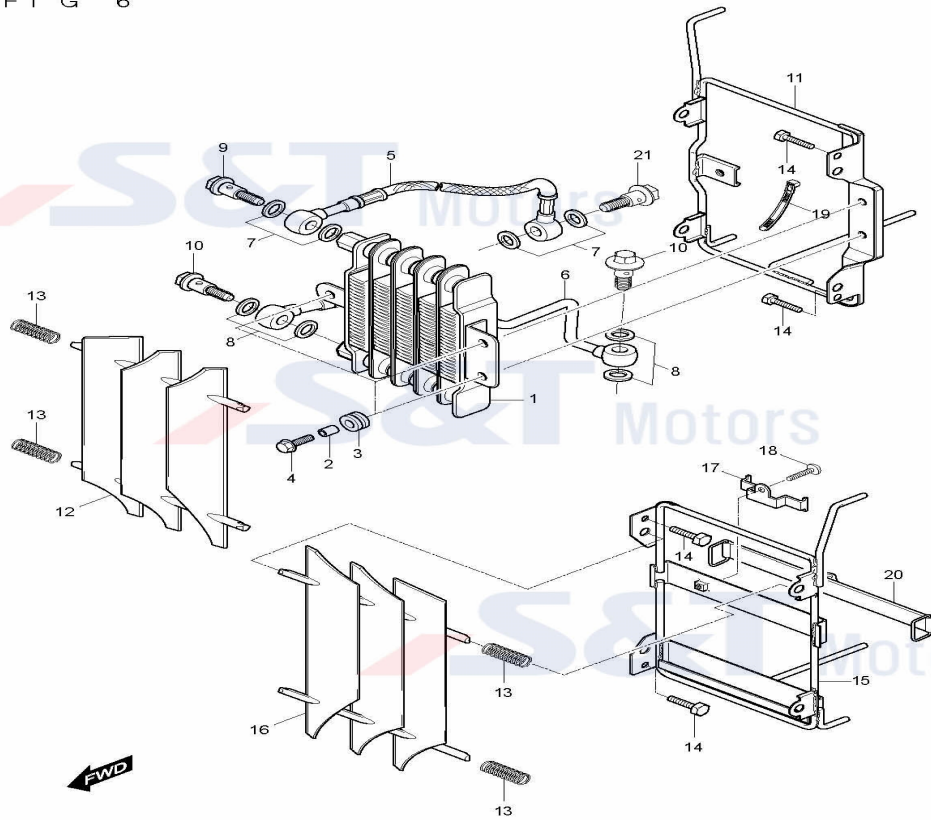


- 1 3

SEQ	PART CODE	PART NAME	U/S	REMARK
1	14310HG5805PAM	BODY COMP MUFFLER (RX)	1	
2	14181-17C00	GASKET,EXHAUST PIPE (RX)	1	
3	01421-08258	STUD BOLT,EXHAUST PIPE (FX)	2	
4	08316-26086	NUT	2	
5	09118H08041	BOLT,MUFFLER 2ND	1	
6	09160-08004	WASHER	1	
7	09180H08102	SPACER	1	
8	09320-12026	CUSHION,MUFFLER SUPPORT FRONT	1	
9	14150HG5803PAM	PIPE COMP,EXHAUST (RX)	1	
10	14770HG5803PAM	CONNECTOR COMP,EXHAUST PIPE	1	=17770HG5802PAM
11	14773HG5800	GASKET,CONNECTOR EXHAUST PI(RX)	1	
12	01517-08468	BOLT E/G M.T.G UPPER (GV650)	1	
13	14781HG5803	COVER,MUFFLER (RX)	1	
14	01187-08168	BOLT,FRONT FOOTREST	1	
15	01187-08168	BOLT,FRONT FOOTREST	1	
16	14186HG580103S	COVER,EXHAUST (RX)	1	
17	02112-96105	SCREW,MUFFLER COVER	2	

18	14790HG5801	CLAMP ASSY,MUFFLER COVER (RX)	2
19	08322-21088	WASHER,WHEEL	1
20	14760HG5801PLA	PROTECTOR ASS'Y,MUFF BODY (RX)	1

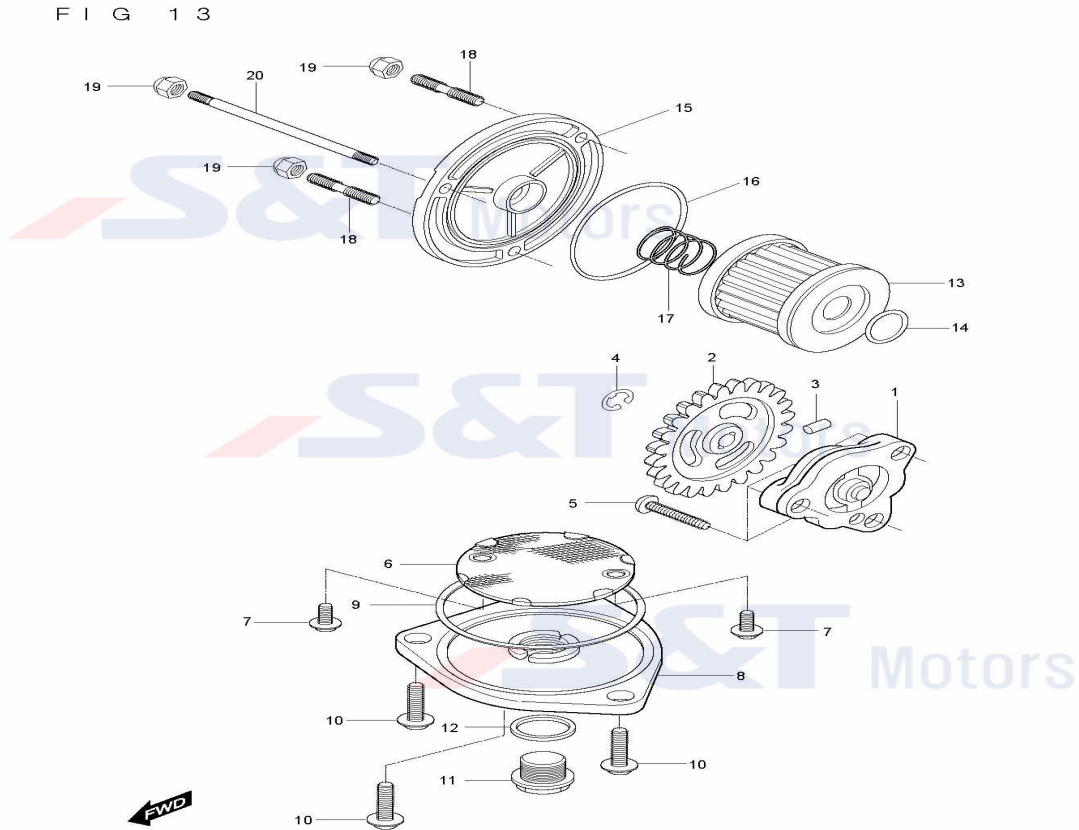
FIG 6



- 6 -

SEQ	PART CODE	PART NAME	U/S	REMARK
1	16600HG5801	COOLER ASS'Y,OIL (RX)	1	
2	09180-06030	SPACER	3	
3	09320-10015	CUSHION OIL COOLER (GA)	3	
4	09116-06143	BOLT OIL COOLER (GSX)	3	
5	16460HG5800	HOSE COMP,OIL COOLER NO1 (RX)	1	
6	16470HG5800	HOSE COMP,OIL COOLER (RX)	1	
7	09161-10009	WASHER,BRAKE FLUID (FX)	4	
8	09168-14011	GASKET (GT250)	4	
9	09360H10036	BOLT (GF)	2	
9~1	09360H10034	BOLT UNION (GF)	2	
10	09360H12007	BOLT UNION (GA)	2	
11	16640HG5801	BKT COMP OIL COOLER (RX)	1	
12	47531HG5801	GRILLE,OIL COOLER (RX)	1	
13	09440H09001	SPRING,OIL COOLER GRILL (RX)	4	
14	01517-06125	BOLT,COVER CYLINDER HEAD	4	
15	47430HG5802	BRACKET COMP,TOOL BOX (RX)	1	
16	47541HG5801	GRIL,TOOL BOX (RX)	1	
17	41327HE6100	PLATE,CDI (FX)	1	

18	02142-06128	SCREW,BATTERY HOLDER	1
19	09407-14403	CLAMP,STRNINER(125MM) (EZ)	1
20	09462-000E6	BAND,BATTERY	1
21	11283HF4600	BOLT,OIL PIPE (GF)	1



- 1 4

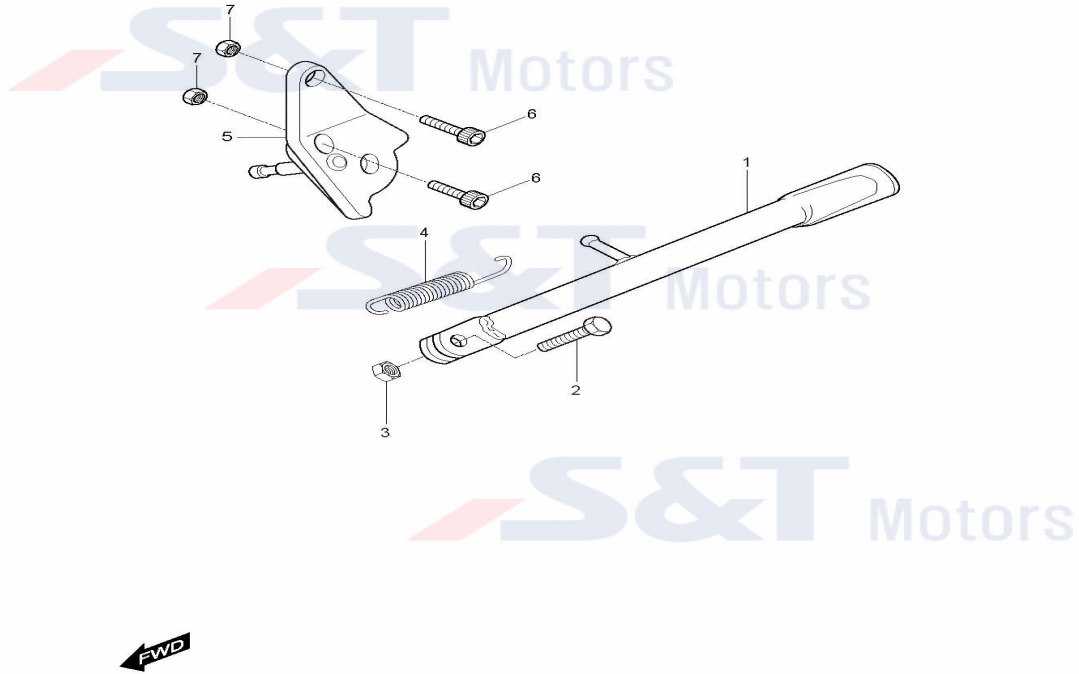
SEQ	PART CODE	PART NAME	U/S	REMARK
1	16400HF4600	OIL PUMP (GF)	1	
2	16331H93B00	GEAR OIL PUMP DRIVEN	1	
3	09261-02008	PIN,OIL PUMP DRIVEN	1	
4	08332-11069	CIRCLIP,OIL PUMP DRIVE GEAR	1	
5	02112-06258	SCREW (GV650)	3	
6	16520-05202	STRAINER,ENG OIL	1	
7	02112-95126	SCREW,ENGINE OIL STATER	2	
8	16523-05200	CAP,OIL STRAINER	1	
9	09280-60005	O/RING,OIL STRAINER CAP	1	
10	01547-06208	BOLT,OIL STRAINER CAP	3	
11	09247-14019	PLUG,OIL DRAIN (GT650)	1	
12	09168H14003	GASKET,OIL CHECK PLUG (SB)	1	
13	16510-05240HAS	FILTER,ENGINE OIL (TN,RG,GS)	1	
14	09280-13004	O/RING,OIL FILTER	1	
15	16512HG580103S	CAP,OIL FILTER (RX)	1	
16	09280-54001	O/RING,OIL FILTER CAP	1	
17	09440-18002	SPRING,OIL FILTER CAP	1	
18	01421-06128	STUD BOLT,OIL FIL	2	

19	08313-11068	NUT	3
20	01421-06958	STUD BOLT,CYLINDER	1
21	16419HG5100	BUSH,OIL PUMP (GV)	1
22	09206-08001	PIN,MAGNET COVER (GT&GV)	2

┌

└

F I G 2 8



- 3 1 -

┌

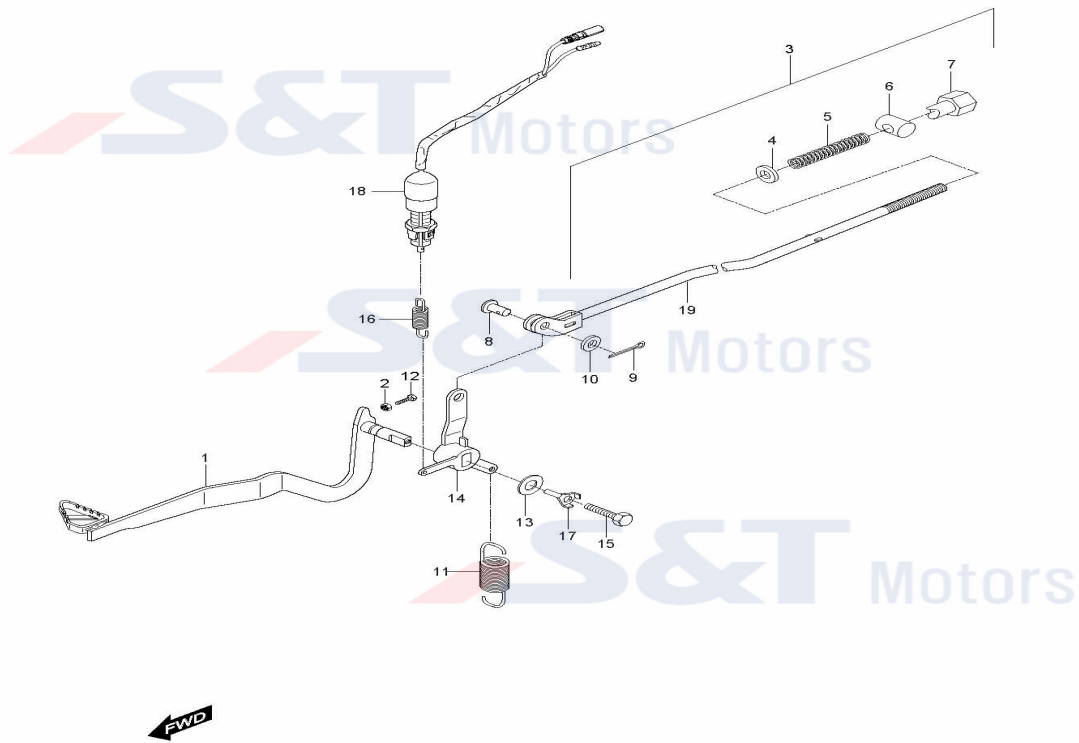
└

SEQ	PART CODE	PART NAME	U/S	REMARK
1	42310HG5850	STAND COMP,PROP (RX)	1	
2	09100-10031	BOLT,PROP STAND (GT250RN)	1	
3	08313-11107	NUT,SORBER LOW(BLIND NNUT)	1	
4	09443H14037	SPRING,PROP STAND (SCOOTER)	1	
5	42340HG580103P	BRACKET,PROP STAND (RX125)	1	
6	07110-08258	BOLT,FRAME JOINT	2	
7	08319-31088	NUT,PILLION FOOTREST	2	
8	09443-06001	SPRING,PROP STAND INN(SB-FN02)	1	

┌

└

F I G 2 9



- 3 2

┌

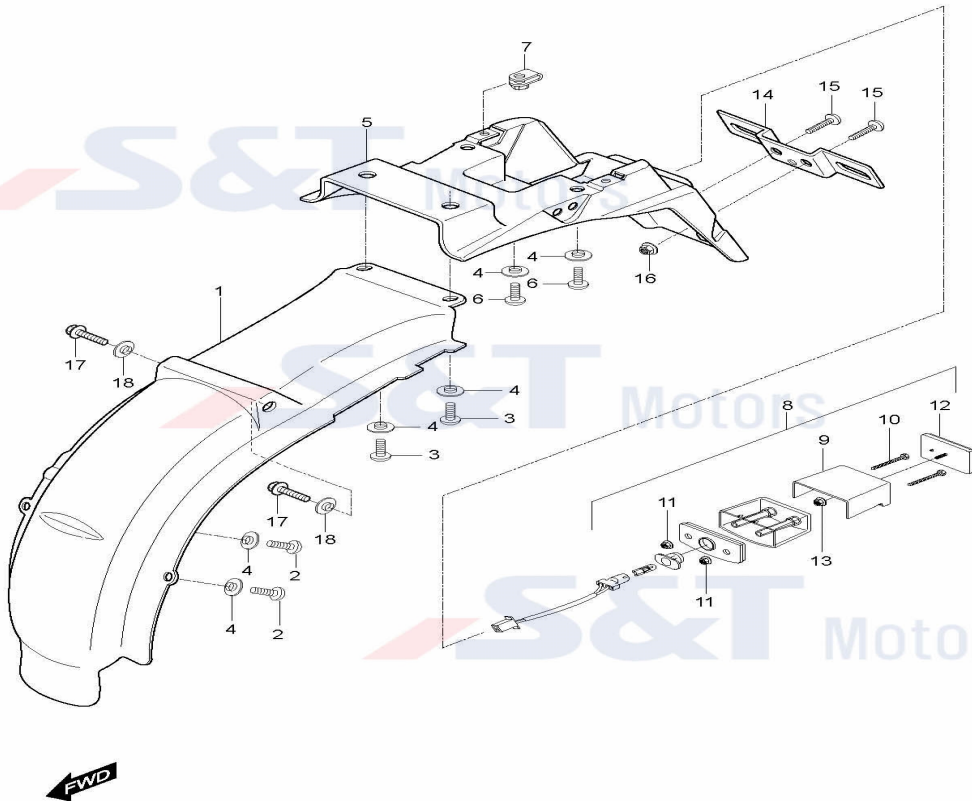
└

SEQ	PART CODE	PART NAME	U/S	REMARK
1	43100HG5802	PEDAL ASS'Y,BRAKE (RX)	1	
2	08310-11068	NUT	1	
3	43300HG5801	ROD ASS'Y,REAR BRAKE (RX)	1	
4	08322-21068	WASHER HEAD LAMP AIMING	1	
5	09440-09013	SPRING,BRAKE ROD	1	cor. 09440-090B3
5-1	09440-090B3	SPRING,BRAKE ROD	1	
6	09209-11006	PIN,BRAKE ROD	1	
7	09150-06009	NUT,REAR BRAKE ROD	1	
8	09200-06013	PIN,REAR BRAKE ROD	1	
9	04111-20208	COTTER PIN	1	
10	08322-21068	WASHER HEAD LAMP AIMING	1	
11	09443H14025	SPRING BRAKE PEDAL RETURN (GD)	1	
12	01104-06208	BOLT,TENSIONAL ADJUSTER	1	
13	09160-06012	WASHER BRAKE PEDAL (GSX)	1	
14	43123HG5802	ARM,BRAKE ROD (RX)	1	
15	01107-06168	BOLT,RELEASE ARM (GT250RN)	1	
16	09443H06006	SPRING STOP LAMP SWITCH (GA)	1	
17	43129-35C00	WASHER LOCK (GSX-R)	1	



18	37740-04502	SWITCH ASS'Y,STOP	1
19	43310HG5801	NULL	1

FIG 43

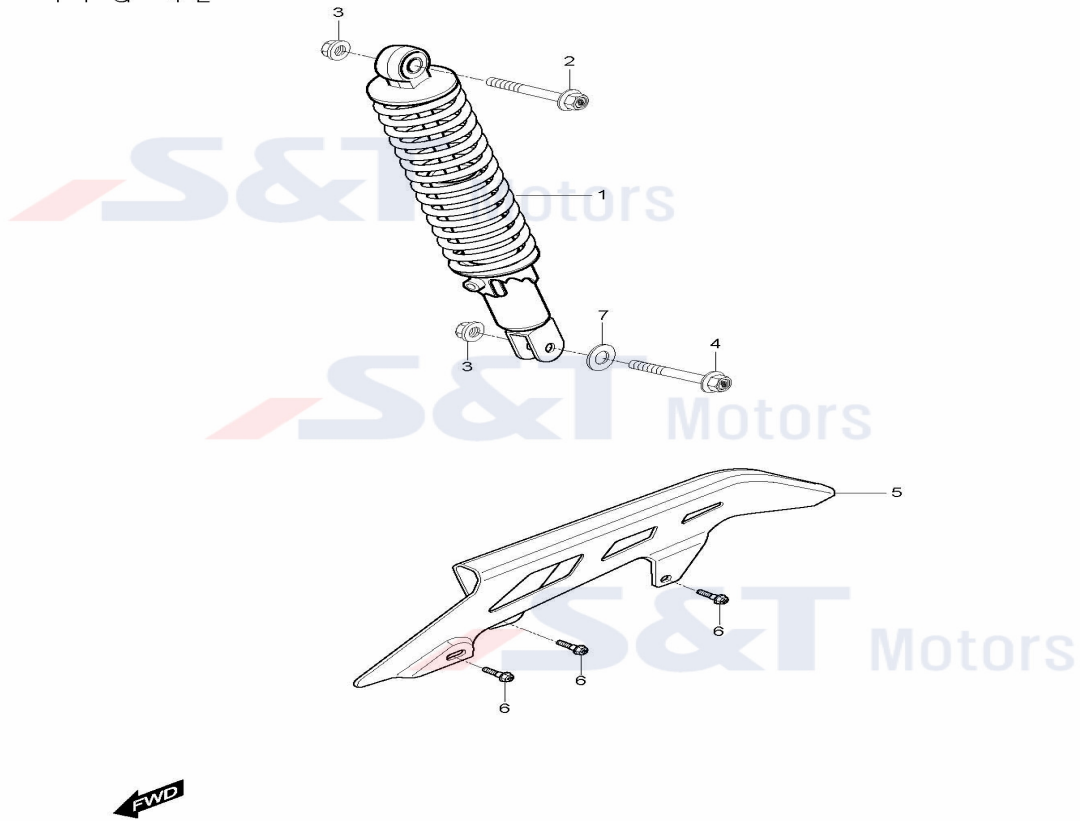


- 4 7

SEQ	PART CODE	PART NAME	U/S	REMARK
1	63112HG5803	REAR FENDER FRONT (RX)	1	
2	02142-06125	SCREW,COVER LEG SHIELD	2	
3	02142-06165	SCREW,LEG SHIELD LOWER(GT250RN)	2	
4	09169-06034	WASHER,LEG SHIELD	6	
5	63113HG5851	REAR FENDER REAR (RX)	1	
6	02142-06125	SCREW,COVER LEG SHIELD	2	
7	09148-06020	NUT	2	
8	35910HG5800	LAMP ASS'Y,LICENSE (RX)	1	
9	35915HG5800	COVER,LICENSE LAMP (RX)	1	
10	01107-05605	BOLT,LICENSE LAMP (GV650)	2	
11	08316-26055	NUT,FRONT TURN SIGNAL LAMP	2	
12	35970-17303	REFLEX,REFLECTOR ASS'Y,REAR(FX)	1	
13	08316-26055	NUT,FRONT TURN SIGNAL LAMP	1	
14	35927H44430	BRACKET,LICENSE PLATE (GPS)	1	
15	02142-06165	SCREW,LEG SHIELD LOWER(GT250RN)	2	
16	08316-16068	NUT (GV650)	2	
17	01517-08168	BOLT REAR AXLE BRI HOUSING	2	



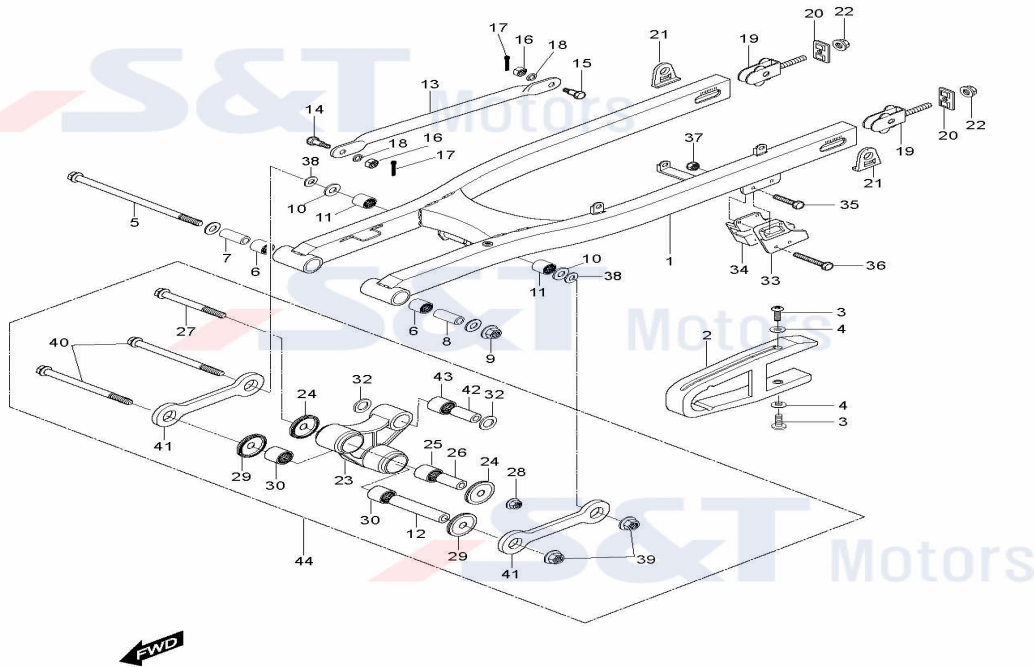
FIG 4 2



- 4 6

SEQ	PART CODE	PART NAME	U/S	REMARK
1	62100HG5805	SHOCK ABSORBER ASSY REAR(RX125)	1	
1-1	62100HG5806	REAR SHOCK ABSORBER (RX125)	1	(03.2013~)
2	09103H10230	BOLT,REAR S/ABSORBER UPPER(RX)	1	
3	08319-31108	NUT,FRONT SORBER	1	
4	09103H10101	BOLT,HANDLE BAR SET (EZ)	1	
5	61311HG5802	CHAIN CASE (RX125)	1	
6	09111H06066	BOLT CHAIN CASE (GD)	3	
7	09160-10001	WASHER,SORBER	1	

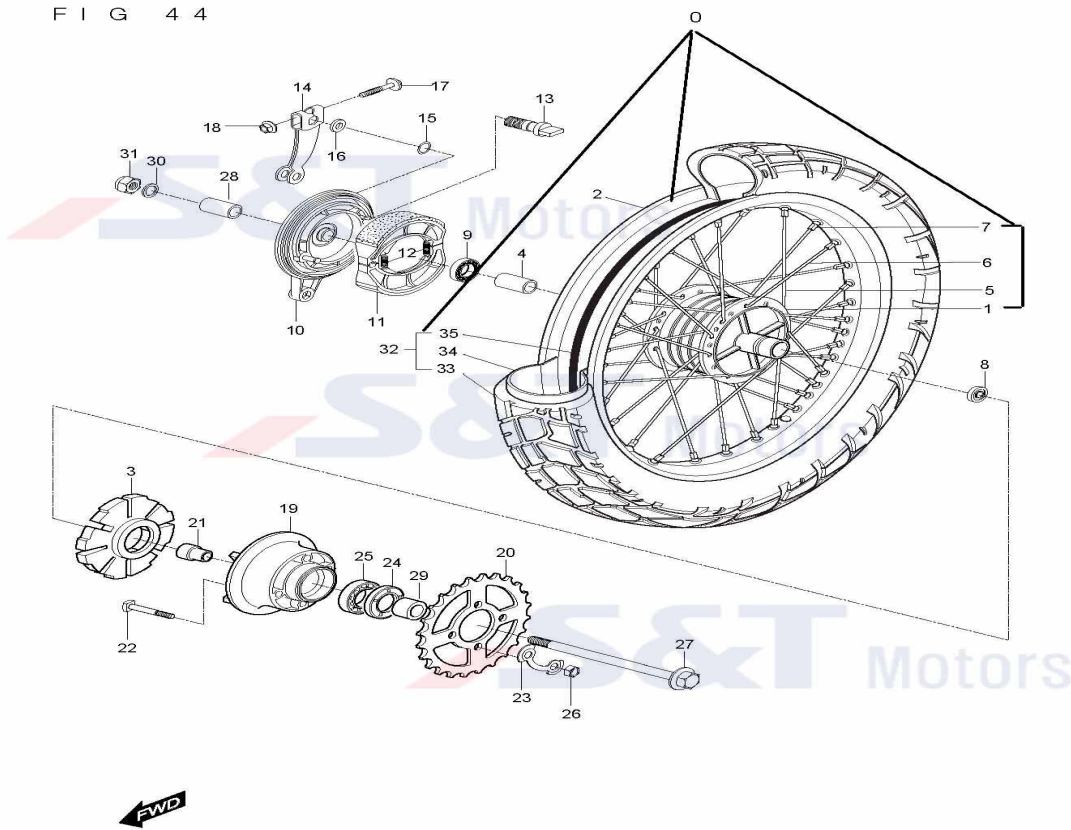
FIG 4 1



- 4 4

SEQ	PART CODE	PART NAME	U/S	REMARK
1	61100HG5805HPA	SWING ARM COMP (RX)	1	
2	61273HG5802	BUFFER,CHAIN TOUCH DEFENSE(RX)	1	
3	02142-06165	SCREW,LEG SHIELD LOWER(GT250RN)	2	
4	09169H06011	WASHER	2	
5	61211HG5801	SHAFT,REAR SWIN'G PIVOT (RX)	1	
6	09263-20073	BEARING RR SWINGARM PIV (GD)	2	
7	09180H14002	SPACER,REAR SWINGARM PIVOT(RX)	1	
8	09180H14003	SPACER,REAR SWING ARM PIVOT(RX)	1	
9	09159H14008	NUT,REAR AXLE	1	
10	09283-20031	SEAL,REAR CUSHION ROD (RX)	2	
11	09263H20003	BEARING,REAR CUSHION ROD (RX)	2	
12	09180H14001	SPACER,REAR CUSH ROD (RX)	1	
13	64310HG5800	TORQUE LINK COMP,REAR (RX)	1	
14	09111-08012	BOLT	1	
15	09111-08013	BOLT	1	
16	09140-08008	NUT	2	

17	04111-20208	COTTER PIN	2
18	08321-31088	LOCK WASHER	2
19	61410HG5800	ADJUSTER COMP,CHAIN (RX)	2 cor. 61410HG5801
19-1	61410HG5801	ADJUST,CHAIN (RX125)	2
20	61421HG5800	PLATE CHAIN ADJUSTER GUIDE(RX)	2
21	64712HG5800	WASHER,CHAIN ADJUSTER (RX)	2
22	08319-31088	NUT,PILLION FOOTREST	2
23	62611HG5800	LEVER,REAR CUSHION (RX)	1
24	09284H33003	DUST SEAL,REAR CUSHION LEVE(RX)	2
25	09263-20073	BEARING RR SWINGARM PIV (GD)	1
26	09180H12001	SPACER,REAR CUSH LEVER FT (RX)	2
27	09103H12046	BOLT,REAR CUSHION LEVER FT(RX)	1
28	08319-31128	NUT,SWING ARM PIVOT	1
29	09284H32001	SEAL,REAR CUSHION LEVER CEN(RX)	2
30	09263H20003	BEARING,REAR CUSHION ROD (RX)	2
31	09284H17001	DUST SEAL,REAR CUSHION LEVE(RX)	2
32	09284H32001	SEAL,REAR CUSHION LEVER CEN(RX)	2
33	61396HG5801	GUIDE,DRIVE CHAIN NO.1 (RX)	1
34	61397HG5801	GUIDE,DRIVE CHAIN NO2 (RX)	1
35	01517-06308	BOLT,STEERING LOCK NO1	2
36	01547-06458	BOLT,CLUTCH COVER	2
37	09316-26066	NULL	2
38	09284H32001	SEAL,REAR CUSHION LEVER CEN(RX)	2
39	09159H14008	NUT,REAR AXLE	2
40	09103H14001	BOLT,REAR CUSHION ROD (RX)	2
41	62641HG5800	ROD,REAR CUSHION LEVER (RX)	2
42	09180H10073	SPACER,REAR CUSHION LEVER (RX)	1
43	09263H17002	BEARING,REAR CUSHION LEVER(RX)	1
44	62611HG5800HPA	LEVER REAR,CUSHION ASSY (RX)	1
45	68320HG5850	LABEL,CHAIN CASE□□(RX125D)	1



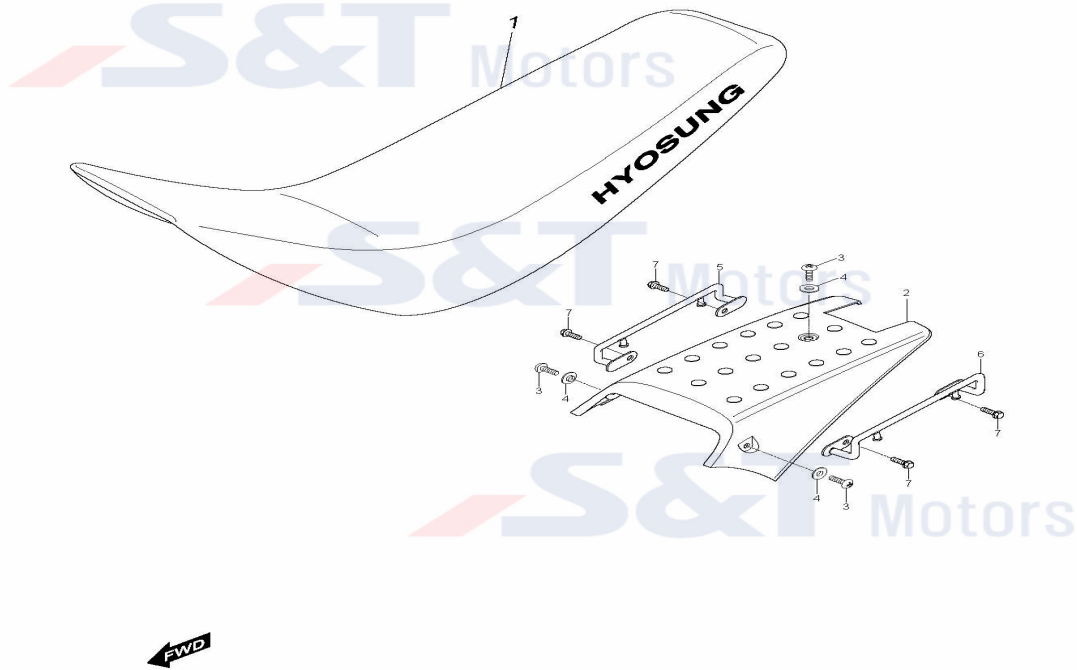
- 4 8

SEQ	PART CODE	PART NAME	U/S	REMARK
0	65310HG5850HPA	REAR WHEEL+TIRE ASS'Y (RX)	1	
0-1	65310SG5850HPA	RIM,WHEEL ASS'Y(1.85*18 FE)(RX)	1	
1	64110-07605	HUB COMP,REAR WHEEL (RX)	1	
2	65311HG5850	RIM,REAR WHEEL(1.85*18 FE)(RX)	1	
3	64651-07001	HUB,SHOCK ABSORBER R/H	1	
4	09180-15011	SPACER COMP,FRONT HUB (RX)	1	
5	65321H08B00	SPOKE,REAR WHEEL INNER (MX)	18	
6	65322H08B00	SPOKE,REAR WHEEL OUTER (MX)	18	
7	65325-03020	NIPPLE (FX ECO)	36	
8	08123-62027	BEARING,FT HUB R 6202DC3	1	
9	08124-63027	BEARING FRONT HUB R/L (GV)	1	
10	64210HG5800BRA	PANEL,REAR BRAKE(SHOE□□(RX	1	
11	64400H93B03	SHOE COMP,BRAKE (GV125CN)	1	=64400S93B03HAS
12	09443H10003	SPRING,REAR BRAKE SHOE (RX125)	2	
13	54441-29306	CAM,REAR BRAKE (GS)	1	
14	64451-38210	LEVER REAR BRAKE CAM (GD)	1	
15	09280-14003	O/RING,STEERING SHAFT	1	
16	09160H14001	WASH RR BRAKE CAM DST SEAL(GA)	1	

17	01517-06358	BOLT,RR BRAKE CAM	1
18	08316-16068	NUT (GV650)	1
19	64611H05300	DRUM REAR SPROCK MO(GA,GS,TN)	1
20	64511HM5401	SPROCKET,REAR	1
21	64733-39100	RETAINER	1
22	09105H08001	BOLT,REAR SPROCKET	4
23	09169-08012	WASHER	2
24	09285-28001	OIL SEAL REAR DRUM	1
25	08113-62047	BEARING,REAR DRUM 6204	1
26	08310-11088	NUT	4
27	64711HG5800	AXLE,REAR(14*290) (RX)	1
28	64741-08B10	SPACER,REAR AXLE RH	1
29	64751H93B00	SPACER REAR AXLE LH (GA)	1
30	08322-11148	WASHER (GV)	1
31	09159H14008	NUT,REAR AXLE	1
33	65100HG5800	TIRE COMP,REAR (RX)	1
34	65200-11601	TUBE,WHEEL INNER (MX)	1
35	65261-14010	PROTECTOR,FRONT WHEEL INNER(GA)	1
36	64200HG5802	PANEL ASSY,REAR BRAKE (RX125)	1



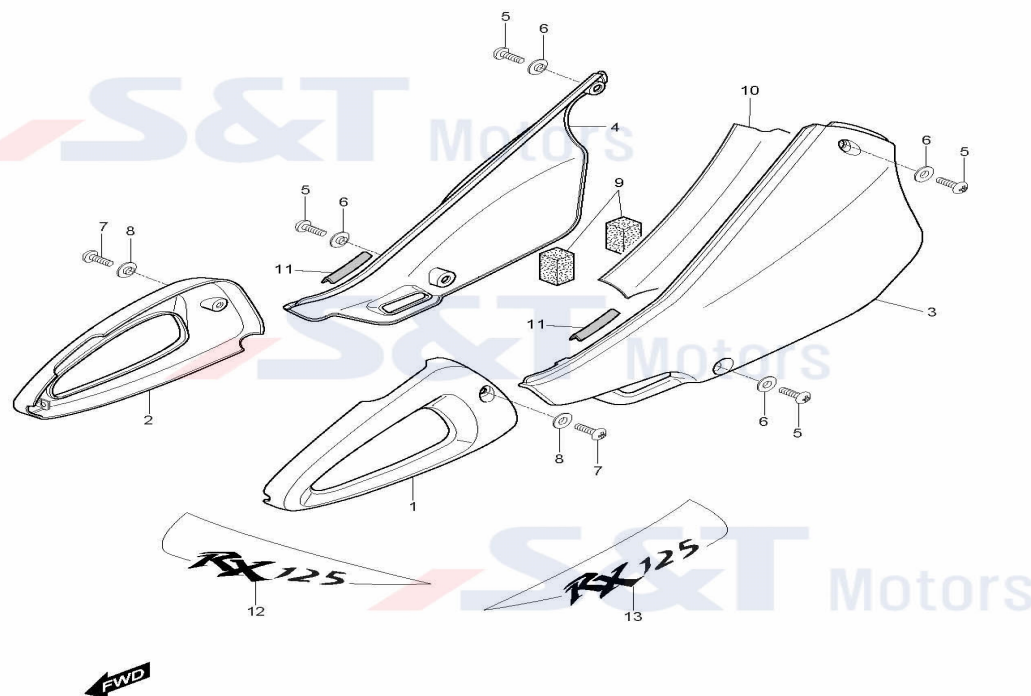
FIG 33



- 3 6

SEQ	PART CODE	PART NAME	U/S	REMARK
1	45100HG5805HAS	SEAT SET (RX125)	1	
2	45511HG58513R1	COVER,SEAT TAIL (RX)	1	
2-1	45511HG585116B	COVER,SEAT TAIL (RX)	1	
2-2	45511HG58516B1	COVER,SEAT TAIL (RX125)	1	
3	02142-06125	SCREW,COVER LEG SHIELD	3	
4	09169-06034	WASHER,LEG SHIELD	3	
5	46210HG580103P	CARRIER COMP REAR R (RX)	1	
6	46220HG580103P	CARRIER COMP REAR L (RX)	1	
7	01517-08168	BOLT REAR AXLE BRI HOUSING	4	

FIG 3 4

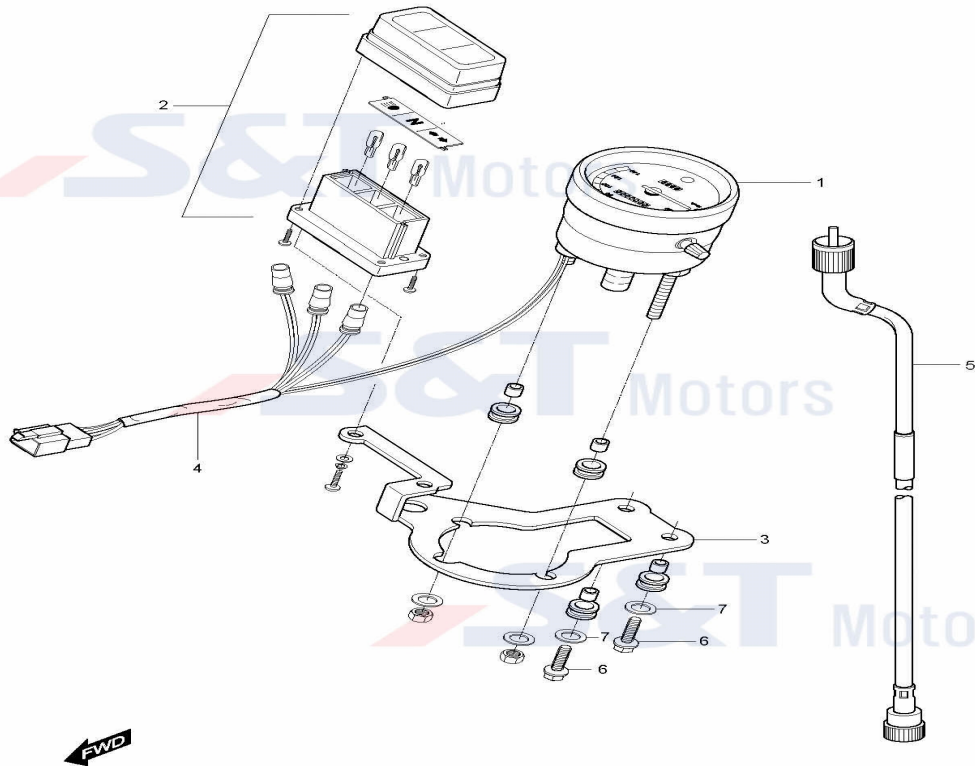


- 3 7

SEQ	PART CODE	PART NAME	U/S	REMARK
1	47321HG580103P	COVER,FRAME FRONT L (RX)	1	
2	47311HG580103P	COVER,FRAME FRONT R (RX)	1	
3	47211HG58500CR	COVER,SIDE L (RX)	1	
3-1	47211HG58500SY	COVER,SIDE L (RX)	1	COLORED SCIENCE YELLOW
3-2	47211HG58500DB	NULL	1	DEEP BLUE
4	47111HG58500CR	COVER SIDE R (RX)	1	
4-1	47111HG58500SY	COVER,SIDE R (RX)	1	COLORED SCIENCE YELLOW
4-2	47111HG58500DB	NULL	1	DEEP BLUE
5	02142-06125	SCREW,COVER LEG SHIELD	4	
6	09169-06034	WASHER,LEG SHIELD	4	
7	02142-06125	SCREW,COVER LEG SHIELD	2	
8	09169-06034	WASHER,LEG SHIELD	2	
9	47161HE6101	CUSHION,SIDE COVER L (FX)	2	
10	47239HG5800	HEAT,SHIELD SIDE COVER L (RX)	1	
11	47161HG5801	MOLD'G,SIDE COVER (RX)	2	
12	68134HG58000MA	TAPE,SIDE COVER R (RX)	1	
12-1	68134HG58000MB	TAPE,SIDE COVER R (RX)	1	
12-2	68134HG58000MC	TAPE,SIDE COVER R (RX125)	1	

13	68136HG58000MA	TAPE,SIDE COVER L	(RX)	1
13-1	68136HG58000MB	TAPE,SIDE COVER L	(RX)	1
13-2	68136HG58000MC	TAPE,SIDE COVER L	(RX125)	1

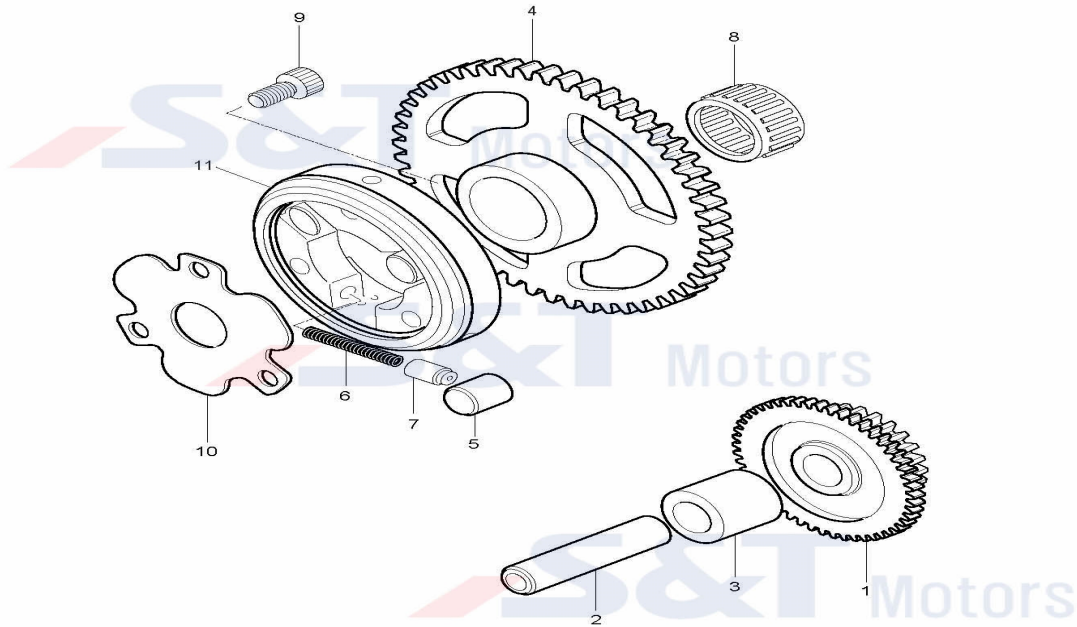
FIG 22



- 2 5

SEQ	PART CODE	PART NAME	U/S	REMARK
1	34100HG5800	SPEEDOMETER ASSY (RX)	1	
2	39000HG5800	INDICATOR LAMP,SPEEDOMETER(RX)	1	
3	34950HG5800	BRACKET,SPEEDOMETER (RX)	1	
4	34171HG5800	SOCKET ASS'Y,SPEEDOMETER (RX)	1	
5	34910HG5803	CABLE ASS'Y,SPEEDOMETER (RX)	1	
6	01107-06208	BOLT,GEAR SHIFT	2	
7	09169H06012	WASHER (RX)	2	

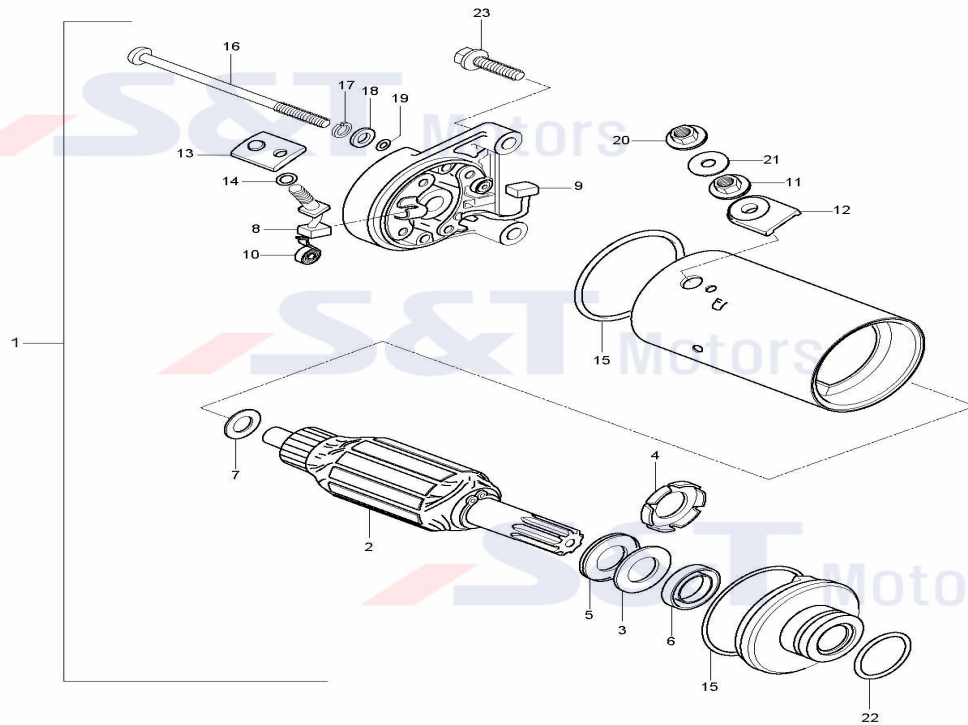
FIG 7



- 7 -

SEQ	PART CODE	PART NAME	U/S	REMARK
1	12611-05300	GEAR,STARTER IDLE (TN,RG,GS)	1	
2	09206-13003	PIN,STARTER IDLE GEAR	1	
3	09180-13006	SPACER,STARTER IDLE GEAR	1	
4	12620-05303	GEAR STARTER CLUTCH(TN,RG,GS)	1	
5	09261-10003	ROLLER,STARTER CLUTCH	3	
6	09440-03004	SPRING,STARTER CLUTCH	3	
7	12633-05300	PIECE,STARTER CLUTCH ROLL	3	
8	09263-22031	BEARING,STARTER CLUTCH GEAR	1	
9	09106-06030	BOLT,STARTER CLUTCH	3	
10	12649-05300	SHIM,STARTER CLUTCH HUB	1	
11	12630-29B00	HUB STARTER CLUTCH(TN,GS, TNX)	1	

FIG 18



- 2 1 -

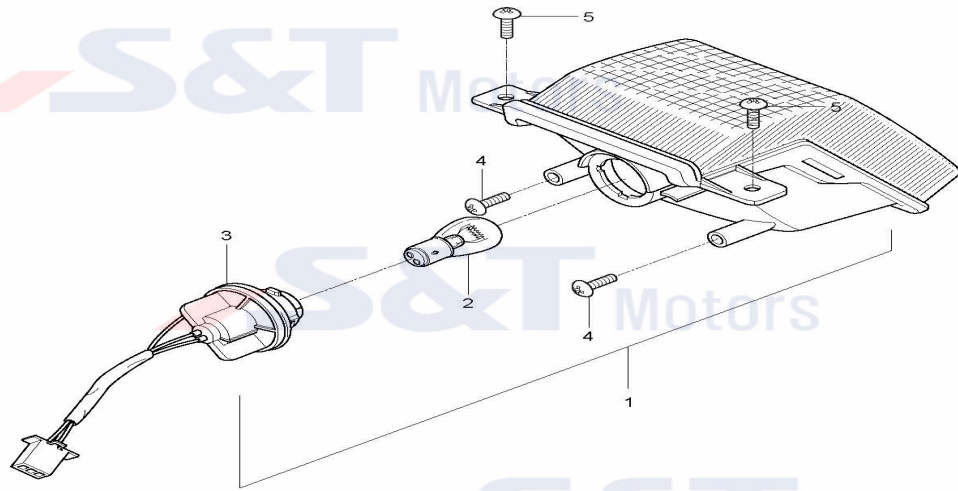
SEQ	PART CODE	PART NAME	U/S	REMARK
1	31100HD6300	MOTOR ASS'Y,STARTING (GA-F)	1	
2	31311-10201	ARMATURE	1	
3	31361-10200	SHIM ARMATURE	1	
4	31361-01400	SHIM(A)	1	
5	31361-38300	SHIM(A)	1	
6	31153-43400	OIL SEAL	1	
7	31361-47010	SHIM ARMATURE	1	
8	31130-05300	BRUSH STARTER (GS,TN)	1	
9	31131-10200	BRUSH STARTING MOTOR(-)	1	
10	31135-65010	SPRING	2	
11	08310-22067	NUT,R ST/MOTOR	1	
12	31172-05300	BUSHING(A0	1	
13	31171-05300	BUSHING(B)	1	
14	31143-38300	O RING STARTING MOTOR	1	
15	31264-05300	O RING STARTING MOTOR	1	
16	31281-05310	BOLT,START MOTOR	2	
17	08321-21057	ROCK WASHER	2	
18	31161-05310	WSAHER,START MOTOR	2	

19	31156-38300	O RING STARTING MOTOR	2
20	08316-26066	NUT,REAR COMBI LAMP	1
21	09160-06003	WASHER,START MOTOR	1
22	09280-24001	O-RING,STARTER MOTOR	1
23	01547-06308	BOLT,MAGNET&CLUTCH COVER (EZ)	2
24	31110HD6300	YOKE ASS'Y,STARTER (GT125)	1

┌

└

FIG 25



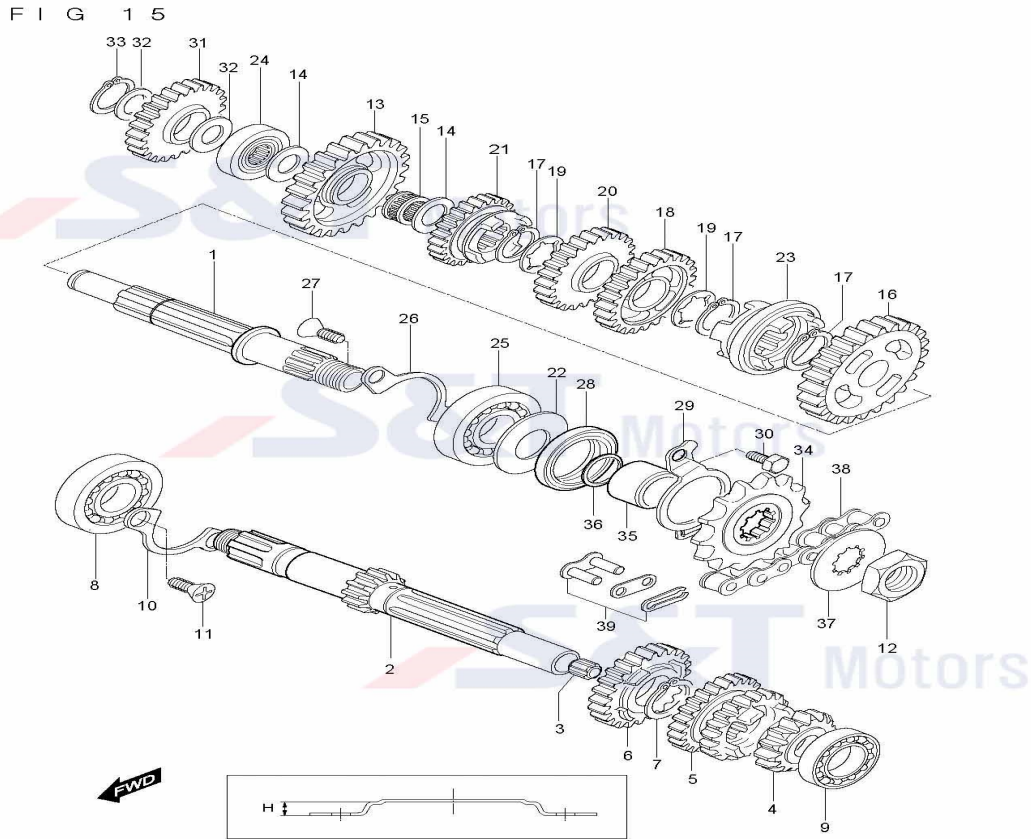
- 2 8

┌

└

SEQ	PART CODE	PART NAME	U/S	REMARK
1	35710HG5800	LAMP ASS'Y,REAR COMBI (RX)	1	
2	09471-12047	BULB,TAIL&STOP(12V 21/5W)(FX-3)	1	
3	35760HG5800	SOCKET ASSY,TAIL&STOP (RX)	1	
4	03241-05256	SCREW,LOWER COVER	2	
5	02142-06165	SCREW,LEG SHIELD LOWER(GT250RN)	2	

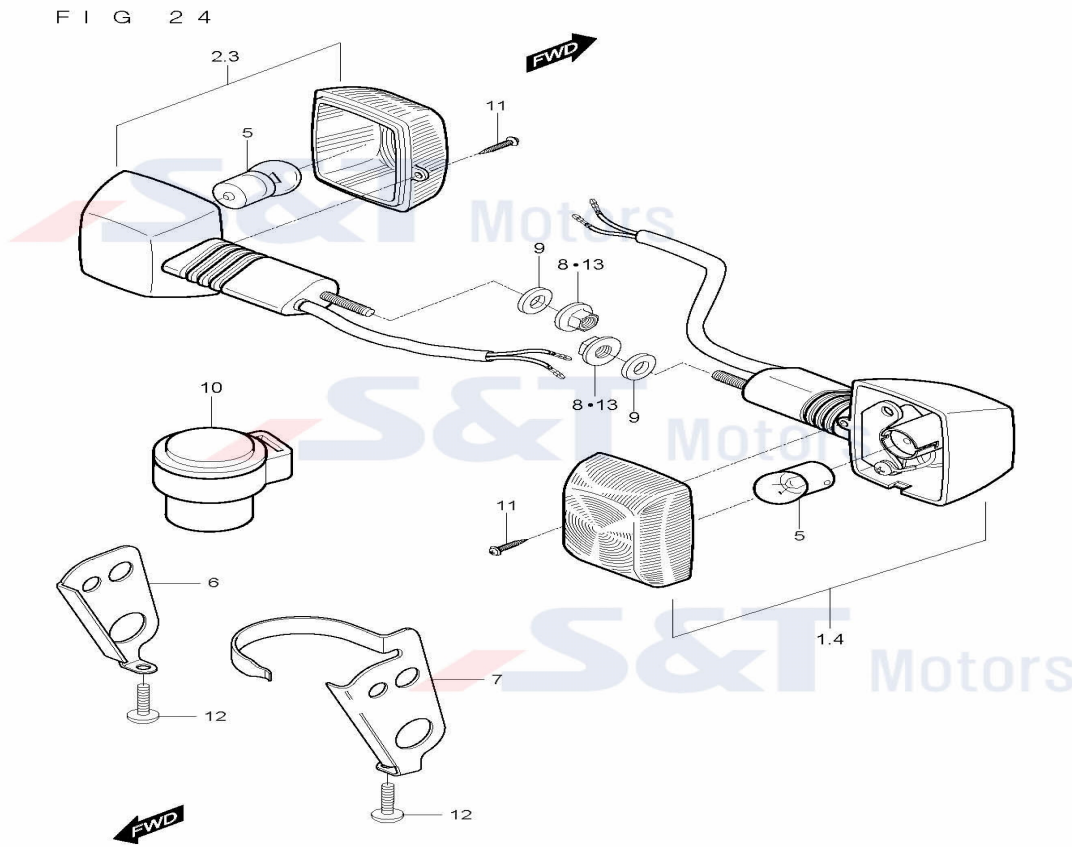




- 1 6

SEQ	PART CODE	PART NAME	U/S	REMARK
1	24130HG5801	SHAFT COMP,DRIVE (RX125)	1	
2	24121-05211	SHAFT,COUNTER (TN,RG,GS)	1	
3	24125-38201	BUSH,COUNTER SHAFT	1	
4	24221-29B00	GEAR,2ND DRIVE (TN,RG,GS)	1	
5	24231-29B10	GEAR,3/4 DRIVE (TN,RG,GS)	1	
6	24251-05202	GEAR,5TH DRIVE (TN,RG,GS)	1	
7	09380-20009	CIRCLIP,5TH DRIVE GEAR	1	
8	09262-20062	BEARING,CO.SH.R 6204ACM	1	
9	08123-60020	BEARING,COUNTER LH 6002DC3	1	
10	24741-05200	RETAINER,COUNTER SHAFT BG(TN,	1	
11	02122-06128	SCREW,OL GR SH	2	
12	09140-16017	NUT,ENGINE SPROCKET	1	
13	24311-29B00	GEAR,1ST DRIVEN (TN,RG,GS)	1	
14	08211-15251	THRUST WASHER,1ST DRIVE GEAR	2	
15	09263H15002	BEARING,1ST DRIVEN GEAR	1	
16	24320-29B00	GEAR COMP,2ND DRVN (TN,RG,GS)	1	
17	09380-20009	CIRCLIP,5TH DRIVE GEAR	3	
18	24331-05201	GEAR,3RD DRIVEN (TN,RG,GS)	1	

19	09167-20011	THRUST WASHER,3RD DRIVE GEAR	2
20	24341-29B10	GEAR,4TH DRIVEN (TN,RG,GS)	1
21	24351-05201	GEAR,5TH DRIVEN (TN,RG,GS)	1
22	24359-05200	WASHER,OIL C-RING	1
23	24421-05300	WHEEL,SLIDING DOG (TN,RG,GS)	1
24	09263H15003	BEARING,DRIVE SHAFT R	1
25	08113-62040	BEARING,COUNTER DRIVE 6204C3	1
26	24741-05200	RETAINER,COUNTER SHAFT BG(TN,	1
27	02122-06128	SCREW,OL GR SH	2
28	09283-27010	OIL SEAL,REAR AXLE	1
29	24751-05201	RETAINER,DRV SHAFT (TN,RG,GS)	1
30	01107-06106	BOLT,DR SH RETAINER	2
31	26260-05201	GEAR,KICK START IDL(TN,RG,GS)	1
32	08211-15201	THRUST WASHER,KICK START IDL	2
33	08331-31159	CIRCLIP,KICK IDLE	1
34	27510H41732	SPROCKET COMP,ENGINE 14T (GF)	1
35	27531-08300	SPACER,ENGINE SPROCKET (RX)	1
36	09280-19005	O/RING,ENGINE SPROCKET	1
37	09167H20002	WASHER,ENGINE SPROCKET(GD250R)	1 Repl of 09167-20006 / (0.8T -> 1.0T)
38	27600HG5801	CHAIN ASSY,DRIVE(132L) (RX)	1
39	27620H93B00	JOINT,CHAIN	1 N/A



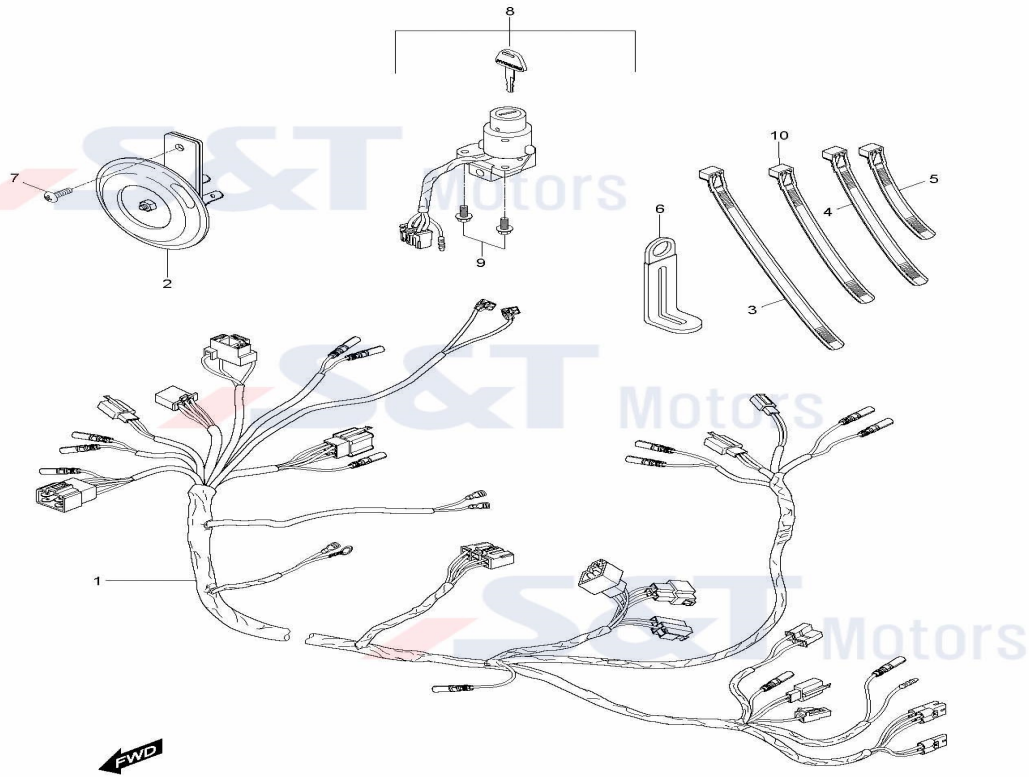
- 2 7

SEQ	PART CODE	PART NAME	U/S	REMARK
1	35601-35C00	LAMP ASS'Y FRONT TURN R (GSX)	1	
2	35602-35C00	LAMP ASS'Y FRONT TURN L (GSX)	1	
3	35603-35C00	LAMP ASS'Y R/R TURNSIG R(GSX)	1	
4	35604-35C00	LAMP ASS'Y R/R TURNSIG L(GSX)	1	
5	09471-12066	BULB(12V 10W) (GD)	4	
6	35615HG5800	PLATE,FRONT TURNSIGNAL (RX)	1	
7	35616HG5800	PLATE,FRONT TURNSIGNAL (RX)	1	
8	08310-11068	NUT	2	
9	08322-21068	WASHER HEAD LAMP AIMING	2	
10	38610H09411	RELAY ASS'Y,TURN SIGNAL(TN,RG)	1	
11	35625-01A00	TAPING SCREW (GD)	4	
12	02142-05125	SCREW,HANDEL COVER FRONT&REAR	2	
13	08316-16068	NUT (GV650)	2	

┌

└

FIG 26



- 2 9

┌

└

SEQ	PART CODE	PART NAME	U/S	REMARK
1	36610HG5803	HARNESS,WIRING (RX125)	1	
1-1	36610HG5801	HARNESS,WIRING (RX)	1	
2	38500HG5800	HORN ASS'Y (RX)	1	
3	09407-254A1	BAND,CABLE	1	
4	09407-22402	CLAMP,WIRING HARNESS (EZ)	1	
5	09407-14403	CLAMP,STRNINER(125MM) (EZ)	4	
6	09407-11401	CLAMP,WIRING HARNESS(95MM)	5	
7	02112-36128	SCREW,COOLING FAN (GV250N)	2	
8	37100H93B30	LOCK ASS'Y,STEERING (RX125)	1	
9	01517-06168	BOLT,STEERING LOCK (SD)	2	
10	09407-11401	CLAMP,WIRING HARNESS(95MM)	3	