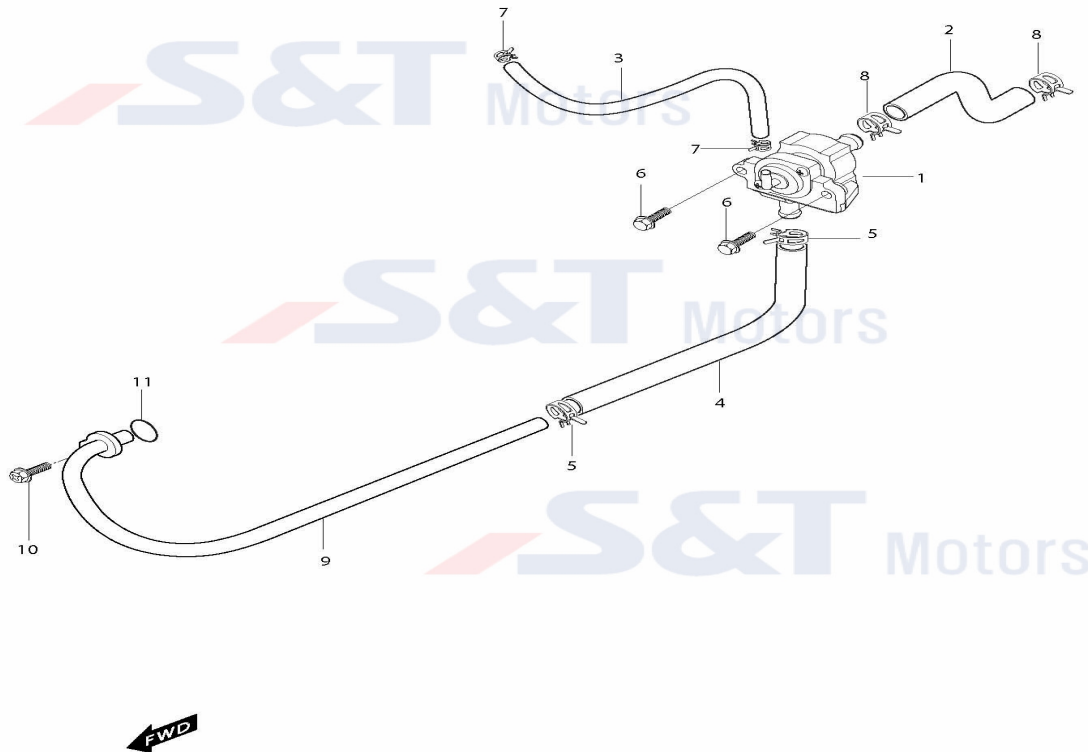
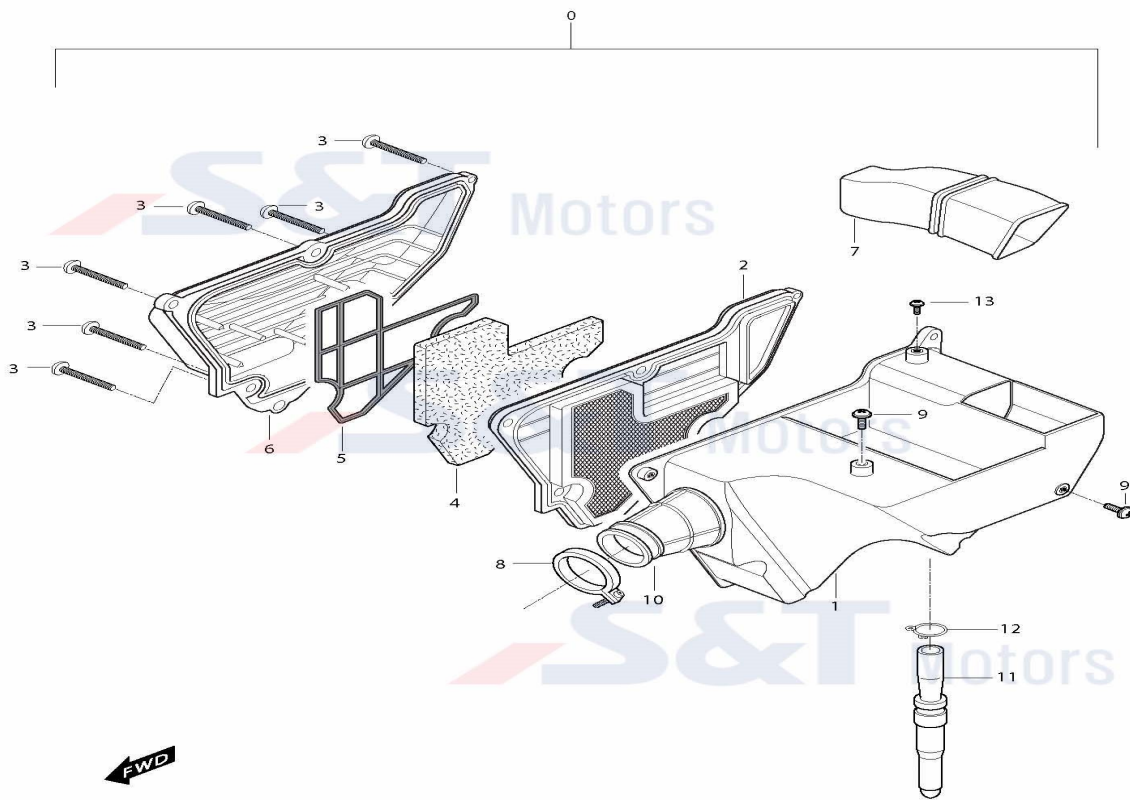


FIG 13



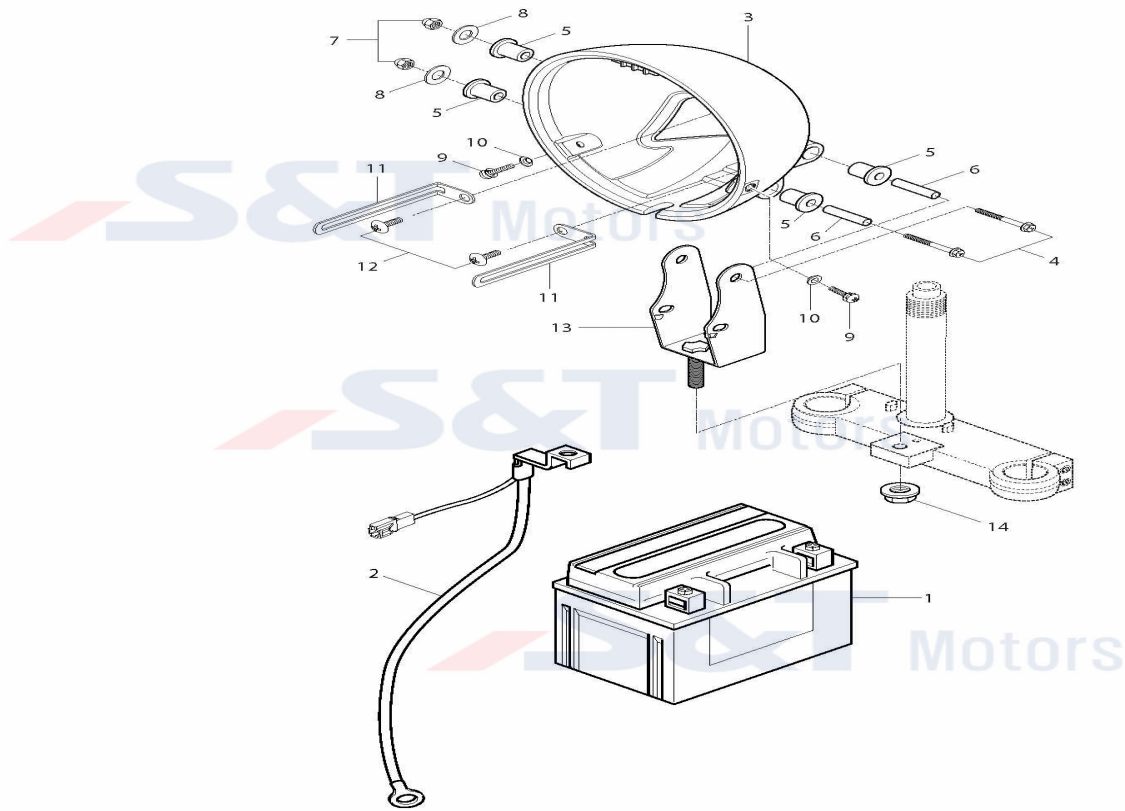
SEQ	PART CODE	PART NAME	U/S	REMARK
1	18500H85201	VALVE ASS'Y,2ND AIR (GV125CN)	1	
1-1	18500H85201	VALVE ASS'Y,2ND AIR (GV125CN)	1	
2	18651HM8130	HOSE,2ND AIR CLEANER (GT125)	1	
3	18681HN9100	HOSE,2ND VACUUM LEFT (GT650)	1	
4	18631HM5450	HOSE,2ND AIR PIPE (RT125)	1	
5	09401H13401	CLAMP,THERMOSTAT BYPASS HOS	2	
6	01104-06208	BOLT,TENSIONAL ADJUSTER	2	
7	09401H08401	CLAMP,2ND VACUUM HOSE (GT650)	2	
8	09401H14401	CLAMP,BREATHER OIL RETURN(GT65)	2	
9	18610HR7800	PIPE COMP,2ND AIR (RT125D)	1	
10	09128-06005	BOLT,FUEL COCK	1	
11	09280H12005	O-RING (KR110)	1	

FIG.11



SEQ	PART CODE	PART NAME	U/S	REMARK
0	13700HR7800	CLEANER ASS'Y,AIR (RT125D)	1	
1	13720HM5410	NULL	1	
2	13782HM5400	FRAME,FILTER (RT125)	1	
3	02142-05265	NULL	6	
4	13780HM5401	FILTER COMP,AIR CLEANER(RT125)	1	
5	13751HM5401	HOLDER,FILTER (RT125)	1	
6	13740HM5401	CAP COMP,AIR CLEANER (RT125)	1	
7	13891HM5400	TUBE,INLET (RT125)	1	
8	09402-44207	CLAMP,INTAKE PIPE	1	
9	02142-16125	SCREW,FRAME COVER CENTER R	2	
10	13881HR7800	TUBE OUTLET (RT125D)	1	
11	13870-11124	TUBE COMP,DRAIN	1	
12	09401-14301	CLIP	1	
13	02142-06205	SCREW,REAR FENDER	1	

FIG.19



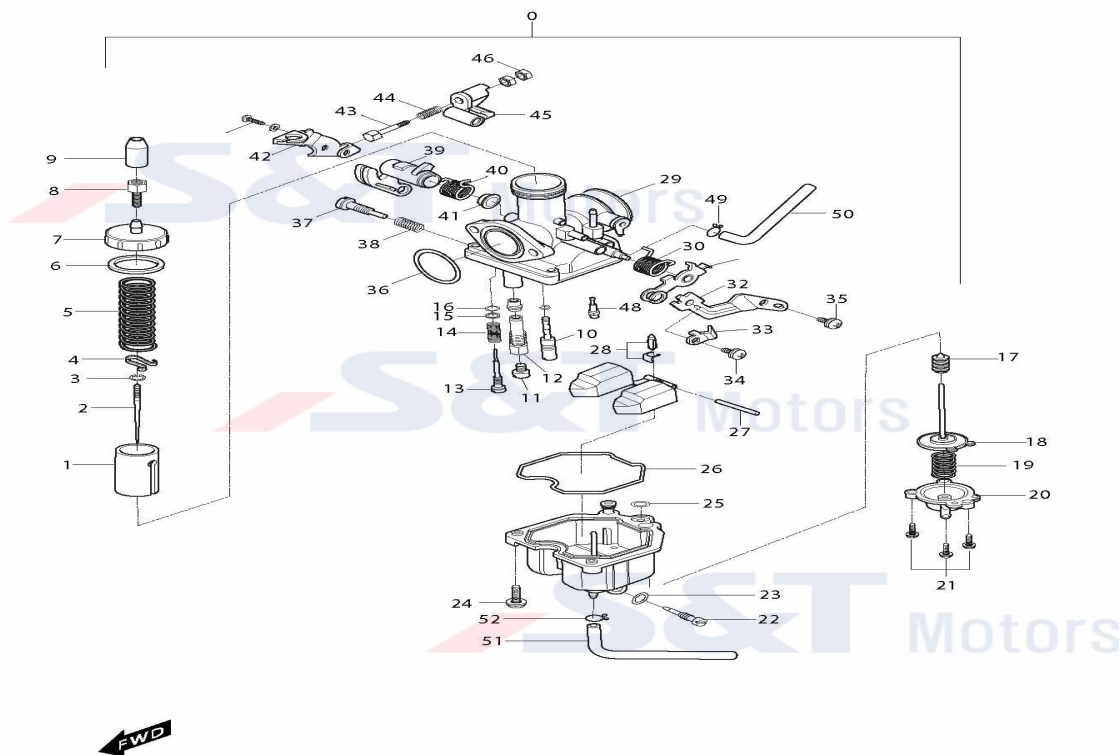
SEQ	PART CODE	PART NAME	U/S	REMARK
1	33610H06C11	BATTERY ASS'Y(12V 6AH)(FXM,GD)	1	
2	33860HM5400	LEAD WIRE,BATTERY MINUS(RT125)	1	
3	51811HM5400TAM	HOUSING HEAD LAMP UPPER (RT125	1	
3-1	51811HM5450TAM	HOUSING,HEAD LAMP(GT125 MEU01)	1	
3-2	51811HM5400TLG	HOUSING HEAD LAMP UPPER (RT125	1 MY15	
4	09103H06013	BOLT,HEAD LAMP HOUSING&BKT(GV)	2	
5	09320H09017	CUSHION,HEAD LAMP HOUSING (GV)	4	
6	09180H06034	SPACER (GV)	2	
7	08313-11066	NUT,HEAD LAMP HOUSING&BKT (GV)	2	
8	09160-06057	WASHER,HEADLAMP HOUSING&BKT(GV)	2	
9	02112-35168	SCREW,OIL PUMP	2	
10	09169-05008	WASHER,HANDLE COVER NO1	2	
11	09404-06405	CLAMP,WIRING HARNESS	2	
12	03241-05106	SCREW,HEAD LAMP HOUSING CLA(GV)	1	
13	51820HJ8201	BRACKET,HEAD LAMP HOUSING(GV25	1	





SEQ	PART CODE	PART NAME	U/S	REMARK
19	13452H93B00	SPRING,PUMP DIAPHRAM	1	

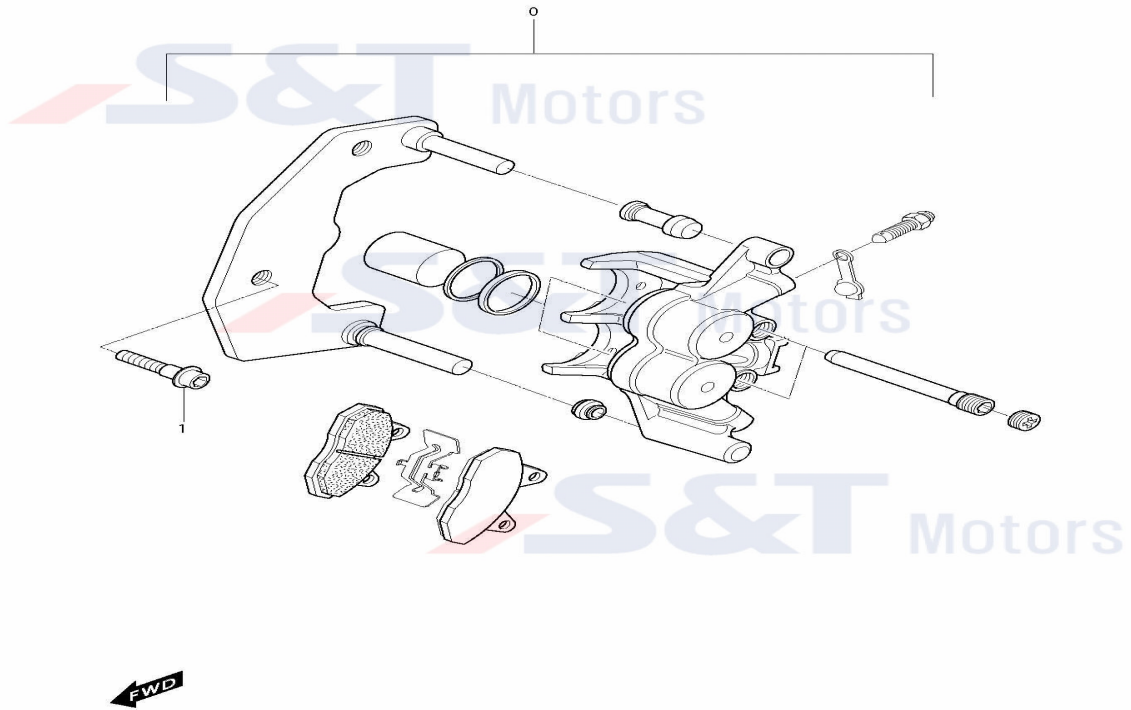
FIG 10



SEQ	PART CODE	PART NAME	U/S	REMARK
0	13200HR7810	CARBURETOR ASS'Y (RT125D)	1	Produced New Supplier, all below single parts cannot be applicable
1	13511H93B00	NULL	1	
2	13383H93B00	NEEDLE,JET	1	
3	13533H93B00	E-RING,THROTTLE VALVE	1	
4	13581H93B00	CLIP,CARBURETOR	1	
5	13573H93B00	SPRING,THOTTLE VALVE	1	
6	13249H93B00	GASKET,TOP COVER	1	
7	13261H93B00	COVER,TOP	1	
8	13577H93B00	ADJUSTER,THROTTLE CABLE	1	
9	13681H93B00	CAP,CARBURETOR TOP	1	
10	09492H40001	JET,PILOT (GA)	1	
11	09494H93B00	JET,MAIN	1	
12	09491H95001	JET,NEEDLE	1	
13	13279H93B00	SCREW,PILOT (GA)	1	
14	13268H93B00	SPRING,PILOT SCREW	1	
15	13291H93B00	WASHER,CARBURETOR	1	
16	13295H93B00	O-RING (GA)	1	
17	13455H93B00	CAP,SEALING	1	

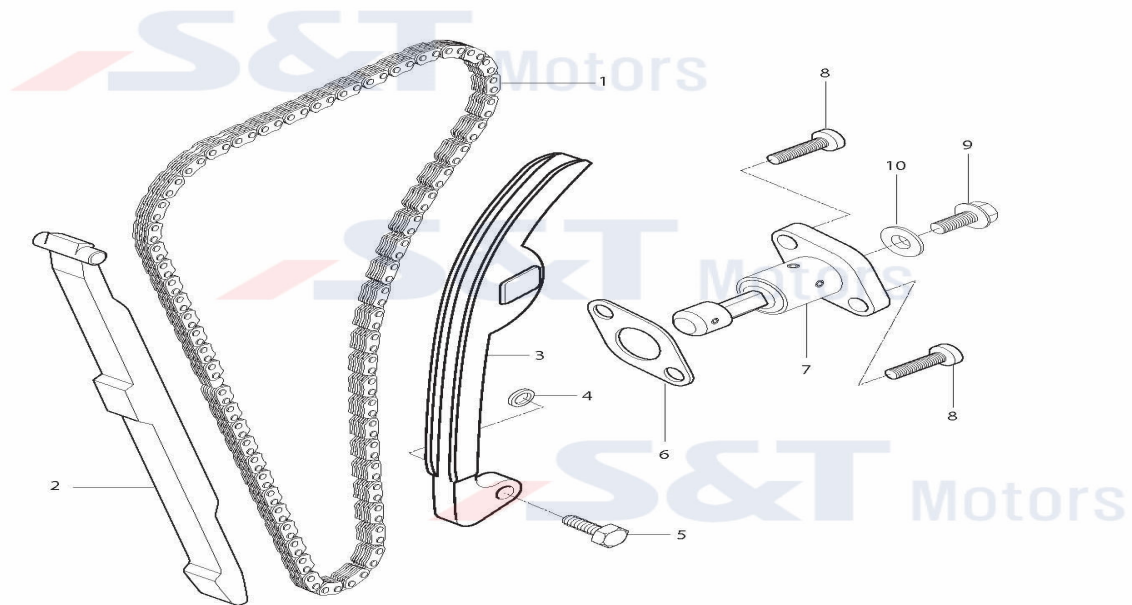
18	13460H93B00	DIAPHRAGM COMP,PUMP (GA)	1
20	13450H93B00	COVER COMP,PUMP	1
21	02112-44126	SCREW,CARBURETOR	3
22	13247H93B00	SCREW,DRAIN (GA)	1
23	13278H93B00	O-RING,DRAIN SCREW (GA)	1
24	02112-44166	SCREW,CARBURETOR	3 NOT SALE
25	13297H93B00	O-RING (GA)	1
26	13258H93B00	GASKET FLOAT CHAMBER	1
27	13250H93B00	FLOAT COMP	1
28	13370H93B00	VALVE ASS'Y,NEEDLE (GA)	1
29	13410H93B00	SHAFT ASS'Y,CHOKE	1
30	13472HF4601	NULL	1
31	13411H93B00	LEVER,CHOKE	1 NOT SALE
32	13413H93B00	STAY,CHOKE WIRE	1
33	13415H93B00	PLATE,STAY	1
34	02112-45126	SCREW,CARBURETOR	1
35	02112-44086	SCREW,CHOCK WIRE START	1
36	13277H93B00	O-RING,CARBURETOR	1
37	13267H93B00	ADJUSTER,THROTTLE	1
38	13268H93B00	SPRING,PILOT SCREW	1
39	13441H93B00	PUMP ARM-B	1
40	13443H93B00	SPRING,PUMP ARM-B	1
41	13442H93B00	GUIDE,PUMP ARM-B	1
42	13449H93B00	STAY PLATE,PUMP ARM	1
43	13447H93B00	ADJUSTER,PUMP	1
44	13446H93B00	SPRING,PUMP ARM-A	1
45	13445H93B00	PUMP ARM-A	1
46	08310-31046	NUT,PUMP ADJUSTER	1
47	02112-45146	SCREW,CARBURETOR	1
48	13448H93B00	NOZZLE,PUMP	1
49	09401-08401	CLIP,FUEL HOSE (GPS)	1
50	13684H93B00	HOSE,CARBURETOR	1 NOT SALE
51	13683H93B00	HOSE,CARBURETOR	1
52	09401-08401	CLIP,FUEL HOSE (GPS)	1

FIG.38



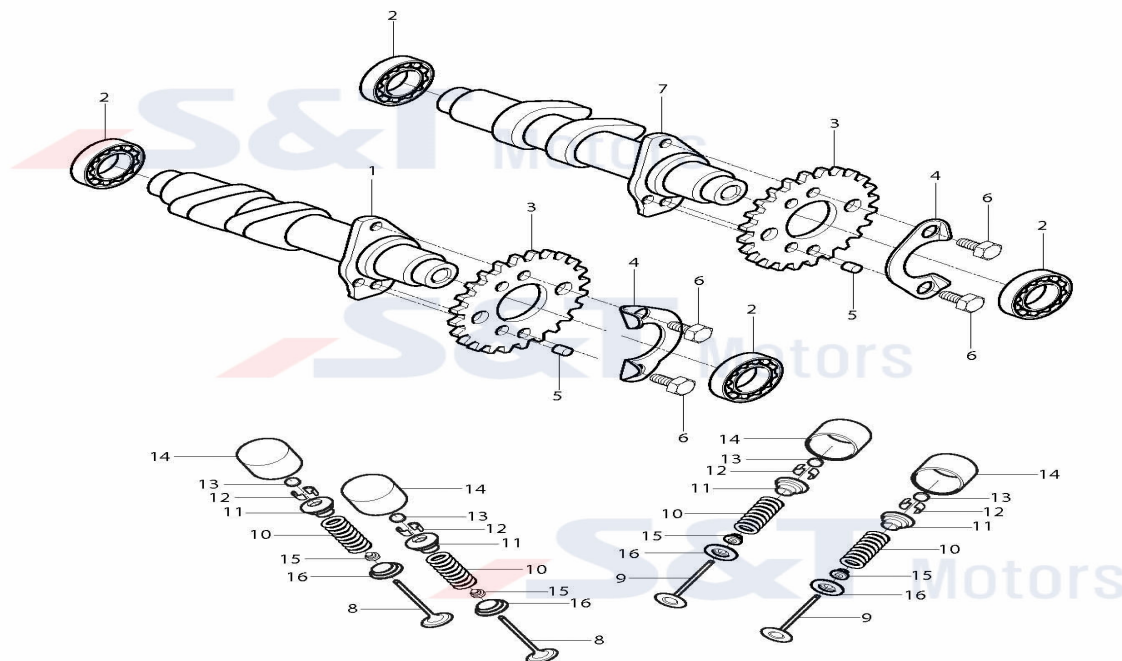
SEQ	PART CODE	PART NAME	U/S	REMARK
0	59300HR7800	CALIPER ASSY,FRONT (RT125D)	1	
1	01517-08508	BOLT,CHAIN ADJUSTER SP	1	
2	59301HP9500	PAD SET(8.4T) (GV650)	1	

FIG 9



SEQ	PART CODE	PART NAME	U/S	REMARK
1	12760-16E00	CHAIN CAM SHAFT DRIVE(GT250RN)	1	
2	12771-16E00	GUIDE CAM CHAIN NO.1 (GSX)	1	
3	12811-16E00	TENSIONER CAM CHAIN (GSX)	1	
4	08211-06181	WASHER CAMLINK TENS BOLT (GD)	1	
5	12812H35C00	BOLT CAM CHAIN TENSIONER (GD)	1	
6	12837HP7600	GASKET,TENSIONER ADJUSTER (GT)	1	
6-1	12837H31321	GASKET,TENSION ADJUSTER (GV125)	1	
7	12830H88600	ADJUST ASSY,TENSIONER(GT125RAT)	1	
7-1	12830H31320	ADJUSTER ASS'Y,TENSION (GV,GD)	1	
8	07110-06208	BOLT,FRONT FENDER LH (GD,GA-F)	2	
9	12839HN9120	SCREW,TENSIONER ADJUSTER(GT250)	1	
10	12838HP7600	O-RING,ADJUSTER (RX125D)	1	

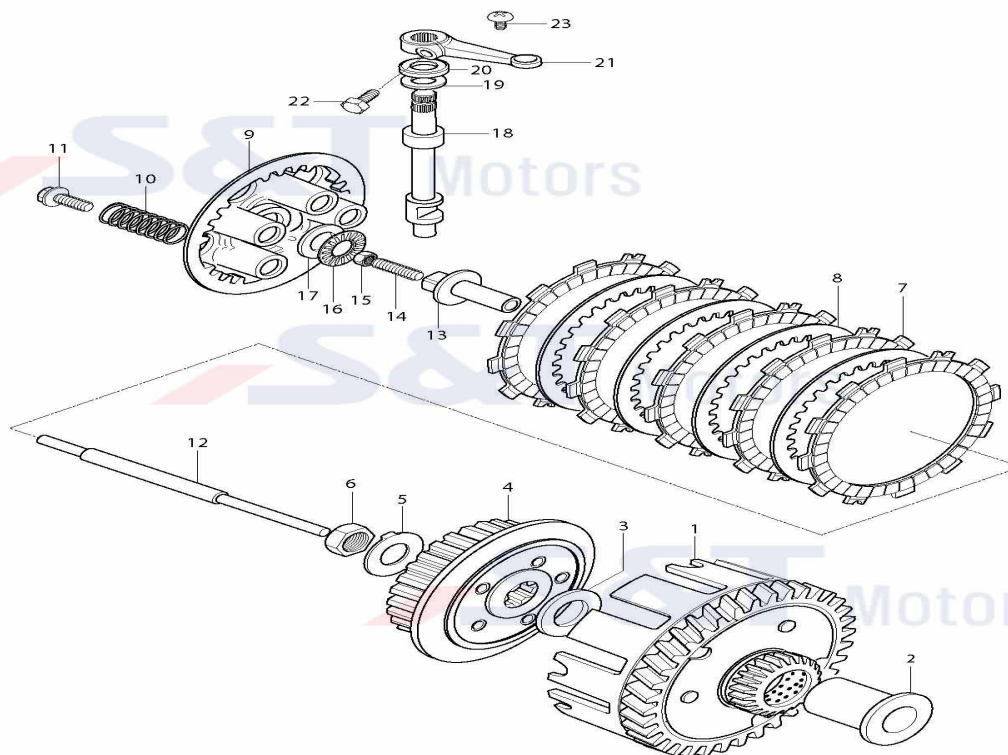
FIG 8



SEQ	PART CODE	PART NAME	U/S	REMARK
1	12711-35C00	CAMSHAFT INTAKE (GD)		1 =12711-35C00888
1-1	12711S35C00HPA	CAM SHAFT INTAKE SET (GD)		1
2	09262H17005	BEARING,CAM SHAFT (GT250)		4 =09262-17019
3	12741H16E00	SPROCKET,CAM SHAFT (GD)		2
4	12747-44B00	WASHER SPROCKET (GD)		2
5	09261-05005	KNOCK PIN,SPROCKET		2
6	09111-06032	BOLT,SPROCKET		4
7	12721-35C00	CAM SHAFT EXHAUST		1 =12721-35C00888
7-1	12721S35C00HPA	CAM SHAFT EXHAUST SET (GD)		1
8	12911HJ8200	VALVE,INTAKE (GV250)		2
9	12912HJ8200	VALVE,EXHAUST (GV250)		2
10	12921HJ8200	VALVE SPRING (GV250)		4
11	12931HJ8200	RETAINER,VALVE SPRING (GV250)		4
12	12932HJ8200	COTTER,VALVE (GV250)		8
13-1	12892-05C00160	SHIM TAPPET (GD)		4
13-2	12892-05C00-165	NULL		4
13-3	12892-05C00170	SHIM TAPPET (GD)		4
13-4	12892-05C00-175	NULL		4

13-5	12892-05C00180	SHIM TAPPET	(GD)	4
13-6	12892-05C00-185	NULL		4
13-7	12892-05C00190	SHIM TAPPET	(GD)	4
13-8	12892-05C00-195	NULL		4
14	12891-16E00	TAPPET	(GD)	4 cor. 12881HJ8200
14-1	12881H88400	TAPPET	(GV250N)	4 =12881HJ8200
15	09289H04002	SEAL,VALVE STEM OIL	(GV250)	4
16	12933HJ8200	SEAT,VALVE SPRING	(GV250)	4

FIG 14

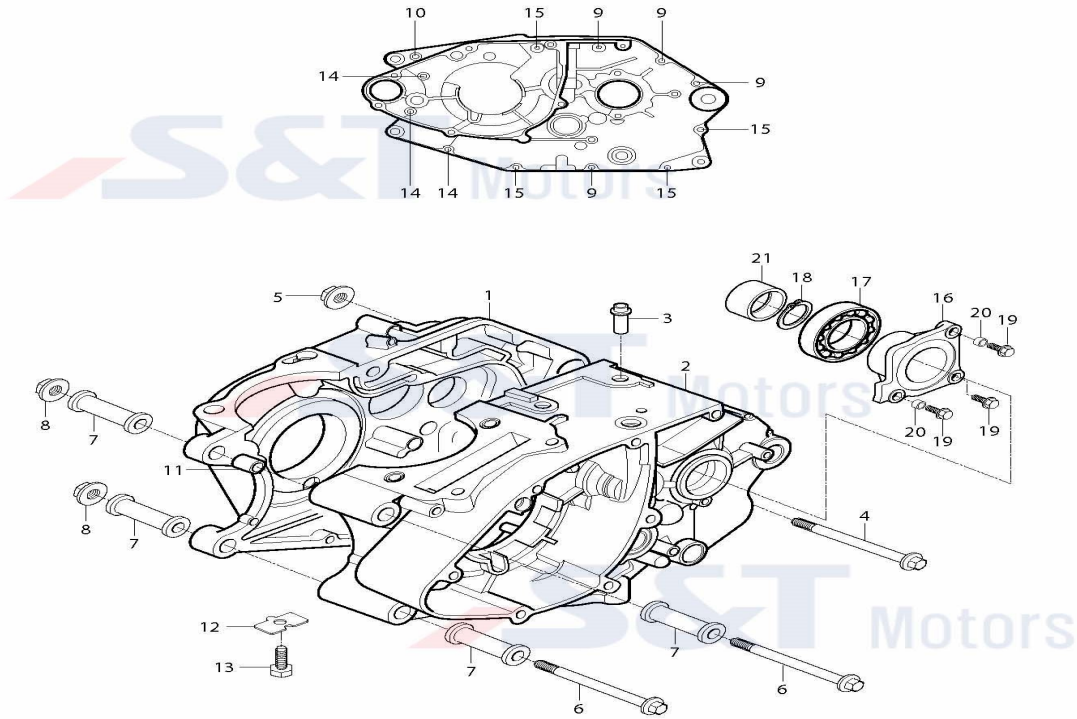


SEQ	PART CODE	PART NAME	U/S	REMARK
1	21210HR7800HPA	PRIMARY GEAR SET (RT125D)	1	
2	21251H13E00	SPACER PRIM DRVN GEAR (125CC)	1	
3	08211-20352	THRUST WASHER CL SLEEVE HUB	1	
4	21411-05200	HUB,CLUTCH SLEEVE (GV125)	1	
5	09169-16003	WASHER,CLUTCH SLEEVE	1	
6	09140-16014	NUT,CLUTCH SLEEVE	1	
7	21441-13A01	PLATE,CLUTCH DRIVE (GV125)	5	
8	21451-28000	PLATE,CLUTCH DRIVEN	4	
9	21462-14102	DISK,CLUTCH PRESSURE(TN,R,GS)	1	
10	09440-15014	SPRING,CLUTCH	5	
11	09116-05003	BOLT,CLTCH SPRING	5	
12	23110-05202	ROD COMP,CLUTCH PUSH	1	
13	23121-38201	PIECE CLUTCH PUSH (GD)	1	
14	09134-06010	SCREW,CLUTCH RELEASE	1	
15	09140-06023	NUT CLUTCH RELEAS ADJUST(GSX)	1	
16	09263-15003	THRUST BEARING,3RD DRIVE	1	
17	09160-15015	THRUST WASHER,CLUTCH RELEASE	1	
18	23122-05200	CAM SHAFT CLUTCH RELEASE	1	



19	08211-10201	THRUST WASHER,CLUTCH RELEASE	1
20	09282-10007	OIL SEAL,CLUTCH RELEASE CAM	1
21	23271HJ8250	ARM,CLUTCH RELEASE (GV250- KEU	1
22	01107-06165	BOLT,CLU RELEASE ARM	1
23	02142-06108	SCREW,KICK STARTER	1

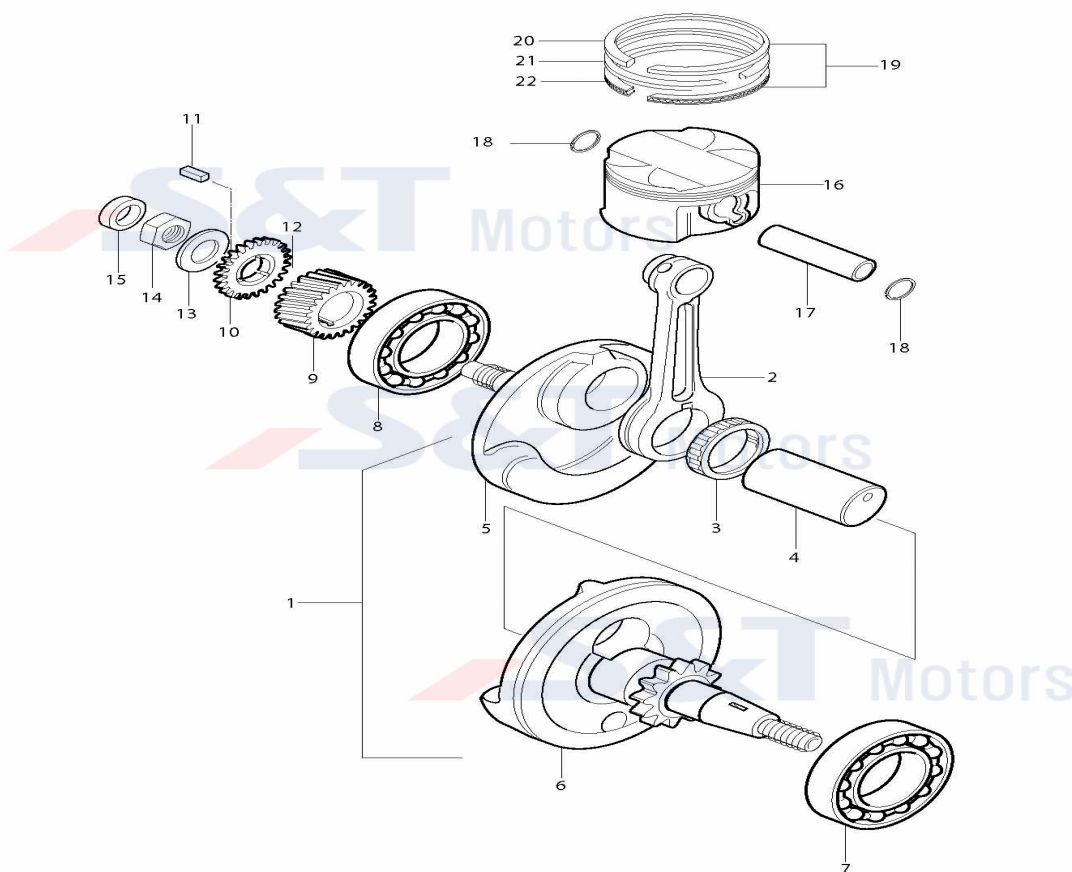
FIG 3



SEQ	PART CODE	PART NAME	U/S	REMARK
1	11310H35C20PCC	CRANK CASE COMP,R (RT125)	1	
2	11320HR7800PCC	CRANK CASE L (RT125D)	1	
3	09364-12001	UNION,BREATHER HOSE	1	
4	09103-08072	BOLT E/G MOUNT.R/R LOW L (GD)	1	
5	08319-31088	NUT,PILLION FOOTREST	1	
6	09103-08081	BOLT,ENGINE MOUNT L 50	2	
7	11610-29B00	SPACER ENGIN MOUTING	4	
8	08319-31088	NUT,PILLION FOOTREST	2	
9	41911-35C00	PLATE E/G MOUNTING N1 R (GSX)	4	
10	01137-08168	BOLT,PROP STAND SPRING	1	
11	04213-13189	PIN,CRANK CASE (GT&GV)	2	
12	11319-05200	PLATE,OIL GALLAY PLUG	1	
13	01904-06108	BOLT,OIL GAL PLATE	1	
14	01547-06558	BOLT,CRANK CASE	3	
15	01547-06608	BOLT,CAM SHAFT HOLDER (GA)	4	
16	27541HM5402	BRACKET,E/G SPROCKET SPACER	1	
17	09262H28005	BEARING,E/G SPROCKET SPACER(RT)	1	
18	08331-41529	CIRCLIP (RT125)	1	

19	01547-06258	BOLT,INTAKE HEAD (GV650)	3
20	04213-09129	PIN,MAGNETO COVER	2
21	27532HM5402	SPACER,EG SPROCKET (RT125)	1

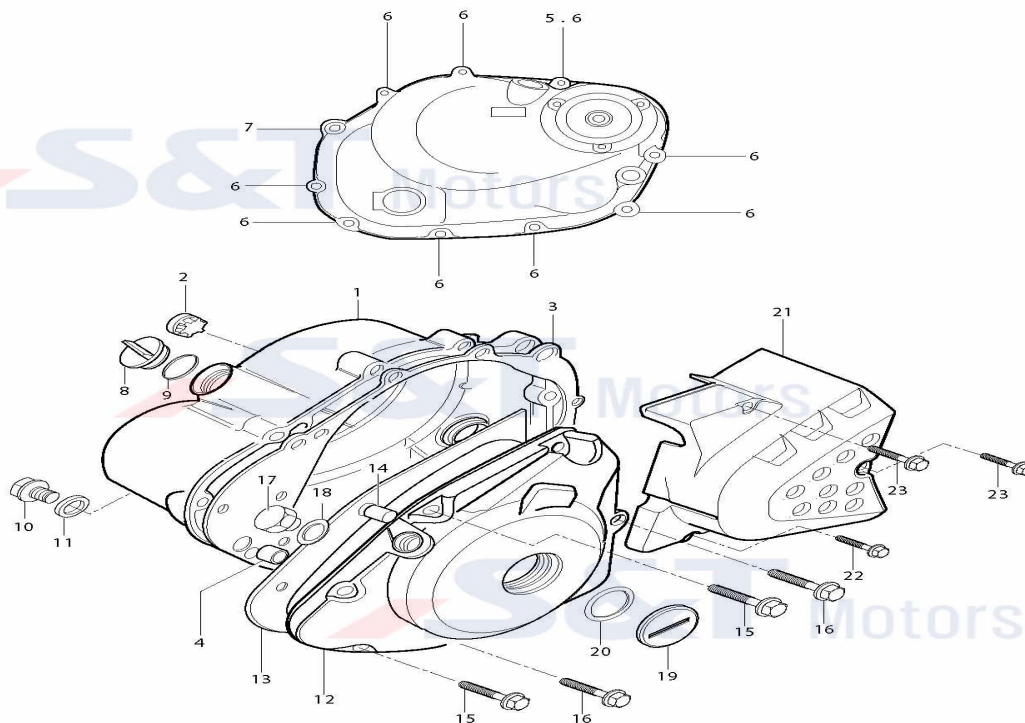
FIG 6



SEQ	PART CODE	PART NAME	U/S	REMARK
1	12200H35C00HPA	CRANK SHAFT ASS'YΦ30 (GD125	1	
1-1	12200H35C02	CRANK SHAFT ASS'Y (RT125D)	1	=12200H35C00HPA
2	12161HJ8200	ROD,CONNECTING (GV250)	1	
3	09263H30003	BEARING,CRANK PIN (GD)	1	
4	12211HF4600HPA	PIN COMP,CRANK (RT/RX)	1	=PIN+BALL
5	12261H35C02CSA	CRANK SHAFT L (125CC)	1	
6	12221HF4600CSA	CRANK SHAFT R (125CC)	1	
7	09262H28003	BEARING CRANK SHAFT R (125CC)	1	
8	09262H35002	BEARING,CRANK SHAFT L(RX125SM)	1	
9	21111-35C00	GEAR PRIMARY DRIVE (GD)	1	
10	21112-35C00	GEAR PRIMARY DRIVE NO2 (GSX)	1	
11	09421-04004	KEY,PRIMARY DRIVEN GEAR	1	
12	21114-35C00	SPRING PRIARY DRIVE GEAR(GSX)	3	
13	09166-16012	WASHER,PRIMARY DRIVEN GEAR	1	
14	09140-16019	NUT,PRIMARY DRIVEN GEAR	1	
15	09282-12001	OIL SEAL,CRANK SHAFT RH	1	
16	12111-16E00	PISTON (GT250)	1	=12111-16E00PPS
16-1	12111S16E00HPA	PISTON ASS'Y (GD)	1	

17	12151-30B00	PIN,PISTON (GD,GA-F)	1
18	09381-15001	CIRCLIP,PISTON PIN (GD,GA-F)	2
19	12140-16E00	RING SET,PISTON (GD,GA-F)	1 12141-16E00,12142-16E00,12144-16E00
20	12141-16E00	RING,PISTON 1ST (GD,GA-F)	1
21	12142-16E00	RING,PISTON 2ND (GD,GA-F)	1
22	12144-16E00	RING,PISTON OIL (GD,GA-F)	1

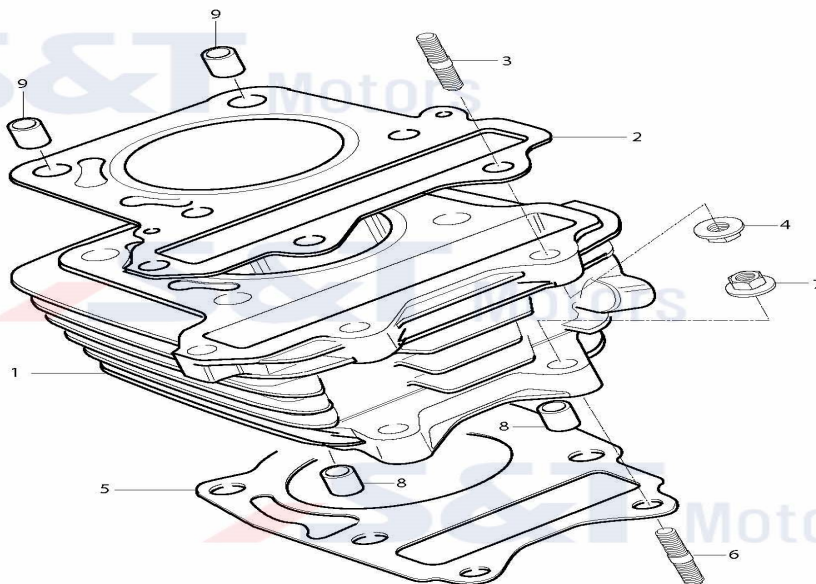
FIG 4



SEQ	PART CODE	PART NAME	U/S	REMARK
1	11340-35C00121	COVER COMP CLUTCH (GD)	1	
2	11971-45010	LENS,OIL LEVEL (TN,RG,GS)	1	
3	11482H35C01	GASKET,CLUTCH COVER (GD)	1	
4	04211-13189	KNOCK PIN	2	cor. 04213-13189
4-1	04213-13189	PIN,CRANK CASE (GT&GV)	2	
5	09168H06009	GASKET OIL GALLERY PLUG (GD)	1	
6	01547-06308	BOLT,MAGNET&CLUTCH COVER (EZ)	9	
7	01547-06458	BOLT,CLUTCH COVER	1	
8	09259-20012121	PLUG,ENGINE OIL FILTER (GD)	1	
9	09280-17003	O/RING,ENGINE OIL FILTER	1	cor. 09280H17003
9-1	09280H17003	O-RING,ENGINE OIL FILTER (FX)	1	
10	09247-14026	PLUG,BOLT	1	
11	09168H14003	GASKET,OIL CHECK PLUG (SB)	1	
12	11351-35C00999	COVER MAGNETO (RT)	1	
13	11483H05301	GASKET,MAGNETO COVER (GD)	1	
14	04211-09129	PIN,CLUTCH COVER	1	cor. 04213-09129
14-1	04213-09129	PIN,MAGNETO COVER	1	
15	01547-06258	BOLT,INTAKE HEAD (GV650)	1	

16	01547-06358	BOLT,MAGET&SPROCKET COV	1
17	09247-12103	PLUG MUFF DRAIN	1
18	09168-12002	GASKET,MUFFLER DRAIN	1
19	09259-26015121	PLUG,CRANK SHAFT HOLE□□(TN	1 BLACK
20	09280-22008	O/RING,CRANK SHAFT HOLE PL	1
21	11361HR7800121	COVER,ENGINE SPROCKET (RT125D)	1
22	01547-06258	BOLT,INTAKE HEAD (GV650)	1
23	01547-06458	BOLT,CLUTCH COVER	1

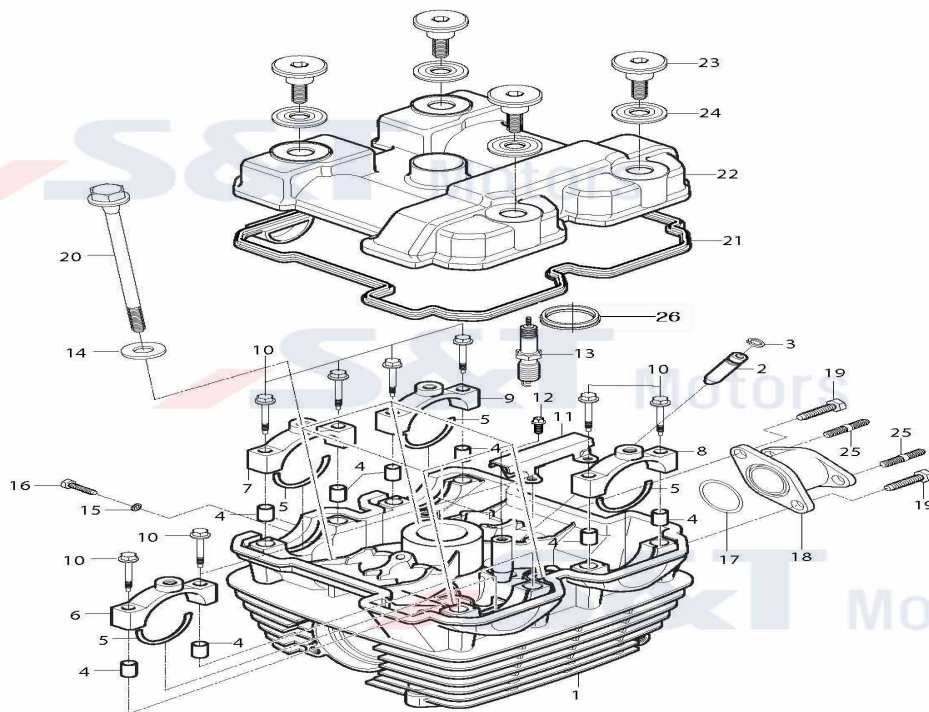
FIG 2



SEQ	PART CODE	PART NAME	U/S	REMARK
1	11210HR7801PCY	CYLINDER COMP (RT125D)	1	MUST with 12830H88600 TENSIONER ADJUST ASSY
1-1	11210HC5200	CYLINDER COMP (RT125D)	1	MUST with 12830H31320 TENSIONER ADJUST ASSY
2	11141HR7800	GASKET,CYLINDER HEAD (RT125D)	1	
3	01421-06255	STUD BOLT,CYL HEAD	3	
4	08316-16065	NUT,CYLINDER HEAD NO1	3	
4-1	08316-16068	NUT (GV650)	3	[2011/2/16]
5	11241H35C01	GASKET,CYLINDER (GD)	1	
6	01421-06255	STUD BOLT,CYL HEAD	2	
7	08316-16065	NUT,CYLINDER HEAD NO1	2	
7-1	08316-16068	NUT (GV650)	2	[2011/2/16]
8	04211-11129	PIN,CYLINDER HEAD KNOCK	2	cor. 04213-11129
8-1	04213-11129	KNOCK PIN,CYLINDER (GAF)	2	
9	04211-11169	KNOCK PIN,CYLINDER HEAD	2	cor. 04211-11169
9-1	04213-11169	PIN,CYLINDER HEAD KNOCK (FX)	2	



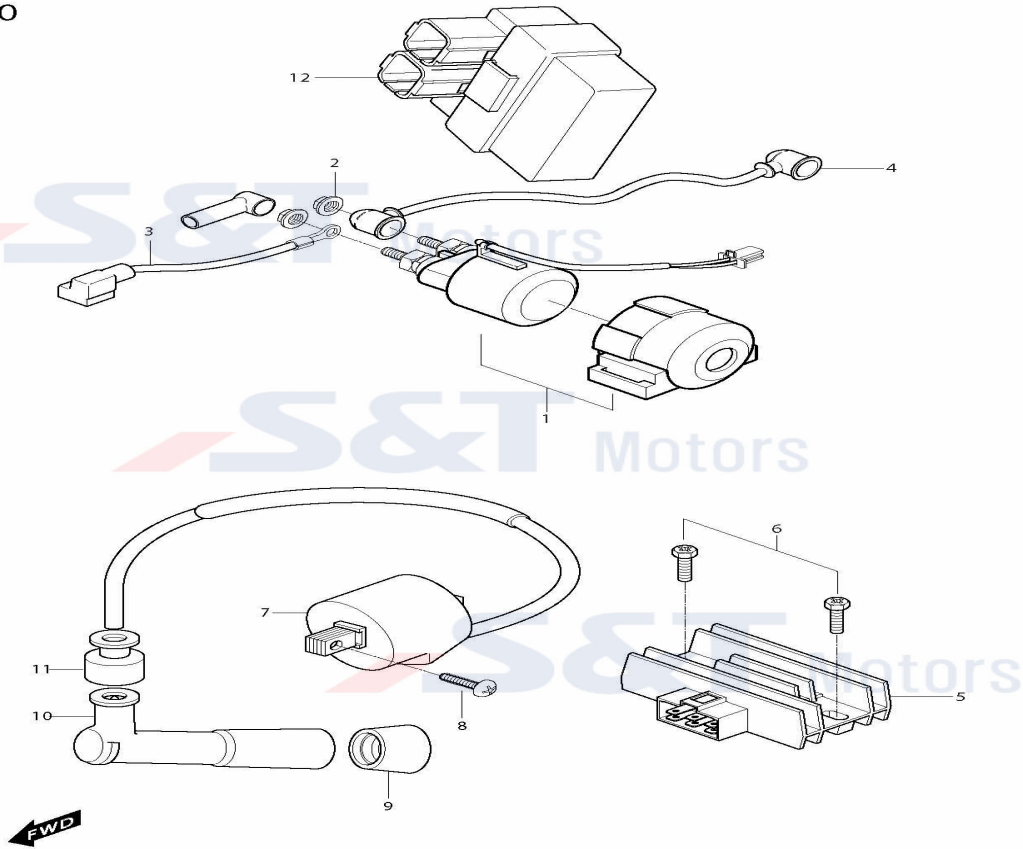
FIG 1



SEQ	PART CODE	PART NAME	U/S	REMARK
1	11100SR7801HPA	CYLINDER COMP,HEAD (RT125D)	1	
1-1	11100HM5410HPA	HEAD CYLINDER ASS'Y (RT125D)	1	
2	11115HJ8200	GUIDE,VALVE (GV250)	4	cor. 11115E33D01
2-1	11115E33D01	GUIDE VALVE (GD)	4	
3	09381-10004	SNAP RING,VALVE GUIDE	4	
4	09206-08001	PIN,MAGNET COVER (GT&GV)	8	
5	09390-35001	C-RING	4	
6	11121M35C00	HOUSING, CAM SHAFT NO1 (GD)	1	
7	11122M35C00	HOUSING, CAM SHAFT NO2 (GD)	1	
8	11123M35C00	HOUSING, CAM SHAFT NO3 (GD)	1	11123-35C00PCH
8-1	11123-35C00PCH	HOUSING CAM SHAFT (GD)	1	
9	11124M35C00	HOUSING, CAM SHAFT NO4 (GD)	1	cor. 11124-35C00PCH
9-1	11124-35C00PCH	HOUSING CAM SHAFT (GD)	1	
10	09103-06013	BOLT (GD)	8	
11	12782-35C00	GUIDE CAM CHAIN NO.2 (GSX)	1	
12	01517-06125	BOLT,COVER CYLINDER HEAD	2	
13	09482-00456HAS	SPARK PLUG(CR8E)	1	
14	09168-08021	GASKET CYLINDER HEAD BOLT	4	

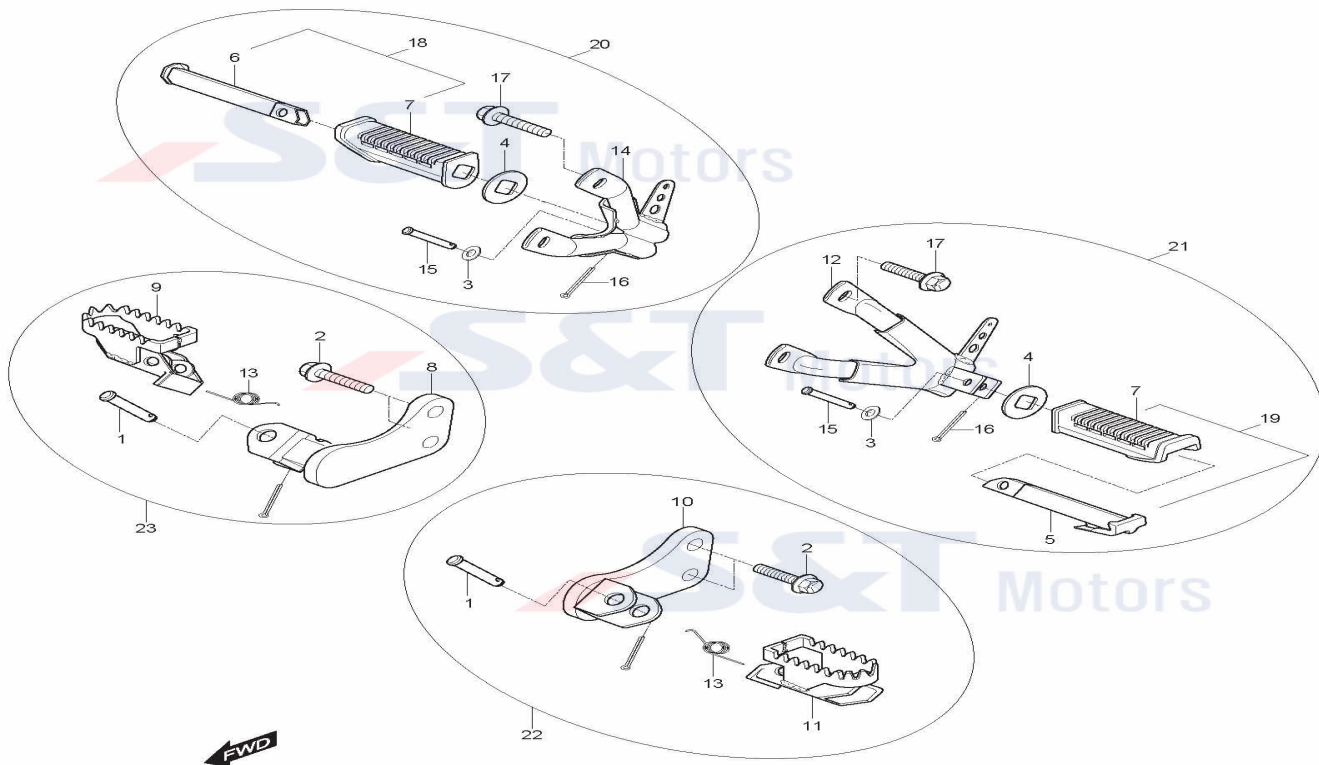
15	09168H06009	GASKET OIL GALLERY PLUG (GD)	2
16	09103-10219	BOLT E/G MOUNT.F/T L185 (GD)	2
17	09280-36004	O-RING INTAKE PIPE (GD)	1
18	13110HR7800	PIPE COMP,INTAKE (RT125D)	1
19	02122-06208	SCREW,CRANK OUTER	2
20	09402-48209	CLAMP,INTAKE PIPE	4
21	11173-35C00	GASKET CYL/HEAD COVER NO.1	1
22	11171-35C00999	CYLINDER HEAD COVER (GD)	1
23	09106-07009	BOLT CYL/HEAD COVER L5.5	4
24	09161H11008	WASHER,CYLINDER HEAD COVER(GD)	4
25	01421-06168	STUD BOLT,CYLINDER 2	2
26	11178-17E00	GASKET CYL/HEAD COVER NO.2	1

FIG.20



SEQ	PART CODE	PART NAME	U/S	REMARK
1	31800HG5100	RELAY ASSY'STARTING MOTOR (GV)	1	
2	08316-26066	NUT,REAR COMBI LAMP	2	
3	33840HM5401	LEAD WIRE,BATTERY PLUS (RT125)	1	
4	33850HM5401	LEAD WIRE,STARTER MOTOR (RT125)	1	
5	32800H01413	REGULATOR ASS'Y (TN,RG,GS)	1	
5-1	32800HN9150	RECTIFIER REGULATOR (GV125CN)	1	From Oct 2011
6	09128-06035	BOLT,FUEL COCK	2	
6-1	01517-06166	BOLT,STEERING LOCK (GV)	2	[2011/9/6]
7	33410HG5800	COIL ASS'Y,IGNITION (RX)	1	
8	09128-06035	BOLT,FUEL COCK	2	
8-1	01517-06166	BOLT,STEERING LOCK (GV)	2	[2011/9/6]
9	33541-23501	NULL	1	
10	33510-05C01	CAP,SPARK PLUG (GV)	1	
10-1	33500H88412	CAP ASSY,SPARK PLUG (GV250N)	1	
11	33542-24D00	SEAL HIGH TENSION CORD (GSX)	1	
12	32900HR7801	CDI UNIT (RT125D)	1	
12-1	32900HR7801	CDI UNIT (RT125D)	1	

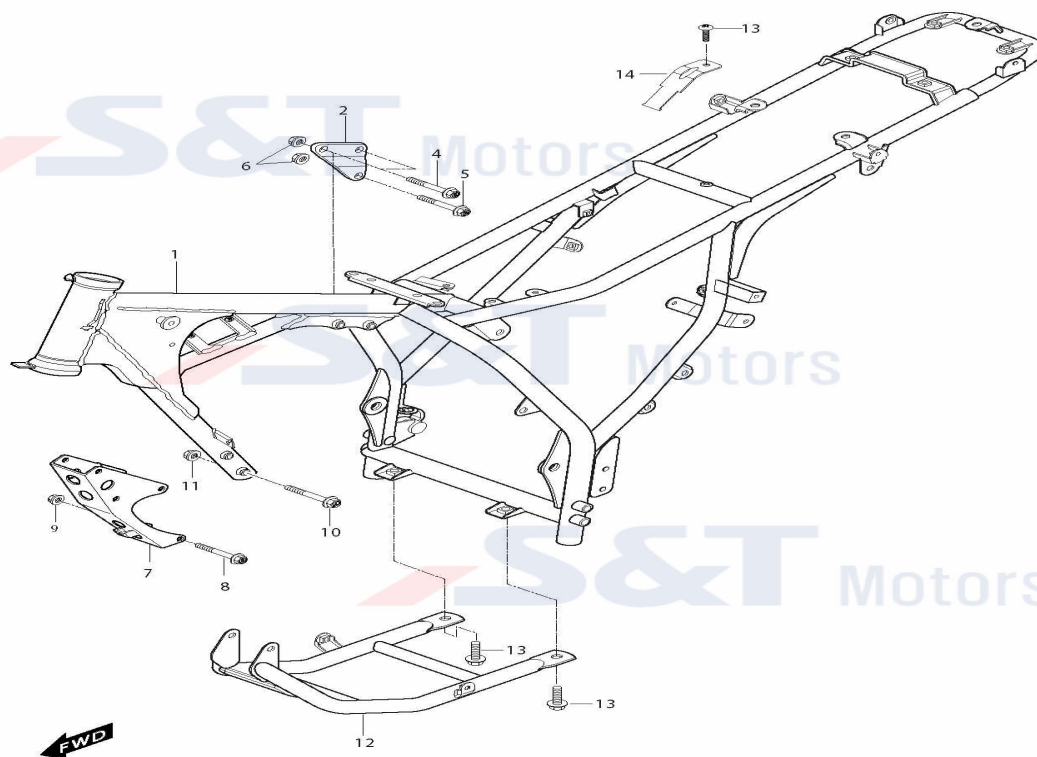
FIG 29



SEQ	PART CODE	PART NAME	U/S	REMARK
1	09200-10008	PIN,FRONT FOOTREST BKT (RX)	2	
2	09116H10061	BOLT,FRONT FOOTREST BAR	4	
3	08322-21068	WASHER HEAD LAMP AIMING	2	
4	43631-34A00	WASHER,FOOTREST RUBBER	2	
5	43710-12B01	BAR COMP,PILLION FOOT L (RX)	1	
6	43610-12B01	BAR COMP,PILLION FOOTREST R(RX)	1	
7	43551-29B21	RUBBER,PILLION FOOTREST (RX)	2	
8	43510HM5402120	BRACKET,FRONT FOOTREST R(RT125)	1	
9	43550-08B10	FOOTREST COMP,FRONT R (RX)	1	
10	43520HM5401120	BRACKET COMP,FT FOOTREST L(RT)	1	
11	43560-08B10	FOOTREST COMP,FRONT L (RX)	1	
12	43750HG5800PAM	BRACKET,PILLION FOOTREST L(RT)	1	
13	09448H16001	SPRING (GA)	2	
14	43650HG5800PAM	BRACKET,PILLION FOOTREST R(RT)	1	
15	09200H06057	PIN PILLION FOOTREST (GD)	2	
16	04111-20208	COTTER PIN	2	
17	01517-08168	BOLT REAR AXLE BRI HOUSING	4	

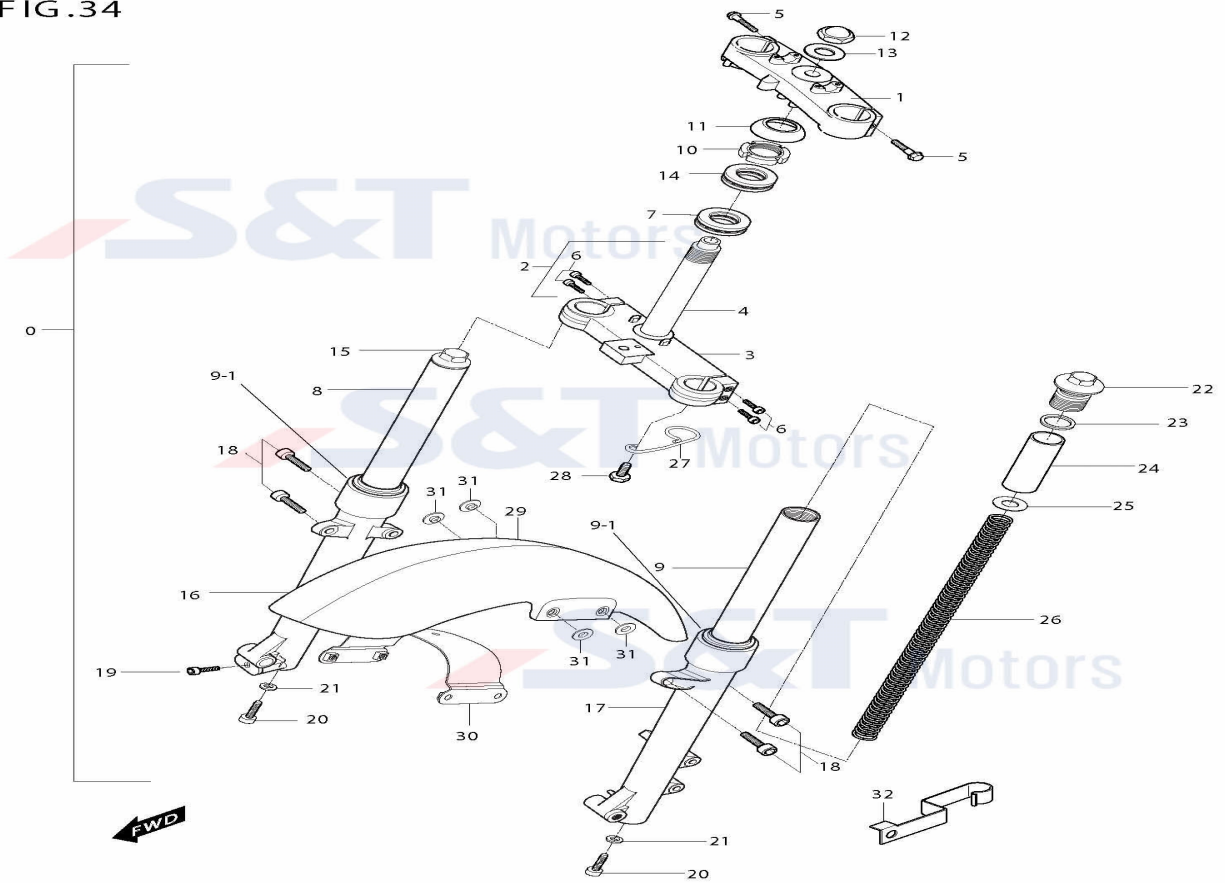
18	43600HG5800	FOOTREST ASSY,PILLION R (RX)	1
19	43700HG5800	FOOTREST ASSY,PILLION L (RX)	1
20	43650HM5400HPA	BRACKET,PILLION F/REST R(RT125	1
21	43750HM5400HPA	BRACKET,PILLION F/REST L(RT125	1
22	43520HM5400HPA	BAR FRONT FOOTREST L ASS'Y(RT)	1
23	43510HM5400HPA	BAR FRONT FOOTREST R ASSY (RT)	1

FIG.26



SEQ	PART CODE	PART NAME	U/S	REMARK
1	41100HR7800PAM	FRAME COMP (RT125D)	1	
1-1	41100HR7802PAM	FRAME COMP (RT125D)	1	[2011/12/9]
2	41993HR7900120	PLATE E/G MTG UPP R□□	1	
3	02142-06126	SCREW UPPER CABLE GUIDE NO1(GV	1	
4	01517-08608	BOLT,ENGINE MOUNTING UPPER(RX)	2	
5	01517-08508	BOLT,CHAIN ADJUSTER SP	1	
6	08319-31088	NUT,PILLION FOOTREST	3	
7	41990HG5801PAM	BRACKET E/G MOUNTING LOW(RT125	1	
8	09103H10149	BOLT,ENGINE MOUNT L80	2	
9	08319-31108	NUT,FRONT SORBER	2	
10	01517-08658	BOLT,ENGINE MOUNT,LOW	2	
11	08319-31088	NUT,PILLION FOOTREST	2	
12	41140HG5803PAM	TUBE COMP,DOWN (RT125)	1	
13	01517-08168	BOLT REAR AXLE BRI HOUSING	2	
14	63116HM5400	PLATE,CDI (RT125)	1	
20	42511HG5850	GUARD,ENGINE (RX)	1	

FIG.34

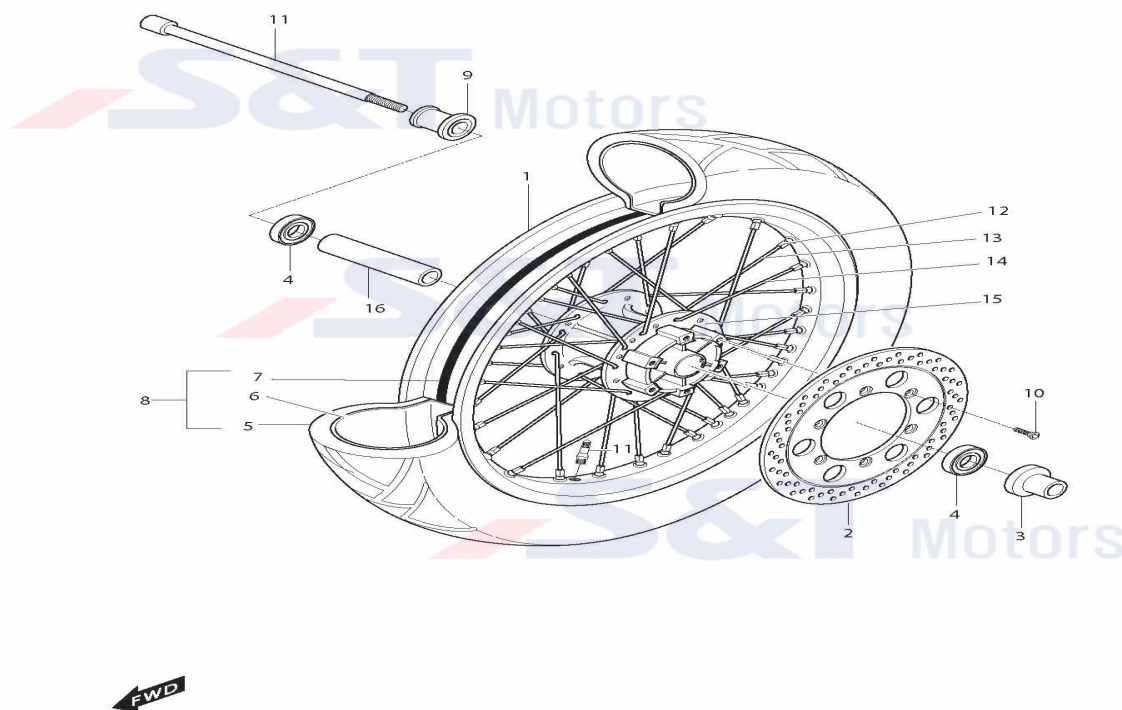


SEQ	PART CODE	PART NAME	U/S	REMARK
0	51100HM5400HPA	FRONT FORK ASS'Y (RT125)	1	Unusable P/NO
1	51311HM5400121	BRACKET,FRONT FORK UPPER(RT125)	1	
2	51410HM5400121	BRACKET,FRONT FORK UNDER(RT125)	1	
3	51411HM5401	UNDER BRACKET (RT125)	1	
4	51412HG5104	STEM PIPE (RT125)	1	
5	07110-08258	BOLT,FRAME JOINT	2	
6	07110-08258	BOLT,FRAME JOINT	4	
7	09265H25001	BEARING,STEERING UPPER (RX)	1	
8	51210HR7800	DAMPER ASS'Y,FRONT FORK R (RT)	1	
8-1	51210H87801	DAMPER ASS'Y,FRONT FORK R (RT)	1	KM4SF42A4D1503001~(11.2012~)
9	51220HR7800	DAMPER ASS'Y,FRONT FORK L (RT)	1	
9-1	51220H87801	DAMPER ASS'Y,FRONT FORK L (RT)	1	KM4SF42A4D1503001~(11.2012~)
10	51631-28000	NUT,STEERING	1	
11	51643HG5801	DUST SEAL,STEERING UPPER (RX)	1	
12	09159H22001	NUT,STEERING UPPER (RX)	1	
12-1	09159H22102	NUT,STEERING UPPER (GT650RN)	1	
13	09160H22031	WASHER,STEERING UPPER (RX)	1	

14	09265H28001	BEARING,STEERING LOWER (RX)	1
15	51432HG5100	NULL	1
16	51420HM5401	CASE BOTTOM R (RT125)	1
17	51520HM5401	CASE BOTTOM L (RT125)	1
18	07110-08256	BOLT,FRONT FENDER (GV)	4
19	07110-08358	BOLT,PILLION RIDER	1
20	07110-08256	BOLT,FRONT FENDER (GV)	2
21	90544H93B00	WASHER,SOCKET (GAF	2
22	51432HG5100	NULL	1
23	91356HG5100	O-RING (GV125)	2
24	51610HG5100	NULL	2
25	51402HG5100	NULL	2
26	51401HG5100	NULL	2
27	59266HM5400	GUIDE,FT BK HOSE & CABLE(RT125	1
28	02142-06126	SCREW UPPER CABLE GUIDE NO1(GV	1
29	53111HM5401TLO	FRONT FENDER (RT125D)	1
29-1	53111HM5401TVB	FRONT FENDER (RT125D)	1
29-2	53111HM5401TBK	FORNT FENDER (RT125D)	1
29-3	53111HM5401TWP	FRONT FENDER (RT125D)	1
29-4	53111HM5401TLG	FORNT FENDER (RT125D)	1 MY15
29-5	68256HD8500CRK	SYMBOL, KR WINDSCREEN (GD250R)	1 SYMBOL on F/Fender
30	53211HM5401	BRACE,FRONT FENDER (RT125)	1
31	09169-08034	WASHER,FRONT FENDER	4
32	59266HG5101	CLAMP,BRAKE HOSE NO1 (GV)	1



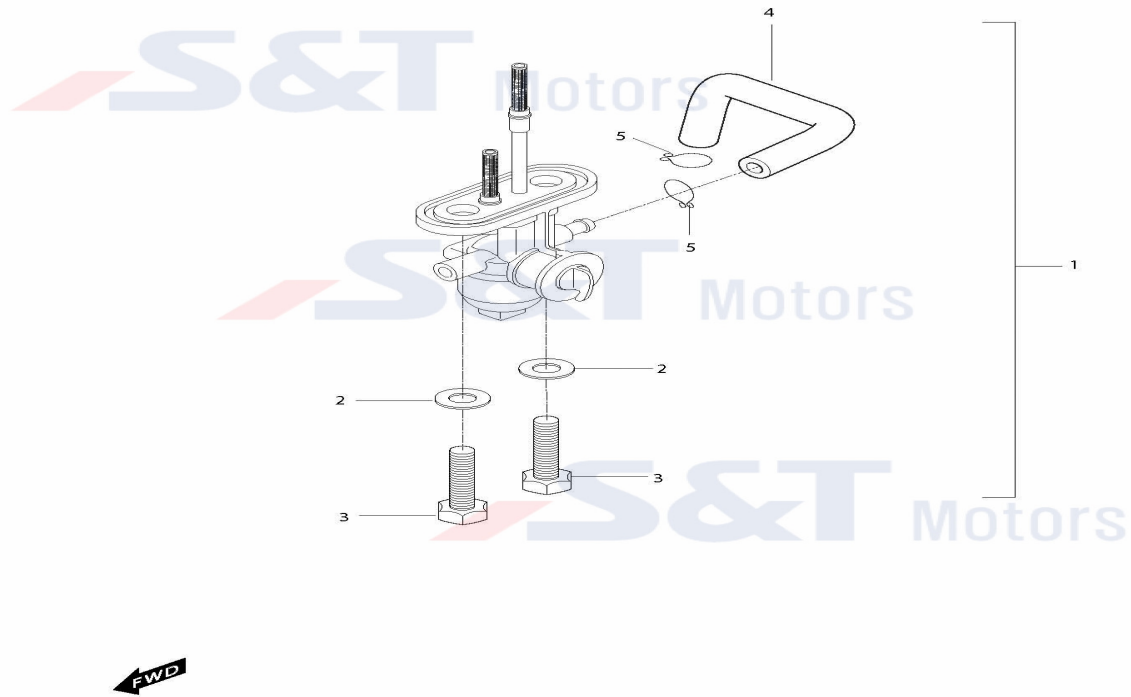
FIG.35



SEQ	PART CODE	PART NAME	U/S	REMARK
1	55311HM5401	RIM,FRONT WHEEL(J18*MT2.50)(RT	1	
2	59211HR7800	DISC,FRONT BRAKE (RT125D)	1	
3	54740HR7800	SPACER,FRONT AXLE L (RT125D)	1	
4	08124-63027	BEARING FRONT HUB R/L (GV)	2	
5	55100HM5400	TIRE COMP,FRONT (RT125)	1	
6	55200HM5400	TUBE WHEEL (RT125)	1	
7	55261HM5400	PPOTECTOR TUBE (RT125)	1	
8	55100HM5400	TIRE COMP,FRONT (RT125)	1	
9	54750HM5401	SPACER,FRONT AXLE R (RT125)	1	
10	59421-03A01	BOLT,FRONT BRAKE DISK (SBS)	4	
11	54711HG5101	AXLE,FRONT (GV)	1	
12	65325HM5400	NIPPLE,WHEEL SPOKE (RT125)	36	
13	55321HM5400	SPOKE,FRONT WHEEL INNER (RT125)	18	
14	55322HM5400	SPOKE,FRONT WHEEL OUTER(RT125)	18	
15	54110HM5400121	HUB COMP,FRONT WHEEL (RT125)	1	
16	54731HG5100	SPACER (GV)	1	
17	54110HM5400HPA	WHEEL FRONT+TIRE ASS'Y (RT125)	1	

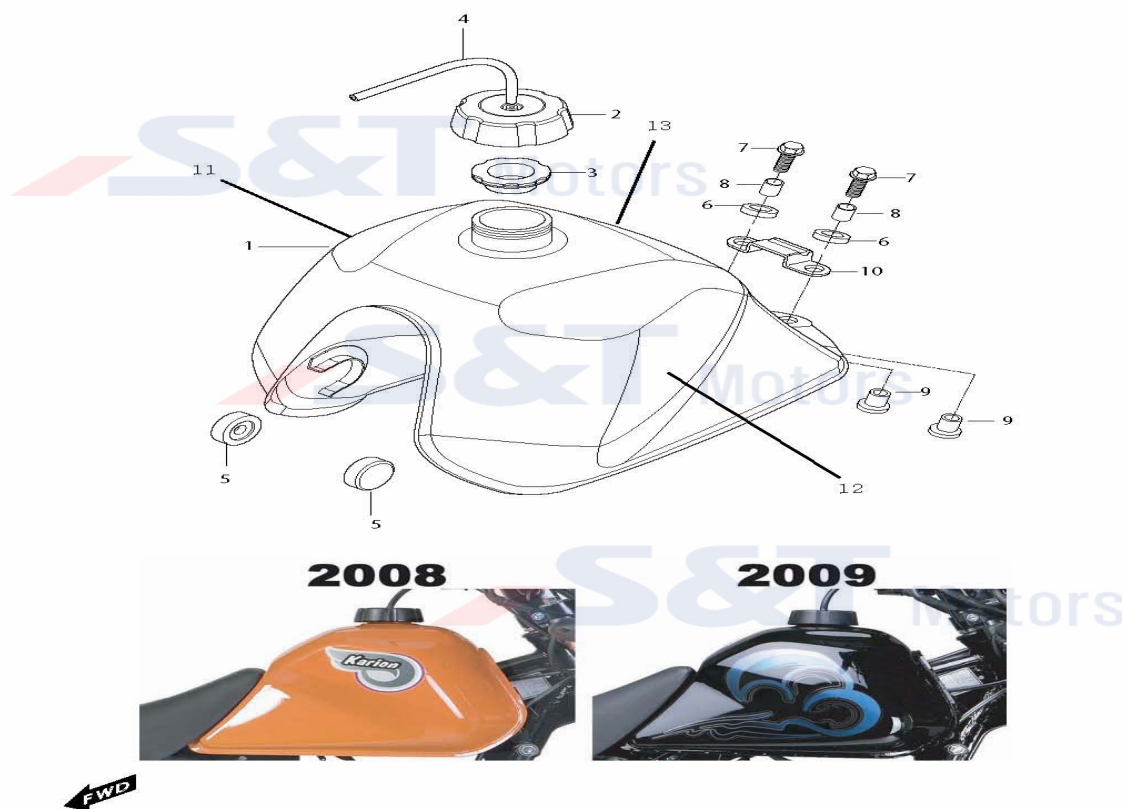


FIG.31



SEQ	PART CODE	PART NAME	U/S	REMARK
1	44300HG5104	COCK ASS'Y,FUEL (GV)	1	
2	09168-06010	GASKET FUEL LEVEL GAUGE (GA)	2	
3	09128-06005	BOLT,FUEL COCK	2	
4	44197HB1101	HOSE FUEL OUTLET NO2	1	
4-1	44197HB1101	HOSE FUEL OUTLET NO2	1	
5	09401-09101	CILP,OIL HOSE NO1	1	

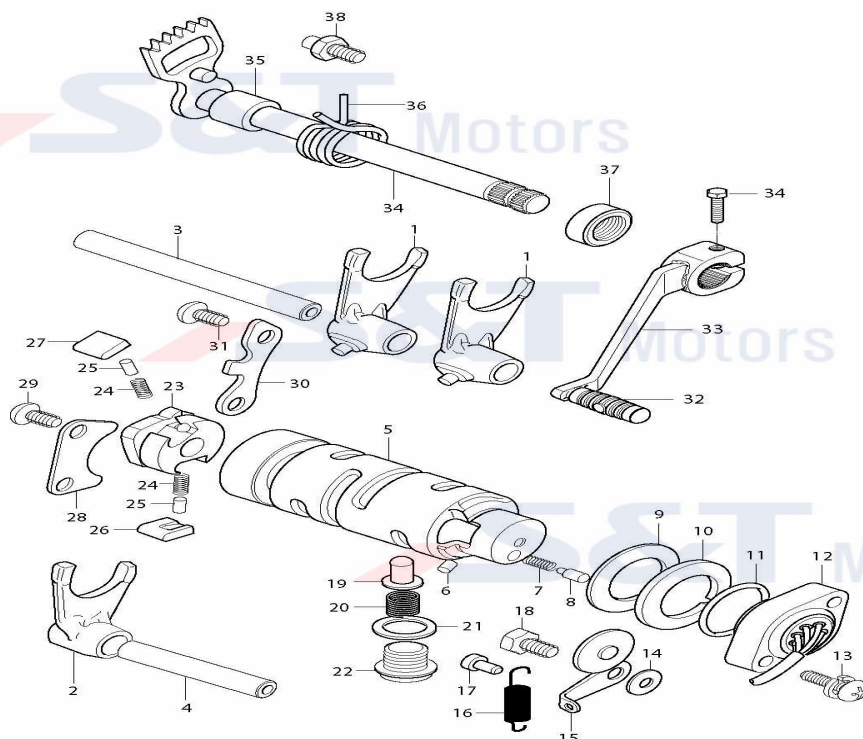
FIG.30



SEQ	PART CODE	PART NAME	U/S	REMARK
1	44110HM5401CLO	FUEL TANK COMP (RT125D)	1	LIGHT ORANGE
1-1	44110HM5401CVB	FUEL TANK COMP (RT125D)	1	SKY BLUE
1-2	44110HM5401CBK	FUEL TANK COMP (RT125D)	1	BLACK
1-3	44110HM5401CWP	FUEL TANK COMP (RT125D)	1	WHITE
2	44210HG5801	CAP,FUEL TANK FILTER (RT125)	1	
3	44248-05210	GASKET,F/CAP	1	
4	09343-05052	HOSE,FUEL	1	
5	09329-10007	CUSHION	2	
6	09320-14013	CUSHION,TANK LOW	2	
7	09116H06084	BOLT,FUEL TANK REAR CUSHION(GV	2	
8	09180-06162	SPACER,FUEL TANK REAR	2	
9	09320-10020	CUSHION,TANK UPPER	2	
10	45119HM5400	PLT,SEAT FRONT HOOK (RT125)	1	
11&12-1	68114HR7821125	TAPE, FUEL TANK (RT)	2	MY15, BK
11&12-2	68114HR78216B5	TAPE, FUEL TANK (RT)	2	MY15, WP
11&12-3	68114HR7801125	TAPE, FUEL TANK (KARION)	2	MY15, BK
11&12-1	68114HR78016B5	TAPE, FUEL TANK (KARION)	2	MY15, WP

11	68114HR78000DO	TAPE,F/TANK R "KARION"(RT125D)	1
11-1	68114HR78000D1	TAPE,F/TANK R "KARION"(RT125D)	1
11-2	68114HR7820A1M	TAPE,FUEL TANK R (RT125D)	1
11-3	68114HR7820A1N	TAPE,FUEL TANK R (RT125D)	1
12	68116HR78000DO	TAPE,F/TANK L "KARION"(RT125D)	1
12-1	68116HR78000D1	TAPE,F/TANK L "KARION"(RT125D)	1
12-2	68116HR7820A1M	TAPE,FUEL TANK L (RT125D)	1
12-3	68116HR7820A1N	TAPE,FUEL TANK L (RT125D)	1
13	68319H05351PL	LABEL,CAUTION□□GT/GV/RT/RX	1
14	44214HM5400	CUSHION,FUEL TANK INNER BODY 1	1
15	44215HM5400	CUSH,FUEL TANK INNER BODY NO.2	1
16	44216HM5400	CUSHION,FUEL TANK INNER BODY 3	1

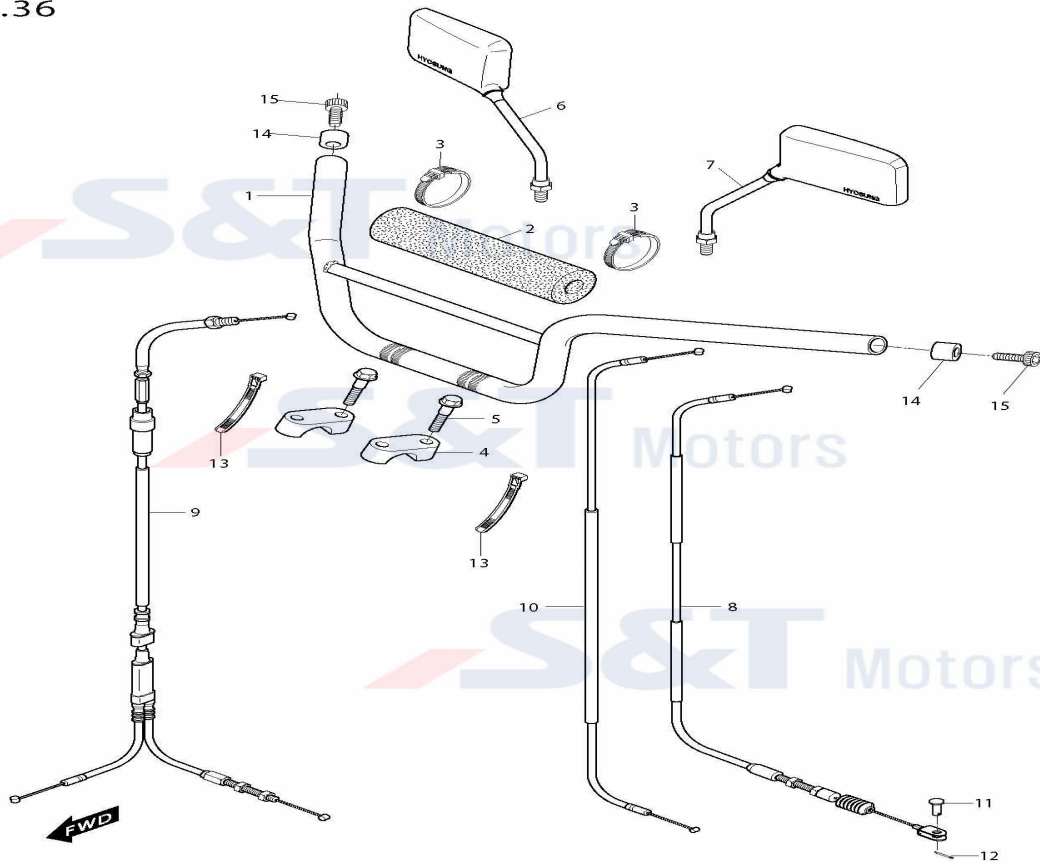
FIG 16



SEQ	PART CODE	PART NAME	U/S	REMARK
0	25310S05200HPA	CAM GEAR SHIFT ASS'Y(GA,GD,TN)	1	
1	25211-05200	FORK,GEAR SHIFT NO1(TN,RG,GS)	2	
2	25231-05201	FORK,GEAR SHIFT NO3(TN,RG,GS)	1	
3	25411-05201	SHAFT GEAR SHIFT FORK NO1	1	
4	25421-35403	SHAFT SHIFT FORK (GV250N)	1	
5	25310-05300	CAM,GEAR SHIFT	1	
6	04221-04069	PIN,GEAR SHAFT CAM	1	
7	09440-04010	SPRING,GEAR SWITCH	1	
8	09209-05011	CONTACT,GEAR S SWITCH	1	
9	08211-25401	WASHER,GEAR SHIFT CAM	1	
10	25381-45400	PLATE,GEAR SHIFT CAM STOPPER	1	
11	09280-26007	O-RING GEAR SHIFT SWITCH (GD)	1	
12	37720HM5402	SWITCH ASS'Y,GEAR SHIFT(RT125)	1	
13	02112-95208	SCREW	2	
14	08211-06141	WASHER,GEAR SHIFT CAM	1	
15	25350-44A00	STOPPER GEAR SHIFT CAM(GD,GA-F)	1	
16	09443-08044	SPRING GEAR SHIF CAM STOP	1	
17	09223-04001	HOOK,GEAR SHIFT CAM	1	

18	09111-06019	BOLT,GEAR SHIFT CAM STOP	1
19	25351-30010	STOPPER,GEAR SHIFT CAM N.	1
20	09440-11016	SPRING GEAR SHIFT CAM STOP	1
21	09168H14003	GASKET,OIL CHECK PLUG (SB)	1
22	09247-14026	PLUG,BOLT	1
23	25322-31301	GEAR,SHIFT CAM DRVN(TN,RG,GS)	1
24	09440-04003	SPRING,GEAR SHIFT PLATE	2
25	09261-05003	PIN,GEAR SHIFT	2
26	25323-34201	PAWL,GEAR SHIFT NO1(TN,RG,GS)	1
27	25324-34201	PAWL,GEAR SHIFT NO2(TN,RG,GS)	1
28	25331-30000	LIFTER,GEAR SHIFT (TN,RG,GS)	1
29	02122-06128	SCREW,OL GR SH	2
30	25341-05200	GUIDE,GEAR SHIFT CAM	1
31	02122-06128	SCREW,OL GR SH	2
32	25652HG5800	RUBBER,GEAR SHIFT (RX)	1
33	25600HG5802	LEVER ASSY,GEAR SHIFT CAM (RX)	1
34	25510-05400	SHAFT SET,GEAR SHIFT (TN,RG)	1
35	09180-12068	SPACER,SHAFT GEAR SHTG	1
36	09444-26013	SPRING	1
37	09285-12002	OIL SEAL,GEAR SHIFT (GV250)	1
38	25671-01000	STOPPER,GR SHIFT	1

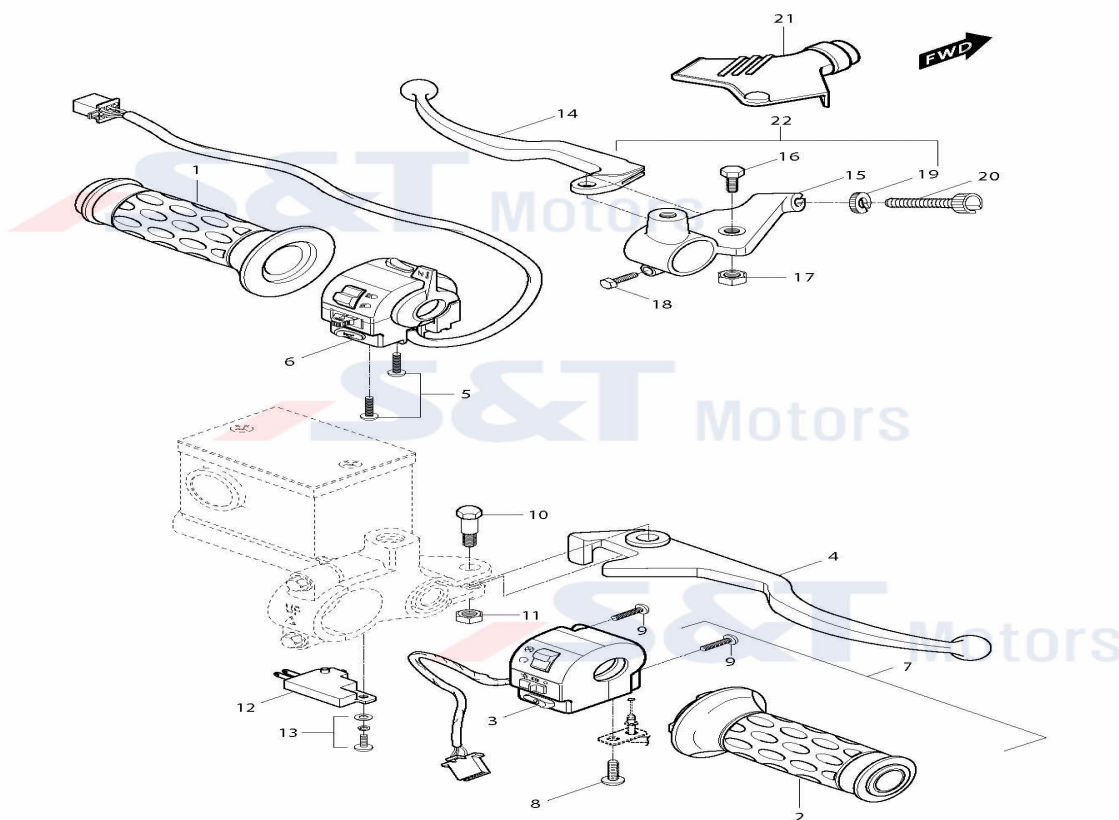
FIG.36



SEQ	PART CODE	PART NAME	U/S	REMARK
1	56110HG5856PAM	HANDLE BAR (RX125	1	
2	56172HG5800HAS	PAD CROSSBAR (RX)	1	
3	09407-18401	CLAMP,WIRING HARNESS	2	
4	56211-272A0	CLAMP,HANDLE HOLDER	2	
5	01517-08355	BOLT,HANDLE BAR HOLDER (RX)	4	
6	56500HM5450	MIRROR ASS'Y,REAR VIEW R(GT125	1	
7	56600HM5450	MIRROR ASS'Y,REAR VIEW L(GT125	1	
7-1	56501HM5450	MIRROR SET□□□ (RT125)	1	
8	58200HR7900	CABLE ASS'Y,CLUTCH (RX125D)	1	
9	58300HM5402	CABLE ASS'Y,THROTTLE (RT125)	1	
10	58410HM5402	CABLE COMP,STARTER (RT125)	1	
11	09200-06004	PIN,CLUTCH	1	
12	04111-20158	COTTER PIN	1	
13	09407-14403	CLAMP,STRNINER(125MM) (EZ)	2	
14	56271HP8900	BALANCER,HANDLE BAR (TE450)	2	
14-1	56271HF4501PLT	BALANCER HANDLE BAR (GPS)	2	
15	07110-08258	BOLT,FRAME JOINT	2	



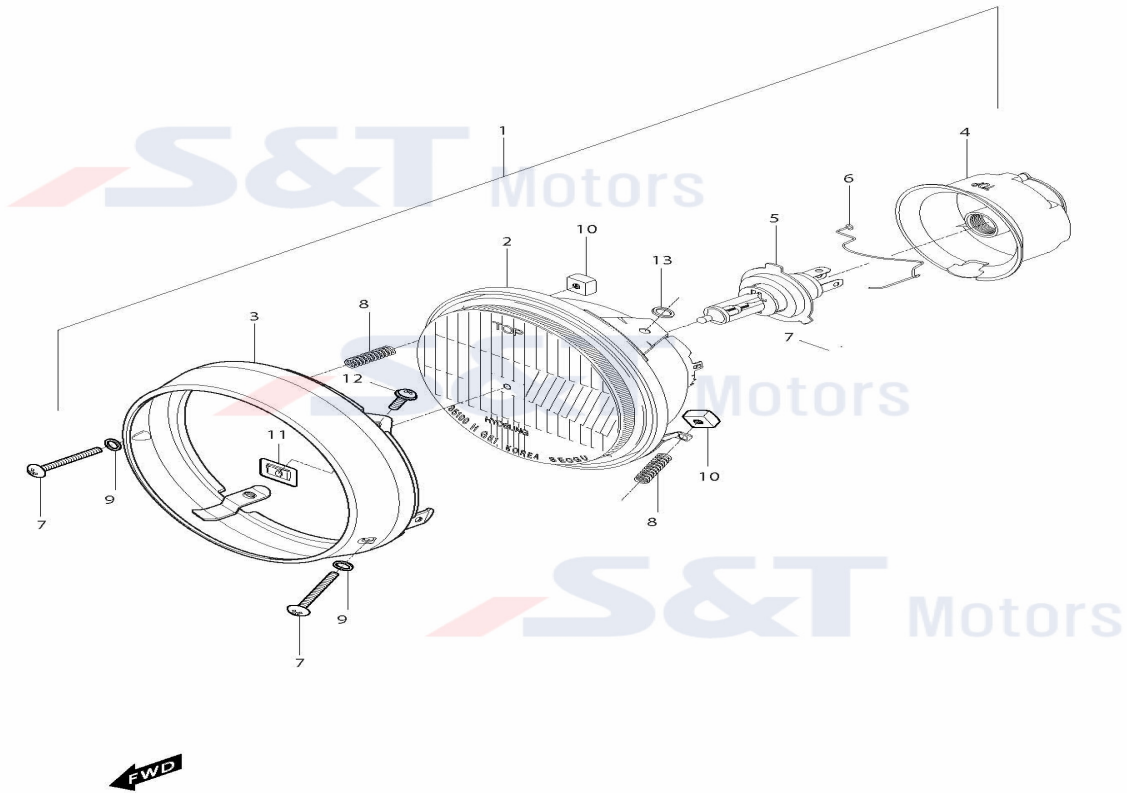
FIG.37



SEQ	PART CODE	PART NAME	U/S	REMARK
1	57211HG5800	GRIP, LH (RX)	1	
2	57110HG5803	GRIP COMP,THROTTLE (RX)	1	
3	37200HM5401	SWITCH ASS'Y,HANDLE R (RT125)	1	
4	57421HN3202	BRAKE LEVER (GT250)	1	
5	02112-05455	SCREW,MAGNETO COVER (GPS12)	1	
6	37400HM5400	SWITCH ASS'Y,HANDLE L (RT125)	1	
7	08310-11068	NUT	0	
8	02112-05105	SCREW,FRONT FORK COVER	1	
9	02112-05205	SCREW,LICENSE LAMP (GT650RN)	2	cor. 02112-05208
9-1	02112-05208	SCREW,CARBURETOR INSPECTIO CAP	2	
10	57431H05D00	SCREW BRAKE LEVER PIVOT(GT250P)	1	
11	08319-21065	NUT,BRAKE LEVER	1	
12	57460-17C00	SWITCH ASS'Y STOP (AG,SB)	1	
13	02112-74108	SCREW	1	
14	57620HG5800	LEVER,CLUTCH (RX)	1	cor.; 57620HN9100
14-1	57620HM8100	LEVER CLUTCH (GT250)	1	
15	57511HG5800	HOLDER,CLUTCH LEVER (RX)	1	

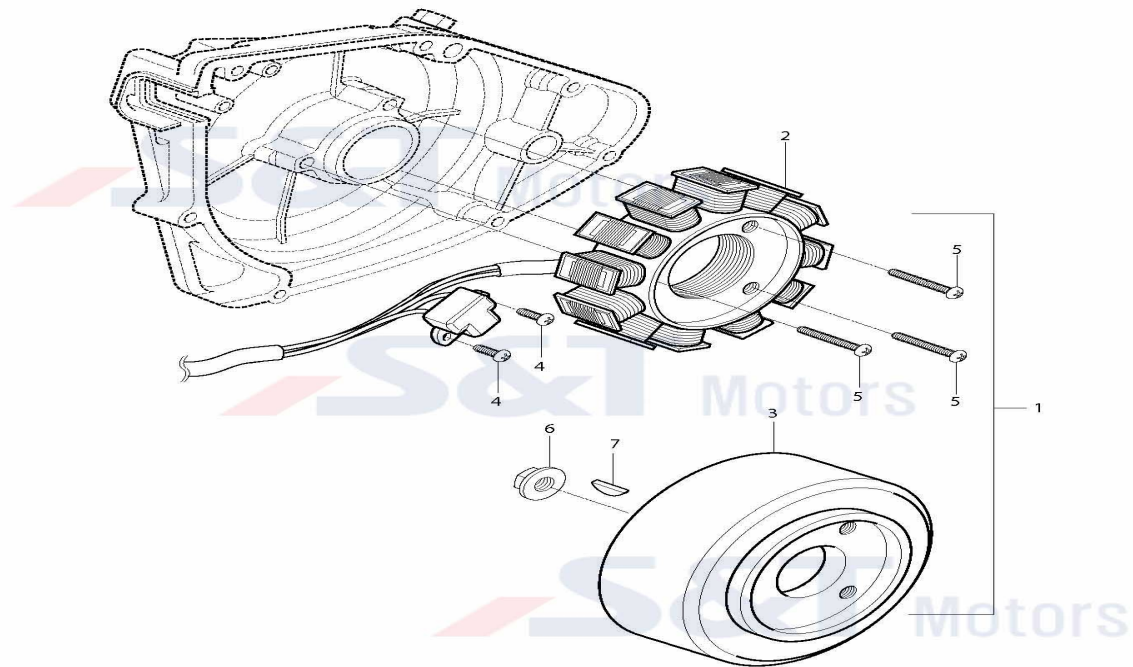
16	57431H05D00	SCREW BRAKE LEVER PIVOT(GT250P)	1
17	08319-21065	NUT,BRAKE LEVER	1
18	57451HG5800	BOLT,CLUTCH LEVER HOLDER(RX125)	1
19	57442H93B00	LOCK NUT	1
20	57441H93B00	WIRE ADJUSTER (GA)	1
21	57661HN9100	COVER,REAR BRAKE LEVER (SF50R)	1
22	57500HG5801	LEVER ASS'Y,CLUTCH (RX)	1

FIG.22



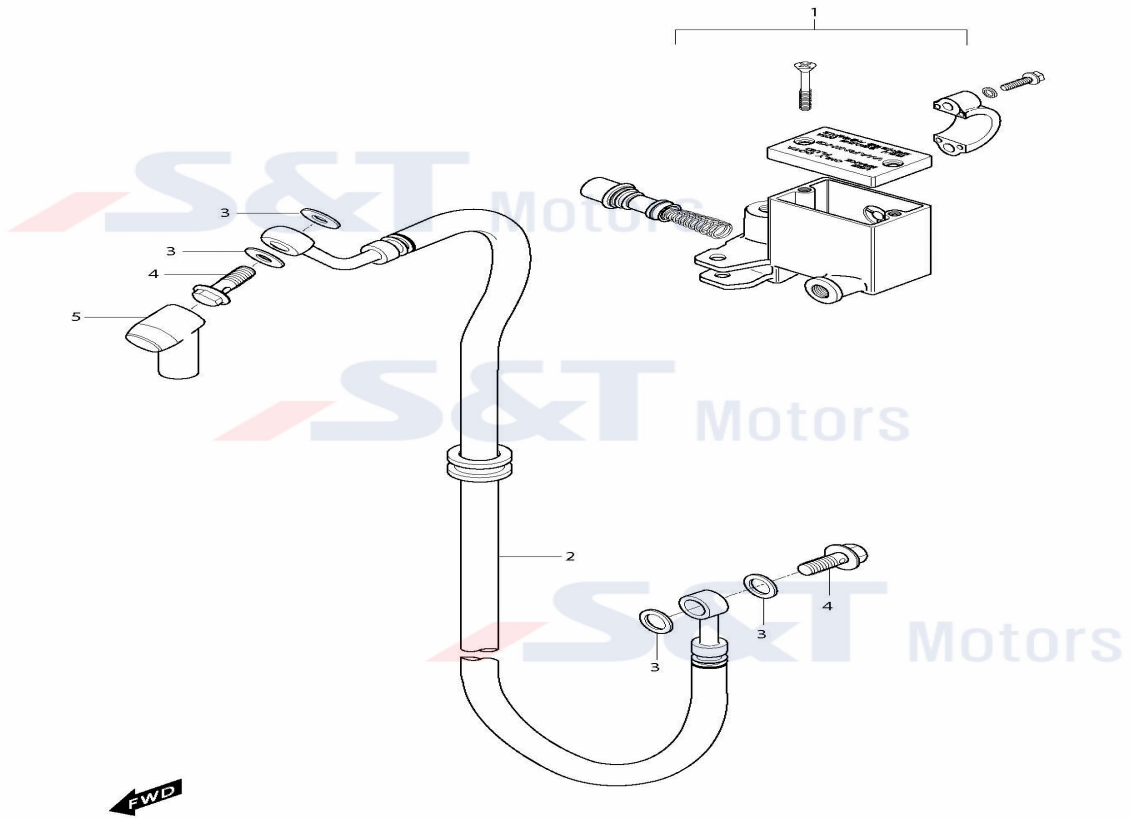
SEQ	PART CODE	PART NAME	U/S	REMARK
1	35100HM2900	HEAD LAMP ASSY (MS2-50)	1	
1-1	35100HM8162	HEAD LAMP ASS'Y (GV250)	1	
2	35120HG5100	REFLECTOR COMP (GV125)	1	
3	35111HG5100	RIM HEAD LAMP (GV)	1 N/A	
4	35173H93B00	COVER,HEAD LAMP	1	
5	09471-12100	BULB HEAD LAMP (GS-FG01)	1	
6	35175H93B00	SPRING,BULB SOCKET (GT250)	1	
7	35151HG5800	SCREW,HEAD LAMP AIMING (RX)	2	
8	35154-48510	SPRING,HEAD LAMP	2	
9	35128H93B00	WASHER,AMMING (GV125)	2	
10	35152-48510	NUT,HEAD LAMP	2	
11	35135-12610	NUT,HEAD LAMP	1	
12	02112-05088	SCREW,MAGNET INSPECTION	2	
13	35136HG5800	WASHER,AIMMING (GV125)	2	

FIG 18



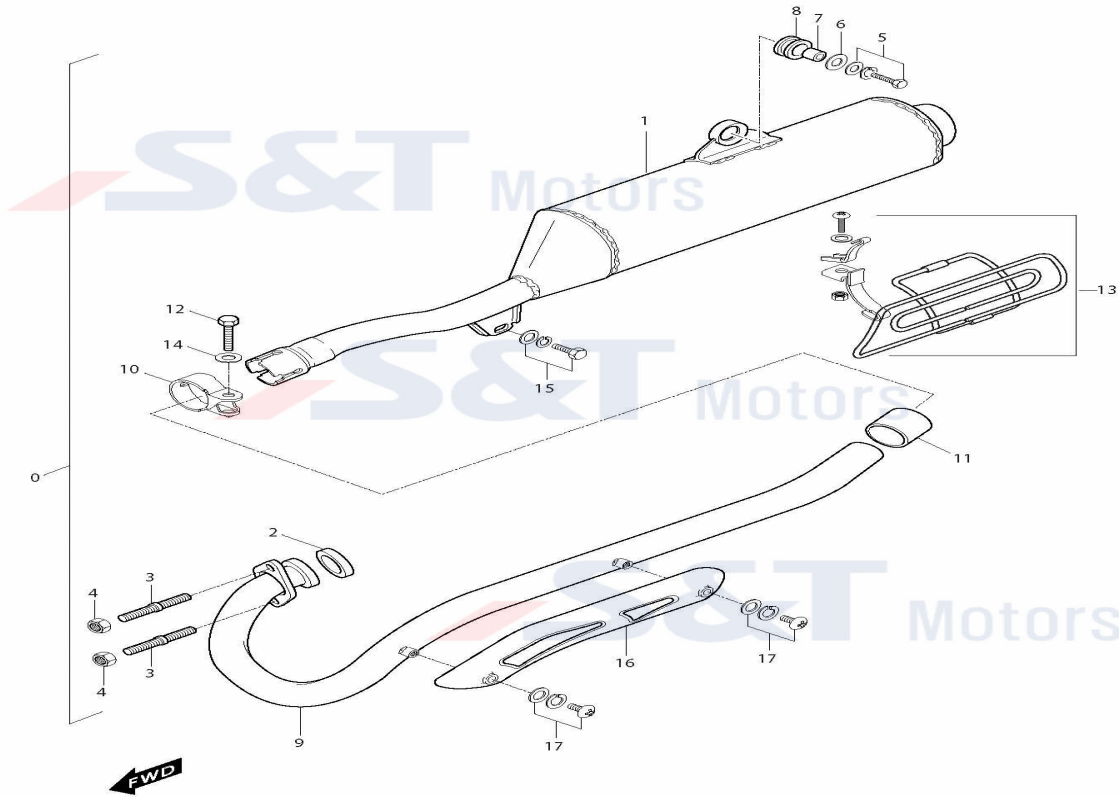
SEQ	PART CODE	PART NAME	U/S	REMARK
1	32100HR7801	MAGNETO ASS'Y (RT125D)	1	
4	02112-05128	SCREW,GEAR SHIFT SWITCH	2	
5	02112-05258	SCREW,ENGINE SPROCKET COVER	3	
6	08316-26108	NUT,MAGNET FLY WHEEL (SD)	1	
7	08341-31039	KEY,PRIMARY GEAR MAG	1	

FIG.39



SEQ	PART CODE	PART NAME	U/S	REMARK
1	59600HM8182	CYL ASS'Y,FRONT MASTER (GT)	1	
2	59480HM5402	HOSE COMP,FRONT BRAKE (RT125)	1	
3	09161-10009	WASHER,BRAKE FLUID (FX)	4	
4	09360-10039	BOLT BRAKE FLUID (AG)	2	
5	59711H49002	BOOT,MASTER CYLINDER (TN,GA,GD)	1	

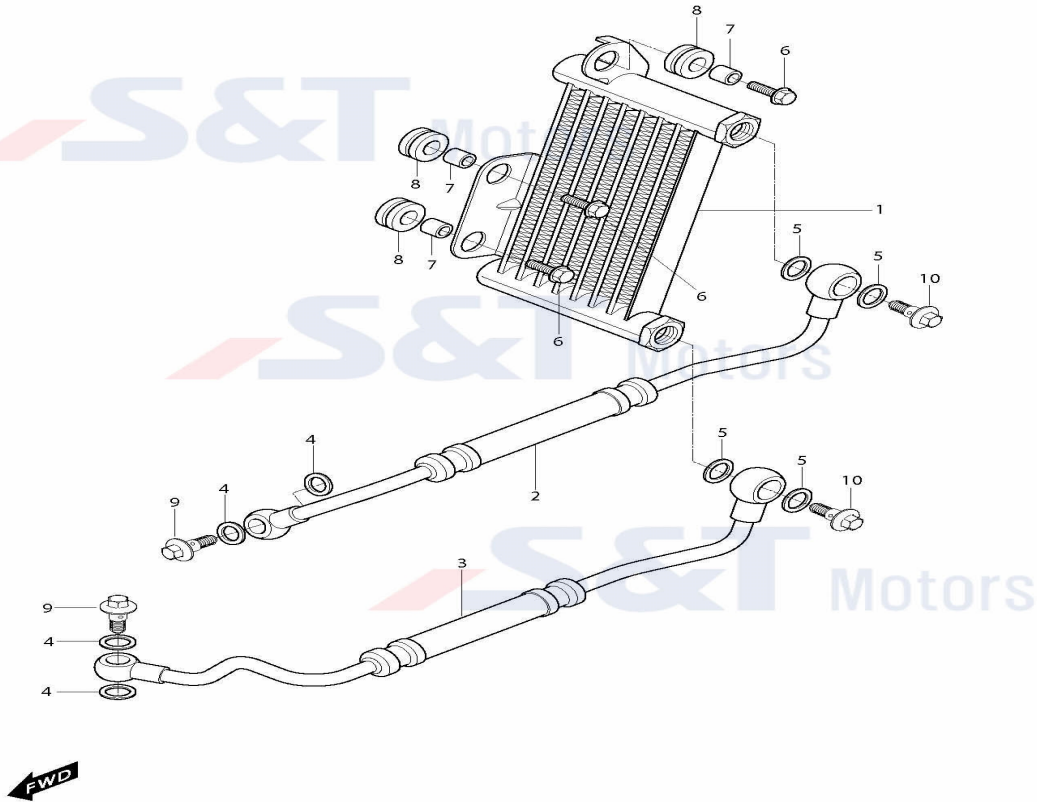
FIG.12



SEQ	PART CODE	PART NAME	U/S	REMARK
0	14310HR7800HPA	MUFFLER ASSEMBLY (RT125D)	1	
1	14310HR7800PAM	BODY COMP,MUFFLER (RT125D)	1	
2	14181-46E00	GASKET EXHAUST PIPE (GSX)	1	
3	01421-08258	STUD BOLT,EXHAUST PIPE (FX)	2	
4	08316-26086	NUT	2	
5	09118H08041	BOLT,MUFFLER 2ND	1	
6	09160-08002	WASHER,MUFFLER 2ND	1	
7	09180H08102	SPACER	1	
8	09320-12026	CUSHION,MUFFLER SUPPORT FRONT	1	
9	14150HR7800PAM	PIPE COMP,EXHAUST (RT125D)	1	
10	14770HG5803PAM	CONNECTOR COMP,EXHAUST PIPE	1	=17770HG5802PAM
11	14773HG5800	GASKET,CONNECTOR EXHAUST PI(RX	1	
12	01517-08468	BOLT E/G M.T.G UPPER (GV650)	1	
13	14760HM5401	PROTECTOR MUFFLER BODY (RT125)	1	
14	08322-21088	WASHER,WHEEL	1	
15	01187-08168	BOLT,FRONT FOOTREST	1	
16	14186HG5801PAM	COVER,EXHAUST (RT125)	1	



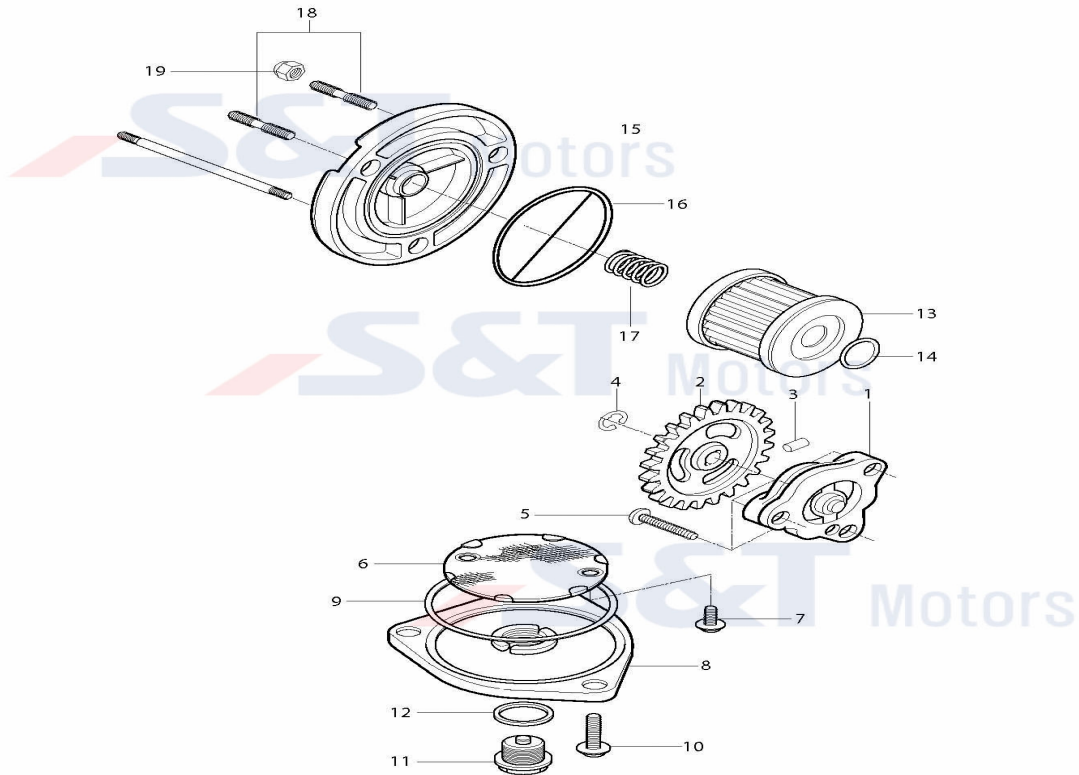
FIG 13-1



SEQ	PART CODE	PART NAME	U/S	REMARK
1	16600HR7800121	COOLER ASS'Y,OIL (RT125D)	1	
2	16460HR7800	HOSE,OIL COOLER NO.1 (RT125D)	1	
3	16470HR7800	HOSE,OIL COOLER NO.2 (RT125D)	1	
4	09161-10009	WASHER,BRAKE FLUID (FX)	4	
5	09168-14011	GASKET (GT250)	4	
6	09116-06143	BOLT OIL COOLER (GSX)	3	
7	09180-06030	SPACER	3	
8	09320-10015	CUSHION OIL COOLER (GA)	3	
9	09360H10034	BOLT UNION (GF)	2	
10	09360H12007	BOLT UNION (GA)	2	



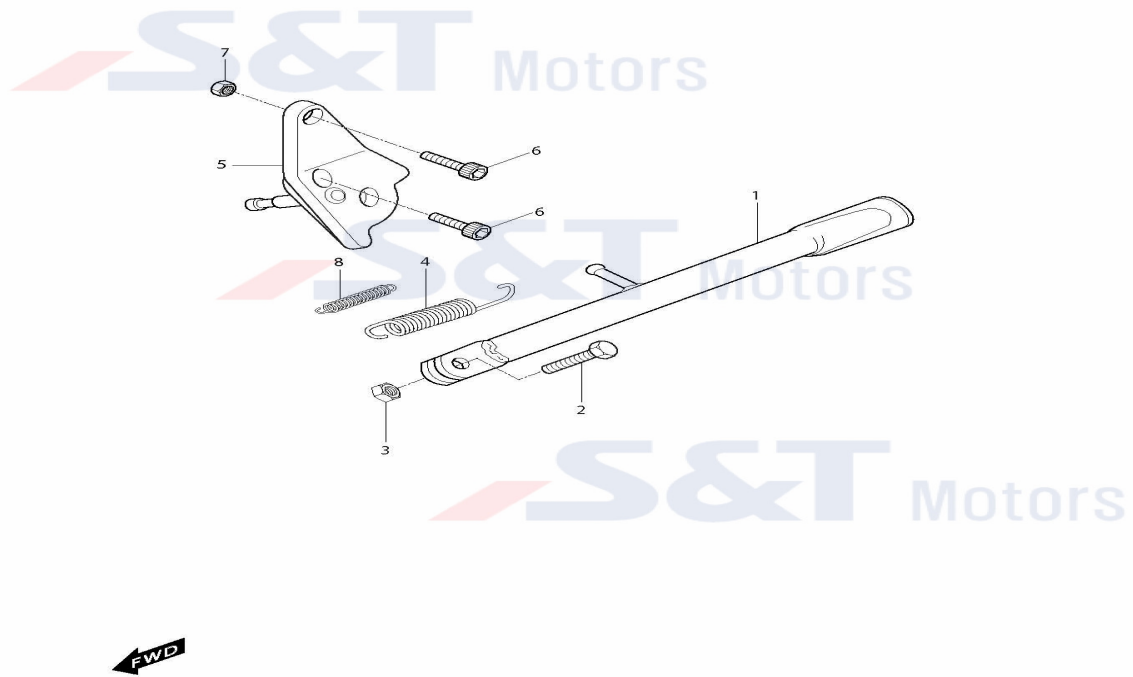
FIG 5



SEQ	PART CODE	PART NAME	U/S	REMARK
1	16400HF4600	OIL PUMP (GF)	1	
2	16331H93B00	GEAR OIL PUMP DRIVEN	1	
3	09261-02008	PIN,OIL PUMP DRIVEN	1	
4	08332-11069	CIRCLIP,OIL PUMP DRIVE GEAR	1	
5	02112-06258	SCREW (GV650)	3	
6	16520-05202	STRAINER,ENG OIL	1	
7	02112-95126	SCREW,ENGINE OIL STATER	2	
8	16523-05200	CAP,OIL STRAINER	1	
9	09280-60005	O/RING,OIL STRAINER CAP	1	
10	01547-06208	BOLT,OIL STRAINER CAP	3	
11	09247-14002	PLUG,OIL DRAIN	1	
12	09168H14003	GASKET,OIL CHECK PLUG (SB)	1	
13	16510-05240HAS	FILTER,ENGINE OIL (TN,RG,GS)	1	
14	09280-13004	O/RING,OIL FILTER	1	
15	16512HG5801121	CAP,OIL FILTER□□ (RT125)	1	*BLACK
15-1	16512-0521303P	CAP,OIL FILTER (RT125D)	1	*SILVER
16	09280-54001	O/RING,OIL FILTER CAP	1	
17	09440-18002	SPRING,OIL FILTER CAP	1	

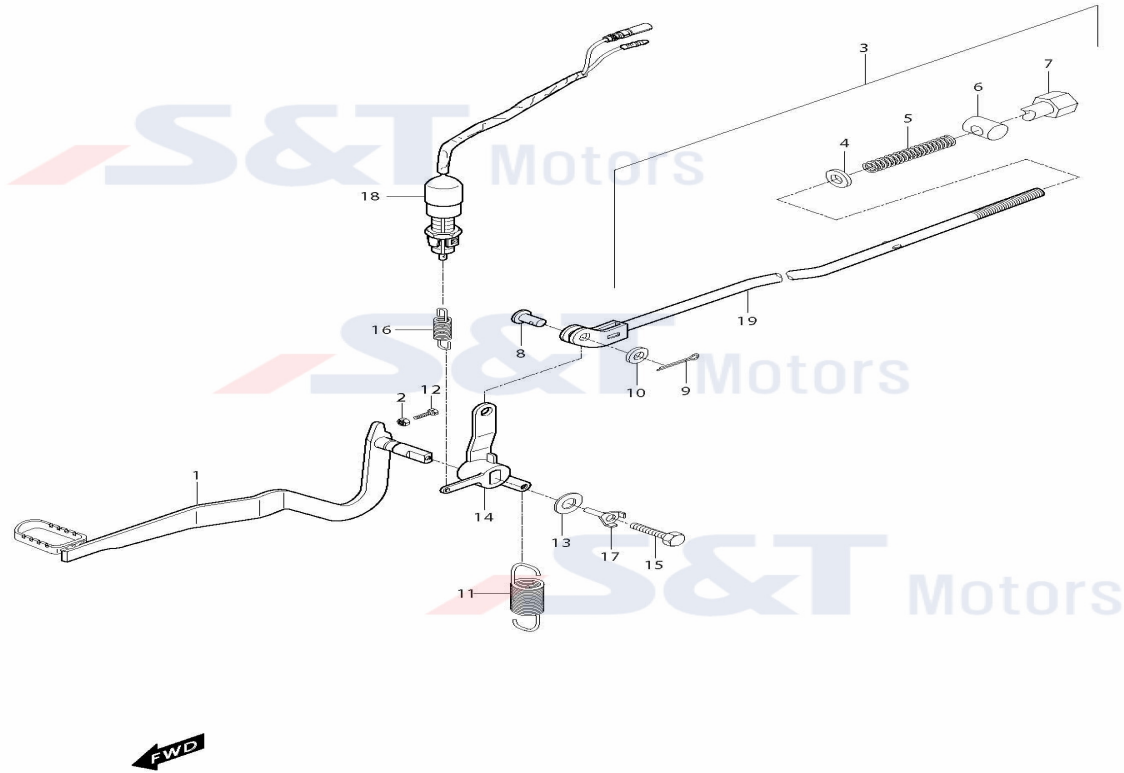
18	01421-06128	STUD BOLT,OIL FIL	2
19	08313-11068	NUT	3
20	01421-06858	STUD BOLT,OIL FIL	1

FIG.27



SEQ	PART CODE	PART NAME	U/S	REMARK
1	42310HM5450120	STAND COMP,PROP (RT125)	1	
2	09100-10031	BOLT,PROP STAND (GT250RN)	1	
3	08310-11107	NULL	1	
4	09443H14037	SPRING,PROP STAND (SCOOTER	1	
5	42340HG5801PAM	BRACKET,PROP STAND (RT125)	1	
6	07110-08258	BOLT,FRAME JOINT	2	
7	08319-31088	NUT,PILLION FOOTREST	2	
8	09443-06001	SPRING,PROP STAND INN(SB-FN02)	1	

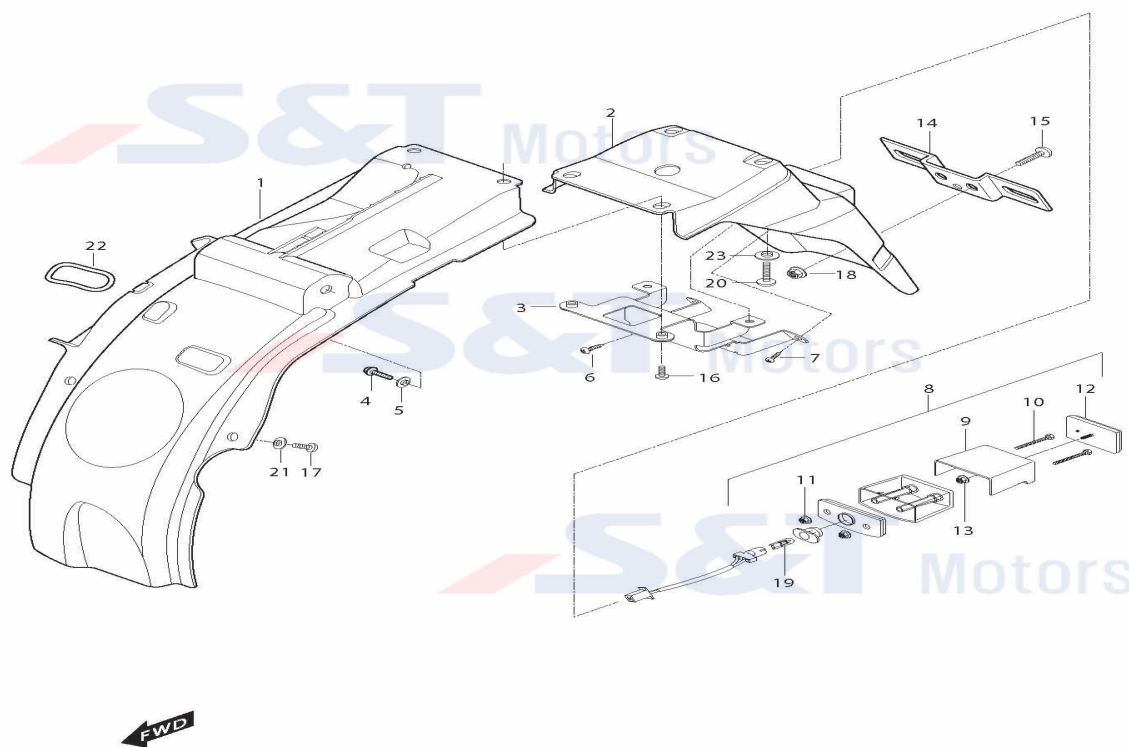
FIG.28



SEQ	PART CODE	PART NAME	U/S	REMARK
1	43100HM5401120	PEDAL,BRAKE (RT125)	1	
2	08310-11068	NUT	1	
3	43300HM5401	ROD ASS'Y,REAR BRAKE (RT125)	1	
4	08322-21068	WASHER HEAD LAMP AIMING	1	
5	09440-09013	SPRING,BRAKE ROD	1	cor. 09440-090B3
5-1	09440-090B3	SPRING,BRAKE ROD	1	
6	09209-11006	PIN,BRAKE ROD	1	
7	09150-06009	NUT,REAR BRAKE ROD	1	
8	09200-06013	PIN,REAR BRAKE ROD	1	
9	04111-20208	COTTER PIN	1	
10	08322-21068	WASHER HEAD LAMP AIMING	1	
11	09443H14025	SPRING BRAKE PEDAL RETURN (GD)	1	
12	01104-06208	BOLT,TENSIONAL ADJUSTER	1	
13	09160-06012	WASHER BRAKE PEDAL (GSX)	1	
14	43123HG5802	ARM,BRAKE ROD (RX)	1	
15	01107-06168	BOLT,RELEASE ARM (GT250RN)	1	
16	09443H06006	SPRING STOP LAMP SWITCH (GA)	1	
17	43129-35C00	WASHER LOCK (GSX-R)	1	

18	37740H93B00	SWITCH ASS'Y BRAKE LAMP (GA)	1
19	43300HM5401	ROD ASS'Y,REAR BRAKE (RT125)	1

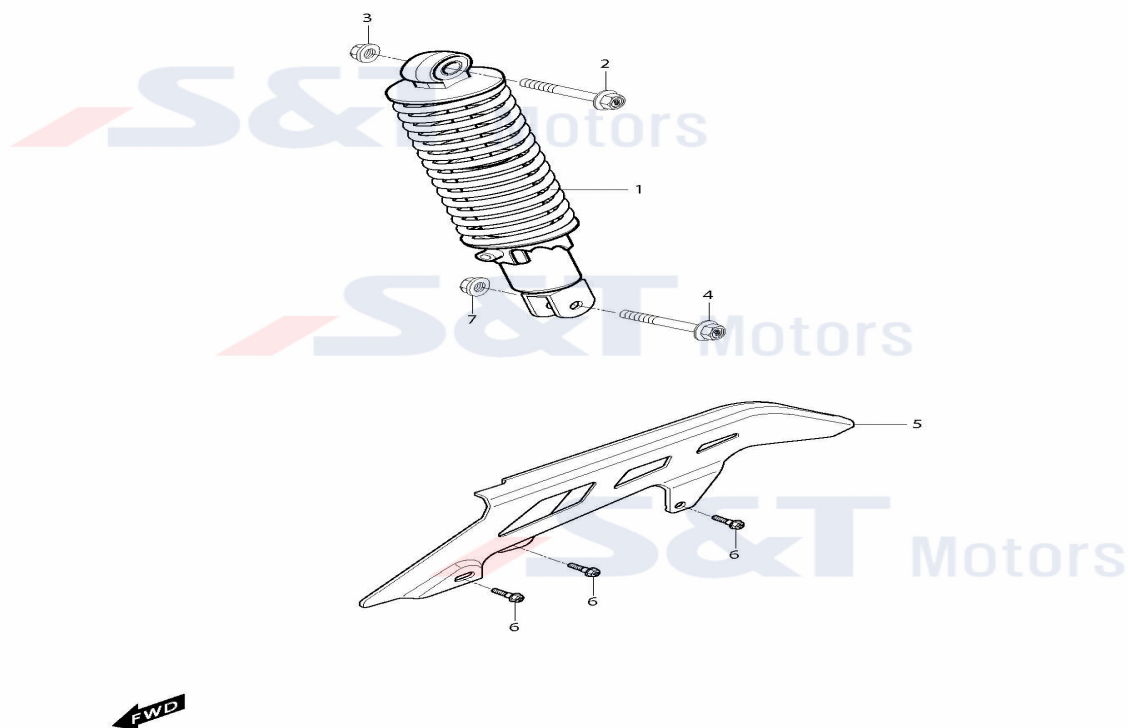
FIG.42



SEQ	PART CODE	PART NAME	U/S	REMARK
1	63112HM5402	REAR FENDER FRONT (RT125)	1	
2	63113HM5401	REAR FENDER,REAR (RT125)	2	
3	63120HM5400	BRACE COMP,REAR FENDER (RT125)	2	
4	01517-08168	BOLT REAR AXLE BRI HOUSING	6	
5	08322-11088	WASHER	1	
6	02142-06166	SCREW,BATTERY HOLDER (GV)	2	
7	02142-06126	SCREW UPPER CABLE GUIDE NO1(GV)	2	
8	35910HM5450	LAMP ASS'Y,LICENSE PLATE(RT125)	1	
9	35915HG5800	COVER,LICENSE LAMP (RX)	1	
10	01107-05605	BOLT,LICENSE LAMP (GV650)	2	
11	08316-26055	NUT,FRONT TURN SIGNAL LAMP	2	
12	35970-17303	REFLEX,REFLECTOR ASS'Y,REAR(FX)	1	
13	08316-26055	NUT,FRONT TURN SIGNAL LAMP	1	
14	35927H44430	BRACKET,LICENSE PLATE (GPS)	1	
15	02142-06165	SCREW,LEG SHIELD LOWER(GT250RN)	2	
16	02142-06206	SCREW,TAIL COVER SEAT	2	
17	02142-06166	SCREW,BATTERY HOLDER (GV)	2	

18	08316-16068	NUT (GV650)	2
19	09471-12210	BULB,POSITION LAMP(12V 5W)(GV2	1
19-1	09471H12110	BULB,POSITION LAMP (12V 5W)	1 [2011/3/4]
20	02142-06166	SCREW,BATTERY HOLDER (GV)	2
21	09169-06032	WASHER,REAR FENDER (GD)	2
22	09280-63003	BAND TOOL	1
23	09169-06032	WASHER,REAR FENDER (GD)	2

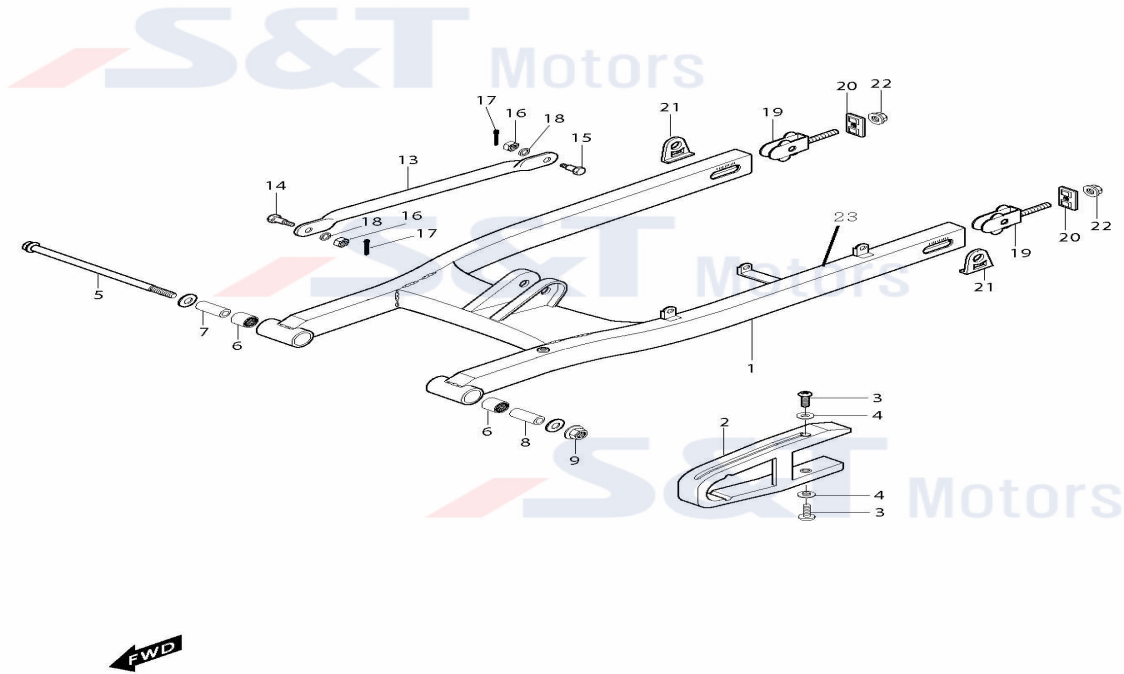
FIG.41



SEQ	PART CODE	PART NAME	U/S	REMARK
1	62100HM5404	REAR SHOCK ABSORBER ASSY(RT125)	1	
1-1	62100HM5405	REAR SHOCK ABSORBER (RT125)	1	MOD : ADJUSTER
1-2	62100H87800	REAR SHOCK ABSORBER (RT125)	1	>KYB/KM4SF42A9D1101992~(11.2012~
2	61181-02C00	BOLT,FRONT SHOCK SORBER	1	
3	08319-31108	NUT,FRONT SORBER	1	
4	09103H10101	BOLT,HANDLE BAR SET (EZ)	1	
5	61311HG5802	CHAIN CASE (RX125)	1	
6	09111H06066	BOLT CHAIN CASE (GD)	3	
7	08319-31108	NUT,FRONT SORBER	1	



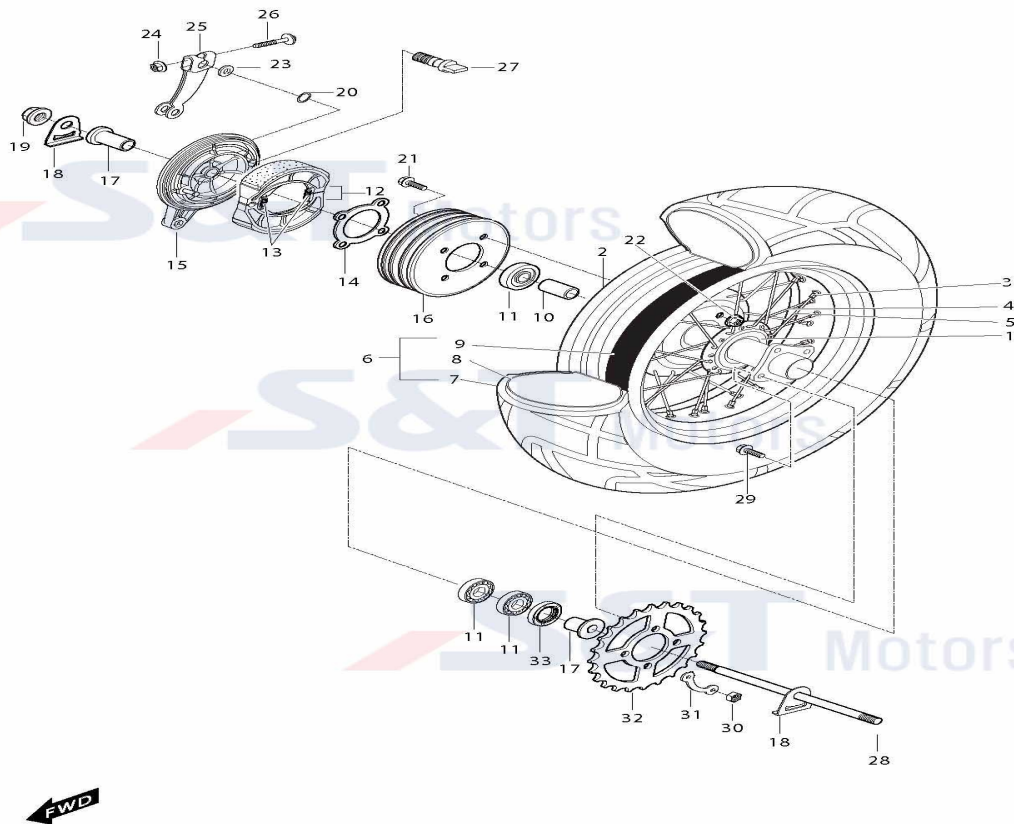
FIG.40



SEQ	PART CODE	PART NAME	U/S	REMARK
1	61100HM5409HPA	REAR SWINGARM ASS'Y (RT125D)	1	
2	61273HG5802	BUFFER,CHAIN TOUCH DEFENSE(RX)	1	
3	02142-06165	SCREW,LEG SHIELD LOWER(GT250RN)	2	
4	09169H06011	WASHER	2	
5	61211HM5400	SHAFT,REAR SWINGARM PIVOT(RT12)	1	
6	09263-20073	BEARING RR SWINGARM PIV (GD)	2	
7	09180H14004	SPACER,REAR SWING ARM PIVOT(RT)	1	
8	09180H14005	SPACER,REAR SWINGARM PIVOT(RT)	1	
9	09159H14008	NUT,REAR AXLE	1	
10	09283-20031	SEAL,REAR CUSHION ROD (RX)	2	
11	09263H20002	BEARING,CRANK PIN (TE,EZ)	2	
12	09180H14001	SPACER,REAR CUSH ROD (RX)	1	
13	64310HM5401	TORQUE LINK,REAR (RT125)	1	
14	09111-08012	BOLT	1	
15	09111-08013	BOLT	1	
16	09140-08008	NUT	2	

17	04111-20208	COTTER PIN	2
18	08321-31088	LOCK WASHER	2
19	61410HM5400	ADJUSTER COMP,CHAIN (RT125	2
20	61421HG5800	PLATE CHAIN ADJUSTER GUIDE(RX)	2
21	64712HM5400	WASHER,CHAIN ADJUSTER (RT125)	2
22	08319-31088	NUT,PILLION FOOTREST	2
23	68320HM5450PL	LABEL,CHAIN CASE□□ (RT125)	1

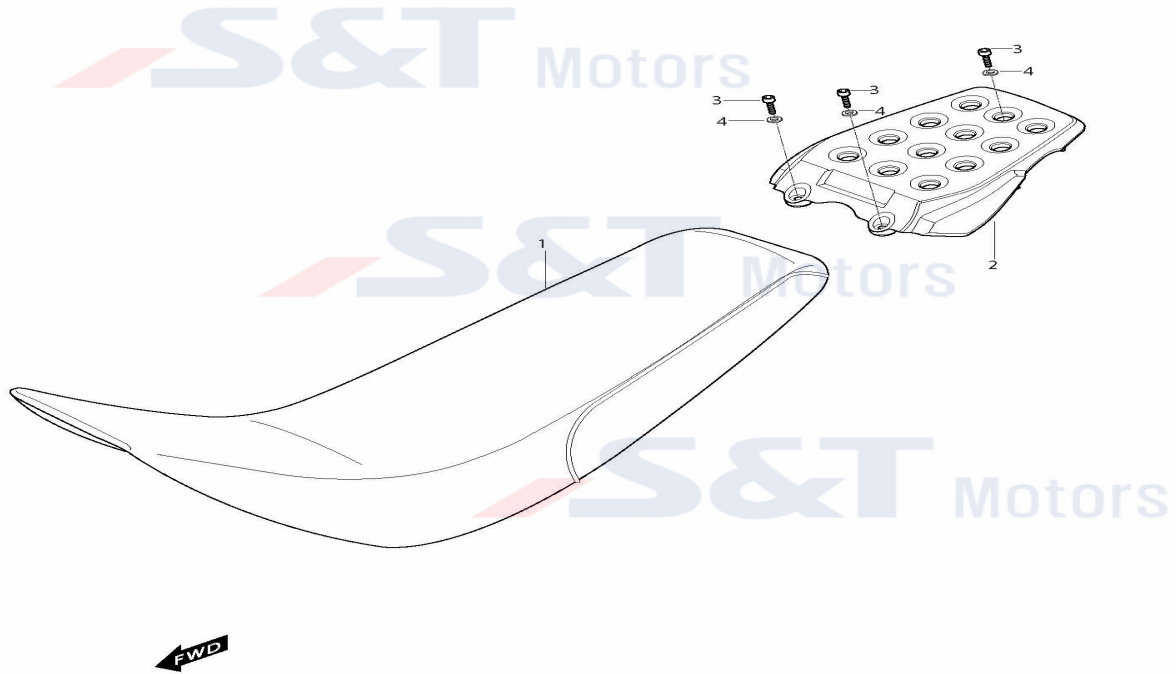
FIG.43



SEQ	PART CODE	PART NAME	U/S	REMARK
1	64110HM5402PAM	HUB COMP,REAR (RT125)	1	
2	65311HM5401	RIM,RR WHEEL(MT4.50*14 M/C)(RT)	1	
3	65325HM5400	NIPPLE,WHEEL SPOKE (RT125)	36	
4	65321HM5400	SPOKE,REAR WHEEL R INNER(RT125)	9	
4-1	65323HM5400	SPOKE,REAR WHEEL R OUTER(RT125)	9	
5	65322HM5400	SPOKE REAR WHEEL L INNER(RT125)	9	
5-1	65324HM5400	SPOKE,REAR WHEEL L OUTER(RT125)	9	
7	65100HM5400	TIRE COMP,REAR (RT125)	1	
8	65200HM5400	TUBE WHEEL INNER (RT125)	1	
9	65261HM5400	PROTECTOR,FRONT WHEEL INN (RT)	1	
10	64730HM5400	SPACER,REAR HUB BEARING (RT125)	1	
11	08133-62037	BEARING,REAR HUB R/L (RT125)	3	
12	64400H93B03	SHOE COMP,BRAKE (GV125CN)	1	=64400S93B03HAS
13	09443H10003	SPRING,REAR BRAKE SHOE (RX125)	2	
14	64621HM5402	PLATE COMP,REAR DRUM (RT125)	1	
15	64200HM5402	PANEL ASSY,REAR BRAKE (RT125)	1	

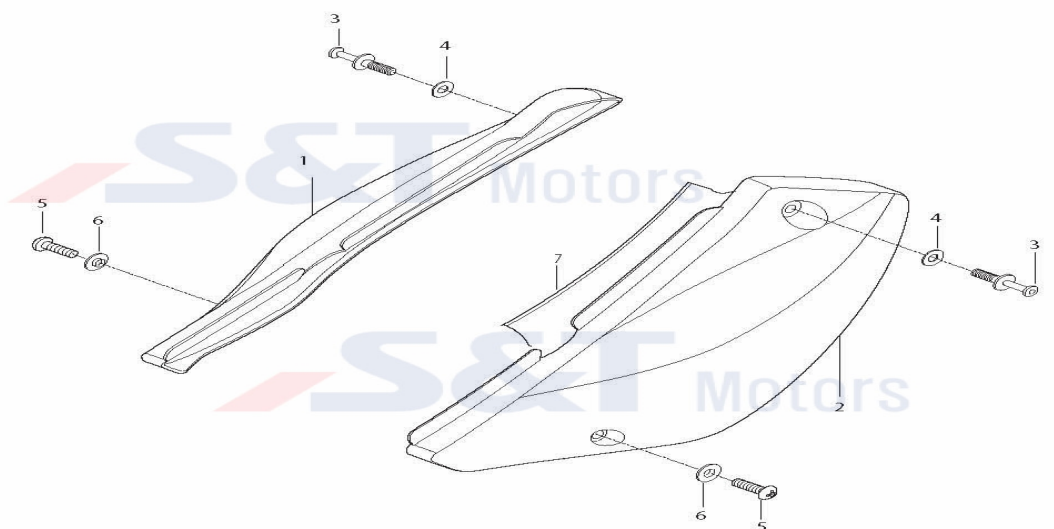
16	64610HM5403121	DRUM COMP,REAR HUB (RT125)	1
17	64751HM5400	SPACER REAR AXLE L (RT125)	1
18	64712HM5400	WASHER,CHAIN ADJUSTER (RT125)	2
19	09159H16002	NUT,REAR AXLE (GT250)	1
20	09280-14003	O/RING,STEERING SHAFT	1
21	09119H08060	BOLT (RT125)	4
22	08319-31088	NUT,PILLION FOOTREST	4
23	09160H14001	WASH RR BRAKE CAM DST SEAL(GA)	1
24	08316-16068	NUT (GV650)	1
25	64451-38210	LEVER REAR BRAKE CAM (GD)	1
26	01517-06358	BOLT,RR BRAKE CAM	1
27	54441-29306	CAM,REAR BRAKE (GS)	1
28	64711HM5400	AXLE,REAR (RT125)	1
29	09105H08060	BOLT,REAR SPROCKET (GF)	4
30	08310-11088	NUT	4
31	09169-08012	WASHER	2
32	64511HM5401	SPROCKET,REAR	1
33	09285-250A1	OIL SEAL REAR DRUM (FR)	1
34	64110HM5402HPA	WHEEL REAR+TIRE (RT125)	1
35	64110SM5402HPA	WHEEL REAR,HUB COMP (RT125)	1

FIG.32



SEQ	PART CODE	PART NAME	U/S	REMARK
1	45100HM5450L05	SEAT SET(HYOSUNG) (RT125D)	1	
1-1	45100HM5450L06	SEAT SET(HYOSUNG) (RT125D)	1	
1-2	45100HM5450L07	SEAT SET(HYOSUNG) (RT125D)	1	
1-2	45100HR7801	SEAT SET (RT125D)	1	NO LOGO
3	07110-08258	BOLT,FRAME JOINT	3	
4	08322-11088	WASHER	3	

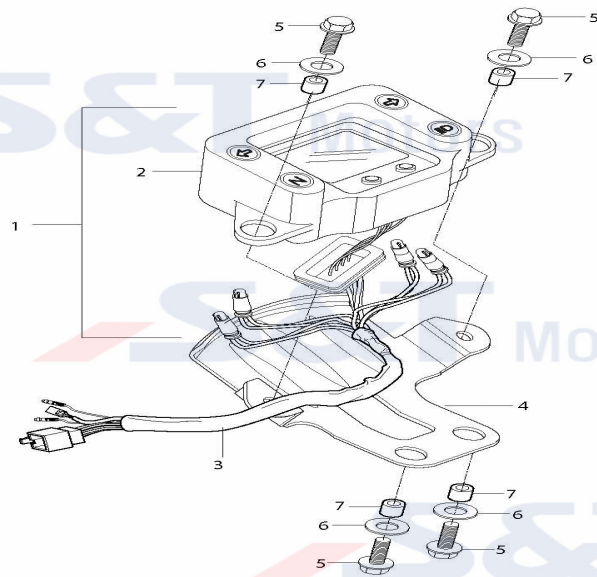
FIG.33



SEQ	PART CODE	PART NAME	U/S	REMARK
1	47111HM5401TLO	COVER,SIDE R (RT125D)	1	
1-1	47111HM5401TVB	COVER,SIDE R (RT125D)	1	
1-2	47111HM5401TBK	COVER,SIDE R (RT125D)	1	
1-3	47111HM5401CWP	COVER,SIDE R (RT125D)	1	PURE WHITE NO2
1-4	68214HR78000DO	TAPE,S/COV R "RT 125D"(RT125D)	1	
1-5	68214HR78000D2	TAPE,S/COV R "RT 125D"(RT125D)	1	
1-6	68214HR7820A2H	TAPE,SIDE COVER R (RT125D)	1	
1-7	68214HR7820A2J	TAPE,SIDE COVER R (RT125D)	1	
1-8	47111HM5401TLG	COVER,SIDE R (RT125D)	1	MY15
1-9	68214HR782103P	TAPE,SIDE COVER R (RT125D)	1	MY15
2	47211HM5401CLO	COVER,SIDE L (RT125D)	1	LIGHT ORANGE
2-1	47211HM5401TVB	COVER,SIDE L (RT125D)	1	
2-2	47211HM5401TBK	COVER,SIDE L (RT125D)	1	
2-3	47211HM5401TWP	COVER,SIDE L (RT125D)	1	
2-4	68216HR78000DO	TAPE,S/COV L "RT 125D"(RT125D)	1	
2-5	68216HR78000D2	TAPE,S/COV L "RT 125D"(RT125D)	1	
2-6	68216HR7820A2H	TAPE,SIDE COVER L (RT125D)	1	
2-7	68216HR7820A2J	TAPE,SIDE COVER L (RT125D)	1	

2-8	47211HM5401TLG	COVER,SIDE L (RT125D)	1 MY15
2-9	68216HR782103P	TAPE,SIDE COVER L (RT125D)	1 MY15
3	47113HM8101	BOLT,LUGGAGE SUPPORT (GT250)	2
3-1	47115HN9100	CAP,LUGGAGE SUPPORT BOLT(GT650)	2
4	08322-11088	WASHER	2
5	02142-06166	SCREW,BATTERY HOLDER (GV)	2
6	09169-06034	WASHER,LEG SHIELD	2
7	47239HM5400	HEAD SHIELD,SIDE COVER L(RT125	1

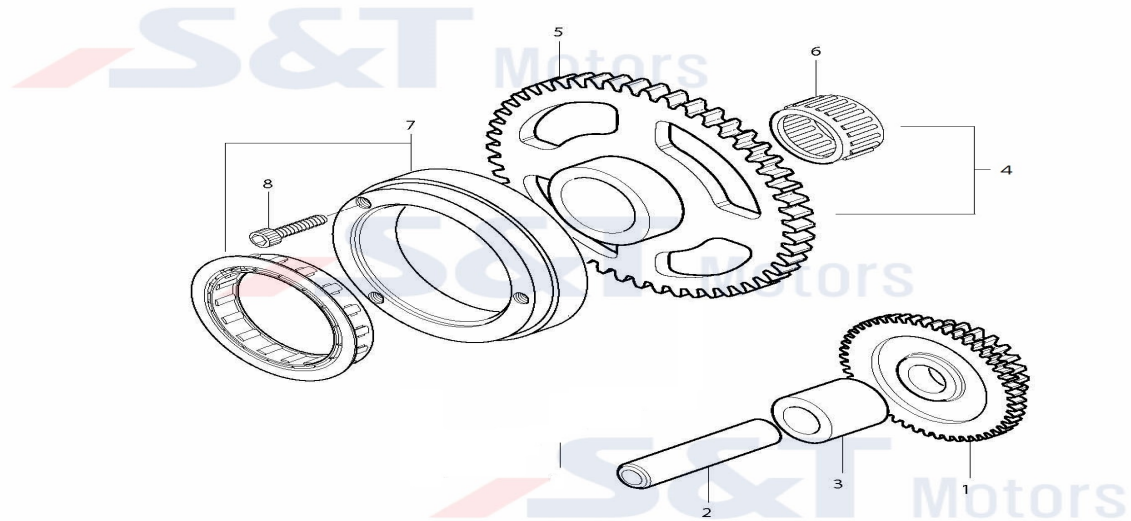
FIG.21



SEQ	PART CODE	PART NAME	U/S	REMARK
1	34100HR7800	SPEEDOMETER ASS'Y (RT125D)	1	
2	34950HR7800	BRACKET,SPEEDMETER (RT125D)	1	
3	09320-08048	CUSHION REAR COMBI (GD)	2	
4	09320H12090	CUSHION,SPEEDMETER (RT125D)	2	
5	09180-06114	SPACER BODY COWLING FITT(GSX)	2	
6	09180H06175	SPACER,SEAT TAIL COVER	2	
7	09116-06010	BOLT REAR COMBI BRACKET (GSX)	4	
8	34860HR7800	SENSOR,SPEEDMETER (RT125D)	1	

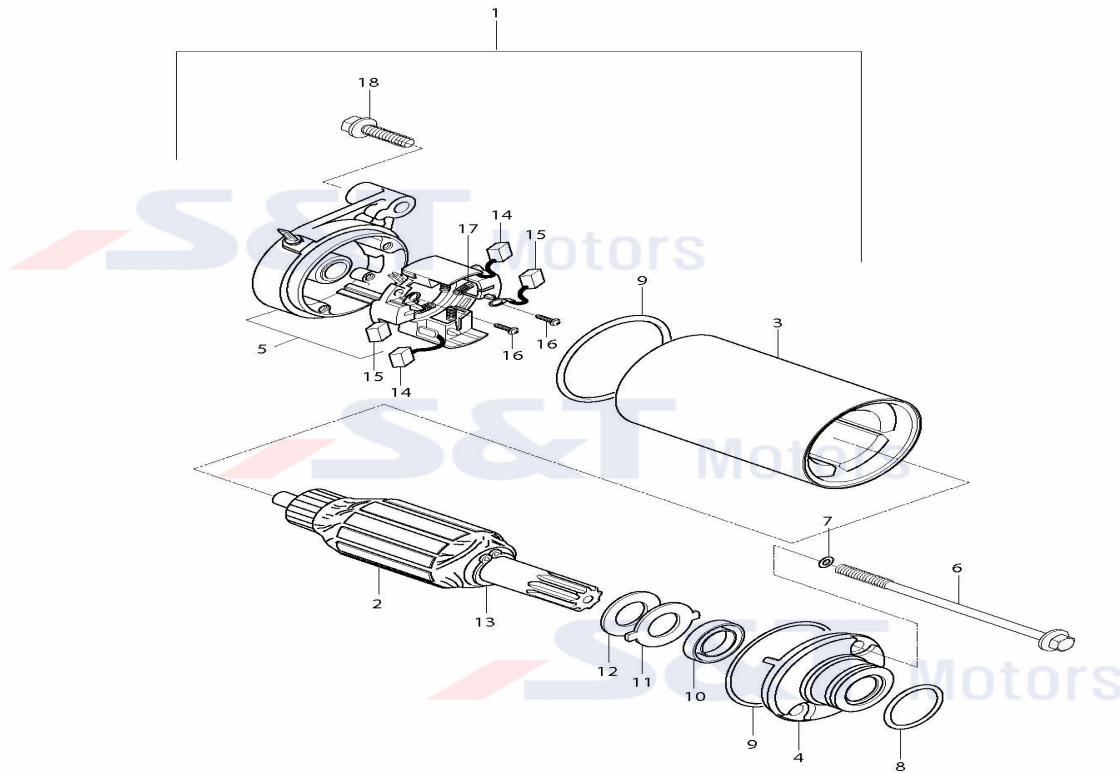


FIG 7



SEQ	PART CODE	PART NAME	U/S	REMARK
1	12611-04B00	GEAR,STARTER IDLE	1	
2	09206-13003	PIN,STARTER IDLE GEAR	1	
3	09180-13006	SPACER,STARTER IDLE GEAR	1	
4	12620H87800HPA	GEAR STARTER CLUTCH (GD)	1	=12620H87800 + 09263-22031
5	12620H87800	GEAR STARTER CLUTCH (RT125)	1	
6	09263-22031	BEARING,STARTER CLUTCH GEAR	1	
7	12614H98600	CLUTCH,STARTER ONE WAY (GT250)	1	
8	07110-08168	BOLT,STARTER CLUTCH (GD)	3	

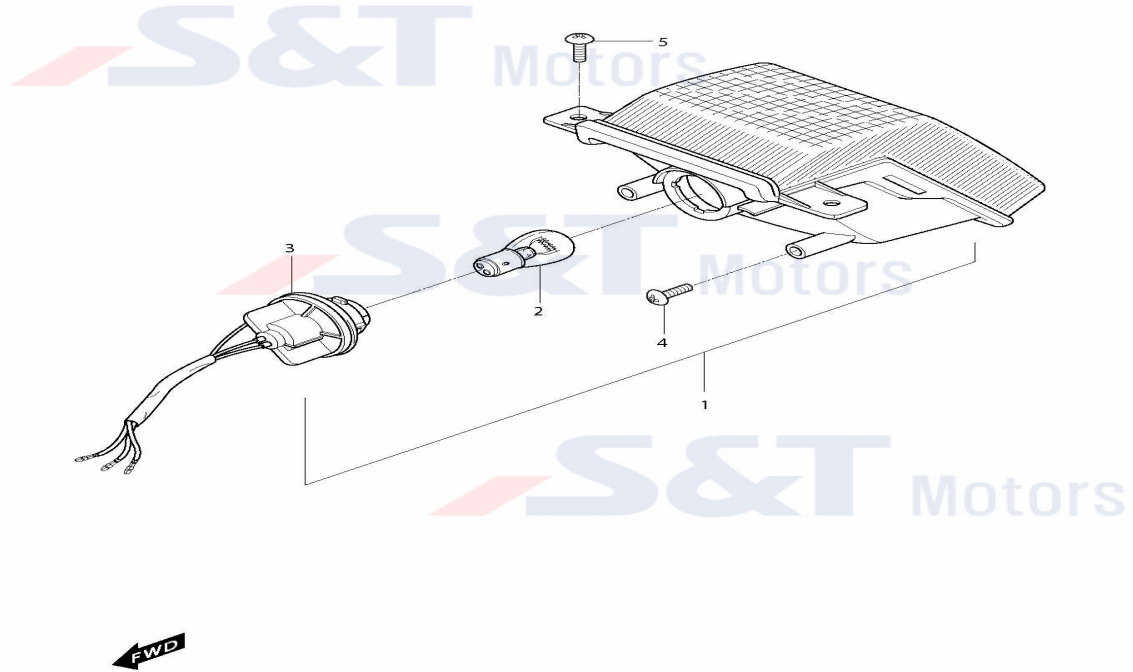
FIG 17



SEQ	PART CODE	PART NAME	U/S	REMARK
1	31100-42A01	MOTOR ASSY STARTING (RX125D)	1	
2	31310-11D10	ARMATURE ASSY,STARTER (GD)	1	
3	31100-05320	YOKE ASSY,STARTER(□□) (GA)	1	
4	31150-42A01	HOUSING ASSY,STARTER (GD)	1	
5	31175-42A01	FRAME ASSY,COMMUTATOR (GD)	1	
6	31281-32C10	BOLT,THROUGH (GD)	2	
7	31156-38300	O RING STARTING MOTOR	2	
8	09280-24003	O-RING,S/MOTOR(=>09280-24001)	1	cor. 09280-24001
8-1	09280-24001	O-RING,STARTER MOTOR	1	
9	31264-35C10	O-RING (GD)	2	
10	31153-49210	SEAL,OIL (GD)	1	
11	31361-32C00	PLATE,LOCK (GD)	1	
12	31361-38300	SHIM(A)	1	
13	31361-10200	SHIM ARMATURE	1	
14	31132-32C10	BRUSH SUB-ASSY,STARTER (GD)	2	
15	31131-32C20	BRUSH,STARTER (GD)	2	
16	31114-32C10	SCREW (GD)	2	
17	31135-32C10	SPRING,COMPRESSION COIL (GD)	4	

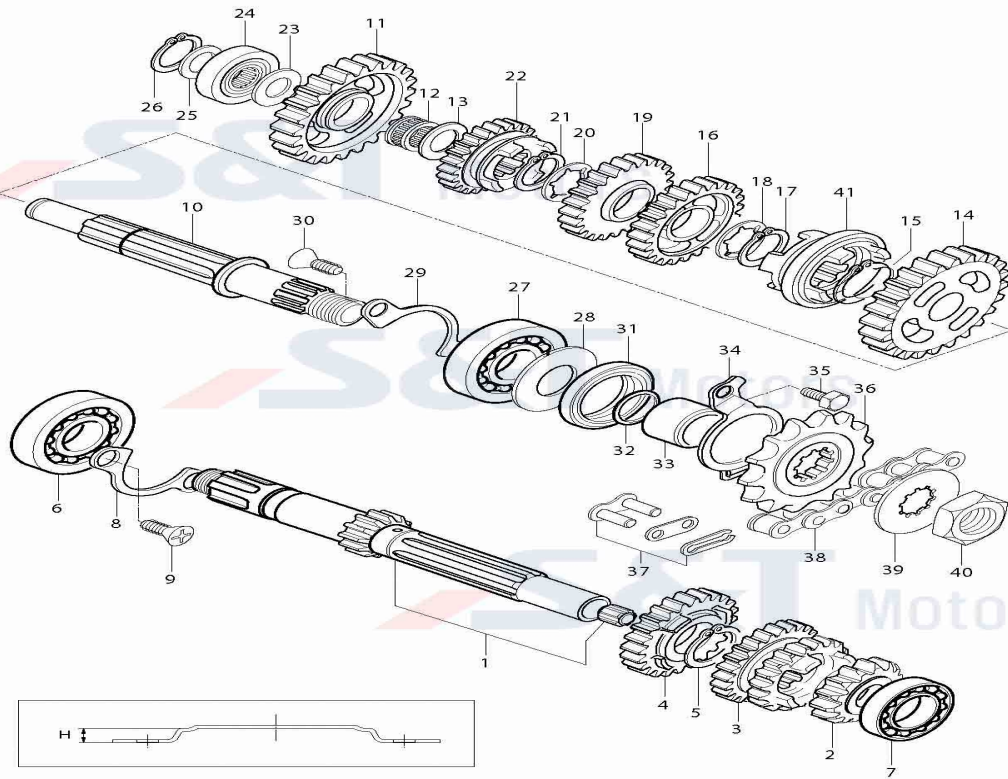


FIG.24



SEQ	PART CODE	PART NAME	U/S	REMARK
1	35710HM5450	LAMP,TAIL & STOP (RT125)	1	
2	09471-12046	BLUB,TAIL&STOP(ECE) (SF)	1	
3	35760HM5450	NULL	1	
4	03241-05206	SCREW,HANDLE COVER REAR	2	
5	02142-06165	SCREW,LEG SHIELD LOWER(GT250RN)	2	

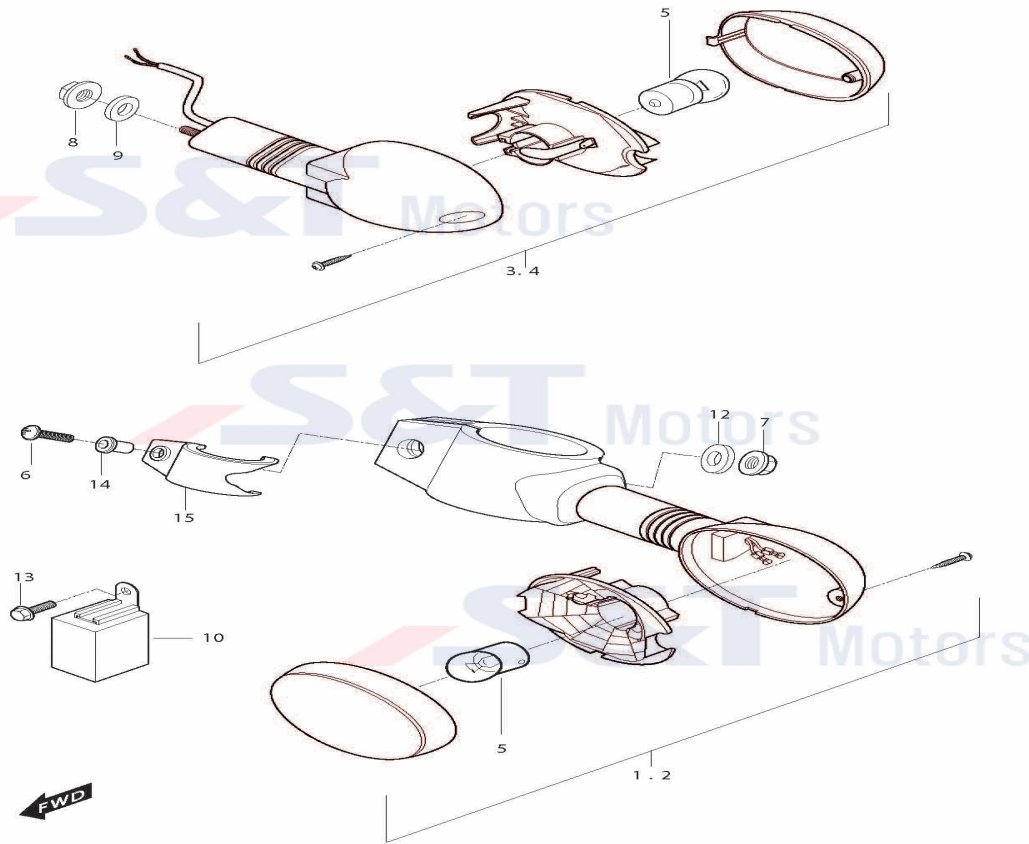
FIG 15



SEQ	PART CODE	PART NAME	U/S	REMARK
0	24200S35C00HPA	MISSION GEAR SET (GD)	1	cor. 24130S35C00+24120S35C00
0-1	24130S35C00	SHAFT DRIVE COMP (RX125D)	1	24120S35C00
0-2	24120S35C00	SHAFT COUNTER COMP (GD125R)	1	
1	24121-05211	SHAFT,COUNTER (TN,RG,GS)	1	
2	24221-29B00	GEAR,2ND DRIVE (TN,RG,GS)	1	
3	24231-29B10	GEAR,3/4 DRIVE (TN,RG,GS)	1	
4	24251-05202	GEAR,5TH DRIVE (TN,RG,GS)	1	
5	09380-20009	CIRCLIP,5TH DRIVE GEAR	1	
6	09262-20062	BEARING,CO.SH.R 6204ACM	1	
7	08123-60020	BEARING,COUNTER LH 6002DC3	1	
8	24741-05200	RETAINER,COUNTER SHAFT BG(TN,	1	
9	02122-06128	SCREW,OL GR SH	1	
10	24130SR7800	SHAFT DRIVE COMP (RT125D)	1	
10-1	24130HR7800	SHAFT COMP,DRIVE (RT125D)	1	
11	24311-29B00	GEAR,1ST DRIVEN (TN,RG,GS)	1	
12	09263H15002	BEARING,1ST DRIVEN GEAR	1	
13	08211-15251	THRUST WASHER,1ST DRIVE GEAR	1	
14	24320-29B00	GEAR COMP,2ND DRVN (TN,RG,GS)	1	

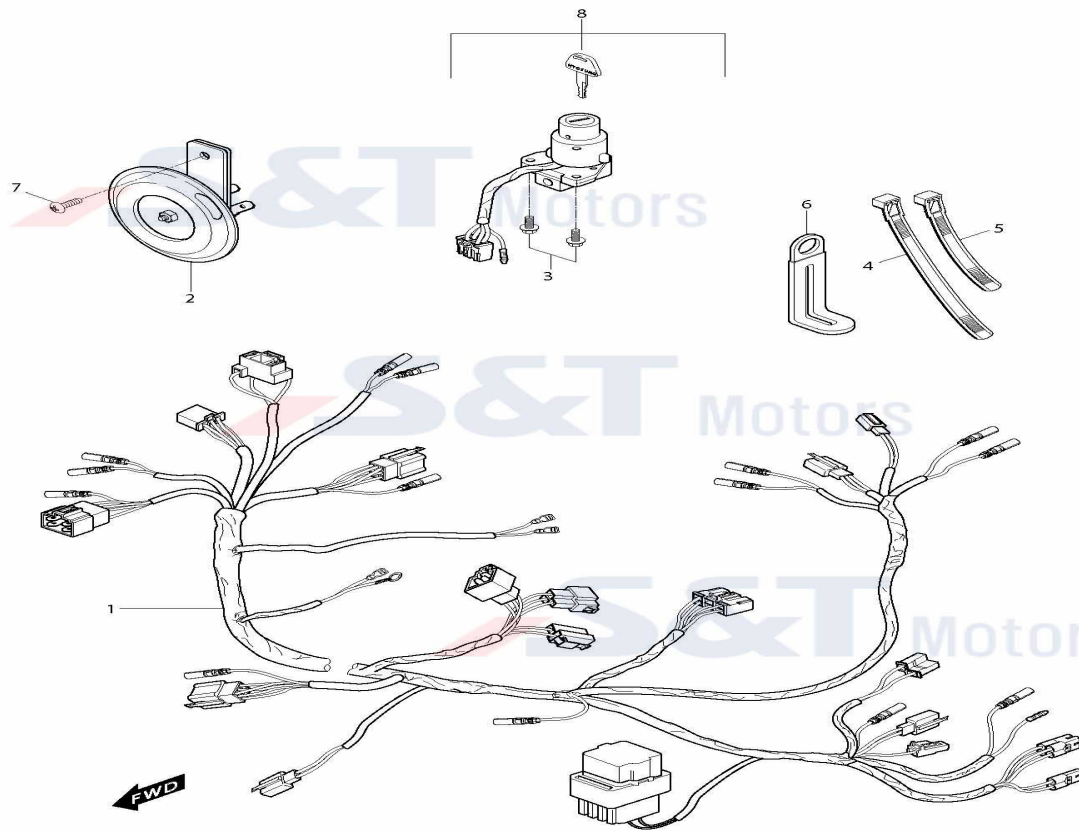
15	09380-20009	CIRCLIP,5TH DRIVE GEAR	3
16	24331-05201	GEAR,3RD DRIVEN (TN,RG,GS)	1
17	09380-20009	CIRCLIP,5TH DRIVE GEAR	1
18	09167-20011	THRUST WASHER,3RD DRIVE GEAR	1
19	24341-29B10	GEAR,4TH DRIVEN (TN,RG,GS)	1
20	09167-20011	THRUST WASHER,3RD DRIVE GEAR	1
21	09380-20009	CIRCLIP,5TH DRIVE GEAR	1
22	24351-05201	GEAR,5TH DRIVEN (TN,RG,GS)	1
23	08211-15251	THRUST WASHER,1ST DRIVE GEAR	1
24	09263H15C03	NULL	1
25	08211-15201	THRUST WASHER,KICK START IDL	1
26	08331-31159	CIRCLIP,KICK IDLE	1
27	08113-62040	BEARING,COUNTER DRIVE 6204C3	1
28	24359-05200	WASHER,OIL C-RING	1
29	24741-05200	RETAINER,COUNTER SHAFT BG(TN,	1
30	02122-06128	SCREW,OL GR SH	2
31	09283-27010	OIL SEAL,REAR AXLE	1
32	09280-19005	O/RING,ENGINE SPROCKET	1
33	27531-08300	SPACER,ENGINE SPROCKET (RX)	1
34	24751-05201	RETAINER,DRV SHAFT (TN,RG,GS)	1
35	01107-06106	BOLT,DR SH RETAINER	1
36	27510H41721	SPROCKET,ENGINE 13T (GV)	1
37	27620-29B20	NULL	1
38	27600HM5400	CHAIN ASS'Y,DRIVE (RT125)	1
39	09167H20002	WASHER,ENGINE SPROCKET(GD250R)	1 Repl of 09167-20006 / (0.8T -> 1.0T)
40	09140-16017	NUT,ENGINE SPROCKET	1
41	24421-05300	WHEEL,SLIDING DOG (TN,RG,GS)	1

FIG.23



SEQ	PART CODE	PART NAME	U/S	REMARK
1	35601HR7800	LAMP ASSY,FT T/SIGNAL R(RT125D	1	
2	35602HR7800	LAMP ASSY,FT T/SIGNAL L(RT125D	1	
3	35603HR8600	LAMP,REAR T/SIGNAL R (RX125D)	1	
4	35604HR8600	LAMP REAR T/SIGNAL LH (RX125D)	1	
5	09471H12112	BULB(12V G18:RY10W) (GV650)	4	
6	02152-06258	SCREW,CYLINDER COWLING	2	
7	08316-26066	NUT,REAR COMBI LAMP	2	
8	08316-26066	NUT,REAR COMBI LAMP	2	
9	09160-06019	WASHER	2	
10	38610HL7320	RELAY ASS'Y,HARZARD (GT125)	1	
11	35625-01A00	TAPING SCREW (GD)	4	
12	09169-06019	NULL	2	
13	01517-06166	BOLT,STEERING LOCK (GV)	1	
14	09169H06016	WASHER,TURNSIGNAL LAMP&COV(GV)	2	
15	51721HM5400TAM	COVER,FRONT TURNSIGNAL (RT125	2	

FIG.25



SEQ	PART CODE	PART NAME	U/S	REMARK
1	36610HR7800	HARNESS, WIRING (RT125D)	1	
1-1	36610H77891	HARNESS, WIRING (RT125D)	1	
2	38500HG5860	HORN ASSY (RT125)	1	
3	01517-06166	BOLT,STEERING LOCK (GV)	2	
4	09407-14403	CLAMP,STRNINER(125MM) (EZ)	6	
5	09407-14408	BAND	4	
6	09404-06405	CLAMP,WIRING HARNESS	2	
7	02112-36128	SCREW,COOLING FAN (GV250N)	2	
8	37100H93B30	LOCK ASS'Y,STEERING (RX125)	1	