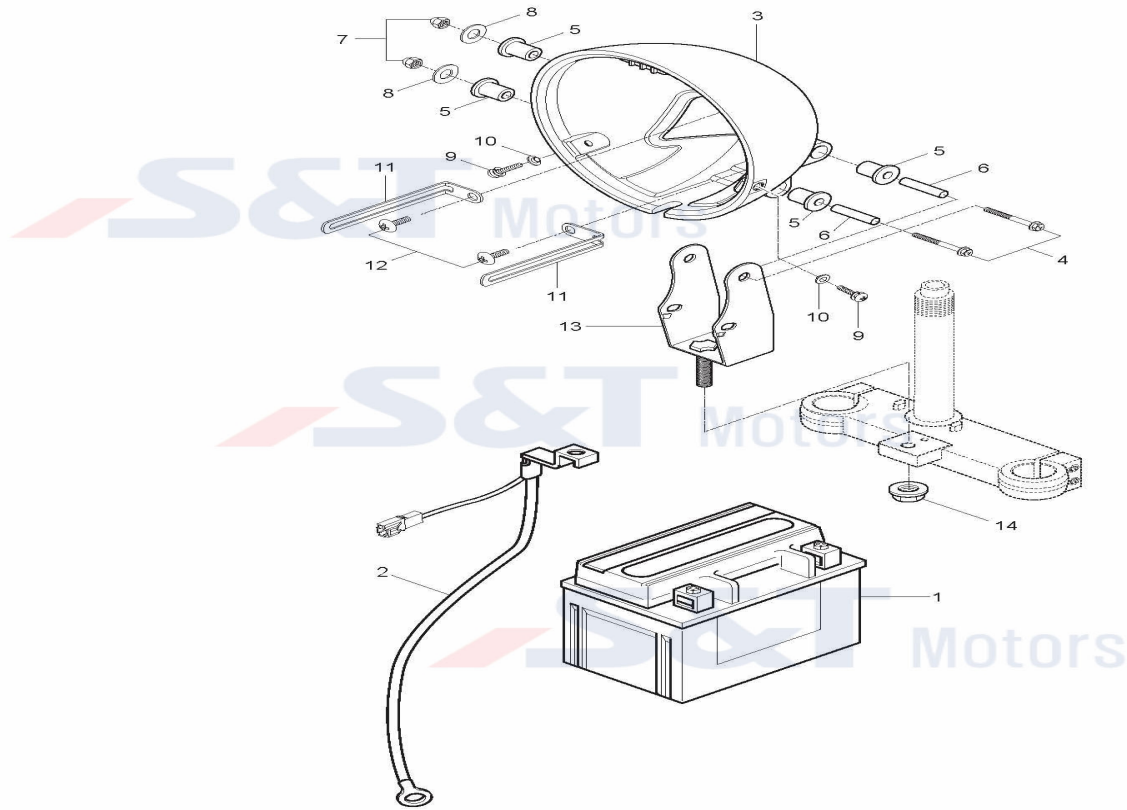
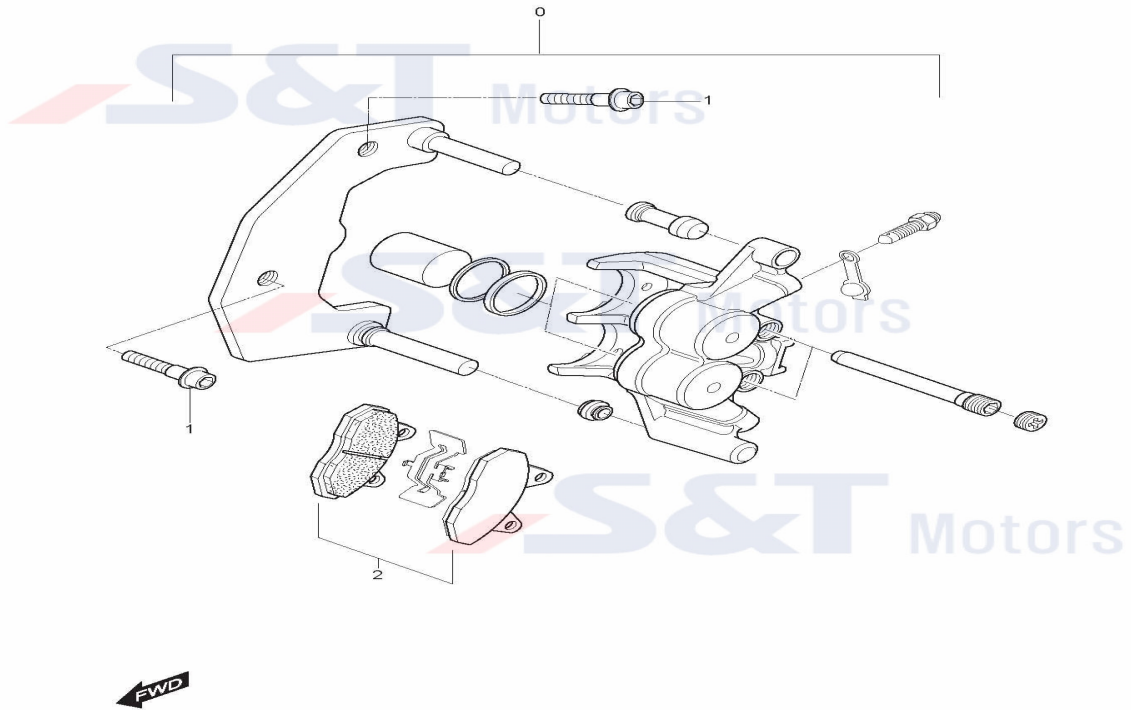


SEQ	PART CODE	PART NAME	U/S	REMARK
0	13700HM5410	CLEANER ASS'Y,AIR (RT125)	1	
1	13720HM5401	CASE,AIR CLEANER (RT125)	1	
2	13782HM5400	FRAME,FILTER (RT125)	1	
3	02142-05165	SCREW,HANDLE COVER NO1	6	
4	13781HM5401	FILTER,AIR CLEANER (RT125)	1	
5	13751HM5401	HOLDER,FILTER (RT125)	1	
6	13740HM5401	CAP COMP,AIR CLEANER (RT125)	1	
7	13891HM5400	TUBE,INLET (RT125)	1	
8	09402-44207	CLAMP,INTAKE PIPE	1	
9	02142-16125	SCREW,FRAME COVER CENTER R	2	
10	13881HM5400	TUBE,OUTLET (RT125)	1	
11	13870-11124	TUBE COMP,DRAIN	1	
12	09401-14301	CLIP	1	
13	02142-06203	SCREW,RECTIFIER (160)	1	
14	13796HM5400	GASKET,FILTER (RT125)	1	
15	13795HM5400	GASKET,FILTER (RT125)	1	



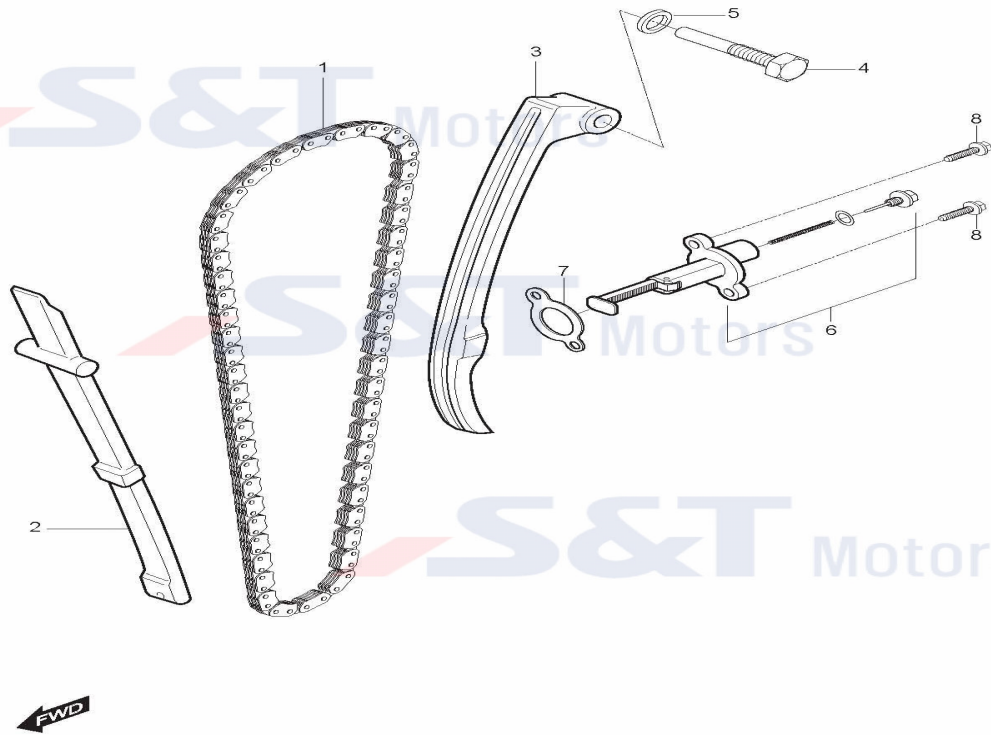
SEQ	PART CODE	PART NAME	U/S	REMARK
1	33610H06C11	BATTERY ASS'Y(12V 6AH)(FXM,GD)	1	
2	33860HM5400	LEAD WIRE,BATTERY MINUS(RT125)	1	
3	51811HM5400TAM	HOUSING HEAD LAMP UPPER (RT125)	1	
3-1	51811HM5450TAM	HOUSING,HEAD LAMP(GT125 MEU01)	1	
4	09103H06013	BOLT,HEAD LAMP HOUSING&BKT(GV)	2	
5	09320H09017	CUSHION,HEAD LAMP HOUSING (GV)	4	
6	09180H06034	SPACER (GV)	2	
7	08313-11066	NUT,HEAD LAMP HOUSING&BKT (GV)	2	
8	09160-06060	WASHER,COMBI LAMP	2	
9	02112-35168	SCREW,OIL PUMP	2	
10	09169-05008	WASHER,HANDLE COVER NO1	2	
11	09404-06405	CLAMP,WIRING HARNESS	2	
12	03241-05106	SCREW,HEAD LAMP HOUSING CLA(GV)	2	
13	51820HJ8201	BRACKET,HEAD LAMP HOUSING(GV25)	1	
14	08319-31106	NUT,BRACKET & CLAMP	1	

SEQ	PART CODE	PART NAME	U/S	REMARK
19	13452H93B00	SPRING,PUMP DIAPHRAM	1	

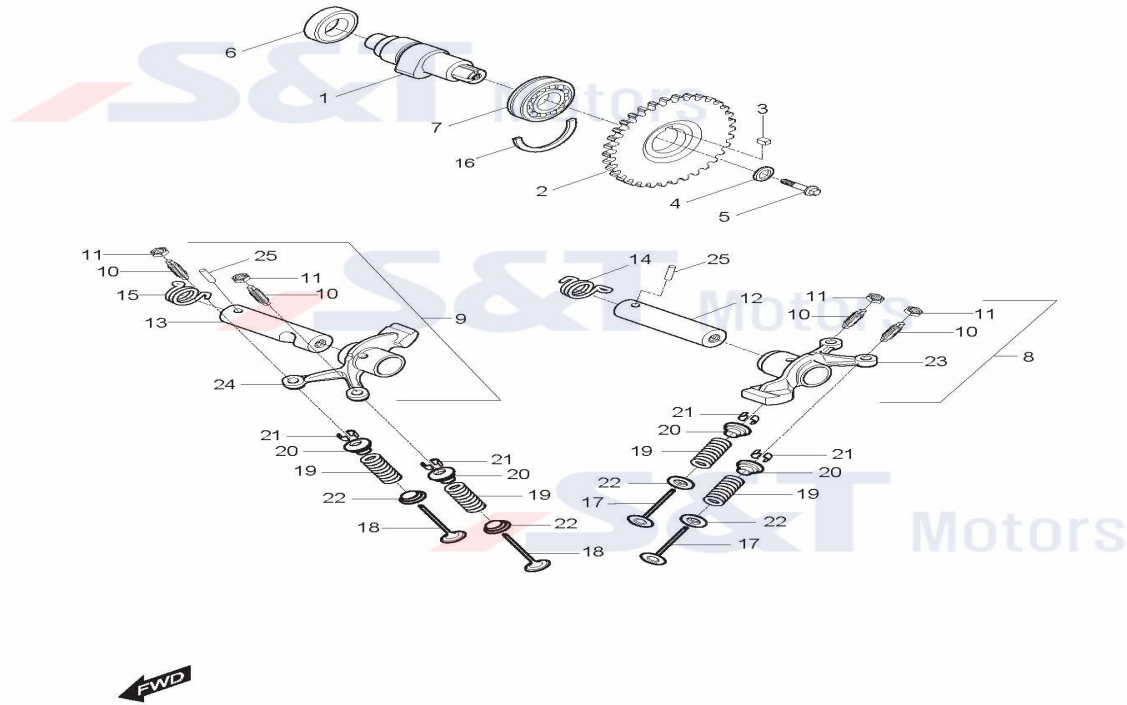


SEQ	PART CODE	PART NAME	U/S	REMARK
0	59300HG5812	CALIPER ASSY,FRONT (RX125)	1	
1	01517-08508	BOLT,CHAIN ADJUSTER SP	2	
2	59300HG5800	PAD SET (RX)	1	
2-1	59301HP9500	PAD SET(8.4T) (GV650)	1	



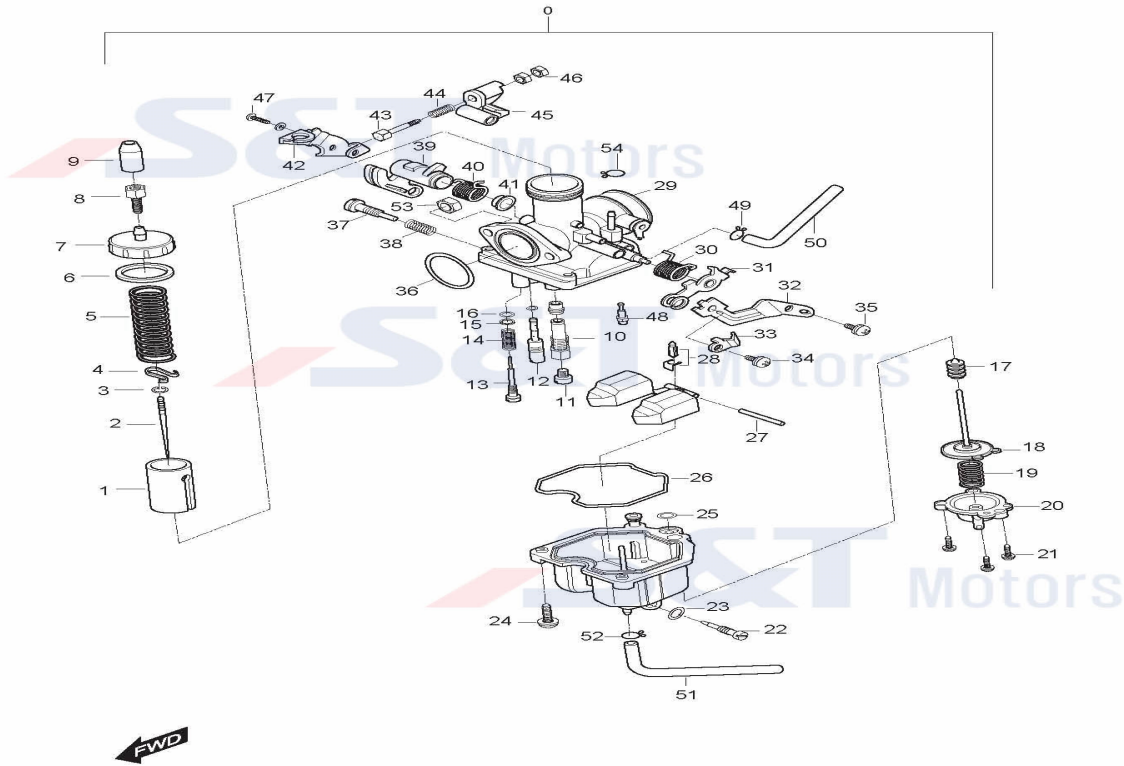


SEQ	PART CODE	PART NAME	U/S	REMARK
1	12760HD6300	SILENT LINK,C/SH DRIVE (GA-F)	1	
2	12771HD6300	GUIDE,CAMLINK (GA-F)	1	
3	12811HD6300	TENSIONER,CAMLINK (GA-F)	1	
4	12812-32410	BOLT,CAM LINK TENSIONER	1	
5	09168-08008	GASKET LEVEL (GV650)	1	
6	12830H93B00	ADJUSTER TENSION (GA)	1	
7	12837H19B11	GASKET,TENSIONER ADJUSTER(GF12)	1	
8	01104-06208	BOLT,TENSIONAL ADJUSTER	2	



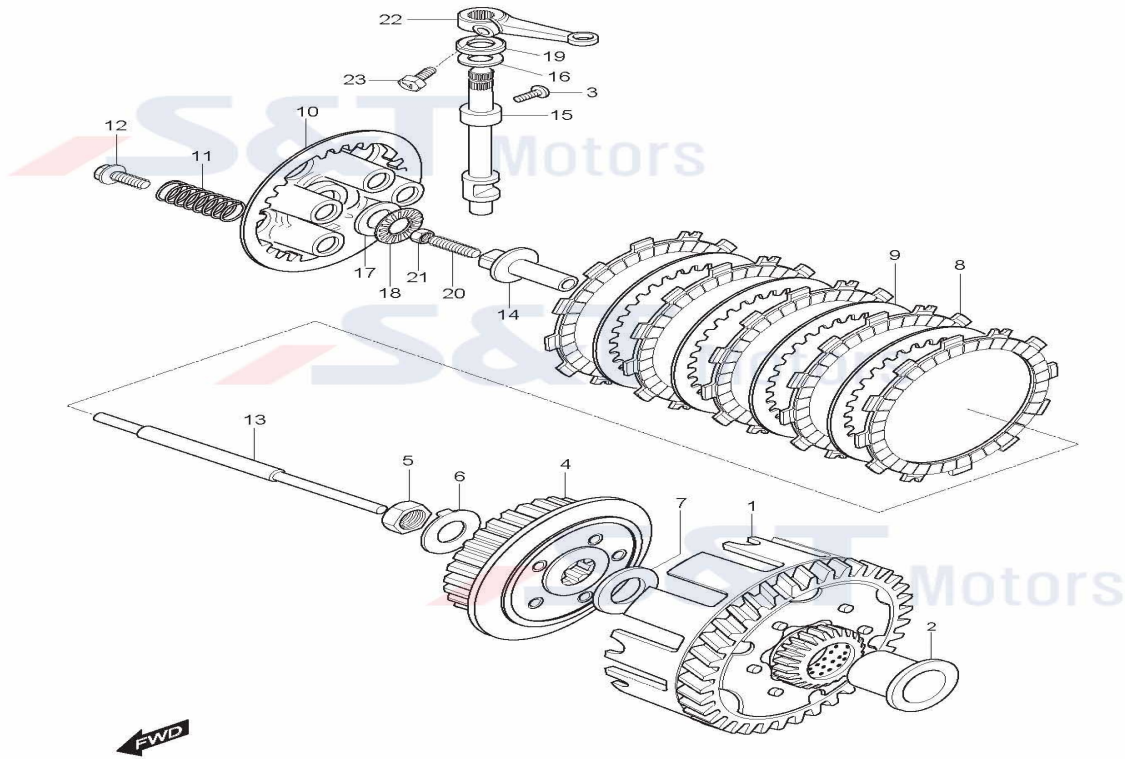
SEQ	PART CODE	PART NAME	U/S	REMARK
1	12711HD6302888	CAMSHAFT (GA-F)	1	
1-1	12711SD6300HPA	CAMSHAFT ASS'Y-1 (GA-F)	1	
1-2	12711SD6310HPA	CAMSHAFT ASS'Y-2 (GA-F)	1	
2	12741HD6301	SPROCKET,CAMSHAFT (GA-F)	1	
3	09421H04004	KEY,CAMSHAFT (GA-F)	1	
4	09160H08016	WASHER,SPROCKET C/SH (GA-F)	1	
5	09103H08007	BOLT,SPROCKET(8*16) (GA-F)	1	
6	09262H17002	BEARING,CAMSHAFT NO.1 (GA-F)	1	
7	09269H17003	BEARING,CAM SHAFT (GA-F)	1	
8	12840HD6300	ARM COMP,VALV ROCK INTA (GA-	1	
9	12850HD6300	ARM COMP,VALVE ROCKER EXHAUST	1	
10	12842-49201	SCREW,TAPPET ADJUSTING (GA-F)	4	
11	12843-27A00	NUT,TAPPET ADJUSTING	4	
12	12861HD6300	SHAFT,VALV ROCK ARM NO.1(GA-F	1	
13	12871HD6300	SHAFT,VALV ROCK ARM NO.2(GA-F	1	
14	09448H17008	SPRING,VALVE ROCKER ARM NO.1	1	
15	09448H17009	SPRING,VALVE ROCKER ARM NO.2	1	
16	09390H38001	CIRCLIP,CAMSHAFT BG NO2 (GA-F)	1	

17	12911HD6300	VALVE,INTAKE (GA-F)	2
18	12912HD6300	VALVE,EXHAUST (GA-F)	2
19	12921HD6300	SPRING,VALVE (GA-F)	4
20	12931HD6300	RETAINER,VALVE SPRING	4
21	12932HD6300	COTTER,VLAVE (GA-F)	8
22	12933HD6300CHA	SEAT VALVE SPRING (GF125)	4
23	12841HD6300	ARM,VALVE ROCKER (IN) (GA-F)	1 cor. 12840HD6300
23-1	12840HD6300	ARM COMP,VALV ROCK INTA (GA-	1 [2010/6/10]
24	12851HD6300	ARM,VALVE ROCKER EXHAUST	1
25	09202H04002	PIN,ROCKER ARM SHAFT (GA-F)	2



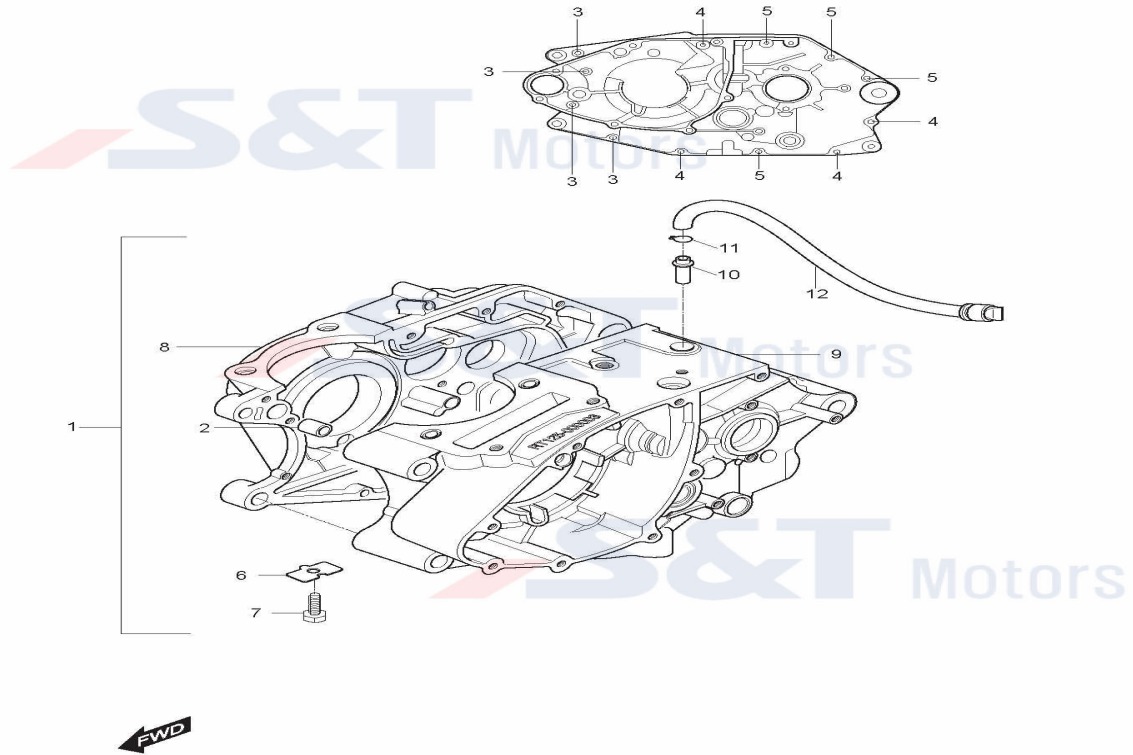
SEQ	PART CODE	PART NAME	U/S	REMARK
0	13200HM5400	CARBURETOR ASS'Y (RT125)	1	
0-1	13200HM5400HAS	CARBURETOR ASS'Y (RT125)	1	
1	13551HG5800	VALVE THROTTLE A/S□□ (RX)	1	
2	13383HM5400	NULL	1	
3	13533H93B00	E-RING,THROTTLE VALVE	1	
4	13581H93B00	CLIP,CARBURETOR	1	
5	13573H93B00	SPRING,THOTTLE VALVE	1	
6	13249H93B00	GASKET, TOP COVER	1	
7	13261H93B00	COVER, TOP	1	
8	13577H93B00	ADJUSTER, THROTTLE CABLE	1	
9	13681H93B00	CAP, CARBURETOR TOP	1	
10	09494HG5800	JET, NEEDLE (RX)	1	
11	09491HM5400102	JET, MAIN (RT125)	1	
12	09492HG5800	JET, PILOT (RX)	1	
13	13279HG5800	NULL	1	
14	13268HG5800	NULL	1	
15	13291HG5800	NULL	1	
16	13295HG5800	NULL	1	

17	13455H93B00	CAP,SEALING	1
18	13460HG5800	NULL	1
20	13450H93B00	COVER COMP,PUMP	1
21	02112-44126	SCREW,CARBURETOR	3
22	13247H93B00	SCREW,DRAIN (GA)	1
23	13278H93B00	O-RING,DRAIN SCREW (GA)	1
24	02112-44166	SCREW,CARBURETOR	3 NOT SALE
25	13297H93B00	O-RING (GA)	1
26	13258H93B00	GASKET FLOAT CHAMBER	1
27	13250HG5800	FLOAT COMP (RX)	1
28	13370HG5800	VALVE ASS'Y,NEEDLE (RX)	1 NOT SALE
29	13410H93B00	SHAFT ASS'Y,CHOKE	1
30	13472H93B00	SPRING,CARBURETOR	1
31	13411H93B00	LEVER,CHOKE	1 NOT SALE
32	13413H93B00	STAY,CHOKE WIRE	1
33	13415H93B00	PLATE,STAY	1
34	02112-45126	SCREW,CARBURETOR	1
35	02112-44086	SCREW,CHOCK WIRE START	1
36	13277H93B00	O-RING,CARBURETOR	1
37	13267H93B00	ADJUSTER,THROTTLE	1
38	13268H93B00	SPRING,PILOT SCREW	1
39	13441H93B00	PUMP ARM-B	1
40	13443H93B00	SPRING,PUMP ARM-B	1
41	13442H93B00	GUIDE,PUMP ARM-B	1
42	13449H93B00	STAY PLATE,PUMP ARM	1
43	13447H93B00	ADJUSTER,PUMP	1
44	13446H93B00	SPRING,PUMP ARM-A	1
45	13445H93B00	PUMP ARM-A	1
46	08310-31046	NUT,PUMP ADJUSTER	1
47	02112-45146	SCREW,CARBURETOR	1
48	13448H93B00	NOZZLE,PUMP	1
49	09401-08401	CLIP,FUEL HOSE (GPS)	1
50	13684H93B00	HOSE,CARBURETOR	1 NOT SALE
51	13683H93B00	HOSE,CARBURETOR	1
52	09401-08401	CLIP,FUEL HOSE (GPS)	1
53	08316-16068	NUT (GV650)	2
54	09407-14403	CLAMP,STRNINER(125MM) (EZ)	1



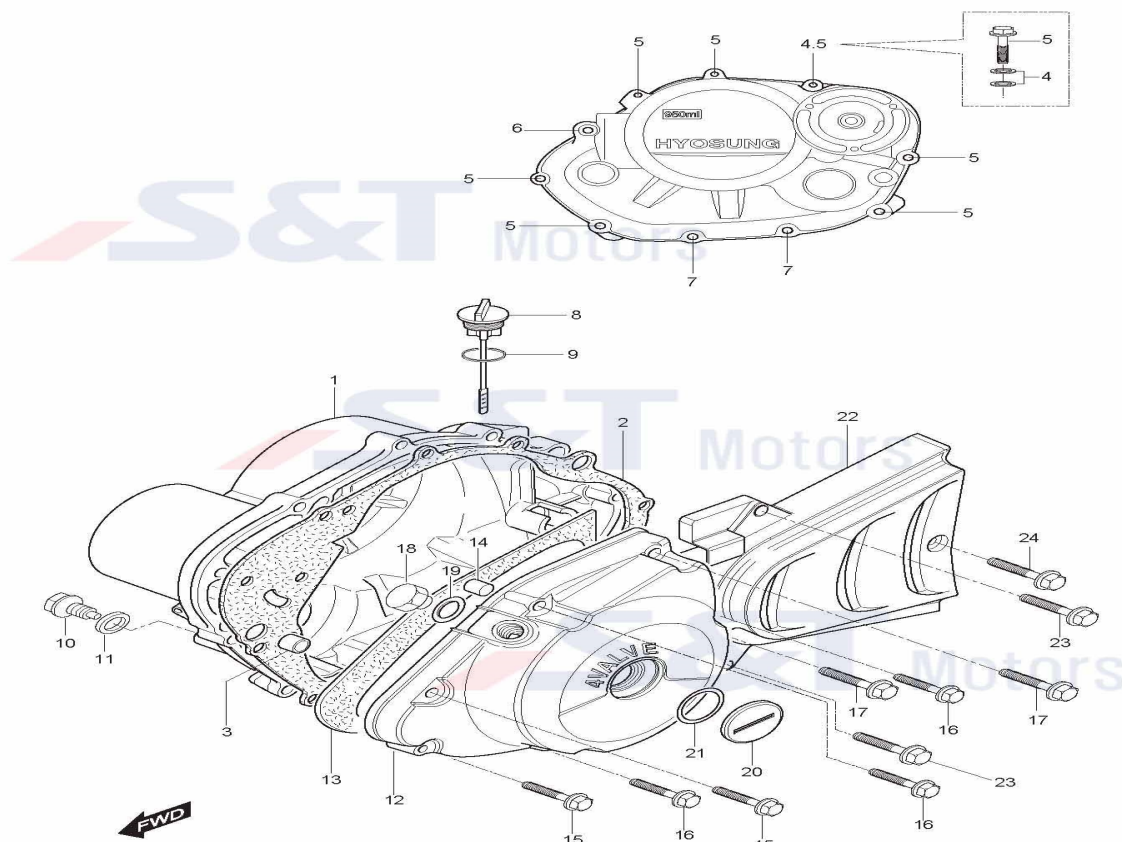
SEQ	PART CODE	PART NAME	U/S	REMARK
1	21200HD6300HPA	PRIMARY ASSY (GA-F)	1	
2	21251H13E00	SPACER PRIM DRVN GEAR (125CC	1	
3	02142-06108	SCREW,KICK STARTER	1	
4	21411-05200	HUB,CLUTCH SLEEVE (GV125)	1	
5	09140-16014	NUT,CLUTCH SLEEVE	1	
6	09169-16003	WASHER,CLUTCH SLEEVE	1	
7	08211-20352	THRUST WASHER CL SLEEVE HUB	1	
8	21441-13A01	PLATE,CLUTCH DRIVE (GV125)	5	
9	21451-28000	PLATE,CLUTCH DRIVEN	4	
10	21462-14102	DISK,CLUTCH PRESSURE(TN,R,GS)	1	
11	09440-15014	SPRING,CLUTCH	5	
12	09116-05003	BOLT,CLTCH SPRING	5	
13	23110-05202	ROD COMP,CLUTCH PUSH	1	
14	23121-38201	PIECE CLUTCH PUSH (GD)	1	
15	23122-05200	CAM SHAFT CLUTCH RELEASE	1	
16	08211-10201	THRUST WASHER,CLUTCH RELEASE	1	
17	09160-15015	THRUST WASHER,CLUTCH RELEASE	1	

18	09263H15001	BEARING,CLUTCH RELEASE	1
19	09282-10007	OIL SEAL,CLUTCH RELEASE CAM	1
20	09134-06010	SCREW,CLUTCH RELEASE	1
21	08310-22068	NUT,UNIT&COIL (GV650)	1
22	23271HJ8250	ARM,CLUTCH RELEASE (GV250-KEU)	1
23	01107-06168	BOLT,RELEASE ARM (GT250RN)	1



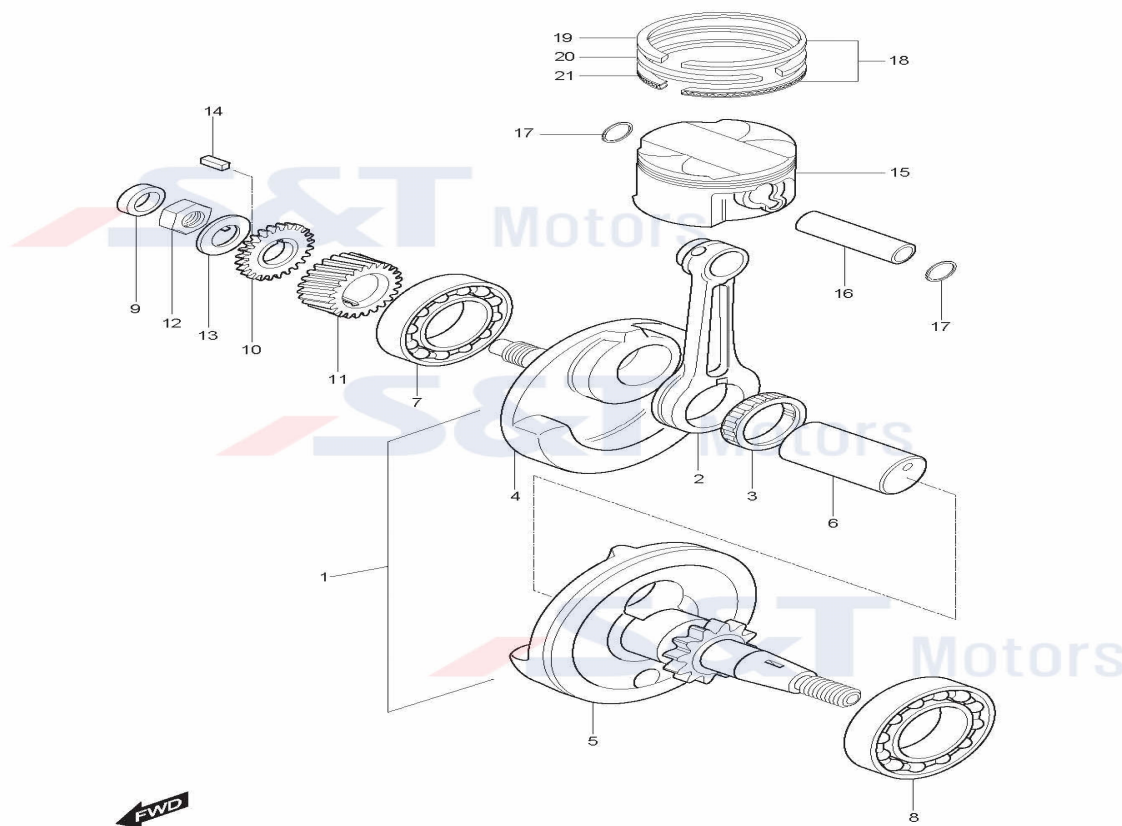
SEQ	PART CODE	PART NAME	U/S	REMARK
1	11300HM5400HPA	CRANK CASE ASS'Y (RT125)	1	
2	04213-13189	PIN,CRANK CASE (GT&GV)	2	
3	01547-06558	BOLT,CRANK CASE	4	
4	01547-06608	BOLT,CAM SHAFT HOLDER (GA)	4	
5	01547-06758	BOLT,CRANK CASE	4	
6	11319-05200	PLATE,OIL GALLERY PLUG	1	
7	01107-06106	BOLT,DR SH RETAINER	1	
8	11310HM5400PCC	CRANK CASE R□□ (RT125)	1	
9	11320HM5400PCC	CRANK CASE L□□ (RT125)	1	
10	09364-12001	UNION,BREATHER HOSE	1	
11	09401-14301	CLIP	1	
12	13870H29B00	CAP COMP BREATHER	1	





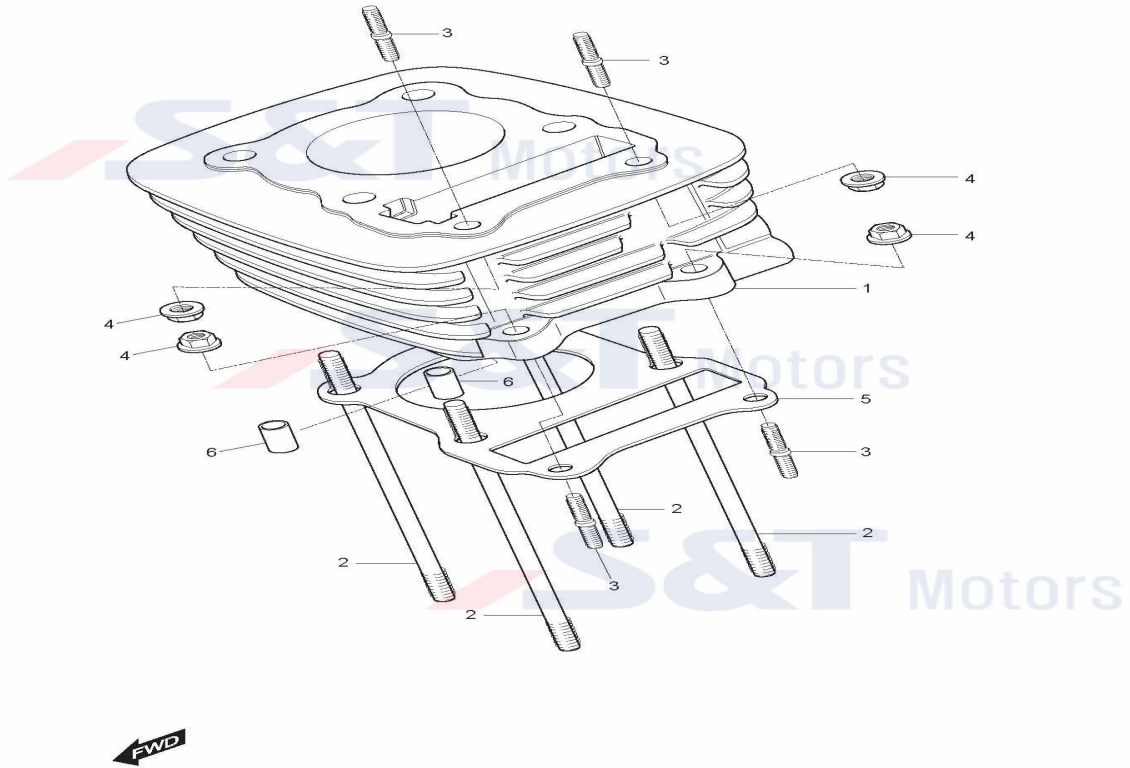
SEQ	PART CODE	PART NAME	U/S	REMARK
1	11340HG5801121	COVER,CLUTCH□□ (RT125)	1	
2	11482H05211	GASKET,CLUTCH COVER (GF125)	1	
3	04213-13189	PIN,CRANK CASE (GT&GV)	2	
4	09168H06009	GASKET OIL GALLERY PLUG (GD)	2	
5	01547-06303	BOLT,ENGINE SPROCKET COV (160)	7	
6	01547-06453	BOLT,CLUTCH COVER (GA)	1	
7	01547-06403	BOLT,CLUTCH COVER (RX)	2	
8	11971HE6100	GAUGE,OIL LEVEL (FX)	1	
8~1	11971HN6400	GAUGE,OIL LEVEL (KR110)	1	
9	09280-17003	O/RING,ENGINE OIL FILTER	1	cor. 09280H17003
9-1	09280H17003	O-RING,ENGINE OIL FILTER (FX)	1	
10	09247-14026	PLUG,BOLT	1	
11	09168H14003	GASKET,OIL CHECK PLUG (SB)	1	
12	11351HG5802121	COVER,MAGNETO□□ (RT125)	1	
13	11483H05301	GASKET,MAGNETO COVER (GD)	1	
14	04213-09129	PIN,MAGNETO COVER	1	
15	01547-06303	BOLT,ENGINE SPROCKET COV (160)	2	
16	01547-06353	BOLT,MAGNETO COVER (GA)	3	

17	01547-06453	BOLT,CLUTCH COVER (GA)	2
18	09247H12102	PLUG,T D C	1
19	09168H12003	GASKET,TDC PLUG (SB)	1
20	09259-26015121	PLUG,CRANK SHAFT HOLE□□(TN	1 BLACK
21	09280-22008	O/RING,CRANK SHAFT HOLE PL	1
22	11361HM5401121	COVER,ENGINE SPROCKET (RT125)	1
23	01547-06453	BOLT,CLUTCH COVER (GA)	2
24	01547-06808	BOLT,CRANKCASE (GD)	1

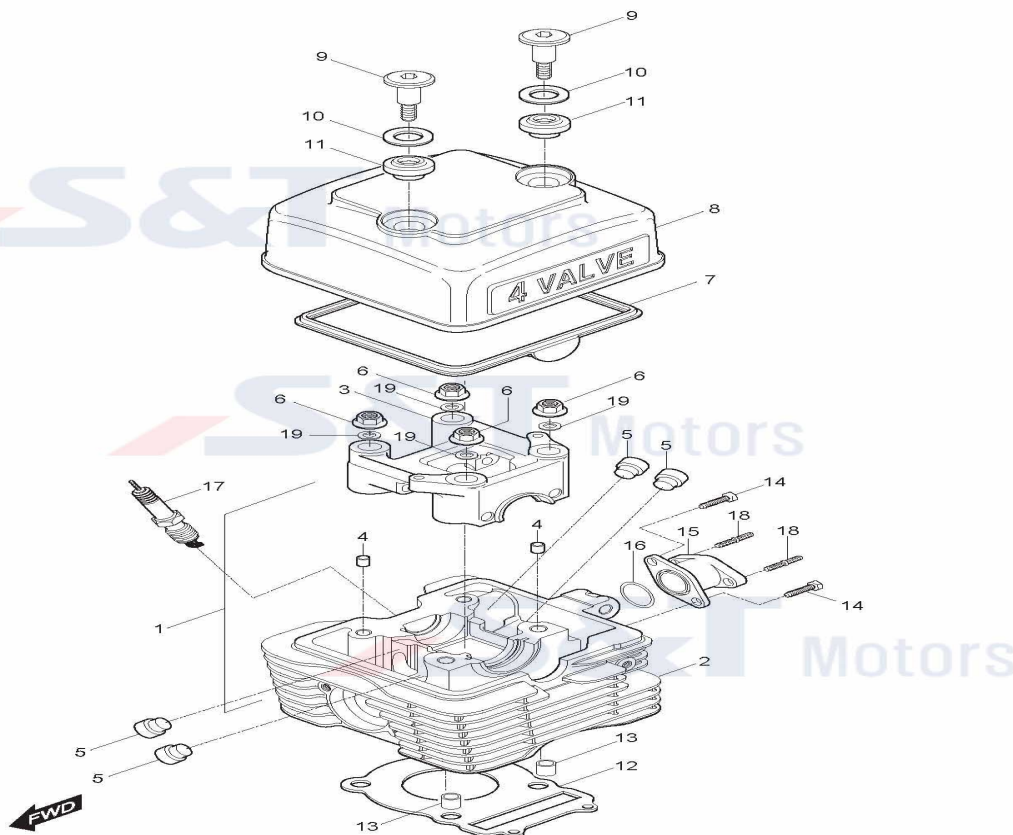


SEQ	PART CODE	PART NAME	U/S	REMARK
1	12200HD6301HPA	CRANK SHAFT ASS'YΦ30 (125CC	1	
2	12161HD6301	ROD,CONNECTING (125CC)	1	
3	09263H30003	BEARING,CRANK PIN (GD)	1	
4	12221HF4600CSA	CRANK SHAFT R (125CC)	1	
5	12261H35C02CSA	CRANK SHAFT L (125CC)	1	
6	12211HF4600HPA	PIN COMP,CRANK (RT/RX)	1 =PIN+BALL	
7	09262H28003	BEARING CRANK SHAFT R (125CC)	1	
8	09262H35002	BEARING,CRANK SHAFT L(RX125SM)	1	
9	09282-12001	OIL SEAL,CRANK SHAFT RH	1	
10	16321-04B01	GEAR,OIL PUMP DRIVE	1	
11	21111HD6300	GEAR,PRIMARY DRIVE	1	
12	09140-16019	NUT,PRIMARY DRIVEN GEAR	1	
13	09166-16012	WASHER,PRIMARY DRIVEN GEAR	1	
14	09421-04004	KEY,PRIMARY DRIVEN GEAR	1	
15	12111HD6301PPS	PISTON (GA-F)	1	
15-1	12111SD6300HPA	PISTON ASS'Y (GA-F)	1	
16	12151-30B00	PIN,PISTON (GD,GA-F)	1	
17	09381-15001	CIRCLIP,PISTON PIN (GD,GA-F)	2	

18	12140-16E00	RING SET,PISTON	(GD,GA-F)	1	12141-16E00,12142-16E00,12144-16E00
19	12141-16E00	RING,PISTON 1ST	(GD,GA-F)	1	
20	12142-16E00	RING,PISTON 2ND	(GD,GA-F)	1	
21	12144-16E00	RING,PISTON OIL	(GD,GA-F)	1	

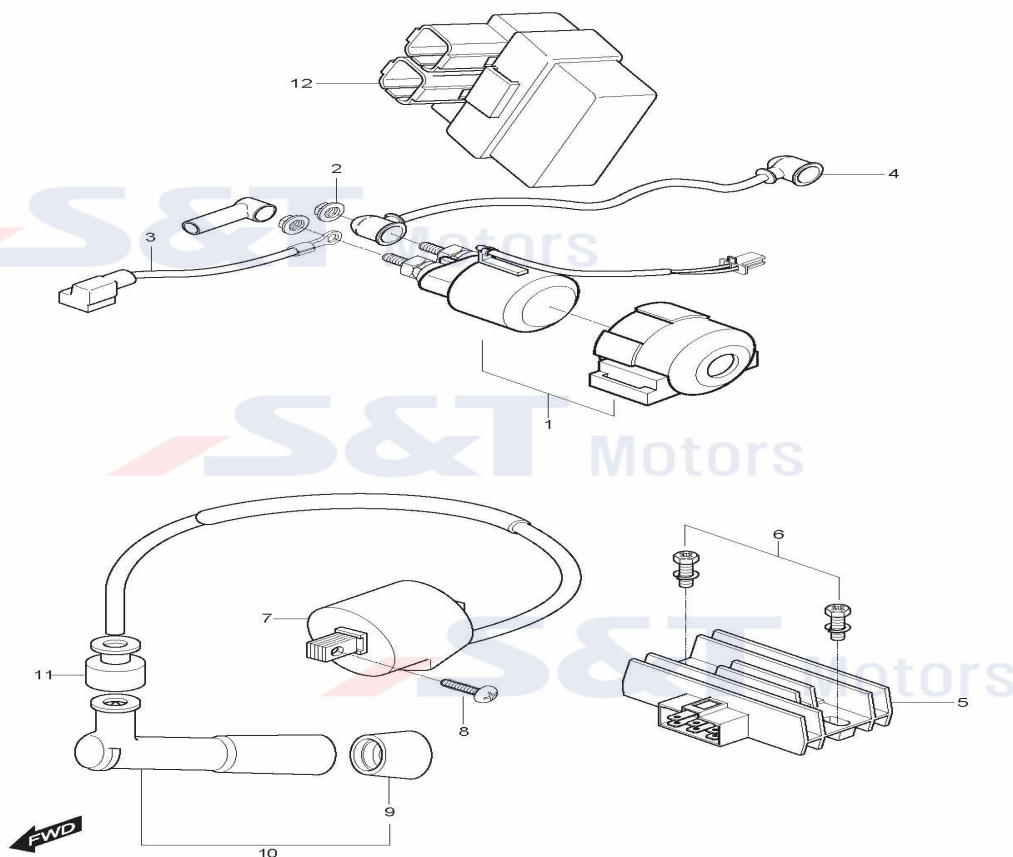


SEQ	PART CODE	PART NAME	U/S	REMARK
1	11210HF4600PCY	CYLINDER COMP□□ (GF)	1	
2	09108H08175	STUD BOLT,CYLINDER L=224(GA-F)	4	
3	01421-06258	STUD BOLT CYLINDER (GA)	4	
4	08316-16068	NUT (GV650)	4	
5	11241H05201	GASKET,CYLINDER (GAF)	1	
6	04213-11149	KNOCK PIN	2	



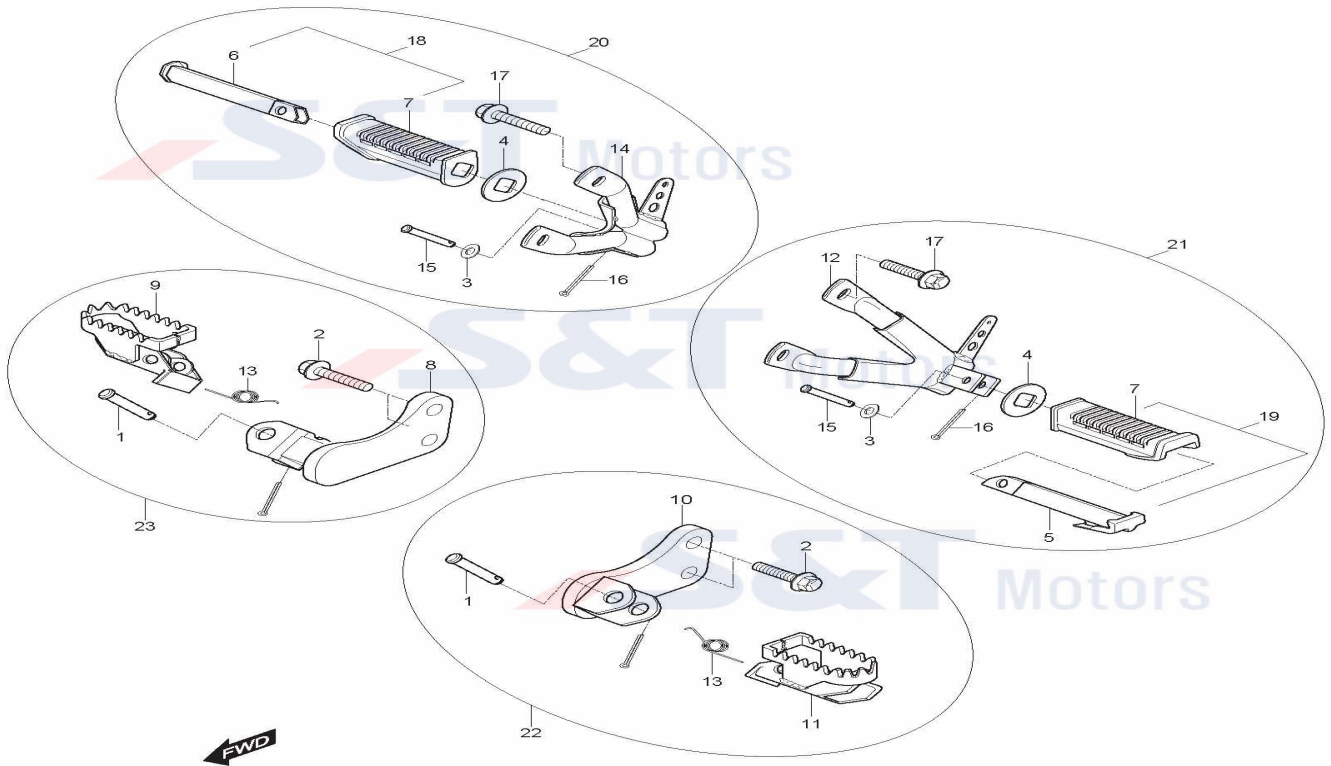
SEQ	PART CODE	PART NAME	U/S	REMARK
1	11100HM5410PCH	HEAD COMP,CYLINDER (RT125)	1	
2	11100HM5400HPA	CYLINDER HEAD ASS'Y (RT125)	1	
3	11130HD6303PCH	HOLDER COMP,CAM SHAFT (GA125F)	1	
4	04213-11169	PIN,CYLINDER HEAD KNOCK (FX)	2	
5	09289-05008	SEAL,VALVE STEM OIL	4	
6	09159-08031	NUT,CYLINDER HEAD NO4	4	
7	11173HD6302	GASKET,CYLINDER HEAD COVER(GAF)	1	
8	11171HF4601121	COVER,CYLINDER HEAD (GF)	1	
9	09106H07009	BOLT,CYLINDER HEAD COVER(GA-F)	2	
10	11124H93B11	WASHER CYLINDER HEAD COVER(GA)	2	
11	11123H93B01	PACKING,C/HEAD COV BOLT (GA)	2	
12	11141HG5800	GASKET,CYLINDER HEAD (RX125)	1	
13	04213-11169	PIN,CYLINDER HEAD KNOCK (FX)	2	
14	09128-06005	BOLT,FUEL COCK	1	
14-1	09128-06005	BOLT,FUEL COCK	1	
15	13110HG5802	PIPE COMP,INTAKE(MARK□□(RX	1	
16	09280H32006	O-RING,INTAKE PIPE	1	

17	09482-00248HAS	PLUG SPARK (GA125F)	1
18	01421-06168	STUD BOLT,CYLINDER 2	1
18-1	01421-06168	STUD BOLT,CYLINDER 2	1
19	09168-08021	GASKET CYLINDER HEAD BOLT	4



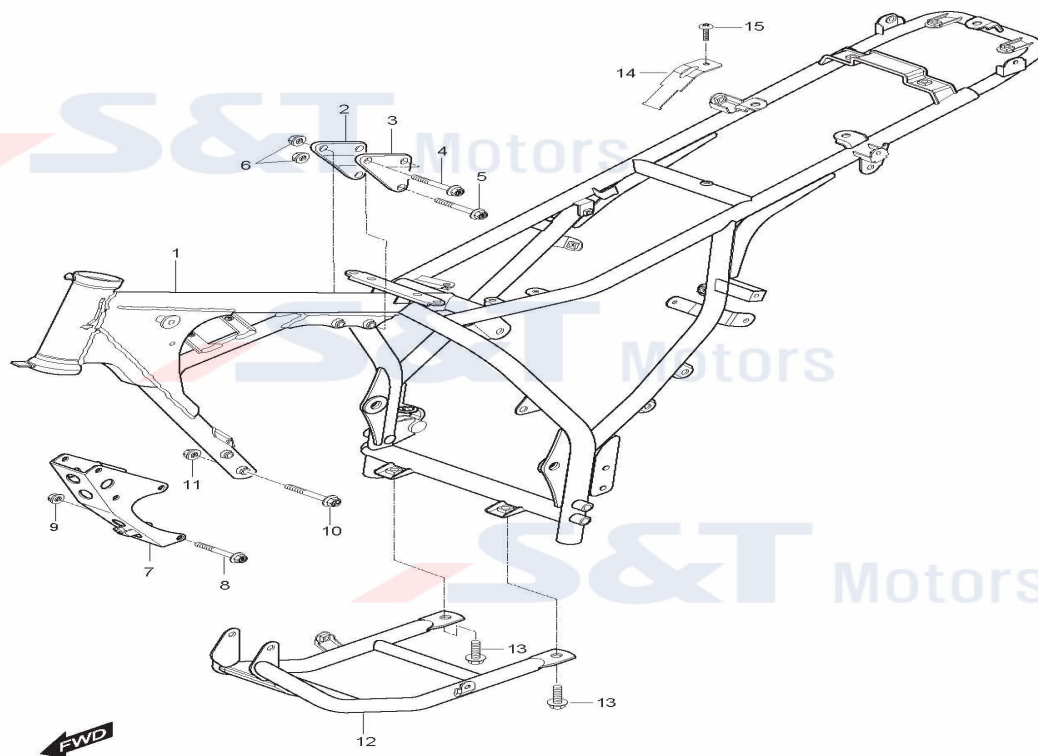
SEQ	PART CODE	PART NAME	U/S	REMARK
1	31800HG5100	RELAY ASSY'STARTING MOTOR (GV)	1	
2	08316-26066	NUT,REAR COMBI LAMP	2	
3	33840HM5401	LEAD WIRE,BATTERY PLUS (RT125)	1	
4	33850HM5401	LEAD WIRE,STARTER MOTOR (RT125)	1	
5	32800HN9110	RECTIFIER REGULATOR ASSY(GT650)	1	
5-1	93280HM5400	BRACKET SET,REGULATER (RT125)	1	
5-1-1	32800HN9150	RECTIFIER REGULATOR (GV125CN)	1	[2011/9/6]
6	09128-06035	BOLT,FUEL COCK	2	
6-1	01517-06166	BOLT,STEERING LOCK (GV)	2	[2011/9/6]
7	33410HG5800	COIL ASS'Y,IGNITION (RX)	1	
8	02112-46208	SCREW,ADJUSTER	2	
9	33541-38210	NULL	1	
10	33500HF4600	CAP ASS'Y S/PLUG (GF)	1	
11	33542-98000	SEAL,HIGH TENSION CORD	1	
12	32900HM5450	C.D.I UNIT (RT125)	1	



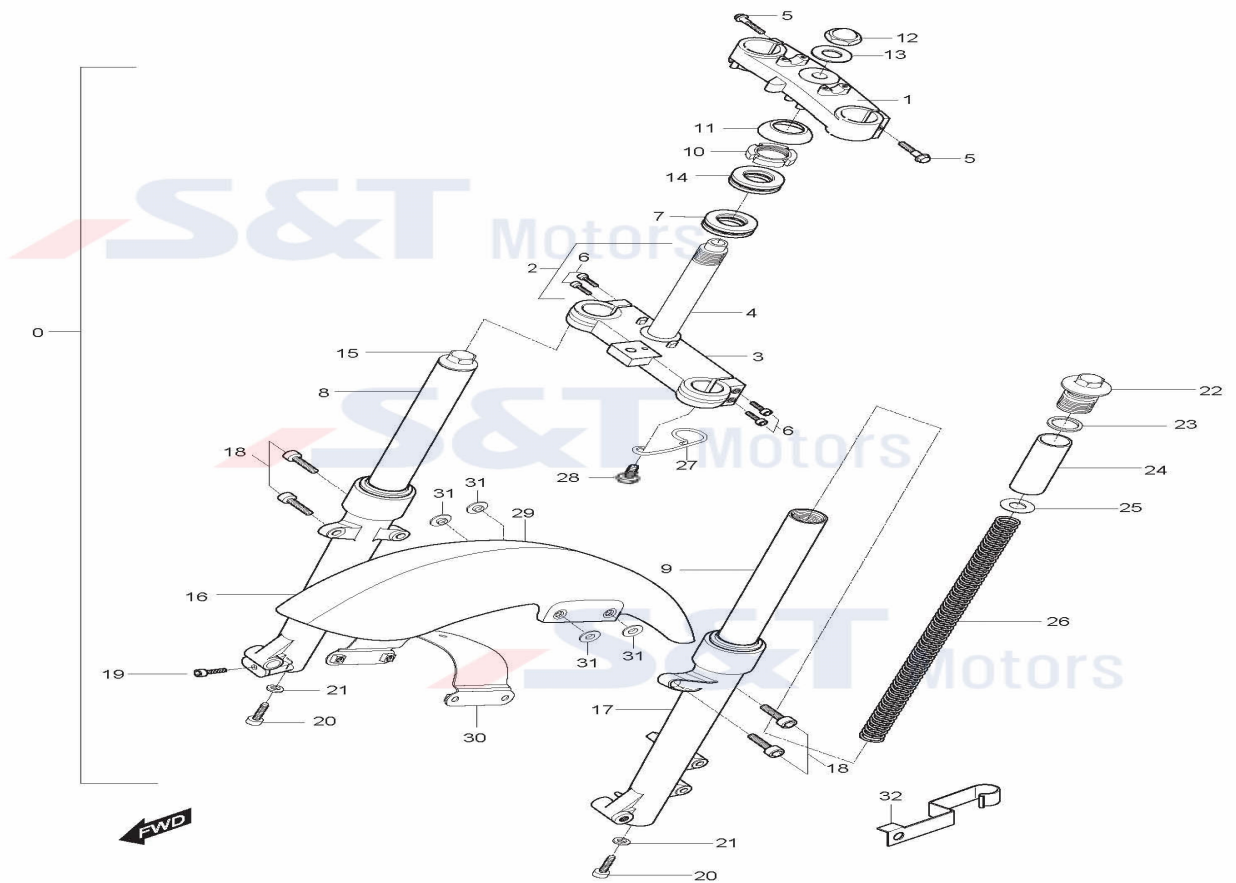


SEQ	PART CODE	PART NAME	U/S	REMARK
1	09200-10008	PIN,FRONT FOOTREST BKT (RX)	2	
2	09116H10061	BOLT,FRONT FOOTREST BAR	4	
3	08322-21068	WASHER HEAD LAMP AIMING	2	
4	43631-34A00	WASHER,FOOTREST RUBBER	2	
5	43710-12B01	BAR COMP,PILLION FOOT L (RX)	1	
6	43610-12B01	BAR COMP,PILLION FOOTREST R(RX)	1	
7	43551-29B21	RUBBER,PILLION FOOTREST (RX)	2	
8	43510HM5402120	BRACKET,FRONT FOOTREST R(RT125)	1	
9	43550-08B10	FOOTREST COMP,FRONT R (RX)	1	
10	43520HM5401120	BRACKET COMP,FT FOOTREST L(RT)	1	
11	43560-08B10	FOOTREST COMP,FRONT L (RX)	1	
12	43750HG5800PAM	BRACKET,PILLION FOOTREST L(RT)	1	
13	09448H16001	SPRING (GA)	2	
14	43650HG5800PAM	BRACKET,PILLION FOOTREST R(RT)	1	
15	09200H06057	PIN PILLION FOOTREST (GD)	2	
16	04111-20208	COTTER PIN	2	
17	01517-08168	BOLT REAR AXLE BRI HOUSING	4	

18	43600HG5800	FOOTREST ASSY,PILLION R (RX)	1
19	43700HG5800	FOOTREST ASSY,PILLION L (RX)	1
20	43650HM5400HPA	BRACKET,PILLION F/REST R(RT125	1
21	43750HM5400HPA	BRACKET,PILLION F/REST L(RT125	1
22	43520HM5400HPA	BAR FRONT FOOTREST L ASS'Y(RT)	1
23	43510HM5400HPA	BAR FRONT FOOTREST R ASSY (RT)	1

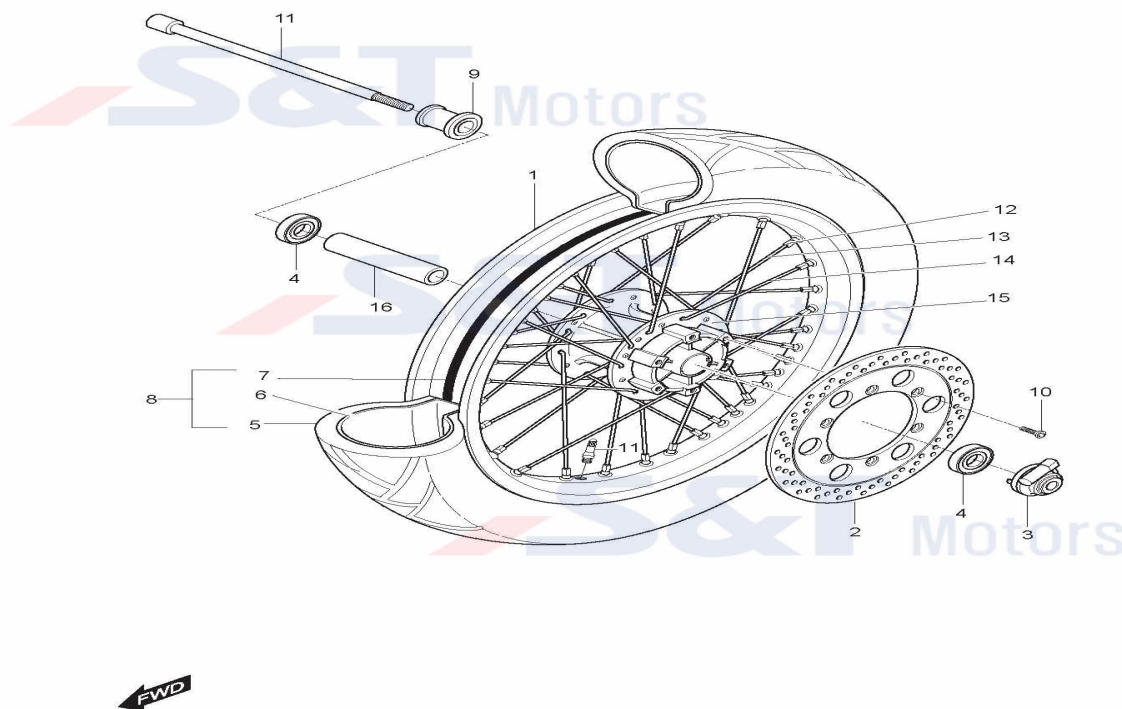


SEQ	PART CODE	PART NAME	U/S	REMARK
1	41100HM5404PAM	FRAME COMP (RT125)	1	
2	41993HG5801120	PLATE E/G MTG UPP R□□(RT12	1	
3	41994HG5801120	PLATE E/G MTG UPP L□□(RT12	1	
4	01517-08608	BOLT,ENGINE MOUNTING UPPER(RX)	2	
5	01517-08508	BOLT,CHAIN ADJUSTER SP	1	
6	08319-31088	NUT,PILLION FOOTREST	3	
7	41990HG5801PAM	BRACKET E/G MOUNTING LOW(RT125)	1	
8	09103H10149	BOLT,ENGINE MOUNT L80	2	
9	08319-31108	NUT,FRONT SORBER	2	
10	01517-08658	BOLT,ENGINE MOUNT,LOW	2	
11	08319-31088	NUT,PILLION FOOTREST	2	
12	41140HG5803PAM	TUBE COMP,DOWN (RT125)	1	
13	01517-08168	BOLT REAR AXLE BRI HOUSING	2	
14	63116HM5400	PLATE,CDI (RT125)	1	
15	02142-06126	SCREW UPPER CABLE GUIDE NO1(GV	1	
16	42511HG5850	GUARD,ENGINE (RX)	1	



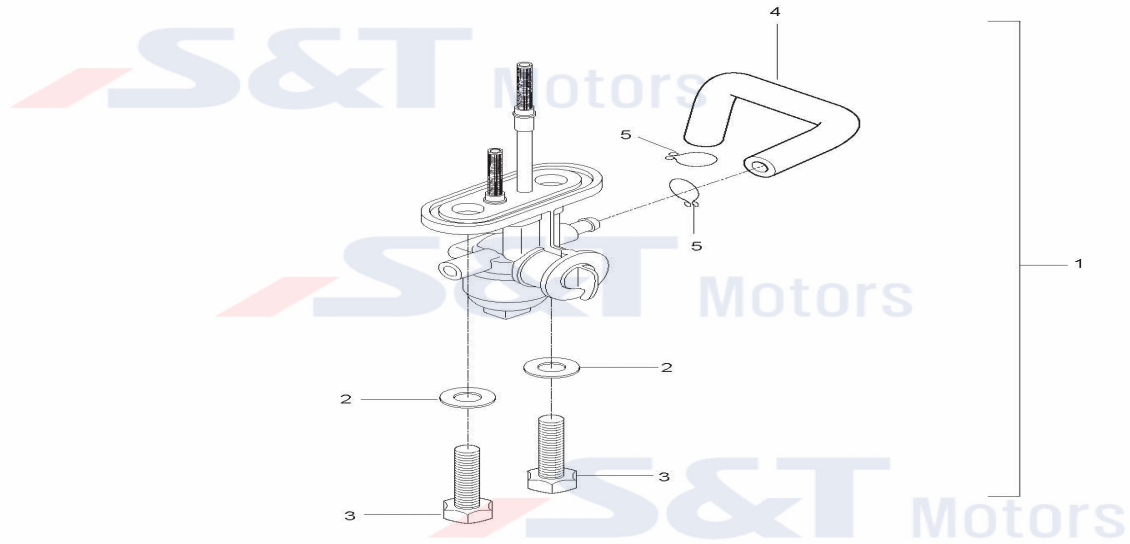
SEQ	PART CODE	PART NAME	U/S	REMARK
0	51100HM5400HPA	FRONT FORK ASS'Y (RT125)	1	Unusable P/NO
1	51311HM5400121	BRACKET,FRONT FORK UPPER(RT125)	1	
2	51410HM5400121	BRACKET,FRONT FORK UNDER(RT125)	1	
3	51411HM5401	UNDER BRACKET (RT125)	1	
4	51412HG5104	STEM PIPE (RT125)	1	
5	07110-08258	BOLT,FRAME JOINT	2	
6	07110-08258	BOLT,FRAME JOINT	4	
7	09265H25001	BEARING,STEERING UPPER (RX)	1	
8	51210HM5401	DAMPER ASS'Y,FRONT FORK R (RT)	1	
9	51220HM5403	DAMPER ASS'Y,FRONT FORK L (RT)	1	
10	51631-28000	NUT,STEERING	1	
11	51643HG5801	DUST SEAL,STEERING UPPER (RX)	1	
12	09159H22001	NUT,STEERING UPPER (RX)	1	
12-1	09159H22102	NUT,STEERING UPPER (GT650RN)	1	
13	09160H22031	WASHER,STEERING UPPER (RX)	1	
14	09265H28001	BEARING,STEERING LOWER (RX)	1	
15	51432HG5100	NULL	1	

16	51420HM5401	CASE BOTTOM R	(RT125)	1
17	51520HM5401	CASE BOTTOM L	(RT125)	1
18	07110-08256	BOLT,FRONT FENDER	(GV)	4
19	07110-08358	BOLT,PILLION RIDER		1
20	07110-08256	BOLT,FRONT FENDER	(GV)	2
21	90544H93B00	WASHER,SOCKET	(GAF	2
22	51432HG5100	NULL		1
23	91356HG5100	O-RING	(GV125)	2
24	51610HG5100	NULL		2
25	51402HG5100	NULL		2
26	51401HG5100	NULL		2
27	59266HM5400	GUIDE,FT BK HOSE & CABLE	(RT125	1
28	02142-06126	SCREW UPPER CABLE GUIDE NO1(GV		1
29	53111HM5401TLR	FRONT FENDER	(RT125)	1
29-1	53111HM5401TMO	FRONT FENDER	(RT125)	1
29-2	53111HM54010DB	FRONT FENDER	(RT125)	1 DEEP BLUE
30	53211HM5401	BRACE,FRONT FENDER	(RT125)	1
31	09169-08034	WASHER,FRONT FENDER		4
32	59266HG5101	CLAMP,BRAKE HOSE NO1	(GV)	1
33	51240-G5100	OIL SEAL	(GV)	2



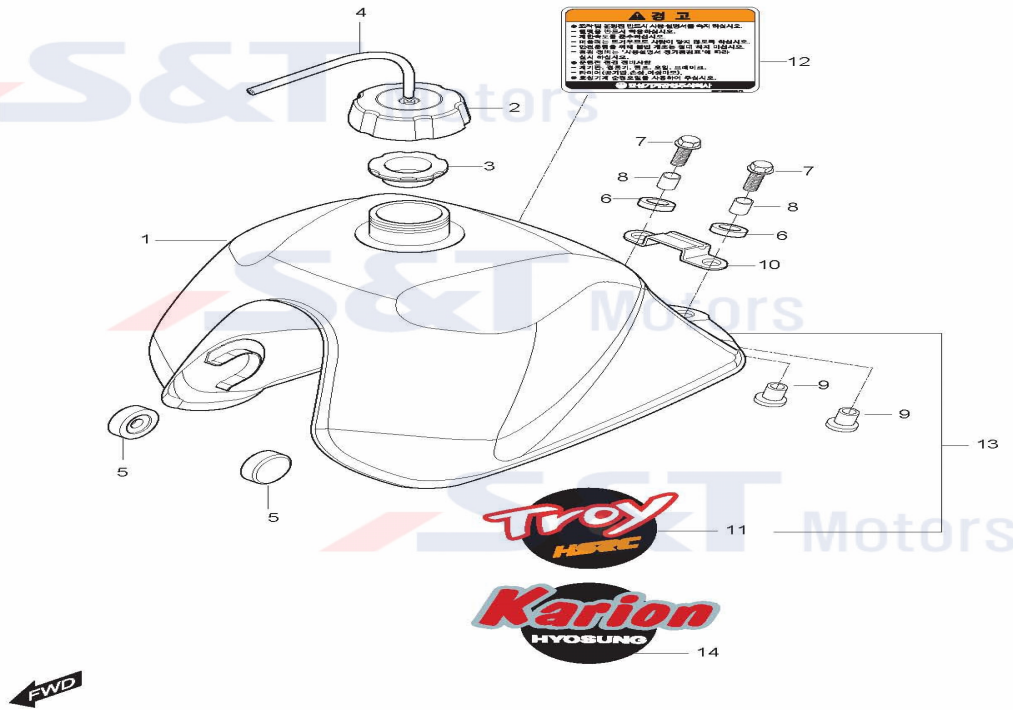
SEQ	PART CODE	PART NAME	U/S	REMARK
1	55311HM5401	RIM,FRONT WHEEL(J18*MT2.50)(RT	1	
2	59211HG5150	DISK,FRONT BRAKE (GV)	1	
3	54600HM5400	BOX ASS'Y,SPEEDOMETER (RT125)	1	
4	08124-63027	BEARING FRONT HUB R/L (GV)	2	
5	55100HM5400	TIRE COMP,FRONT (RT125)	1	
6	55200HM5400	TUBE WHEEL (RT125)	1	
7	55261HM5400	PPOTECTOR TUBE (RT125)	1	
8	55100HM5400	TIRE COMP,FRONT (RT125)	1	
9	54750HM5401	SPACER,FRONT AXLE R (RT125	1	
10	59421-03A01	BOLT,FRONT BRAKE DISK (SBS)	4	
11	54711HG5101	AXLE,FRONT (GV)	1	
12	65325HM5400	NIPPLE,WHEEL SPOKE (RT125	36	
13	55321HM5400	SPOKE,FRONT WHEEL INNER (RT125	18	
14	55322HM5400	SPOKE,FRONT WHEEL OUTER(RT125)	18	
15	54110HM5400121	HUB COMP,FRONT WHEEL (RT125)	1	
16	54731HG5100	SPACER (GV)	1	
17	54110HM5400HPA	WHEEL FRONT+TIRE ASS'Y (RT125)	1	





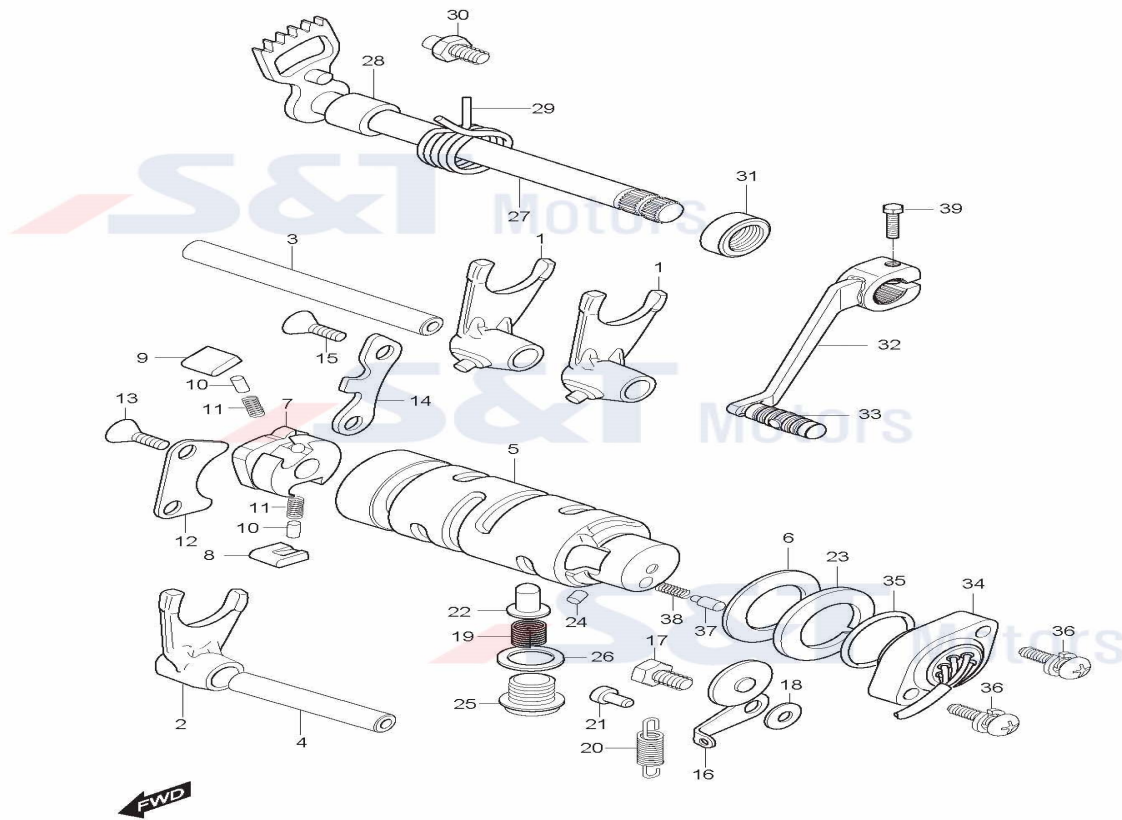
SEQ	PART CODE	PART NAME	U/S	REMARK
1	44300HG5104	COCK ASS'Y,FUEL (GV)	1	
2	09168-06010	GASKET FUEL LEVEL GAUGE (GA)	2	
3	09128-06005	BOLT,FUEL COCK	2	
4	44197HB1101	HOSE FUEL OUTLET NO2	1	
5	09401-09101	CILP,OIL HOSE NO1	2	





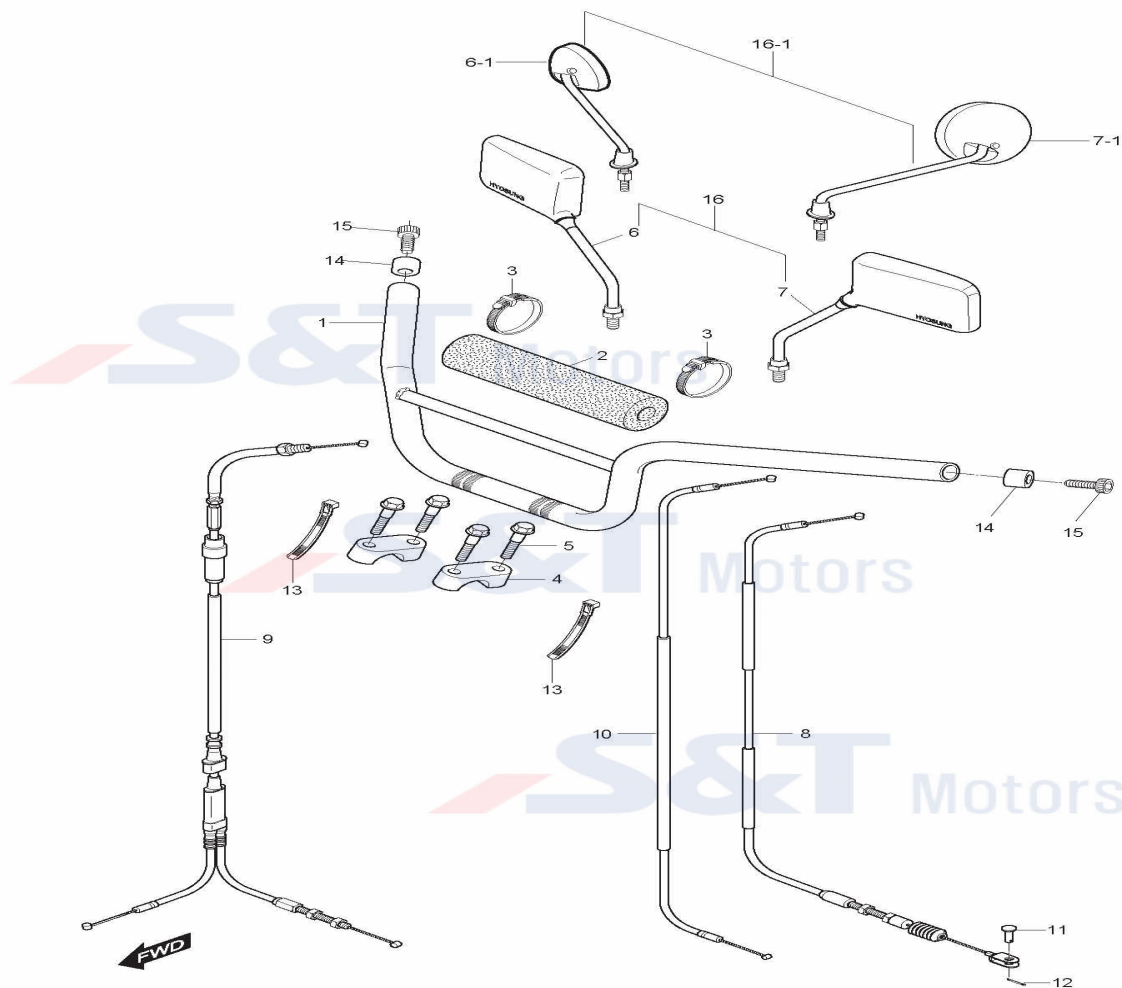
SEQ	PART CODE	PART NAME	U/S	REMARK
1	44110HM5401CBK	FUEL TANK COMP (RT125D)	1	
1-1	44110HM5401CLO	FUEL TANK COMP (RT125D)	1	LIGHT ORANGE
1-2	44110HM5401CLR	FUEL TANK COMP (RT125)	1	LIGHT RED
2	44210HG5801	CAP,FUEL TANK FILTER (RT125)	1	
3	44248-05210	GASKET,F/CAP	1	
4	09343H03058	HOSE,F/TANK BREATHER L=580(RX	1	
4~1	09343-05052	HOSE,FUEL	1	
5	09329-10007	CUSHION	2	
6	09320-14013	CUSHION,TANK LOW	2	
7	09116H06084	BOLT,FUEL TANK REAR CUSHION(GV	2	
8	09180-06162	SPACER,FUEL TANK REAR	2	
9	09320-10020	CUSHION,TANK UPPER	2	
10	45119HM5400	PLT,SEAT FRONT HOOK (RT125)	1	
11	68120HM54501AB	TAPE,FUEL TANK(KARION) (RT125)	2	
12	68319H05351PL	LABEL,CAUTION□□GT/GV/RT/RX	1	
13	44110SM54010LR	FUEL TANK□□ (RT125)	1	LIGHT RED
13-1	44110SM54010MO	FUEL TANK COMP (RT125)	1	MANGO YELLOW
13-2	44110SM54010SY	FUEL TANK□□ (RT125)	1	COLORLED SCIENCE YELLOW



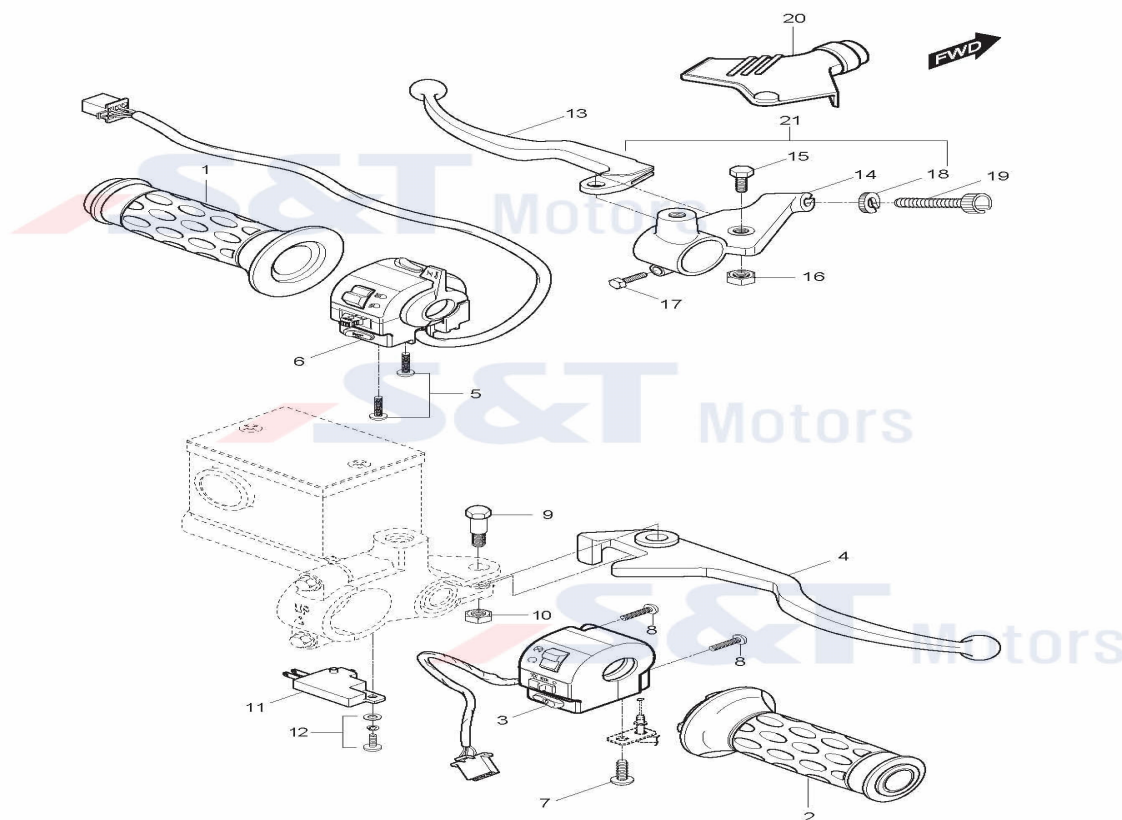


SEQ	PART CODE	PART NAME	U/S	REMARK
1	25211-05200	FORK,GEAR SHIFT NO1(TN,RG,GS)	2	
2	25231-05201	FORK,GEAR SHIFT NO3(TN,RG,GS)	1	
3	25411-05201	SHAFT GEAR SHIFT FORK NO1	1	
4	25421-35403	SHAFT SHIFT FORK (GV250N)	1	
5	25310-05300	CAM,GEAR SHIFT	1	
5-1	25310S05200HPA	CAM GEAR SHIFT ASS'Y(GA,GD,TN)	1	
6	08211-25401	WASHER,GEAR SHIFT CAM	1	
7	25322-31301	GEAR,SHIFT CAM DRVN(TN,RG,GS)	1	
8	25323-34201	PAWL,GEAR SHIFT NO1(TN,RG,GS)	1	
9	25324-34201	PAWL,GEAR SHIFT NO2(TN,RG,GS)	1	
10	09261-05003	PIN,GEAR SHIFT	2	
11	09440-04003	SPRING,GEAR SHIFT PLATE	2	
12	25331-30000	LIFTER,GEAR SHIFT (TN,RG,GS)	1	
13	02122-06128	SCREW,OL GR SH	2	
14	25341-05200	GUIDE,GEAR SHIFT CAM	1	
15	02122-06128	SCREW,OL GR SH	2	
16	25350-44A00	STOPPER GEAR SHIFT CAM(GD,GA-F)	1	
17	09111-06019	BOLT,GEAR SHIFT CAM STOP	1	

18	08211-06141	WASHER,GEAR SHIFT CAM	1
19	09440-11016	SPRING GEAR SHIFT CAM STOP	1
20	09443-08044	SPRING GEAR SHIF CAM STOP	1
21	09223-04001	HOOK,GEAR SHIFT CAM	1
22	25351-30010	STOPPER,GEAR SHIFT CAM N.	1
23	25381-45400	PLATE,GEAR SHIFT CAM STOPPER	1
24	04221-04069	PIN,GEAR SHAFT CAM	1
25	09247-14026	PLUG,BOLT	1
26	09168H14003	GASKET,OIL CHECK PLUG (SB)	1
27	25510-05400	SHAFT SET,GEAR SHIFT (TN,RG)	1
28	09180-12068	SPACER,SHAFT GEAR SHTG	1
29	09444-26013	SPRING	1
30	25671-01000	STOPPER,GR SHIFT	1
31	09285-12002	OIL SEAL,GEAR SHIFT (GV250)	1
32	25600HG5802	LEVER ASSY,GEAR SHIFT CAM (RX)	1
33	25652HG5800	RUBBER,GEAR SHIFT (RX)	1
34	37720HM5401	SWITCH ASS'Y,GEAR SHIFT(RT125)	1
34~1	37720HM5402	SWITCH ASS'Y,GEAR SHIFT(RT125)	1
35	09280-26003	O/RING,GEAR SHIFT SWITCH	1
36	02112-95208	SCREW	2
37	09209-05011	CONTACT,GEAR S SWITCH	1
38	09440-04010	SPRING,GEAR SWITCH	1
39	01104-06208	BOLT,TENSIONAL ADJUSTER	1

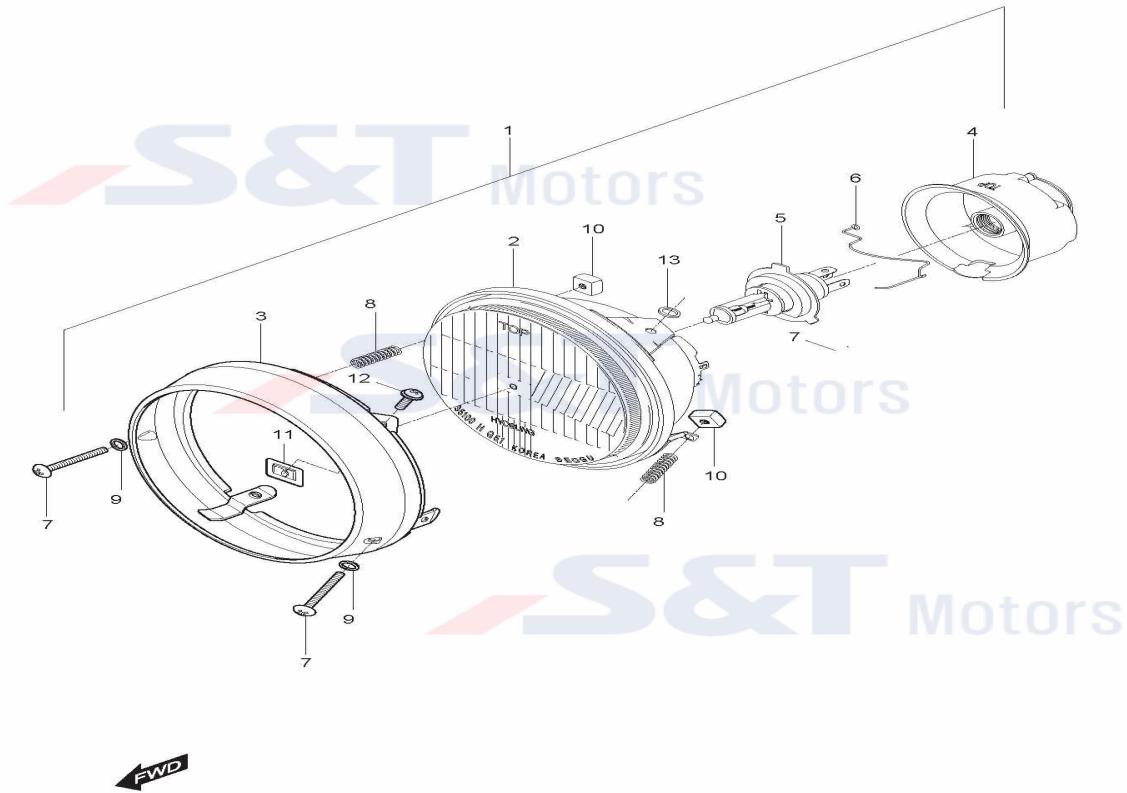


SEQ	PART CODE	PART NAME	U/S	REMARK
1	56110HG5856PAM	HANDLE BAR (RX125)	1	
2	56172HG5800HAS	PAD CROSSBAR (RX)	1	
3	09407-18401	CLAMP,WIRING HARNESS	2	
4	56211-272A0	CLAMP,HANDLE HOLDER	2	
5	01517-08355	BOLT,HANDLE BAR HOLDER (RX)	4	
6	56500HM5450	MIRROR ASS'Y,REAR VIEW R(GT125)	1	
7	56600HM5450	MIRROR ASS'Y,REAR VIEW L(GT125)	1	
8	58200HM5401	CABLE ASS'Y,CLUTCH (RT125)	1	
9	58300HM5402	CABLE ASS'Y,THROTTLE (RT125)	1	
10	58410HM5402	CABLE COMP,STARTER (RT125)	1	
11	09200-06004	PIN,CLUTCH	1	
12	04111-20158	COTTER PIN	1	
13	09407-14403	CLAMP,STRNINER(125MM) (EZ)	2	
14	56271HF4501PLT	BALANCER HANDLE BAR (GPS)	2	
15	07110-08258	BOLT,FRAME JOINT	2	
16-1	56501HM5450	MIRROR SET□□□ (RT125)	1	



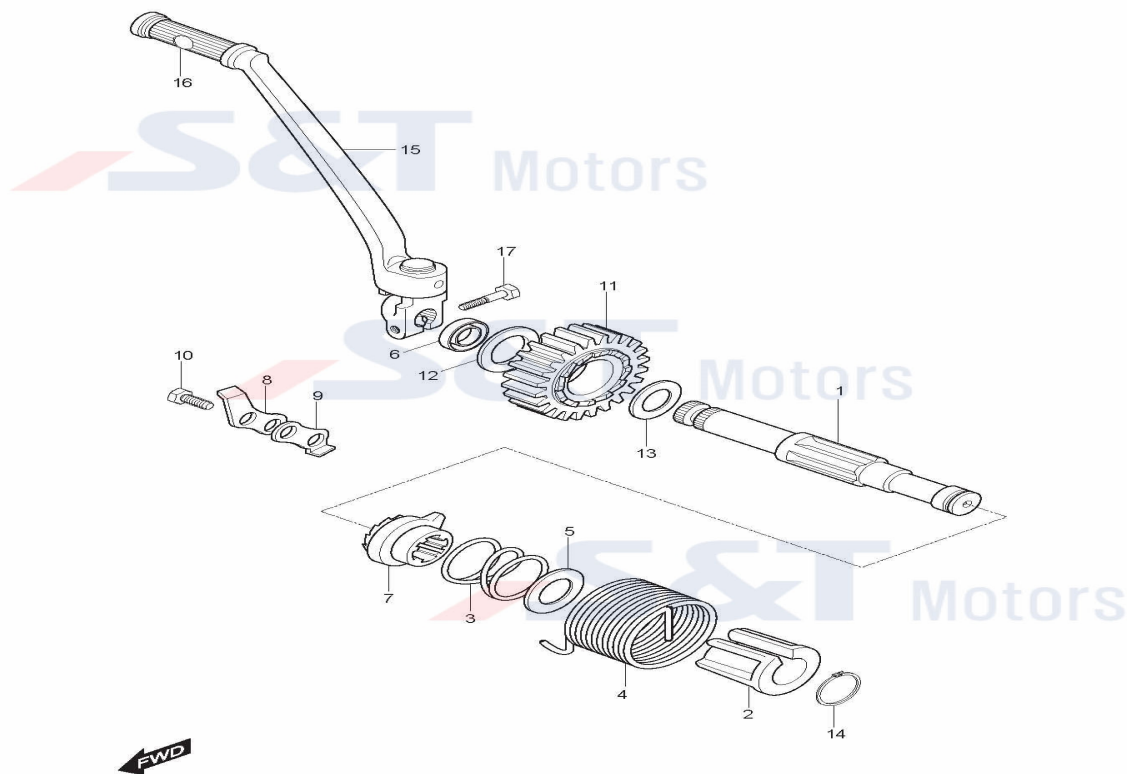
SEQ	PART CODE	PART NAME	U/S	REMARK
1	57211HG5800	GRIP, LH (RX)	1	
2	57110HG5803	GRIP COMP, THROTTLE (RX)	1	
3	37200HM5451	SWITCH ASS'Y, HANDLE R (RT125)	1	
3-1	37200HM5401	SWITCH ASS'Y, HANDLE R (RT125)	1	ST
4	57421HN3202	BRAKE LEVER (GT250)	1	
5	02112-05455	SCREW, MAGNETO COVER (GPS12)	1	
6	37400HM5400	SWITCH ASS'Y, HANDLE L (RT125)	1	
7	02112-05105	SCREW, FRONT FORK COVER	1	
8	02112-05205	SCREW, LICENSE LAMP (GT650RN)	2	cor. 02112-05208
8-1	02112-05208	SCREW, CARBURETOR INSPECTIO CAP	2	
9	57431H05D00	SCREW BRAKE LEVER PIVOT(GT250P)	1	
10	08319-21065	NUT, BRAKE LEVER	1	
11	57460-17C00	SWITCH ASS'Y STOP (AG,SB)	1	
12	02112-74108	SCREW	1	
13	57620HM8100	LEVER CLUTCH (GT250)	1	
14	57511HG5800	HOLDER, CLUTCH LEVER (RX)	1	
15	57431H05D00	SCREW BRAKE LEVER PIVOT(GT250P)	1	

16	08319-21065	NUT,BRAKE LEVER	1
17	57451HG5800	BOLT,CLUTCH LEVER HOLDER(RX125	1
18	57442H93B00	LOCK NUT	1
19	57441H93B00	WIRE ADJUSTER (GA)	1
20	57661HJ8200	COVER,CLUTCH LEVER (GV250)	1
21	57500HG5800	LEVER ASS'Y,CLUTCH (RX)	1
21-1	57500HG5801	LEVER ASS'Y,CLUTCH (RX)	1 [2011/8/11]

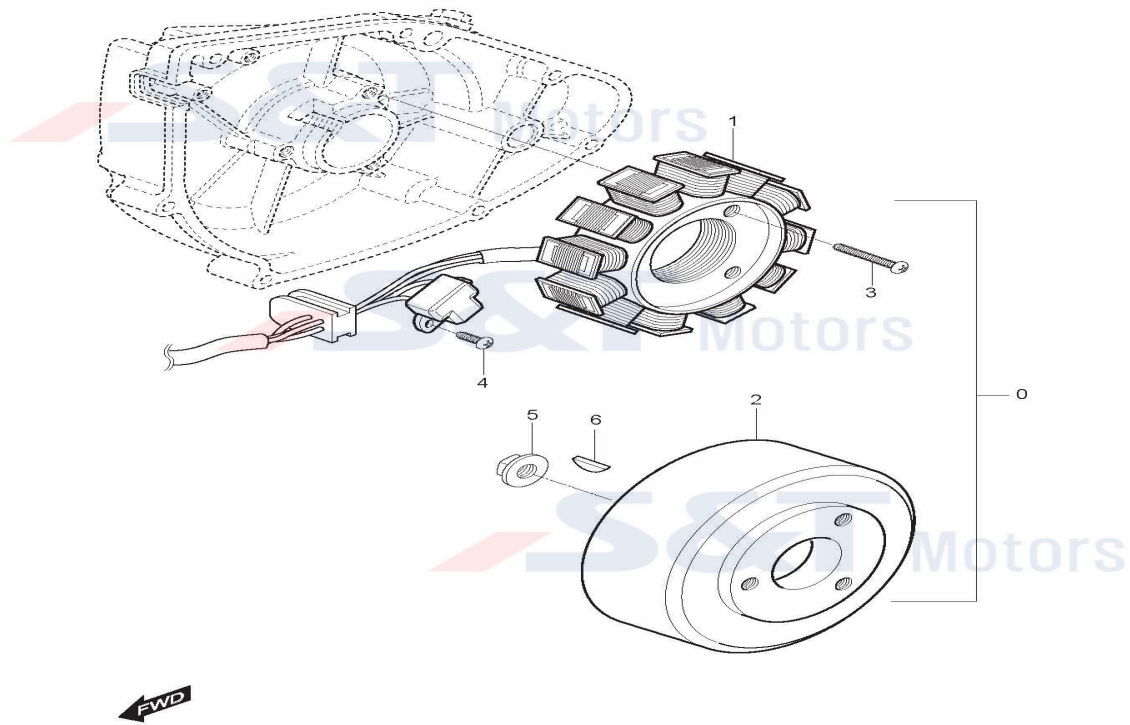


SEQ	PART CODE	PART NAME	U/S	REMARK
1	35100HG5150	HEAD LAMP ASS'Y(ECE□□□(GV	1	SMALL SIZE
1-1	35100HM8162	HEAD LAMP ASS'Y (GV250)	1	FOR SA
1-2	35100HM2900	HEAD LAMP ASSY (MS2-50)	1	ST
2	35120HG5100	REFLECTOR COMP (GV125)	1	
3	35111HG5100	RIM HEAD LAMP (GV)	1	N/A
4	35173H93B00	COVER,HEAD LAMP	1	
5	09471-12101	BULB,HD LAMP(H4:35/35W) (GA125)	1	
6	35175H93B00	SPRING,BULB SOCKET (GT250)	1	
7	35151HG5800	SCREW,HEAD LAMP AIMING (RX)	2	
8	35154-48510	SPRING,HEAD LAMP	2	
9	35128H93B00	WASHER,AMMING (GV125)	2	
10	35152-48510	NUT,HEAD LAMP	2	
11	35135-12610	NUT,HEAD LAMP	1	
12	02112-05088	SCREW,MAGNET INSPECTION	2	
13	35136HG5800	WASHER,AIMMING (GV125)	2	

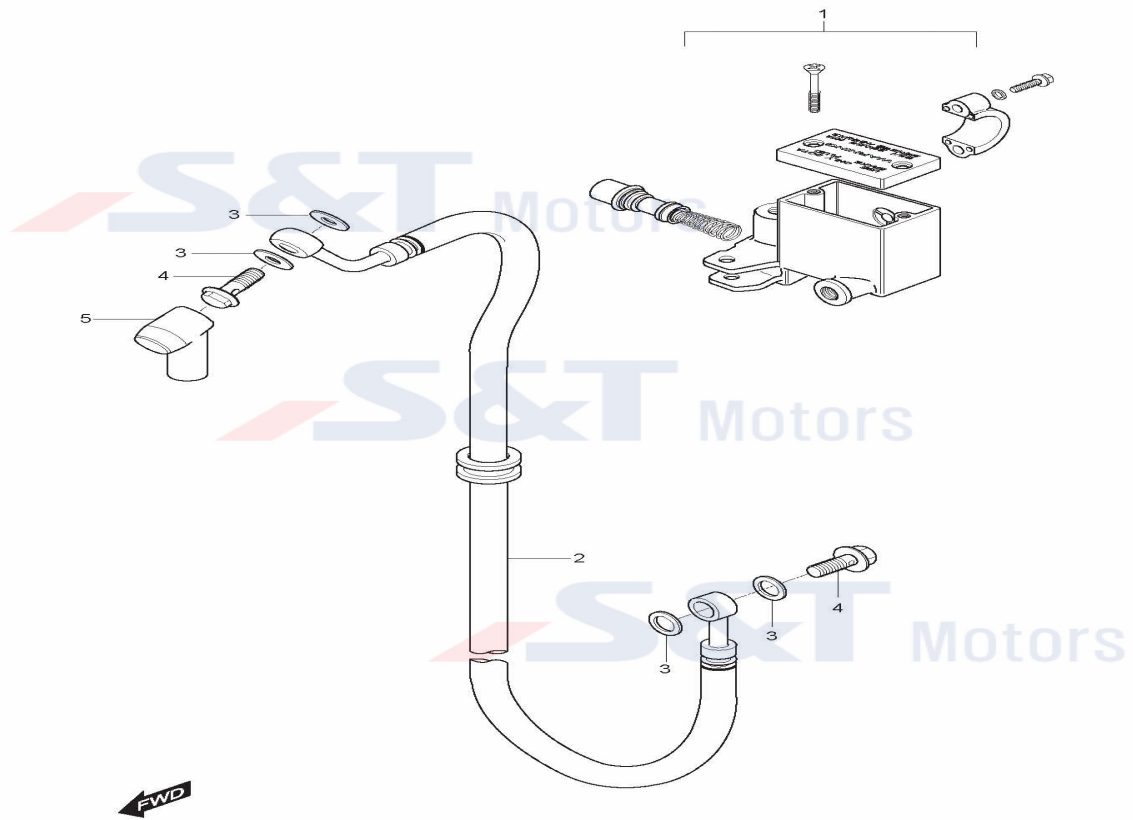




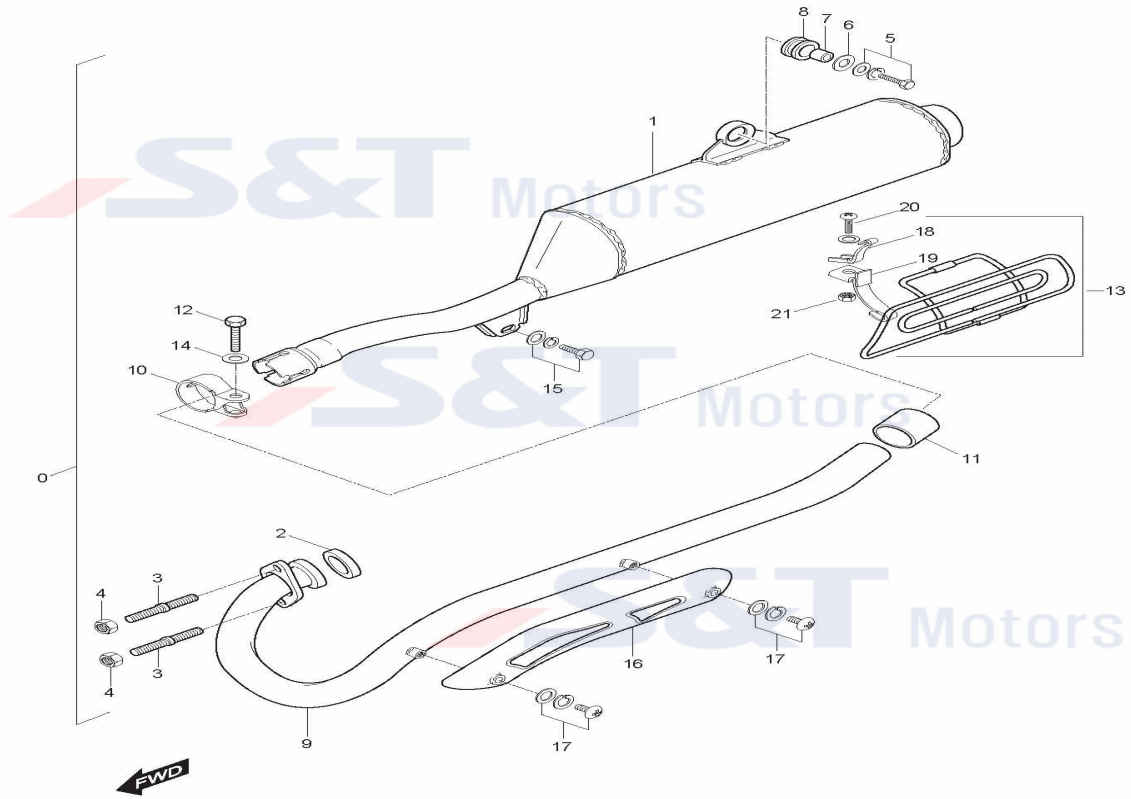
SEQ	PART CODE	PART NAME	U/S	REMARK
1	26211HM5400	SHAFT,KICK STARTER (RT125)	1	
2	26221-05200	GUIDE,KICK STARTER SHAFT	1	
3	09440-32006	SPRING,KICK STARTER	1	
4	09448-45003	SPRING,KICK STARTER SHAFT	1	
5	08211-17341	THRUST WASHER OVER RUN	1	
6	09285-16003	OIL SEAL,KICK STARTER,SH	1	
7	26231-38200	STARTER,KICK (TN,RG,GS)	1	
8	26232-38200	GUIDE,KICK STARTER (TN,RG,GS)	1	
9	26233-32400	STOPPER,KICK STARTR(TN,RG,GS)	1	
10	01107-08208	BOLT,KICK STARTER STOPPER	1	
11	26240-05201	GEAR,KICK START DRV(TN,RG,GS)	1	
12	09160-16003	WASHER,KICK START	1	
13	08211-20261	WASHER,KICK DRIVE GEAR	1	
14	09380-17001	CIRCLIP,3RD GEAR	1	
15	26300HG5802	LEVER ASS'Y,KICK STARTER (RX)	1	
16	26352HE6100	RUBBER KICK PEDAL (FX)	1	
17	01107-08258	BOLT,REAR SPROCKET	1	



SEQ	PART CODE	PART NAME	U/S	REMARK
0	32100HM5400	MAGNETO ASS'Y (RT125)	1	
1	32101HM5400	STATOR (RT125)	1	
2	32102HG5800	ROTOR ASSY (RX)	1	
3	02112-05258	SCREW,ENGINE SPROCKET COVER	3	
4	02112-05128	SCREW,GEAR SHIFT SWITCH	2	
5	08316-26108	NUT,MAGNET FLY WHEEL (SD)	1	
6	08341-31039	KEY,PRIMARY GEAR MAG	1	

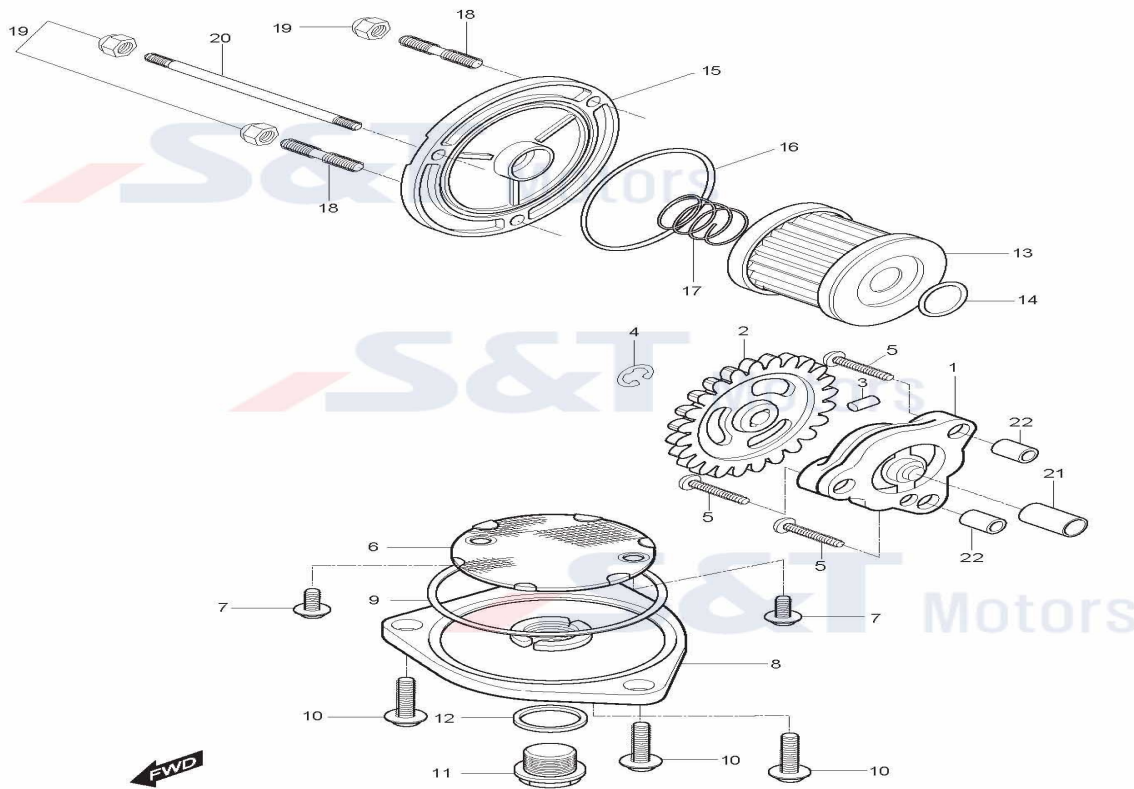


SEQ	PART CODE	PART NAME	U/S	REMARK
1	59600-35C03	CYL ASS'Y,FRONT MASTER (GD)	1	cor. 59600HM8182
1-1	59600HM8182	CYL ASS'Y,FRONT MASTER (GT)	1	
2	59480HM5402	HOSE COMP,FRONT BRAKE (RT125)	1	
3	09161-10009	WASHER,BRAKE FLUID (FX)	4	
4	09360-10039	BOLT BRAKE FLUID (AG)	2	
5	59711H49002	BOOT,MASTER CYLINDER (TN,GA,GD)	1	



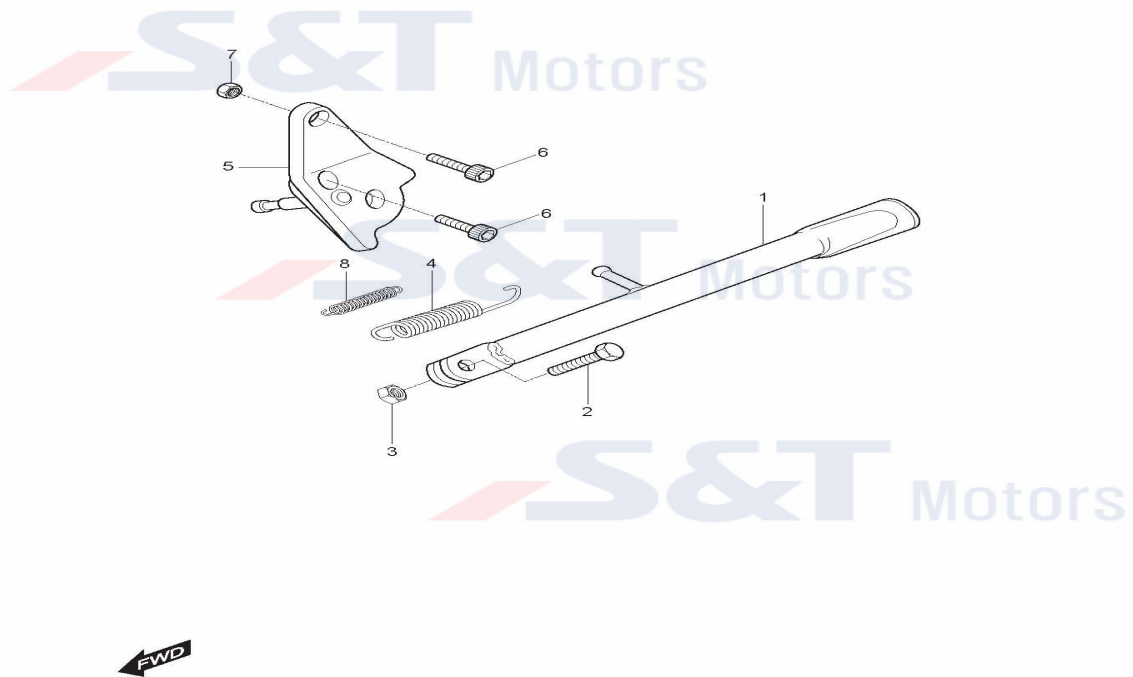
SEQ	PART CODE	PART NAME	U/S	REMARK
1-1	14310HM5403HPA	BODY COMP,MUFFLER (RT125)	1	
1	14310HM5403PAM	BODY COMP,MUFFLER (RT125)	1	
2	14181-17C00	GASKET,EXHAUST PIPE (RX)	1	
3	01421-08258	STUD BOLT,EXHAUST PIPE (FX)	1	
3-1	01421-08258	STUD BOLT,EXHAUST PIPE (FX)	1	
4	08316-26086	NUT	1	
5	09118H08041	BOLT,MUFFLER 2ND	1	
6	09160-08004	WASHER	1	
7	09180H08102	SPACER	1	
8	09320-12026	CUSHION,MUFFLER SUPPORT FRONT	1	
9	14150HM5401PAM	PIPE COMP,EXHAUST (RT125)	1	
9-1	14150HM5401HPA	PIPE COMP,EXHAUST (RT125)	1	=14150HM5401PAH
10	14770HG5803PAM	CONNECTOR COMP,EXHAUST PIPE	1	=17770HG5802PAM
11	14773HG5800	GASKET,CONNECTOR EXHAUST PI(RX)	1	
12	01517-08468	BOLT E/G M.T.G UPPER (GV650)	1	
13	14760HM5401	PROTECTOR MUFFLER BODY (RT125)	1	
14	08322-21088	WASHER,WHEEL	1	

15	01187-08168	BOLT,FRONT FOOTREST	1
16	14186HG5801PAM	COVER,EXHAUST (RT125)	1
17	02112-35088	SCREW,BAFFLE PIPE	2
18	14765HG5801	CLAMP MUFFLER PROTECTOR UPP(RX	1
19	14764HG5801	CLAMP MUFFLER PROTECTOR LOW(RX	1
20	01517-08468	BOLT E/G M.T.G UPPER (GV650)	1



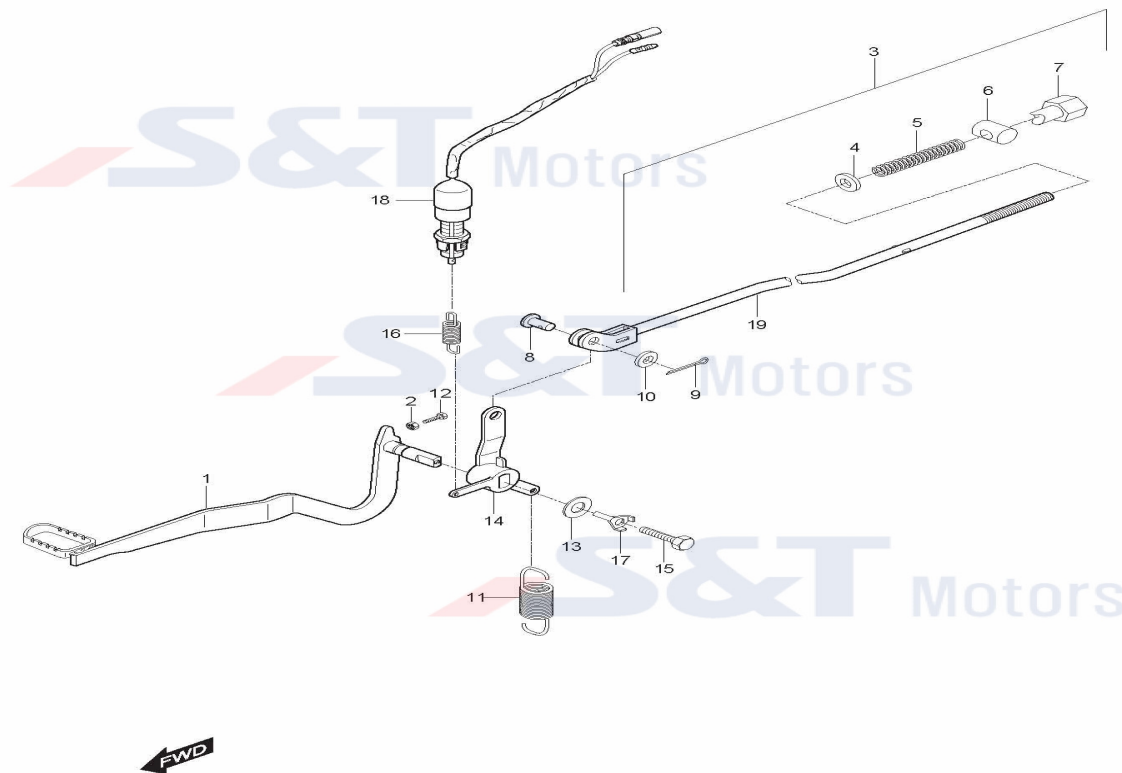
SEQ	PART CODE	PART NAME	U/S	REMARK
1	16400HF4600	OIL PUMP (GF)	1	
2	16331H93B00	GEAR OIL PUMP DRIVEN	1	
3	09261-02008	PIN,OIL PUMP DRIVEN	1	
4	08332-11069	CIRCLIP,OIL PUMP DRIVE GEAR	1	
5	02112-06258	SCREW (GV650)	3	
6	16520-05202	STRAINER,ENG OIL	1	
7	02112-95126	SCREW,ENGINE OIL STATER	2	
8	16523-05200	CAP,OIL STRAINER	1	
9	09280-60005	O/RING,OIL STRAINER CAP	1	
10	01547-06208	BOLT,OIL STRAINER CAP	3	
11	09247-14019	PLUG,OIL DRAIN (GT650)	1	
12	09168H14003	GASKET,OIL CHECK PLUG (SB)	1	
13	16510-05240HAS	FILTER,ENGINE OIL (TN,RG,GS)	1	
14	09280-13004	O/RING,OIL FILTER	1	
15	16512HG5801121	CAP,OIL FILTER□□ (RT125)	1	
16	09280-54001	O/RING,OIL FILTER CAP	1	
17	09440-18002	SPRING,OIL FILTER CAP	1	
18	01421-06128	STUD BOLT,OIL FIL	2	

19	08313-11068	NUT	3
20	01421-06958	STUD BOLT,CYLINDER	1
21	16419HG5100	BUSH,OIL PUMP (GV)	1
22	09206-08001	PIN,MAGNET COVER (GT&GV)	2



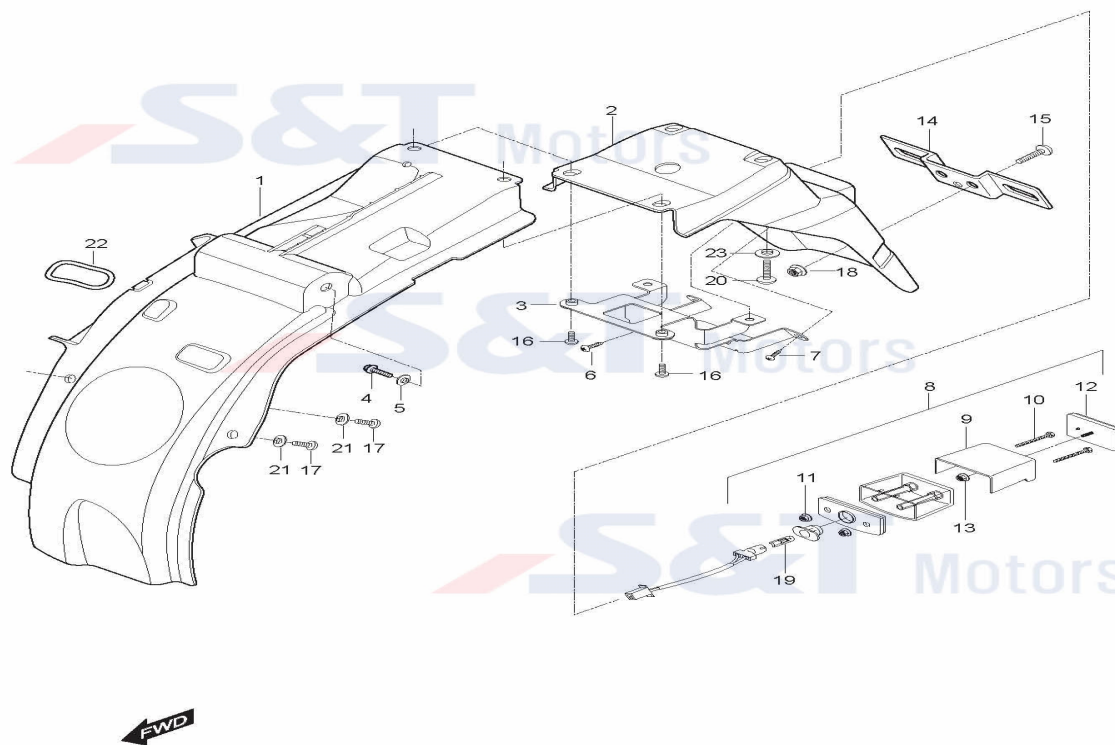
SEQ	PART CODE	PART NAME	U/S	REMARK
1	42310HM5450120	STAND COMP,PROP (RT125)	1	
2	09100-10031	BOLT,PROP STAND (GT250RN)	1	
3	08310-22108	NUT	1	
4	09443H14037	SPRING,PROP STAND (SCOOTER	1	
5	42340HG5801PAM	BRACKET,PROP STAND (RT125)	1	
6	07110-08258	BOLT,FRAME JOINT	2	
7	08319-31088	NUT,PILLION FOOTREST	2	
8	09443-06001	SPRING,PROP STAND INN(SB-FN02)	1	





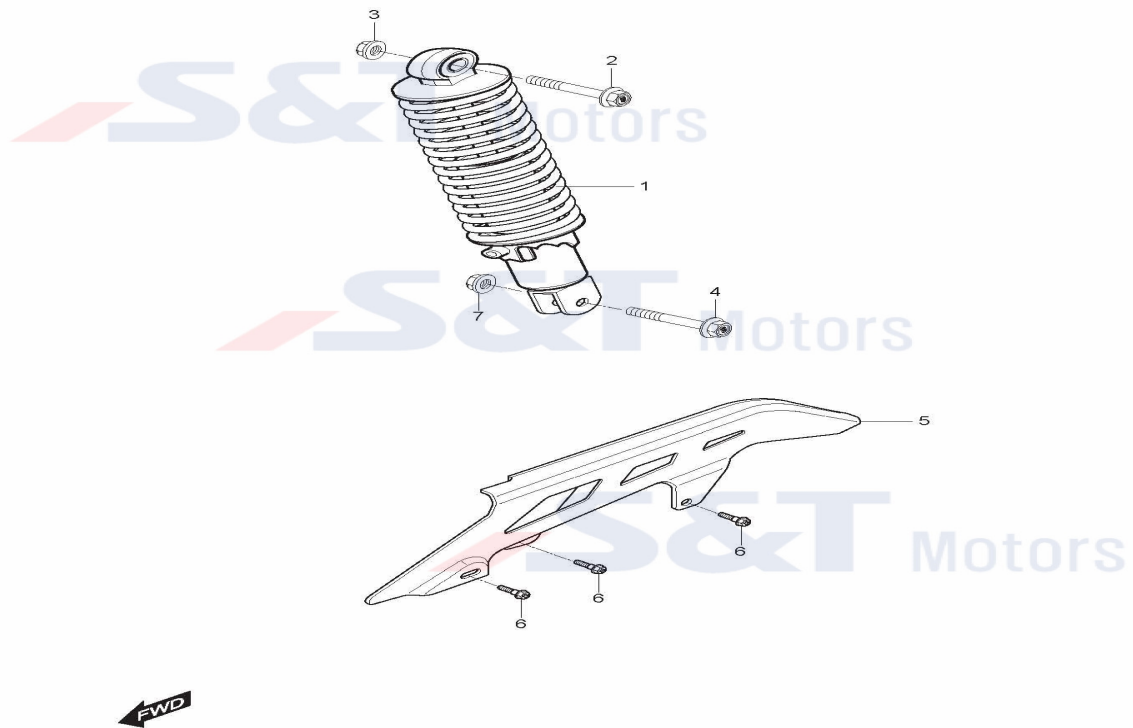
SEQ	PART CODE	PART NAME	U/S	REMARK
1	43100HM5401120	PEDAL,BRAKE (RT125)	1	
2	08310-11068	NUT	1	
3	43300HM5401	ROD ASS'Y,REAR BRAKE (RT125)	1	
4	08322-21068	WASHER HEAD LAMP AIMING	1	
5	09440-09013	SPRING,BRAKE ROD	1	cor. 09440-090B3
5-1	09440-090B3	SPRING,BRAKE ROD	1	
6	09209-11006	PIN,BRAKE ROD	1	
7	09150-06009	NUT,REAR BRAKE ROD	1	
8	09200-06013	PIN,REAR BRAKE ROD	1	
9	04111-20208	COTTER PIN	1	
10	08322-21068	WASHER HEAD LAMP AIMING	1	
11	09443H14025	SPRING BRAKE PEDAL RETURN (GD)	1	
12	01104-06208	BOLT,TENSIONAL ADJUSTER	1	
13	09160-06012	WASHER BRAKE PEDAL (GSX)	1	
14	43123HG5802	ARM,BRAKE ROD (RX)	1	
15	01107-06168	BOLT,RELEASE ARM (GT250RN)	1	
16	09443H06006	SPRING STOP LAMP SWITCH (GA)	1	
17	43129-35C00	WASHER LOCK (GSX-R)	1	

18	37740H93B00	SWITCH ASS'Y BRAKE LAMP (GA)	1
19	43300HM5401	ROD ASS'Y,REAR BRAKE (RT125)	1

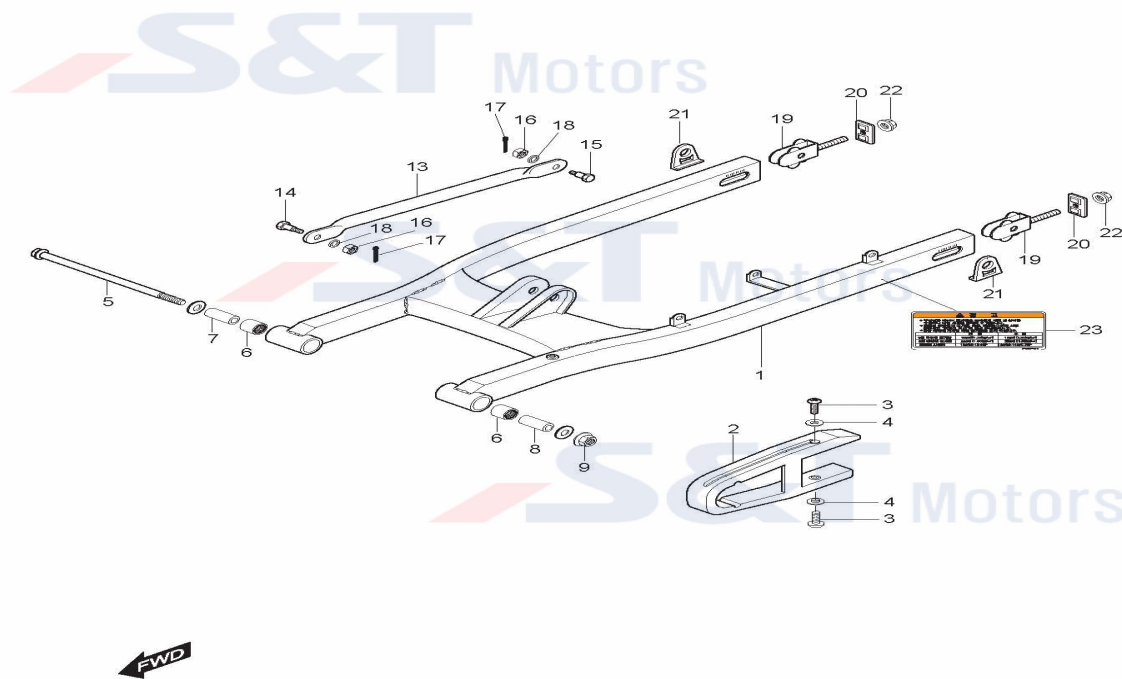


SEQ	PART CODE	PART NAME	U/S	REMARK
1	63112HM5402	REAR FENDER FRONT (RT125)	1	
2	63113HM5401	REAR FENDER,REAR (RT125)	1	
3	63120HM5400	BRACE COMP,REAR FENDER (RT125)	1	
4	01517-08168	BOLT REAR AXLE BRI HOUSING	2	
5	08322-11088	WASHER	2	
6	02142-06166	SCREW,BATTERY HOLDER (GV)	2	
7	02142-06126	SCREW UPPER CABLE GUIDE NO1(GV)	2	
8	35910HM5400	LAMP ASS'Y,LICENSE (RT125)	1	
9	35915HG5800	COVER,LICENSE LAMP (RX)	1	
10	01107-05605	BOLT,LICENSE LAMP (GV650)	2	
11	08316-26055	NUT,FRONT TURN SIGNAL LAMP	2	
12	35970-17303	REFLEX,REFLECTOR ASS'Y,REAR(FX)	1	
13	08316-26055	NUT,FRONT TURN SIGNAL LAMP	1	
14	35927H44430	BRACKET,LICENSE PLATE (GPS)	1	
15	02142-06165	SCREW,LEG SHIELD LOWER(GT250RN)	2	
16	02142-06206	SCREW,TAIL COVER SEAT	2	
17	02142-06166	SCREW,BATTERY HOLDER (GV)	2	

18	08316-16068	NUT (GV650)	2
19	09471-12210	BULB,POSITION LAMP(12V 5W)(GV2	1
19-1	09471H12110	BULB,POSITION LAMP (12V 5W)	1 [2011/3/4]
20	02142-06166	SCREW,BATTERY HOLDER (GV)	2
21	09169-06032	WASHER,REAR FENDER (GD)	2
22	09280-63003	BAND TOOL	1
23	09169-06032	WASHER,REAR FENDER (GD)	2

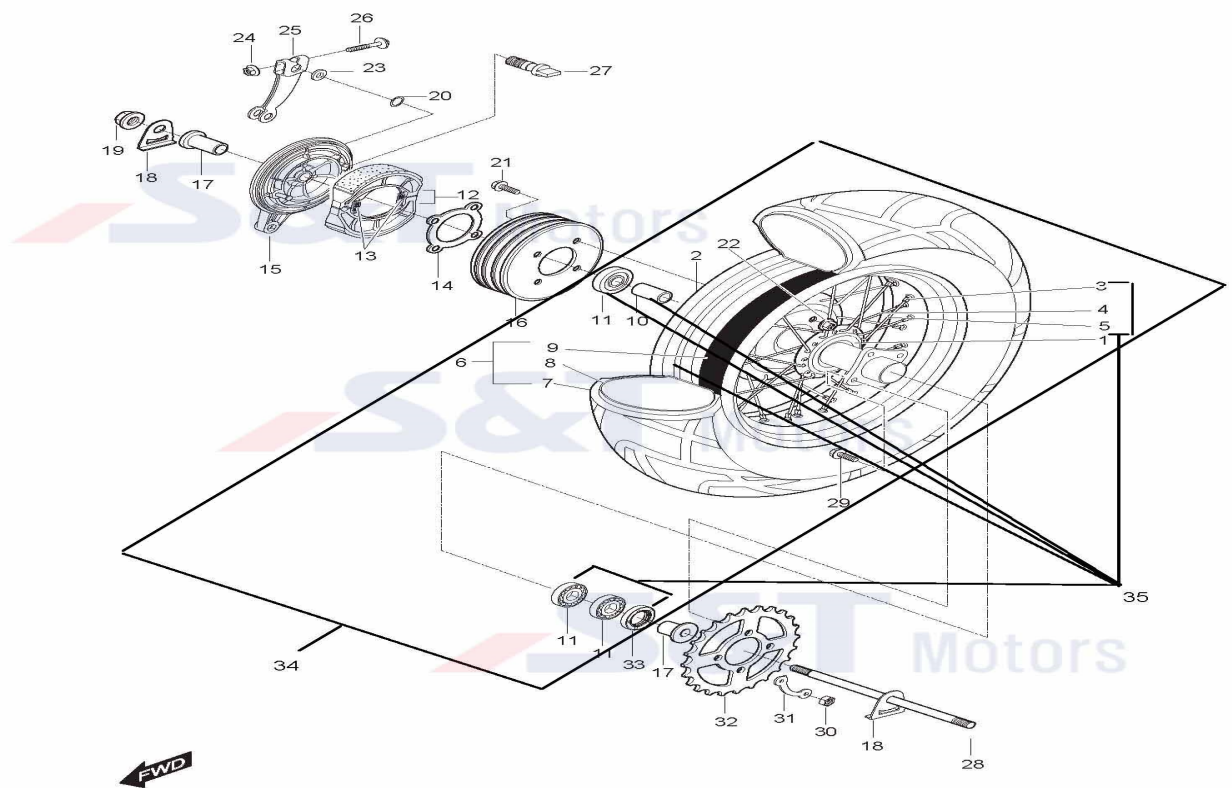


SEQ	PART CODE	PART NAME	U/S	REMARK
1	62100HM5403	REAR SHOCK ABSORBER ASSY(RT125)	1	
2	09103H10101	BOLT,HANDLE BAR SET (EZ)	1	
3	08319-31108	NUT,FRONT SORBER	1	
4	09103H10101	BOLT,HANDLE BAR SET (EZ)	1	
5	61311HG5802	CHAIN CASE (RX125)	1	
6	09111H06066	BOLT CHAIN CASE (GD)	3	
7	08319-31108	NUT,FRONT SORBER	1	



SEQ	PART CODE	PART NAME	U/S	REMARK
1	61100HM5409HPA	REAR SWINGARM ASS'Y (RT125D)	1	
2	61273HG5802	BUFFER,CHAIN TOUCH DEFENSE(RX)	1	
3	02142-06165	SCREW,LEG SHIELD LOWER(GT250RN)	2	
4	09169H06011	WASHER	2	
5	61211HM5400	SHAFT,REAR SWINGARM PIVOT(RT12)	1	
6	09263-20073	BEARING RR SWINGARM PIV (GD)	2	
7	09180H14004	SPACER,REAR SWING ARM PIVOT(RT)	1	
8	09180H14005	SPACER,REAR SWINGARM PIVOT(RT)	1	
9	09159H14008	NUT,REAR AXLE	1	
10	09283-20031	SEAL,REAR CUSHION ROD (RX)	2	
11	09263H20002	BEARING,CRANK PIN (TE,EZ)	2	
12	09180H14001	SPACER,REAR CUSH ROD (RX)	1	
13	64310HM5450	TORQUE LINK (RT125)	1	
14	09111-08012	BOLT	1	
15	09111-08013	BOLT	1	
16	09140-08008	NUT	2	

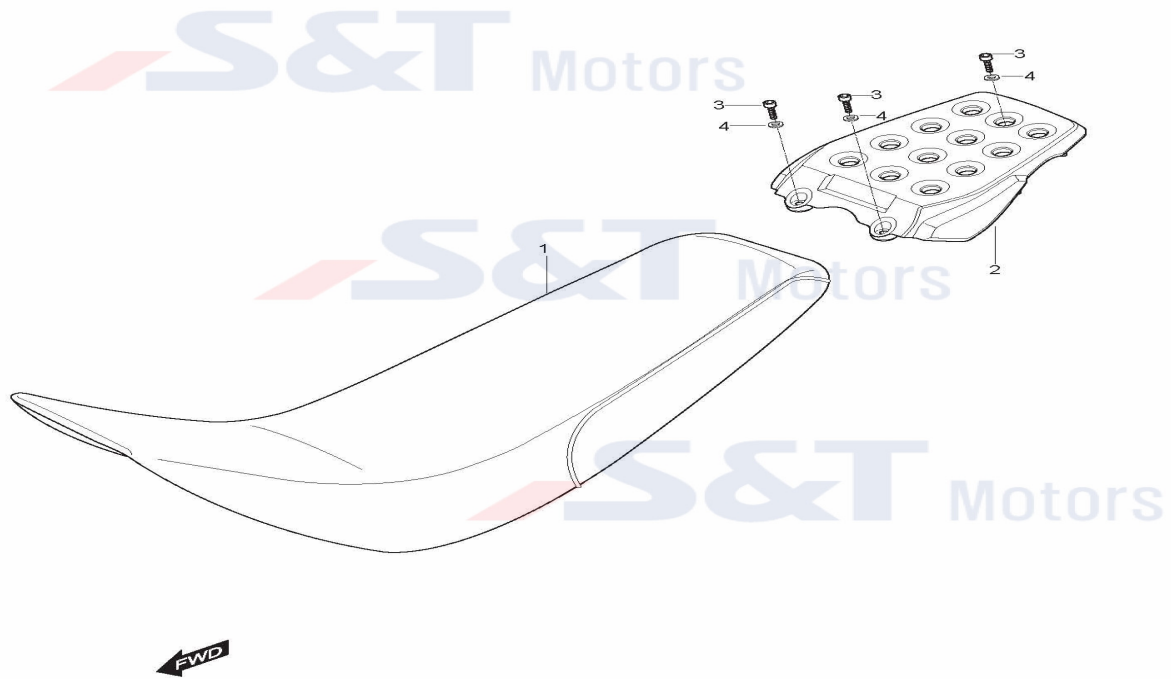
17	04111-20208	COTTER PIN	2
18	08321-31088	LOCK WASHER	2
19	61410HM5400	ADJUSTER COMP,CHAIN (RT125	2
20	61421HG5800	PLATE CHAIN ADJUSTER GUIDE(RX)	2
21	64712HM5400	WASHER,CHAIN ADJUSTER (RT125)	2
22	08319-31088	NUT,PILLION FOOTREST	2
23	68320HM5450PL	LABEL,CHAIN CASE□□ (RT125)	1



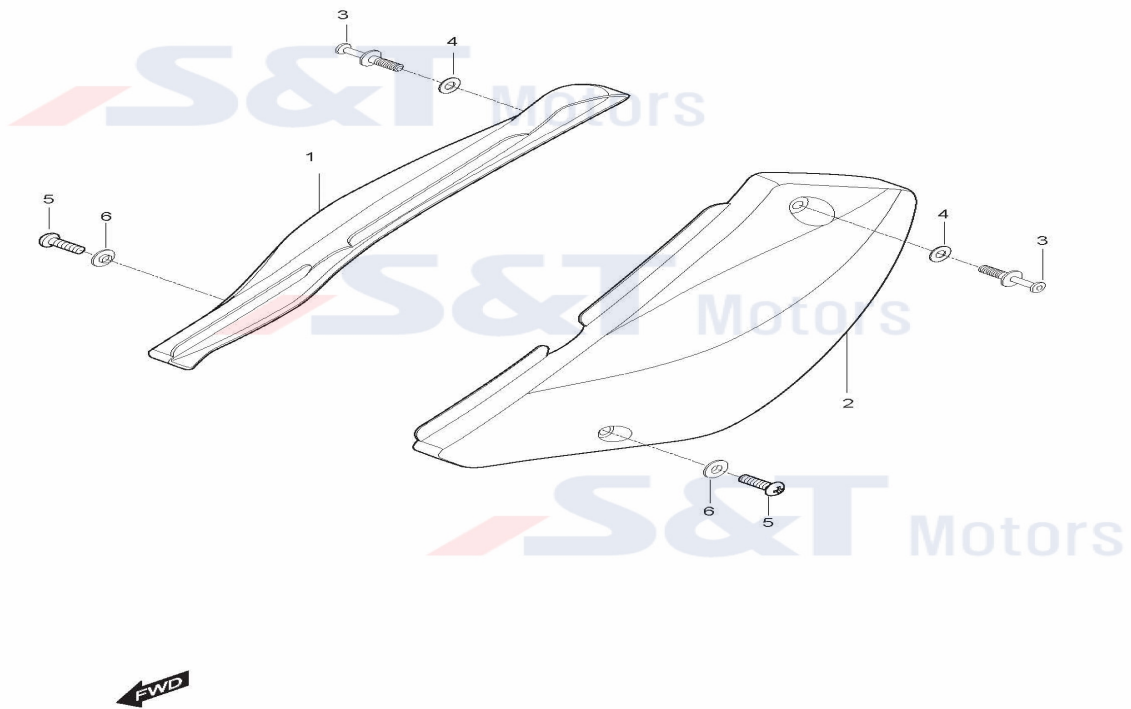
SEQ	PART CODE	PART NAME	U/S	REMARK
1	64110HM5402PAM	HUB COMP,REAR (RT125)	1	
2	65311HM5401	RIM,RR WHEEL(MT4.50*14 M/C)(RT	1	
3	65325HM5400	NIPPLE,WHEEL SPOKE (RT125	36	
4	65321HM5400	SPOKE,REAR WHEEL R INNER(RT125	9	
4-1	65323HM5400	SPOKE,REAR WHEEL R OUTER(RT125	9	
5	65322HM5400	SPOKE REAR WHEEL L INNER(RT125	9	
5-1	65324HM5400	SPOKE,REAR WHEEL L OUTER(RT125	9	
6	65100HM5400	TIRE COMP,REAR (RT125)	1	
7	65200HM5400	TUBE WHEEL INNER (RT125)	1	
8	65261HM5400	PROTECTOR,FRONT WHEEL INN (RT)	1	
9	64730HM5400	SPACER,REAR HUB BEARING (RT125	1	
10	08133-62037	BEARING,REAR HUB R/L (RT125	3	
11	08133-62037	BEARING,REAR HUB R/L (RT125	1	
12	64400H93B03	SHOE COMP,BRAKE (GV125CN)	1	=64400S93B03HAS
13	09443H10003	SPRING,REAR BRAKE SHOE (RX125)	2	
14	64621HM5402	PLATE COMP,REAR DRUM (RT125)	1	



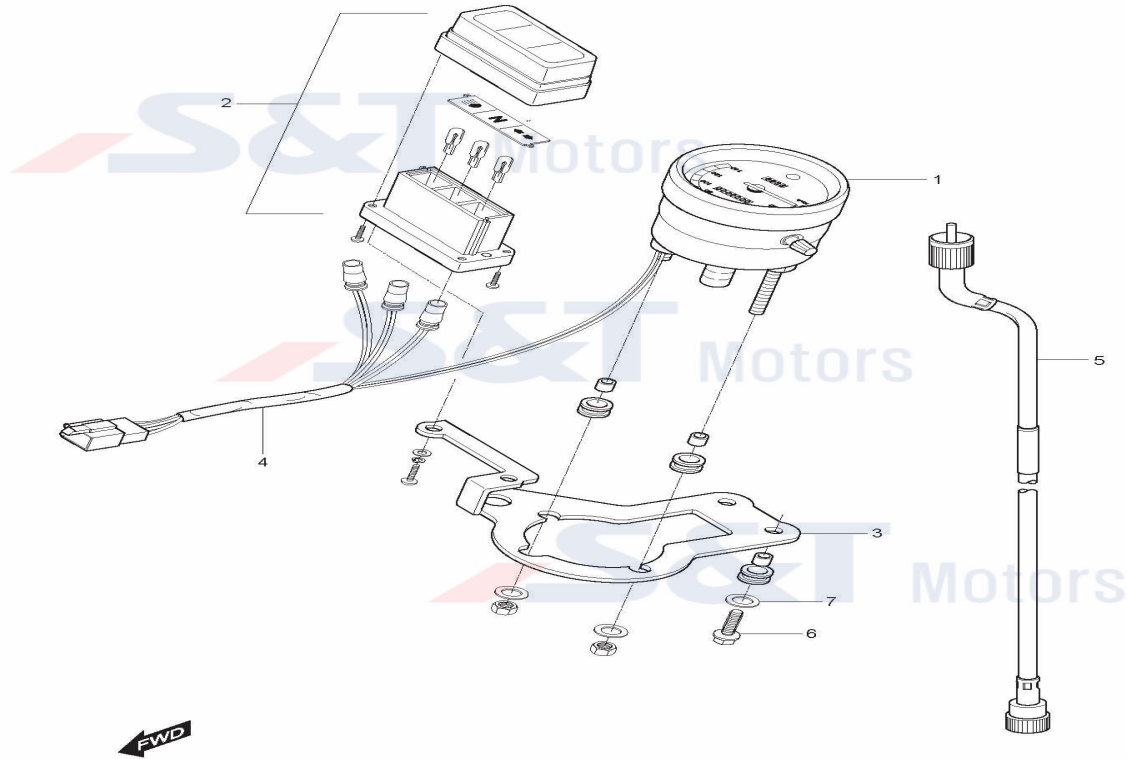
15	64200HM5402	PANEL ASSY,REAR BRAKE (RT125)	1
16	64610HM5403121	DRUM COMP,REAR HUB (RT125)	1
17	64751HM5400	SPACER REAR AXLE L (RT125)	1
18	64712HM5400	WASHER,CHAIN ADJUSTER (RT125)	2
19	09159H16002	NUT,REAR AXLE (GT250)	1
20	09280-14003	O/RING,STEERING SHAFT	1
21	09119H08060	BOLT (RT125)	4
22	08319-31088	NUT,PILLION FOOTREST	4
23	09160H14001	WASH RR BRAKE CAM DST SEAL(GA)	1
24	08316-16068	NUT (GV650)	1
25	64451-38210	LEVER REAR BRAKE CAM (GD)	1
26	01517-06358	BOLT,RR BRAKE CAM	1
27	54441-29306	CAM,REAR BRAKE (GS)	1
28	64711HM5400	AXLE,REAR (RT125)	1
29	09105H08060	BOLT,REAR SPROCKET (GF)	4
30	08310-11088	NUT	4
31	09169-08012	WASHER	2
32	64511HM5401	SPROCKET,REAR	1
33	09285-250A1	OIL SEAL REAR DRUM (FR)	1
34	64110HM5402HPA	WHEEL REAR+TIRE (RT125)	1
35	64110SM5402HPA	WHEEL REAR,HUB COMP (RT125)	1



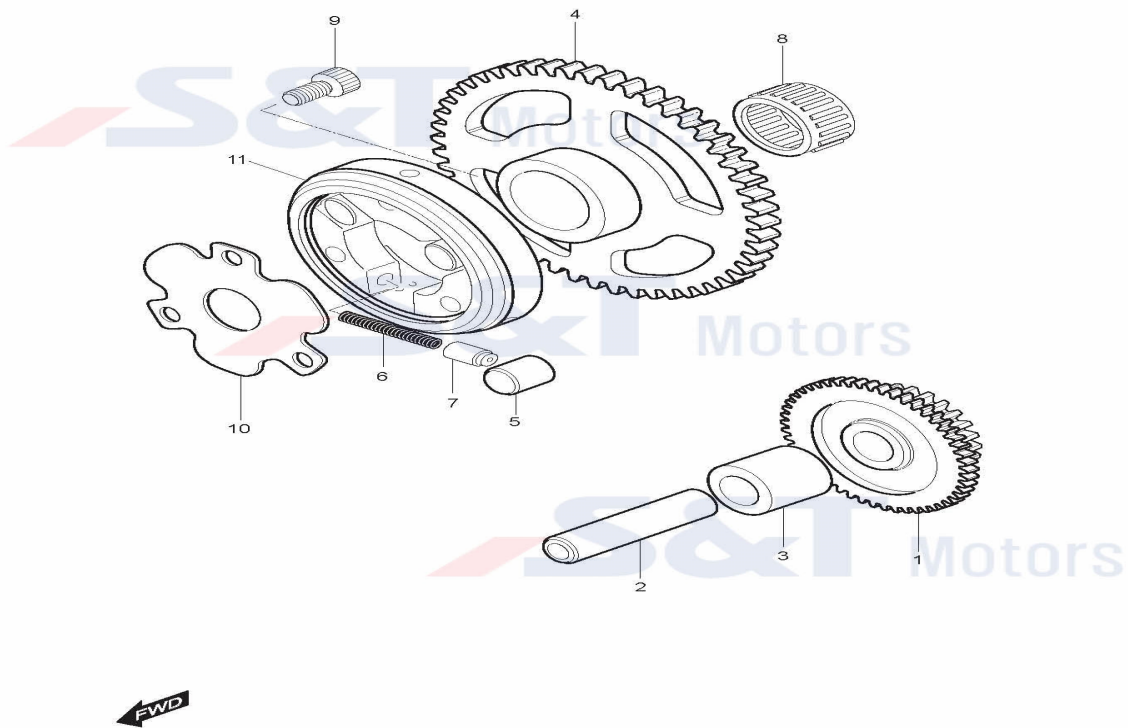
SEQ	PART CODE	PART NAME	U/S	REMARK
1	45100HM5450LO2	NULL	1	
1-1	45100HM5450LO4	NULL	1	
2	46410HM540003P	CARRIER COMP,REAR (RT125)	1	
3	07110-08258	BOLT,FRAME JOINT	3	
4	08322-11088	WASHER	3	



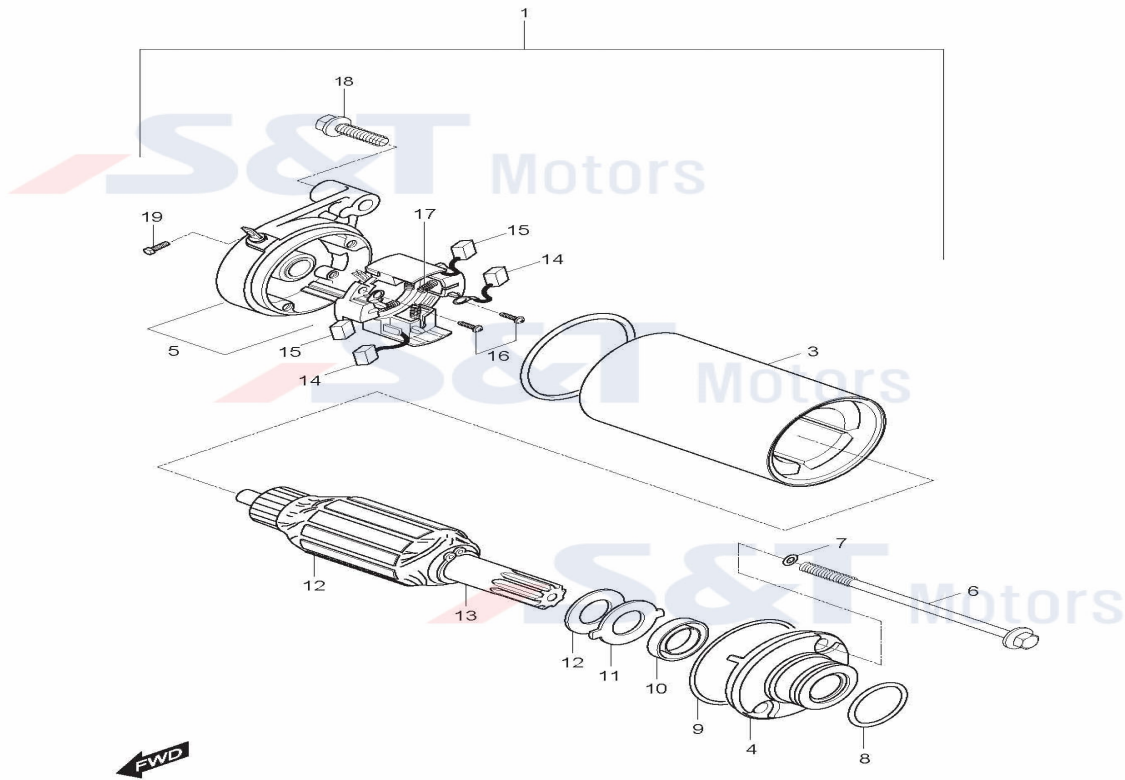
SEQ	PART CODE	PART NAME	U/S	REMARK
1	47111HM5401TLR	COVER SIDE R (RT125)	1	
1-1	47111HM5401TMO	COVER SIDE R (RT125)	1	
1-2	47111HM5401TDB	COVER SIDE R (RT125)	1	DEEP BLUE
2	47211HM54010LR	COVER SIDE L (RT125)	1	LIGHT RED
2-1	47211HM54010MO	COVER SIDE L (RT125)	1	MANGO YELLOW
2-2	47211HM54010DB	COVER SIDE L (RT125)	1	DEEP BLUE
3	47113HM8101	BOLT,LUGGAGE SUPPORT (GT250)	2	
3-1	47115HN9100	CAP,LUGGAGE SUPPORT BOLT(GT650)	2	
4	08322-11088	WASHER	2	
5	02142-06166	SCREW,BATTERY HOLDER (GV)	2	
6	09169-06034	WASHER,LEG SHIELD	2	



SEQ	PART CODE	PART NAME	U/S	REMARK
1	34100HM5450	SPEEDOMETER ASS'Y (RT125)	1	
1-1	34100HM5460	SPEEDOMETER ASS'Y (RT125)	1	FOR SA
2	39000HG5800	INDICATOR LAMP,SPEEDOMETER(RX)	1	
3	34950HG5800	BRACKET,SPEEDOMETER (RX)	1	
4	34171HM5402	NULL	1	
5	34910HM5401	CABLE ASS'Y,SPEEDOMETER(RT125)	1	
6	01107-06208	BOLT,GEAR SHIFT	2	
7	09169H06012	WASHER (RX)	1	

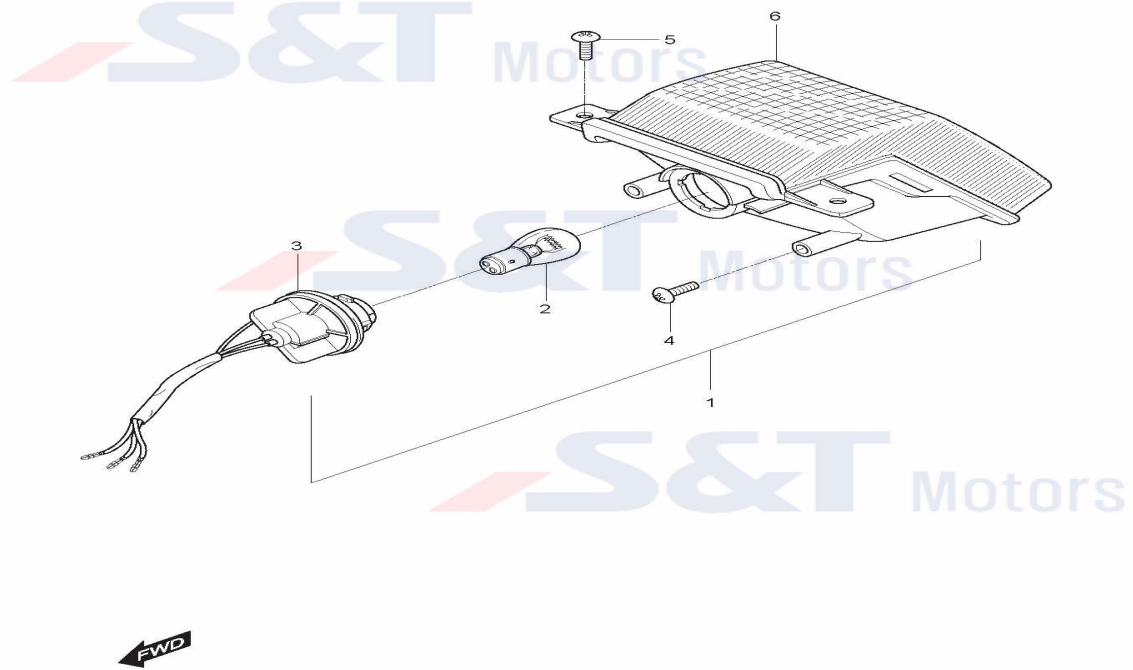


SEQ	PART CODE	PART NAME	U/S	REMARK
1	12611-05300	GEAR,STARTER IDLE (TN,RG,GS)	1	
2	09206-13003	PIN,STARTER IDLE GEAR	1	
3	09180-13006	SPACER,STARTER IDLE GEAR	1	
4	12620-05303	GEAR STARTER CLUTCH(TN,RG,GS)	1	
4-1	12620-05303HPA	GEAR STARTER CLUTCH (125CC)	1	
5	09261-10003	ROLLER,STARTER CLUTCH	3	
6	09440-03004	SPRING,STARTER CLUTCH	3	
7	12633-05300	PIECE,STARTER CLUTCH ROLL	3	
8	09263-22031	BEARING,STARTER CLUTCH GEAR	1	
9	09106-06030	BOLT,STARTER CLUTCH	3	
10	12649-05300	SHIM,STARTER CLUTCH HUB	1	
11	12630-29B00	HUB STARTER CLUTCH(TN,GS, TNX)	1	



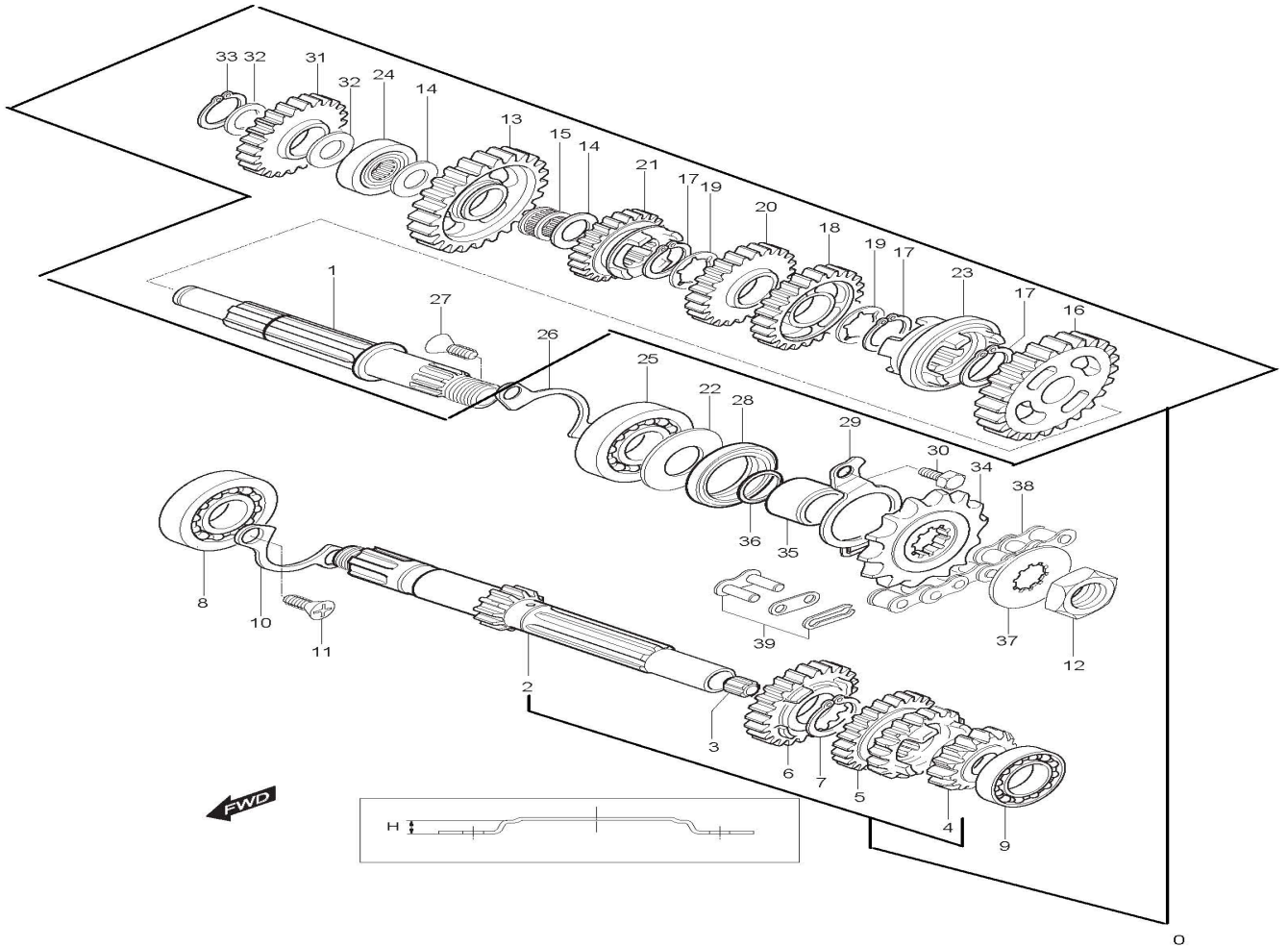
SEQ	PART CODE	PART NAME	U/S	REMARK
1	31100-42A01	MOTOR ASSY STARTING (RX125D)	1	
2	31310-11D10	ARMATURE ASSY,STARTER (GD)	1	
3	31100-05320	YOKE ASSY,STARTER(□□) (GA)	1	
4	31150-42A01	HOUSING ASSY,STARTER (GD)	1	
5	31175-42A01	FRAME ASSY,COMMUTATOR (GD)	1	
6	31281-32C10	BOLT,THROUGH (GD)	2	
7	31156-38300	O RING STARTING MOTOR	2	
8	09280-24003	O-RING,S/MOTOR(=>09280-24001)	1	cor. 09280-24001
8-1	09280-24001	O-RING,STARTER MOTOR	1	
9	31264-35C10	O-RING (GD)	2	
10	31153-49210	SEAL,OIL (GD)	1	
11	31361-32C00	PLATE,LOCK (GD)	1	
12	31361-38300	SHIM(A)	1	
13	31361-10200	SHIM ARMATURE	1	
14	31132-32C10	BRUSH SUB-ASSY,STARTER (GD)	2	
15	31131-32C20	BRUSH,STARTER (GD)	2	
16	31114-32C10	SCREW (GD)	2	
17	31135-32C10	SPRING,COMPRESSION COIL (GD)	4	

18	01547-06308	BOLT,MAGNET&CLUTCH COVER (EZ)	2
19	09137-05004	SCREW,START MOT TERM (GD,GA- F)	1



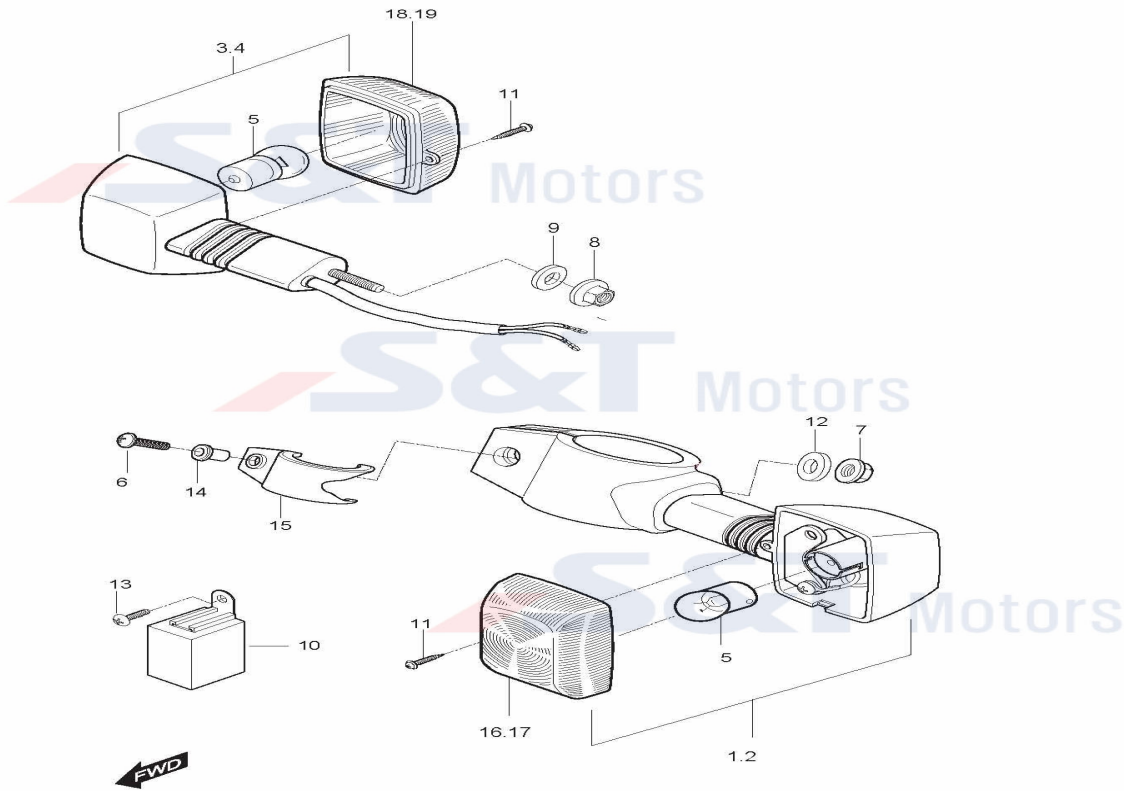
SEQ	PART CODE	PART NAME	U/S	REMARK
1	35710HM5400	LAMP ASS'Y,REAR COMBI (RT125)	1	
2	09471-12047	BULB,TAIL&STOP(12V 21/5W)(FX-3)	1	
3	35760HM5400	SOCKET COMP (RT125)	1	
4	03241-05166	SCREW,SPEEDMETER	2	
5	02142-06126	SCREW UPPER CABLE GUIDE NO1(GV)	2	
6	35712HG5800	LENS,REAR COMBI (RX)	1	





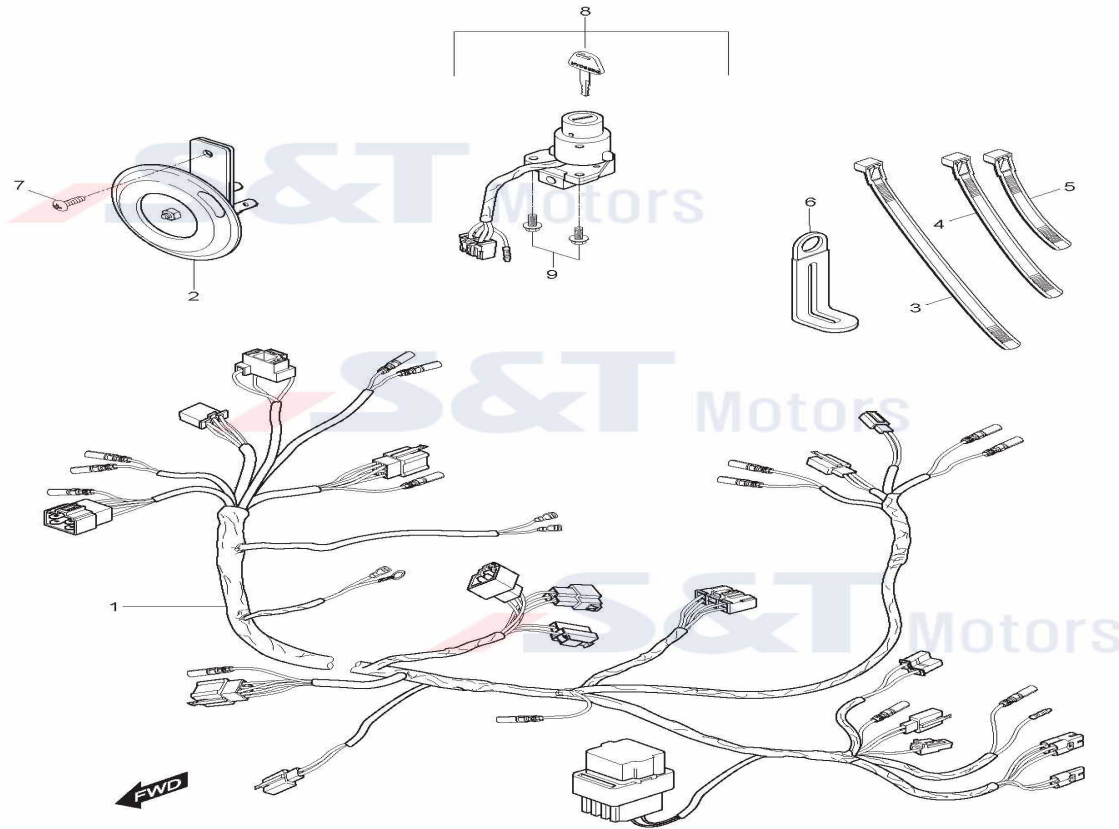
SEQ	PART CODE	PART NAME	U/S	REMARK
0	24200SM5400HPA	MISSION GEAR SET (RT125)	1	
1	24130HM5401	SHAFT COMP,DRIVE (RT125)	1	
2	24121-05211	SHAFT,COUNTER (TN,RG,GS)	1	
3	24125-38201	BUSH,COUNTER SHAFT	1	
4	24221-29B00	GEAR,2ND DRIVE (TN,RG,GS)	1	
5	24231-29B10	GEAR,3/4 DRIVE (TN,RG,GS)	1	
6	24251-05202	GEAR,5TH DRIVE (TN,RG,GS)	1	
7	09380-20009	CIRCLIP,5TH DRIVE GEAR	1	
8	09262-20062	BEARING,CO.SH.R 6204ACM	1	
9	08123-60020	BEARING,COUNTER LH 6002DC3	1	
10	24741-05200	RETAINER,COUNTER SHAFT BG(TN,	1	
11	02122-06128	SCREW,OL GR SH	2	
12	09140-16017	NUT,ENGINE SPROCKET	1	
13	24311-29B00	GEAR,1ST DRIVEN (TN,RG,GS)	1	
14	08211-15251	THRUST WASHER,1ST DRIVE GEAR	2	
15	09263H15002	BEARING,1ST DRIVEN GEAR	1	
16	24320-29B00	GEAR COMP,2ND DRVN (TN,RG,GS)	1	
17	09380-20009	CIRCLIP,5TH DRIVE GEAR	1	

18	24331-05201	GEAR,3RD DRIVEN (TN,RG,GS)	1
19	09167-20011	THRUST WASHER,3RD DRIVE GEAR	2
20	24341-29B10	GEAR,4TH DRIVEN (TN,RG,GS)	1
21	24351-05201	GEAR,5TH DRIVEN (TN,RG,GS)	1
22	24359-05200	WASHER,OIL C-RING	1
23	24421-05300	WHEEL,SLIDING DOG (TN,RG,GS)	1
24	09263H15003	BEARING,DRIVE SHAFT R	1
25	08113-62040	BEARING,COUNTER DRIVE 6204C3	1
26	24741-05200	RETAINER,COUNTER SHAFT BG(TN,	1
27	02122-06128	SCREW,OL GR SH	2
28	09283-27010	OIL SEAL,REAR AXLE	1
29	24751-05201	RETAINER,DRV SHAFT (TN,RG,GS)	1
30	01107-06106	BOLT,DR SH RETAINER	2
31	26260-05201	GEAR,KICK START IDL(TN,RG,GS)	1
32	08211-15201	THRUST WASHER,KICK START IDL	2
33	08331-31159	CIRCLIP,KICK IDLE	1
34	27510H41721	SPROCKET,ENGINE 13T (GV)	1
35	27531-08300	SPACER,ENGINE SPROCKET (RX)	1
35-A	27532HM5400	SPACER,ENGINE SPROCKET NO2(RT)	1
35-B	27532HM5402	SPACER,EG SPROCKET (RT125)	1
36	09280-19005	O/RING,ENGINE SPROCKET	1
37	09167H20002	WASHER,ENGINE SPROCKET(GD250R)	1 Repl of 09167-20006 / (0.8T -> 1.0T)
38	27600HM5400	CHAIN ASS'Y,DRIVE (RT125)	1
39	27620H93B00	JOINT,CHAIN	1 N/A
40	27541SM5402HPA	BKT,EG SPROCKET SPCR (RT125)	1



SEQ	PART CODE	PART NAME	U/S	REMARK
1	35601HM5401	LAMP ASS'Y,FRONT T/SIG R(RT125)	1	
2	35602HM5401	LAMP ASSY,FRONT T/SIG L(RT125)	1	
3	35603-35C00	LAMP ASS'Y R/R TURNSIG R(GSX)	1	
4	35604-35C00	LAMP ASS'Y R/R TURNSIG L(GSX)	1	
5	09471-12003	BULB (FR□)	4	
6	02152-06258	SCREW,CYLINDER COWLING	2	
7	08316-26066	NUT,REAR COMBI LAMP	2	
8	08316-26066	NUT,REAR COMBI LAMP	2	
9	09160-06019	WASHER	2	
10	38610HL7320	RELAY ASS'Y,HARZARD (GT125)	1	
11	35625-01A00	TAPING SCREW (GD)	4	
12	09169H06016	WASHER,TURNSIGNAL LAMP&COV(GV)	2	
13	02112-06128	SCREW,COUNTER SHAFT	1	
14	09169H06016	WASHER,TURNSIGNAL LAMP&COV(GV)	2	
15	51721HM5400TAM	COVER,FRONT TURNSIGNAL (RT125)	2	
16	35652-35C00	LENS,REAR TURN SIGNAL R (GD)	1	
17	35652-35C00	LENS,REAR TURN SIGNAL R (GD)	1	

18	35672-35C00	LENS,REAR TURNSIGNAL L (GD)	1
19	35672-35C00	LENS,REAR TURNSIGNAL L (GD)	1



SEQ	PART CODE	PART NAME	U/S	REMARK
1	36610HM5451	WIRING HARNESS (RT125)	1	
1-1	36610HM5400	HARNESS,WIRING (RT125)	1	
2	38500HG5860	HORN ASSY (RT125)	1	
3	09407-254A1	BAND,CABLE	1	
4	09407-14403	CLAMP,STRNINER(125MM) (EZ)	5	
5	09407-14408	BAND	4	
6	09404-06405	CLAMP,WIRING HARNESS	2	
7	02112-36128	SCREW,COOLING FAN (GV250N)	2	
8	37100H93B30	LOCK ASS'Y,STEERING (RX125)	1	
9	01517-06168	BOLT,STEERING LOCK (SD)	1	
9-1	01517-06168	BOLT,STEERING LOCK (SD)	1	