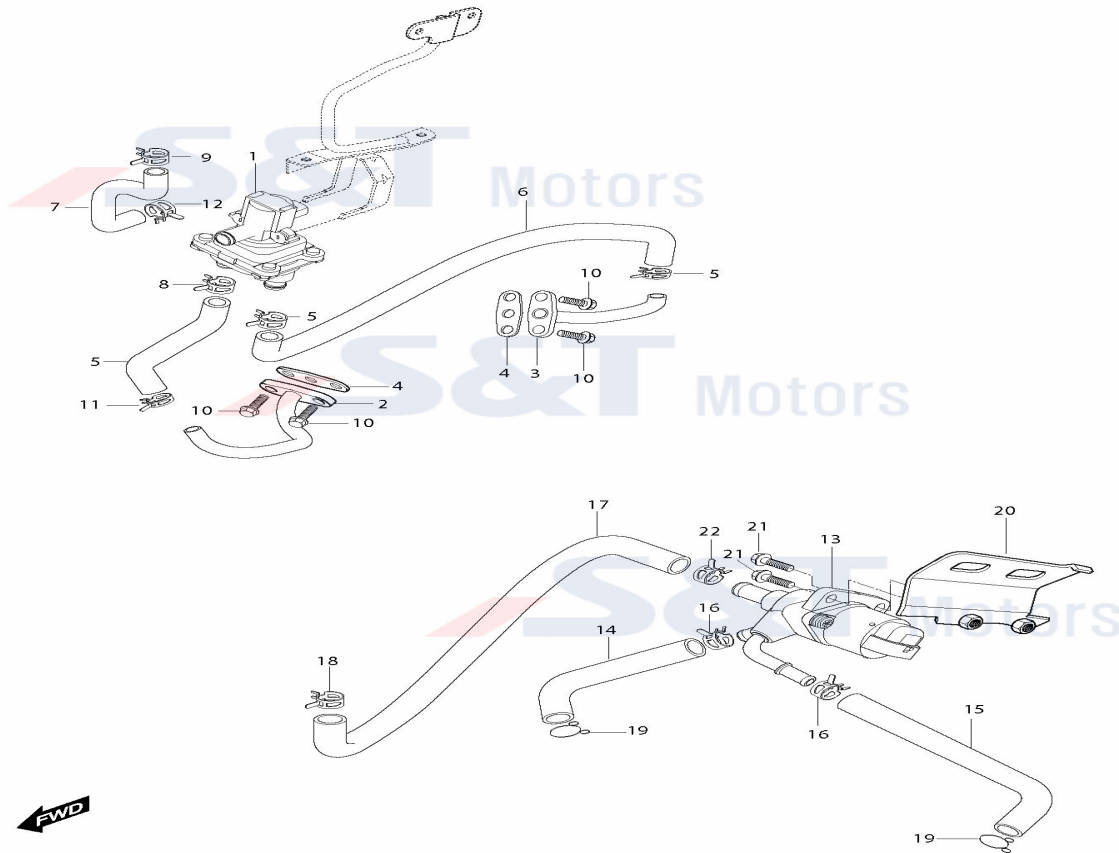


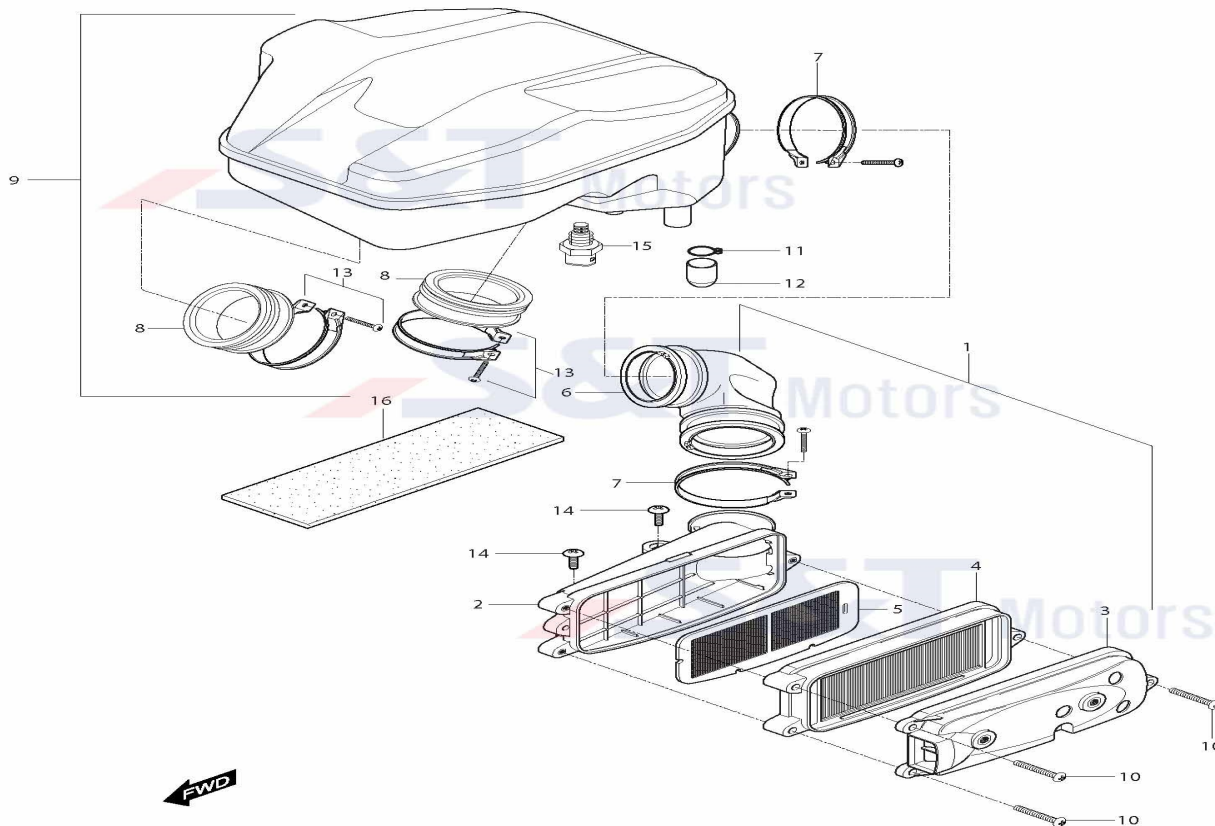
FIG.10-1



SEQ	PART CODE	PART NAME	U/S	REMARK
1	18500H89800	VALVE,2ND AIR (GV650EI)	1	
2	18610HJ8290	PIPE COMP,2ND AIR (GV250)	1	
3	18610HM8130	PIPE COMP,2ND AIR (GT125)	1	
4	18615HN9101	GASKET,2ND AIR REAR (GT650)	2	
5	18631H88400	HOSE,2ND AIR PIPE FT (GV250EI)	1	
6	18641H88400	HOSE,2ND AIR PIPE REAR(GV250EI)	1	
7	18651H88400	HOSE,2ND AIR CLEANER (GV250EI)	1	
8	09401H16401	CLAMP,2ND AIR VALVE HOSE (SF50)	2	
9	09401H16401	CLAMP,2ND AIR VALVE HOSE (SF50)	1	
10	09128-06005	BOLT,FUEL COCK	4	
11	09401H15401	CLAMP,2ND AIR PIPE (GV650FI)	2	
12	09401H18401	CLIP,2ND AIR VALVE (SF50R)	1	
13	37940HR8411	SOLENOID ISC (GV250)	1	
14	18731HR8400	HOSE,ISC NO.1 (GV250FI)	1	
15	18741HR8400	HOSE,ISC NO.2 (GV250FI)	1	
16	09401H11403	CLAMP,RESERVER TANK (GT650)	2	
17	18581HR8600	HOSE,2ND REED VALVE (GT250RFI)	1	
18	09401H10401	CLIP (GV250)	1	

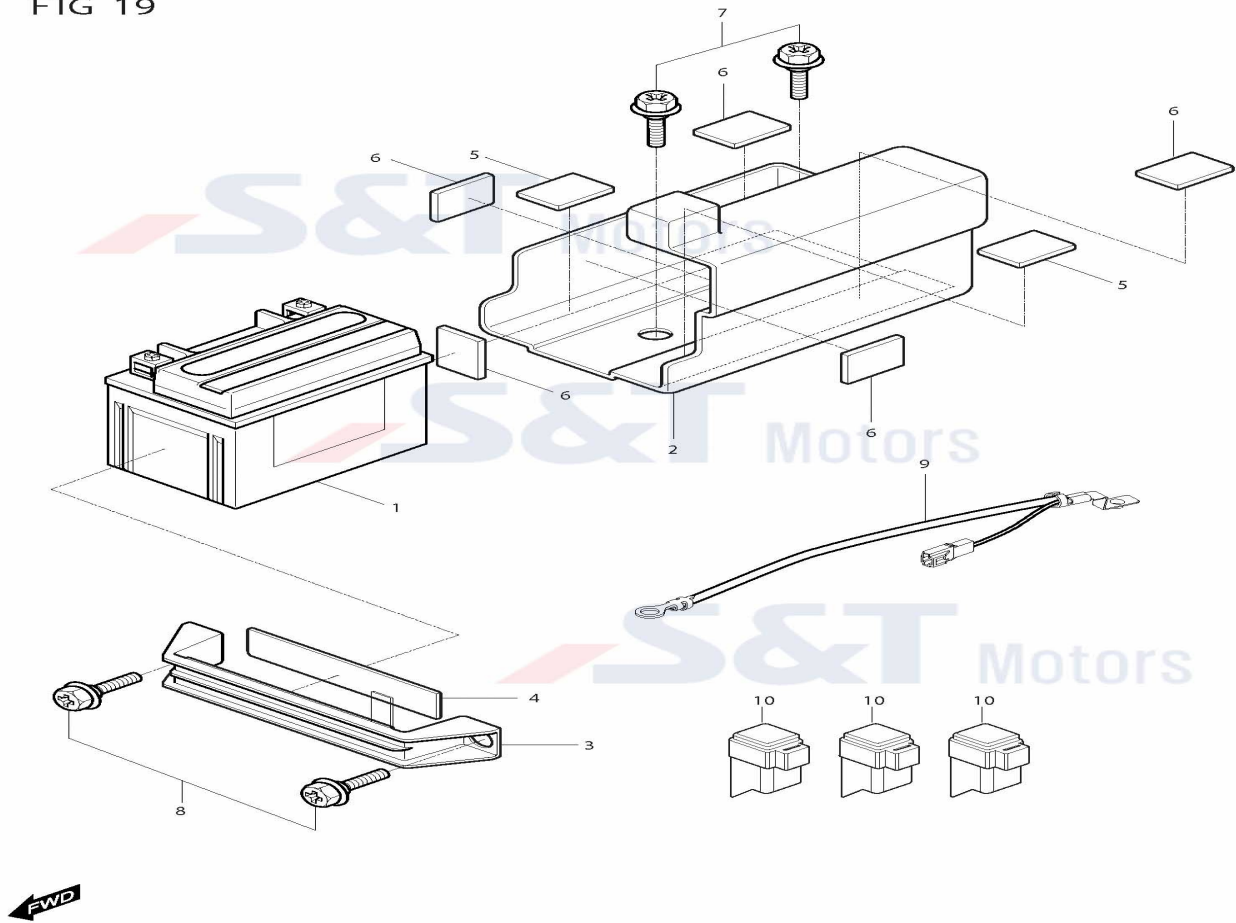
19	09401-10401	CLIP,FUEL HOSE	2
20	13790HR8400	BRACKET COMP,ISC (GV250FI)	1
21	01547-06208	BOLT,OIL STRAINER CAP	2
22	09401H13401	CLAMP,THERMOSTAT BYPASS HOS	1

FIG.11



SEQ	PART CODE	PART NAME	U/S	REMARK
1	13700HR8401	CLEANER ASSY,AIR (GV250N)	1	
2	13720HG5101	CASE COMP,AIR CLEANER (GV)	1	
3	13740HG5102	CAP COMP,AIR CLEANER (GV)	1	
4	13780HR8400	FILTER,AIR CLEANER (GV125CAT)	1	
5	13750HG5100	TRAP AIR CLEANER A/S□□(GV)	1	
6	13831HG5101	TUBE,AIR CHAMBER CONNECTING(GV)	1	
7	09402H74217	CLAMP,CONNECTING TUBE (GV)	1	
8	13881HR8400	TUBE OUTLET (GV250FI)	1	
9	13800H88402	CHAMBER,A/CLEANER CASE(GV250N)	1	
9	13800HA8410	CHAMBER,A/CLEANER CASE(GV250N)	1	**DELPHI**
10	02142-05305	SCREW OIL PUMP (SF)	3	
11	09401-14301	CLIP	1	
12	13895HF4500	PLUG	1	
13	09402-56208	CLAMP,OUTLET TUBE	1	
14	09136-06017	SCREW,AIR CLENR	2	
15	37930H89301	SENSOR,INTAKE A/TEMPERATURE(GT	1	
16	44613HE7100	CUSHION,OIL TANK NO.2 (EZ)	1	

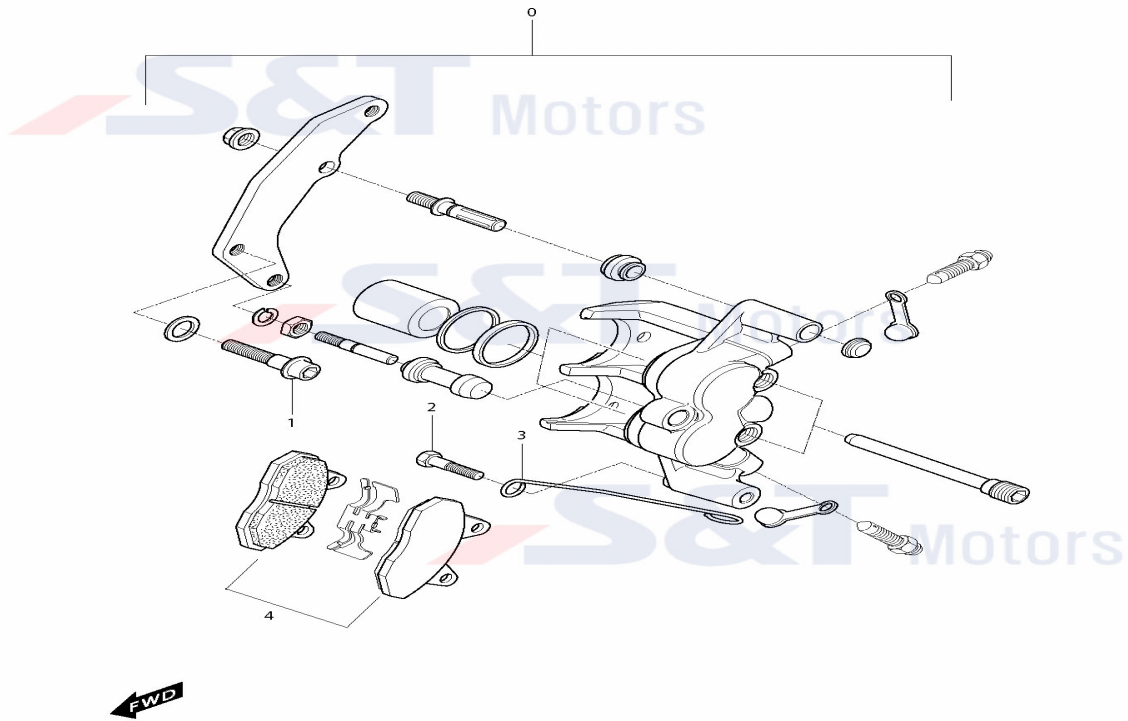
FIG 19



SEQ	PART CODE	PART NAME	U/S	REMARK
1	33610HP8800KOR	BATTERY ASS'Y(12V 10AH)(GT250R	1	
2	41541HG5105	HOLDER,BATTERY (GV125)	1	
3	41542HG5103	BAND,BATTERY HOLDER (GV250)	1	
4	33652H29101	CUSHION,BATTERY	1	
5	46416HE6100	REAR CARRIER CUSHION (FX)	2	
6	33652-38A10	TAPE,WIRING HARNESS	5	cor. 36920-10B00
6-1	36920-10B00	CUSH,	5	
7	02142-06166	SCREW,BATTERY HOLDER (GV)	2	
8	09128-06039	SCREW,BATTERY HOLDER BAND (GV)	2	
9	33860HL8200	LEAD WIRE,BATTERY MINUS (GV)	1	
10	38740HG5120	RELAY ASS'Y (GV250)	3	

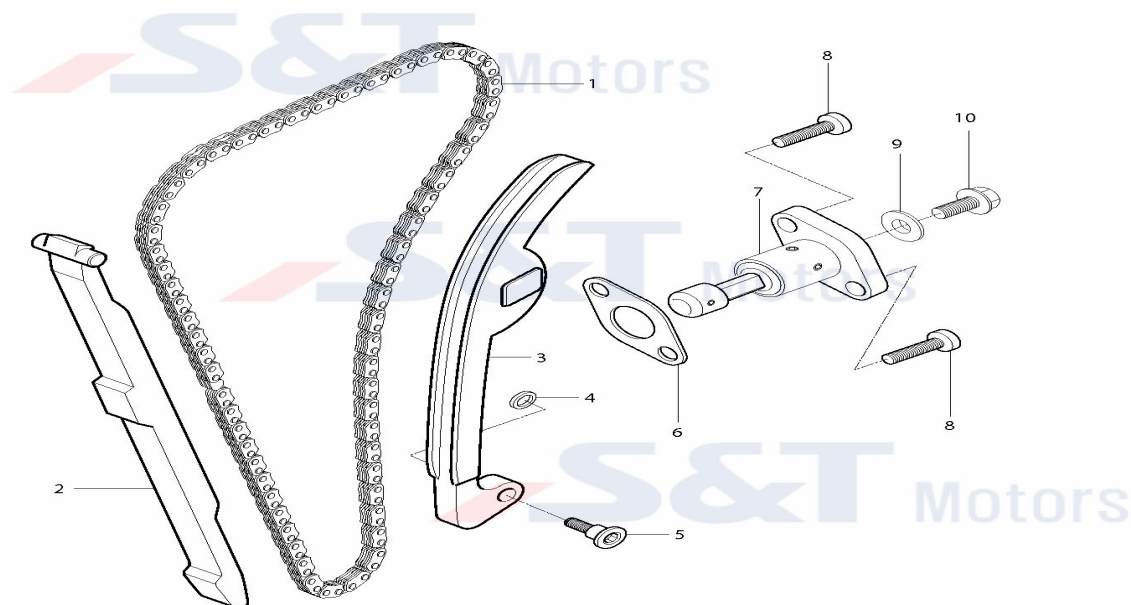


FIG.41



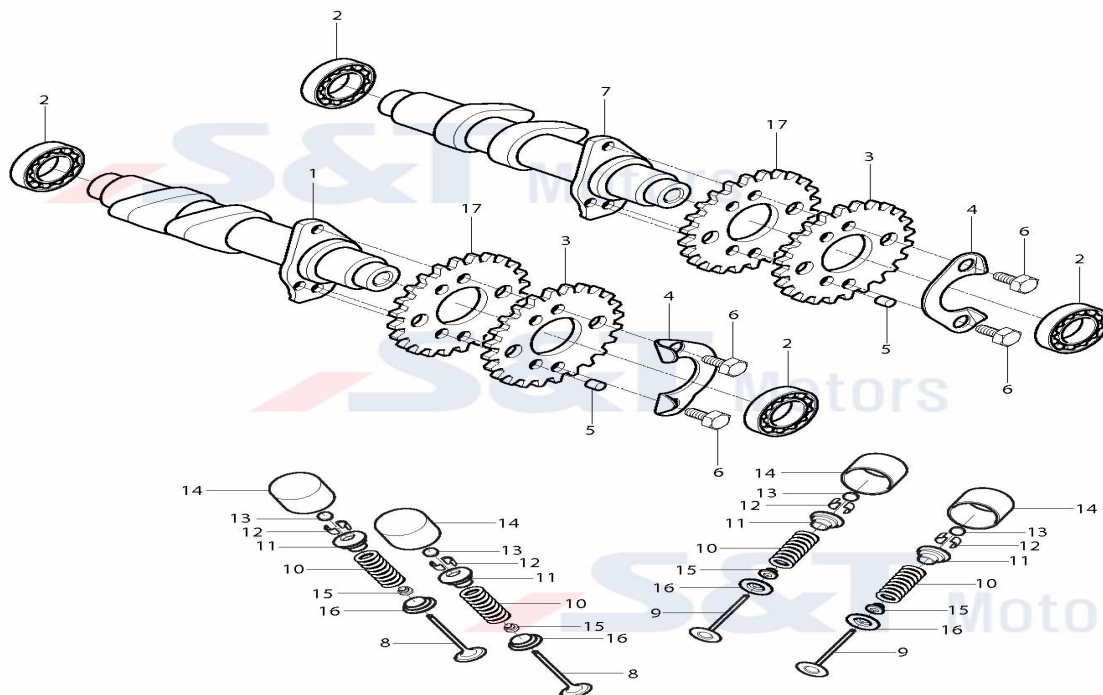
SEQ	PART CODE	PART NAME	U/S	REMARK
0	59300HG5112	CALIPER (GV250N)	1	
1	09103H08254	BOLT,CALIPER (GV)	2	
2	01514-06106	BOLT,SPEEDOMETER CABLE GUID(GV	1	
3	51418HF4501	GUIDE SPEEDOMETER CABLE (GPS)	1	
4	59301HP9500	PAD SET(8.4T) (GV650)	1	

FIG 9



SEQ	PART CODE	PART NAME	U/S	REMARK
1	12760-16E00	CHAIN CAM SHAFT DRIVE(GT250RN)	2	
2	12771-16E00	GUIDE CAM CHAIN NO.1 (GSX)	2	
3	12811HJ8200	TENSIONER,CAM CHAIN (GV250)	2	
4	08211-06181	WASHER CAMLINK TENS BOLT (GD)	2	
5	12812H35C00	BOLT CAM CHAIN TENSIONER (GD)	2	
6	12837HP7600	GASKET,TENSIONER ADJUSTER (GT)	2	
7	12830H88600	ADJUST ASSY,TENSIONER(GT125RAT)	2	
8	07110-06208	BOLT,FRONT FENDER LH (GD,GA-F)	4	
9	12838HP7600	O-RING,ADJUSTER (RX125D)	2	
10	12839HN9120	SCREW,TENSIONER ADJUSTER(GT250)	2	

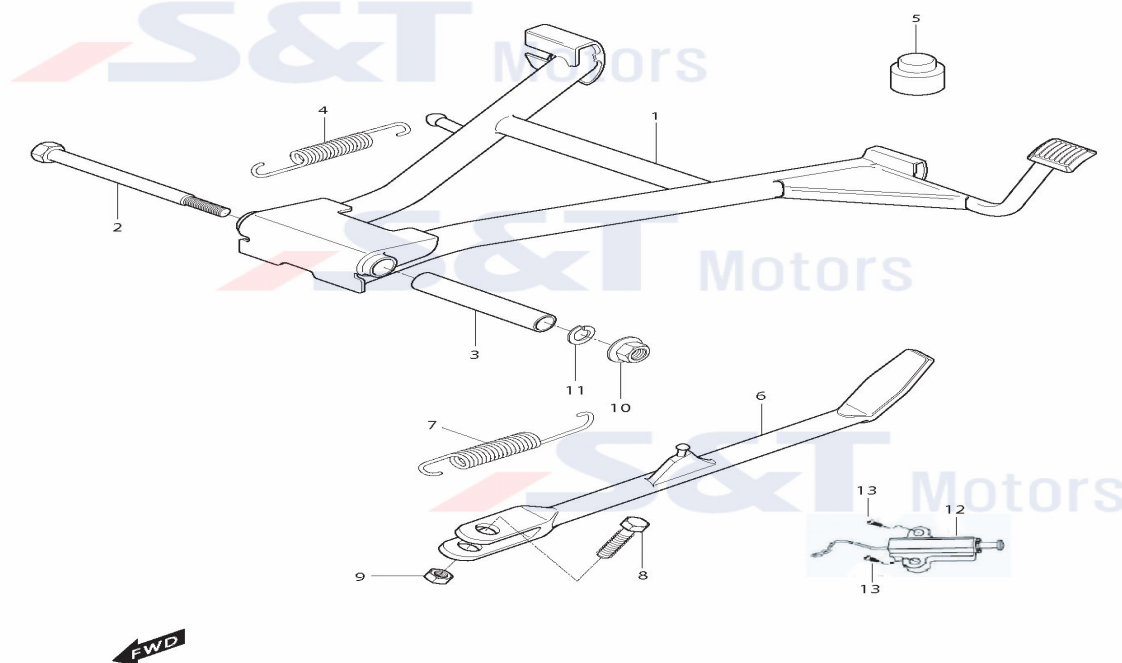
FIG 8



SEQ	PART CODE	PART NAME	U/S	REMARK
1	12711HJ8200888	CAM SHAFT,INTAKE RR (GV250)	2	
1-1	12710HJ8200HPA	CAM SHAFT ASSY FRONT INTAKE(GV	1	
2	09262H17005	BEARING,CAM SHAFT (GT250)	8 =09262-17019	
3	12741H16E00	SPROCKET,CAM SHAFT (GD)	2	
4	12747-44B00	WASHER SPROCKET (GD)	4	
5	09261-05005	KNOCK PIN,SPROCKET	4	
6	09111-06032	BOLT,SPROCKET	8	
7	12721HJ8200888	CAM SHAFT,EXHAUST FRONT (GV250)	2	
7-1	12730HJ8200HPA	CAM SHAFT ASSY,FRONT EX (GV250)	1	
8	12911HJ8200	VALVE,INTAKE (GV250)	4	
9	12912HJ8200	VALVE,EXHAUST (GV250)	4	
10	12921HJ8200	VALVE SPRING (GV250)	8	
11	12931HJ8200	RETAINER,VALVE SPRING (GV250)	8	
12	12932HJ8200	COTTER,VALVE (GV250)	16	
13	12892-05C00170	SHIM TAPPET (GD)	8 (120~220)	
14	12881H88400	TAPPET (GV250N)	8	
15	09289H04002	SEAL,VALVE STEM OIL (GV250)	8	

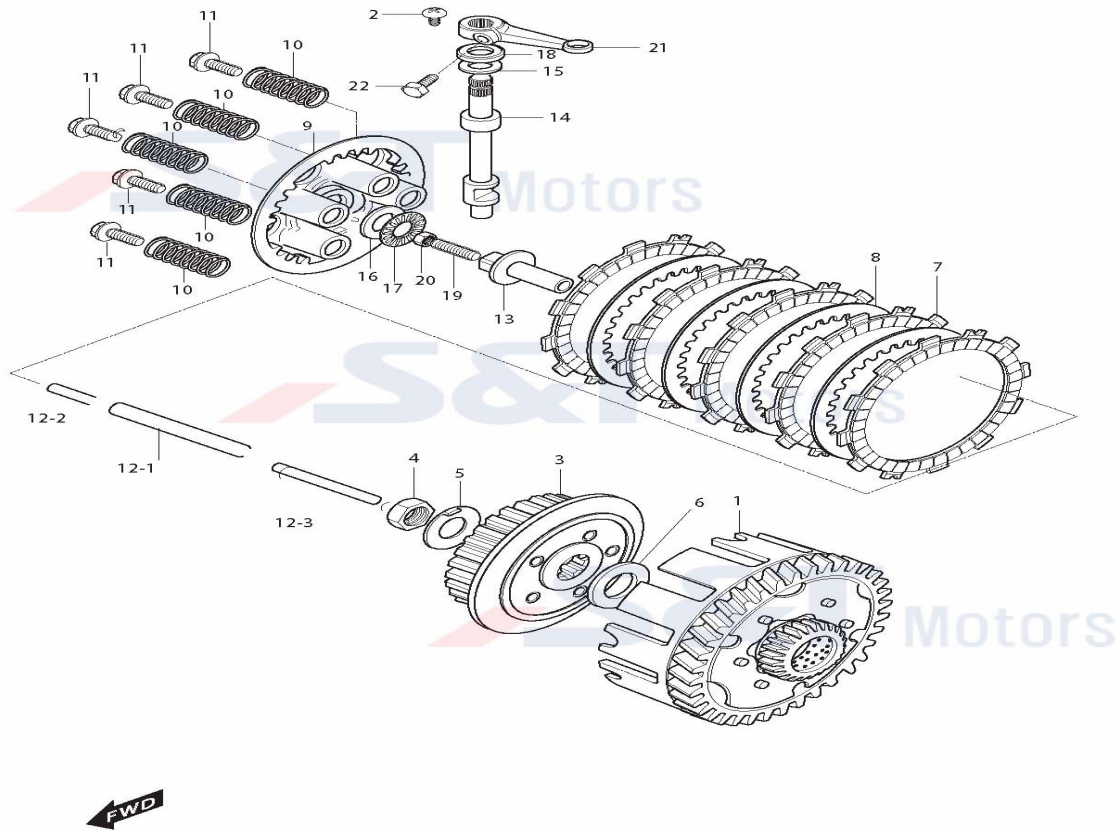
16	12933HJ8200	SEAT,VALVE SPRING (GV250	8
17	12742HJ8200	SPROCKET,CAM SHAFT REAR(GV250)	2

FIG.28



SEQ	PART CODE	PART NAME	U/S	REMARK
1	42100HG5103	STAND COMP,CENTER (GV250)	1	
2	09103H10022	BOLT,CENTER STAND (GT250RN)	1	
3	42191-35C00	SPACER CENTER STAND (GD)	1	
4	09443-17015	SPRING CENTER STANDER (GD)	1	
5	09321-10001	CUSHION,CENTER STAND	1	
6	42310HJ8250PLT	PROP STAND (GV250 KEU01	1	=42310HJ8250PLA
7	09443-15047	SPRING,CENTER STAND	1	
8	09100-10031	BOLT,PROP STAND (GT250RN)	1	
9	08310-22106	NUT,PROP STAND (GV)	1	
10	08316-26106	NUT,CENTER STAND (GV)	1	
11	08321-31106	WASHER,ROD END (TE50)	1	
12	37840HJ8250	SWITCH ASSY,SIDE STAND (GV250)	1	
13	01517-06205	BOLT,SPORT CARRIER (FX)	2	

FIG 14

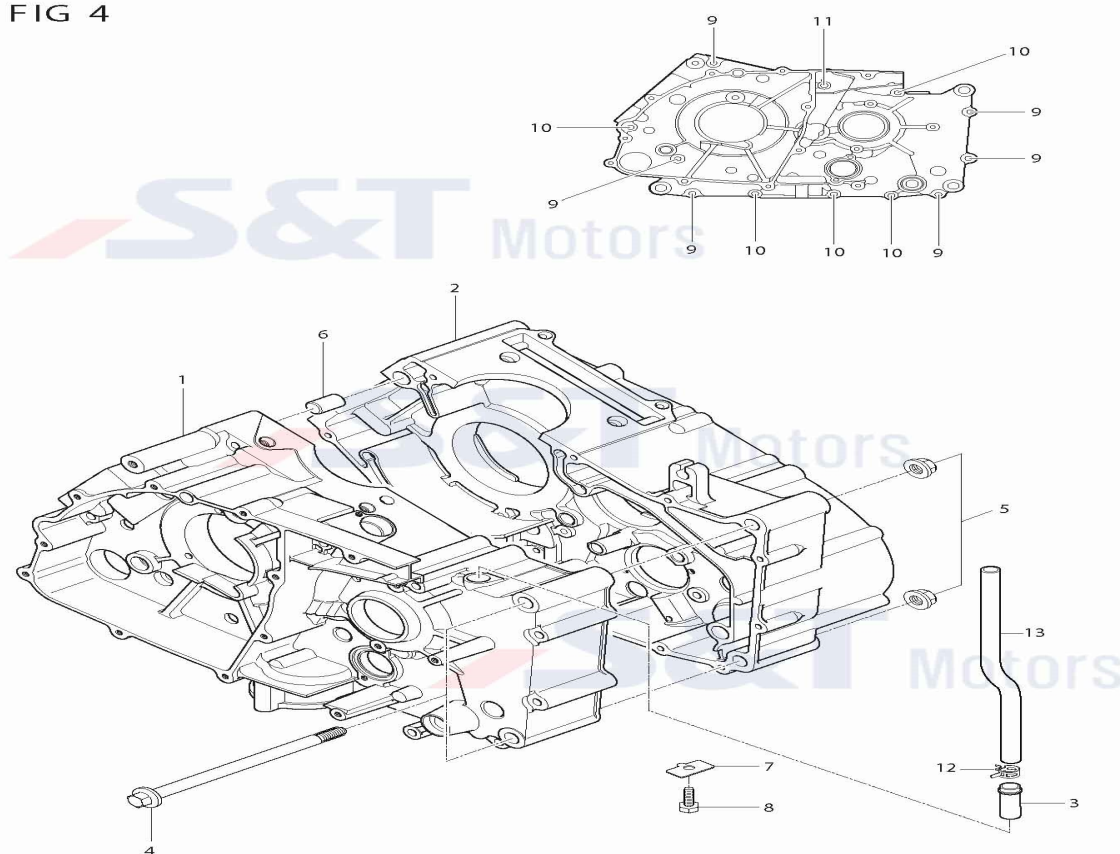


- 18 -

SEQ	PART CODE	PART NAME	U/S	REMARK
0	21200HJ8200HPA	GEAR COMP,PRIMARY DRIVEN(GV250	1	with HOUSING
1	21210HJ8201	GEAR COMP,PRIMARY DRIVEN(GV250	1	
2	02142-06108	SCREW,KICK STARTER	1	
3	21411HJ8203	HUB,CLUTCH SLEEVE (GV250)	1	
4	09140-16014	NUT,CLUTCH SLEEVE	1	
5	09169H16001	LOCK WASHER,CLUTCH SLEEVE(GV25	1	
6	09167H18001	WASHER THRUST,CLUTCH SLEEVE(GV	1	
7	21441HJ8201	PLATE,CLUTCH DRIVE (GV250)	6	
8	21451HJ8201	PLATE,CLUTCH DRIVEN (GV250)	5	
9	21462HJ8201	DISK,CLUTCH PRESSURE (GV250)	1	
10	09440H16003	SPRING,CLUTCH (GV250)	5	
11	09116H05001	BOLT,CLUTCH SPRING 5*20(GV250)	5	
12-1	23110HJ8202	ROD COMP,CLUTCH PUSH (GT250)	1	
12-2	23115HN9100	ROD,CLUTCH PUSH NO.2 (GT650)	1	
12-3	23113HJ8200	ROD,CLUTCH PUSH R (GV250)	1	
13	23121-38201	PIECE CLUTCH PUSH (GD)	1	
14	23122HG5100	SHAFT,CLUTCH RELEASE CAM (GV)	1	

15	08211-10201	(GV) THRUST WASHER,CLUTCH RELEASE	1
16	09160-15015	THRUST WASHER,CLUTCH RELEASE	1
17	09263H15001	BEARING,CLUTCH RELEASE	1
18	09282-10007	OIL SEAL,CLUTCH RELEASE CAM	1
19	09134-06010	SCREW,CLUTCH RELEASE	1
20	08310-22068	NUT,UNIT&COIL (GV650)	1
21	23271HJ8250	ARM,CLUTCH RELEASE (GV250- KEU	1
22	01107-06168	BOLT,RELEASE ARM (GT250RN)	1

FIG 4

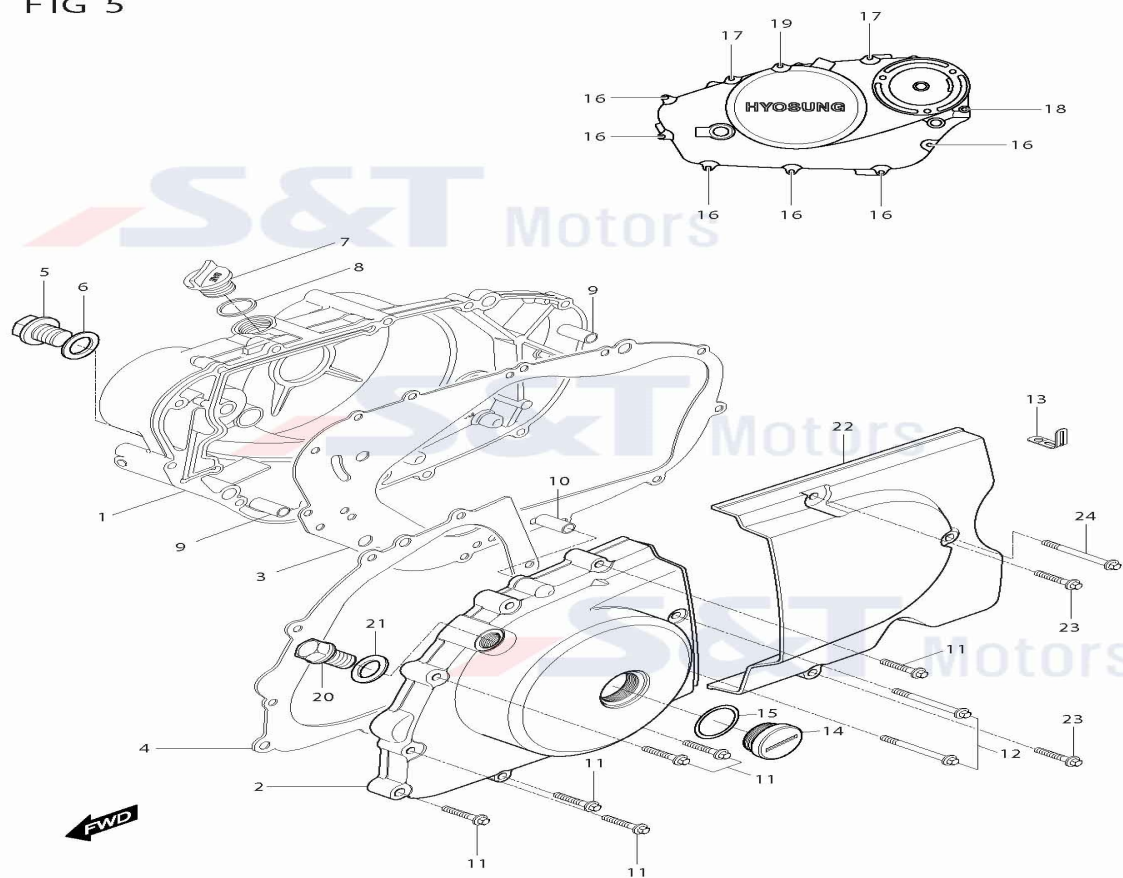


SEQ	PART CODE	PART NAME	U/S	REMARK
0	11300HJ8204HPA	CRANK CASE ASSY (GV250)	1	*Black
0-1	11300HJ8205HPA	CRANK CASE ASSY (GV250)	1	*Silver, MY 14 (November, 2013~)
1	11320HJ8203HPA	CRANK CASE L (GV250N)	1	*Black
1-1	11320HJ8204HPA	CRANK CASE L	1	*Silver
2	11310HJ8204HPA	CRANK CASE R (GV250N)	1	*Black
2-1	11310HJ8205HPA	CRANK CASE R	1	*Silver
3	09364-12001	UNION,BREATHER HOSE	1	
4	09103H10022	BOLT,CENTER STAND (GT250RN)	3	
5	08319-31106	NUT,BRACKET & CLAMP	3	
6	04211-13189	KNOCK PIN	2	cor. 04213-13189
6-1	04213-13189	PIN,CRANK CASE (GT&GV)	2	
7	11319-05200	PLATE,OIL GALLERY PLUG	1	
8	01107-06106	BOLT,DR SH RETAINER	1	
9	01547-06558	BOLT,CRANK CASE	6	
10	01547-06808	BOLT,CRANKCASE (GD)	5	
11	02112-06908	SCREW,CL COVER R	1	
12	09401H14401	CLAMP,BREATHER OIL RETURN(GT65	1	
13	16831HN9101	HOSE,REATHER OIL RETURN N2(GT6	1	





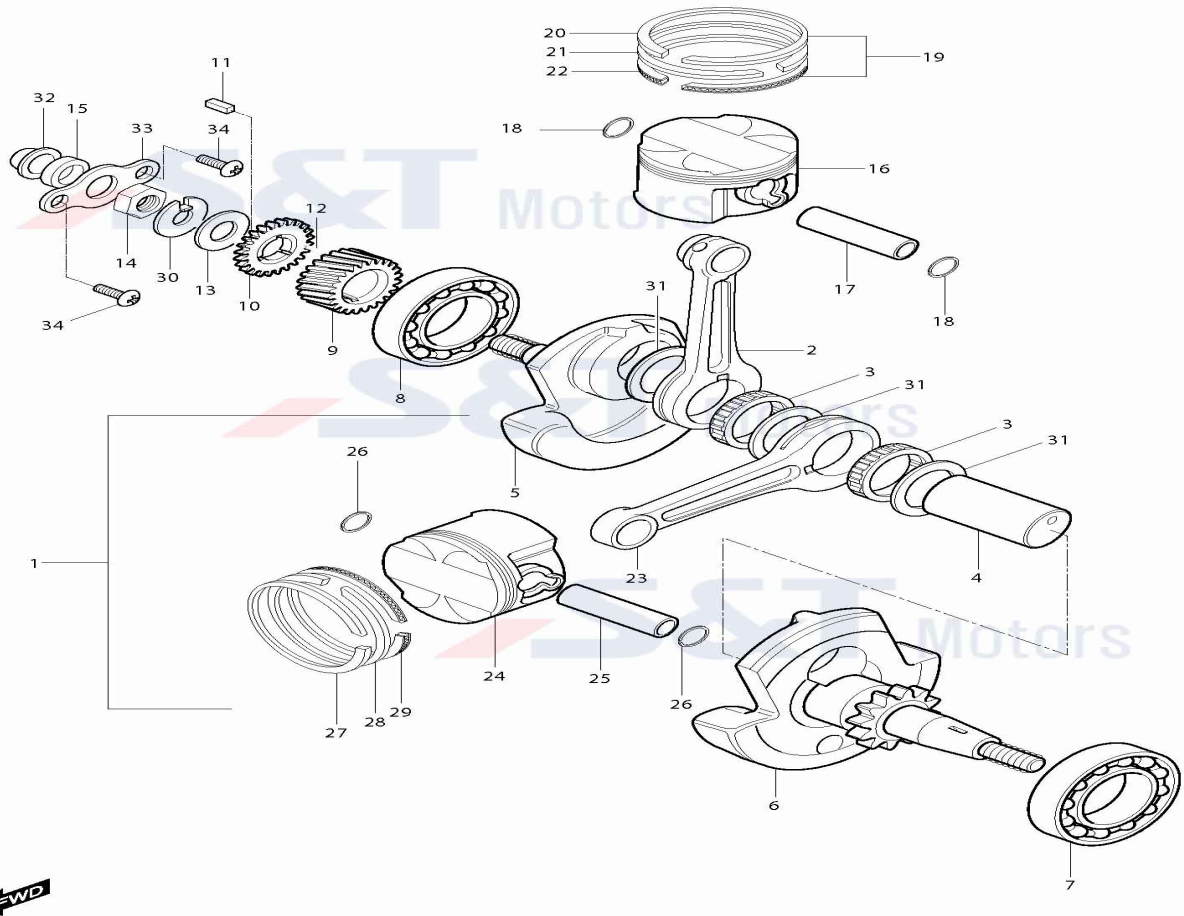
FIG 5



SEQ	PART CODE	PART NAME	U/S	REMARK
1	11341SJ8200HPA	COVER COMP,CLUTCH (GV250)	1	
1-1	11341SJ8201HPA	COVER COMP,CLUTCH (GV250)	1	MY 14 (November, 2013~)
2	11351HJ82030BF	COVER,MAGNETO (GV250)	1	
2-1	11351HJ820313P	COVER,MAGNETO (GV250)	1	MY 14 (November, 2013~)
3	11482HG5102	GASKET CLUTCH COVER (GV-125)	1	
4	11483HG5102	GASKET,MAGNETO COVER (GV125)	1	
5	09247-14026	PLUG,BOLT	1	
6	09168H14003	GASKET,OIL CHECK PLUG (SB)	1	
7	09259-2001203P	PLUG,ENGINE OIL FILTER	1	=09259-2000903P
7-1	09259-200120S1	PLUG,ENGINE OIL FILTER	1	MY 14 (November, 2013~)
8	09280-17003	O/RING,ENGINE OIL FILTER	1	cor. 09280H17003
8-1	09280-13004	O/RING,OIL FILTER	1	
9	04213-13189	PIN,CRANK CASE (GT&GV)	2	
10	04213-09129	PIN,MAGNETO COVER	1	
11	01547-06308	BOLT,MAGNET&CLUTCH COVER (EZ)	7	
12	01547-06708	BOLT,MAGNETO COVER (GV250)	2	
13	09403H09304	CLAMP CLUTCH CABLE (GA)	1	

13-1	09403-14404	CLAMP,REAR BRAKE CABLE NO2	1
13-1-2	51418H88400	CLAMP,CLUTCH CABLE NO.2(GV250)	1
14	09259-2601503P	PLUG,CRANK SHAFT HOLE	1
14-1	09259-260150S1	PLUG (GT650)	1 MY 14 (November, 2013~)
15	09280-22008	O/RING,CRANK SHAFT HOLE PL	1
16	01547-06258	BOLT,INTAKE HEAD (GV650)	6
17	01547-06358	BOLT,MAGET&SPROCKET COV	2
18	01547-06608	BOLT,CAM SHAFT HOLDER (GA)	1
19	01547-06758	BOLT,CRANK CASE	1
20	09247H12102	PLUG,T D C	1
21	09168H12003	GASKET,TDC PLUG (SB)	1
22	11360HJ8200HPA	COV COMP,ENGINE SPROCKET(GV250)	1 COVER+CUSHION U/S:2
22-1-1	11361HJ820213P	COVER,ENGINE SPROCKET (GV250)	1 MY 14 (November, 2013~)
22-1-2	11362HJ8200	CUSHION,COVER ENGINE SP(GV250)	1 MY 14 (November, 2013~)
22-1-3	11363HG5100	CUSHION ENGINE SPROCKET (GV)	1 MY 14 (November, 2013~)
23	01547-06308	BOLT,MAGNET&CLUTCH COVER (EZ)	2
24	01547-06708	BOLT,MAGNETO COVER (GV250)	1

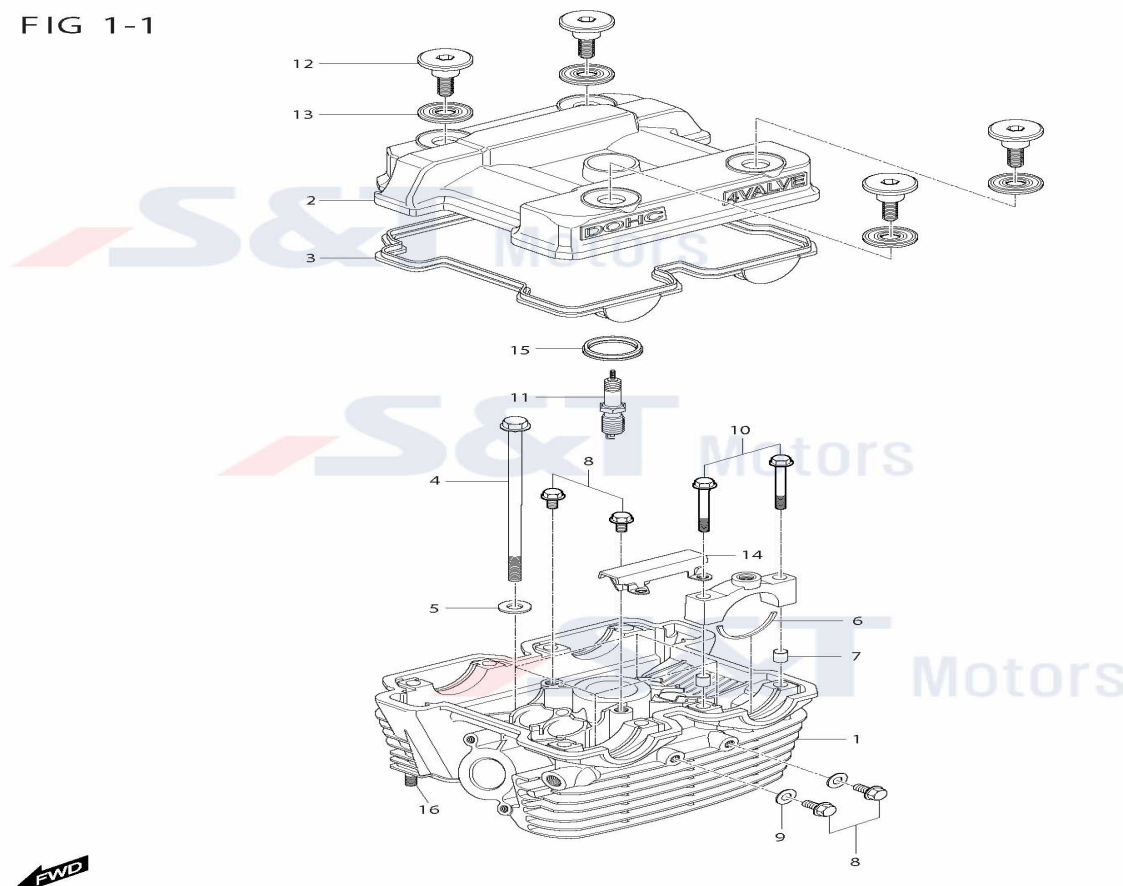
FIG 6



SEQ	PART CODE	PART NAME	U/S	REMARK
1	12200HJ8201HPA	CRANK SHAFT ASS'Y (GV250	1	
2	12161HJ8200	ROD,CONNECTING (GV250)	1	
3	09263H30002	BEARING,CRANK PIN□□□(GV25	2 cor. 09263H30003	
3-1	09263H30003	BEARING,CRANK PIN (GD)	2	
4	12211HJ8202HPA	PIN COMP,CRANK (GV250)	1 cor. 12210HJ8203HPA	
4-1	12210HJ8203HPA	PIN COMP,CRANK(PIN+BALL)(GV250	1	
5	12221HJ8204CSA	CRANK SHAFT R (GV250)	1	
6	12261HJ8205CSA	CRANK SHAFT L (GV250)	1	
7	09262H35002	BEARING,CRANK SHAFT L(RX125SM)	1	
8	09262H35002	BEARING,CRANK SHAFT L(RX125SM)	1	
9	21111HJ8201	GEAR,PRIMARY DRIVE (GV250)	1	
10	21112HJ8200	GEAR,PRIMARY DRIVE NO2 (GV250)	1	
11	09421H05001	KEY,PRIMARY DRIVE GEAR (GV250)	1	
12	21114-35C00	SPRING PRIARY DRIVE GEAR(GSX)	3	
13	09166H16021	WASHER,PRIMARY DRIVE GEAR(GV)	1	
14	09140-16019	NUT,PRIMARY DRIVEN GEAR	1	
15	09282-12001	OIL SEAL,CRANK SHAFT RH	1	

16	12111-16E00	PISTON (GT250)	1 =12111-16E00PPS
17	12151-30B00	PIN,PISTON (GD,GA-F)	1
18	09381-15001	CIRCLIP,PISTON PIN (GD,GA-F)	2
19	12140-16E00	RING SET,PISTON (GD,GA-F)	2 12141-16E00,12142-16E00,12144-16E00
20	12141-16E00	RING,PISTON 1ST (GD,GA-F)	1
21	12142-16E00	RING,PISTON 2ND (GD,GA-F)	1
22	12144-16E00	RING,PISTON OIL (GD,GA-F)	1
23	12161HJ8200	ROD,CONNECTING (GV250)	1
24	12111-16E00	PISTON (GT250)	1 =12111-16E00PPS
24-1	12111S16E00HPA	PISTON ASS'Y (GD)	1
25	12151-30B00	PIN,PISTON (GD,GA-F)	1
26	09381-15001	CIRCLIP,PISTON PIN (GD,GA-F)	2
27	12141-16E00	RING,PISTON 1ST (GD,GA-F)	1
28	12142-16E00	RING,PISTON 2ND (GD,GA-F)	1
29	12144-16E00	RING,PISTON OIL (GD,GA-F)	1
30	09166H16032	WASHER,PRIMARY DRIVE GEAR(GV25)	1
31	09160H30001	WASHER,CONNROD THRUST (GV250)	3
32	11342HG5100	JET,CLUTCH COVER (GV)	1
33	11343HG5100	RETAINER,CLUTCH COVER (GV)	1
34	02112-06108	SCREW	2

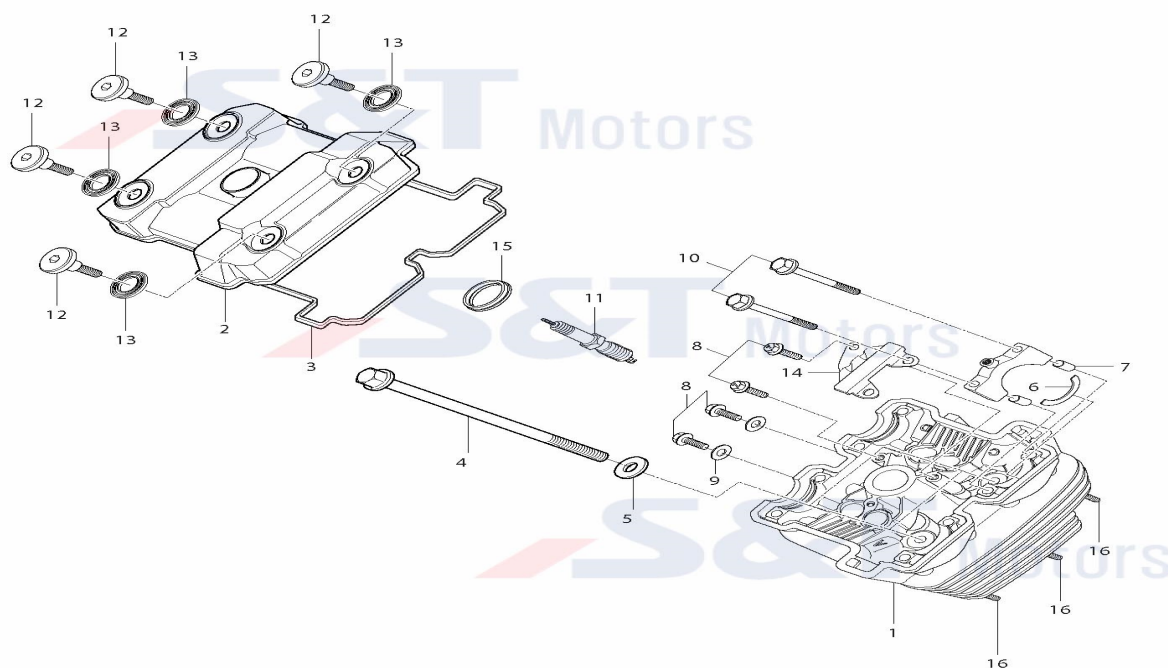
FIG 1-1



SEQ	PART CODE	PART NAME	U/S	REMARK
1	11110SJ8600HPA	HEAD COMP,CYLINDER (GV250FI)	1	
1-1	11110HR8611HPA	CYLINDER HEAD ASS'Y,FT (GT250)	1	MY 14 (November, 2013~)
2	11171HG5102121	COVER,CYLINDER HEAD (GT250)	1	BLACK
2-1	11171HG51020S1	COVER,CYLINDER HEAD (GV250)	1	MY 14 (November, 2013~)
3	11173HG5100	GASKET CYLINDER HEAD COVER(GV)	1	
4	09103H08306	BOLT,CYLINDER HEAD L130 (GV)	4	
5	09103H08306	BOLT,CYLINDER HEAD L130 (GV)	4	
6	09168-08021	GASKET CYLINDER HEAD BOLT	4	
7	09206-08001	PIN,MAGNET COVER (GT&GV)	8	
8	01517-06128	BOLT,OIL DRAIN	4	
9	09168H06009	GASKET OIL GALLERY PLUG (GD)	2	
10	09103-06013	BOLT (GD)	8	
11	09482-00456HAS	SPARK PLUG(CR8E)	1	
12	09109H07018	BOLT,CYLINDER HEAD COVER (GV)	4	
13	09161H11008	WASHER,CYLINDER HEAD COVER(GD)	4	
14	12782-35C00	GUIDE CAM CHAIN NO.2 (GSX)	1	
15	11178-17E00	GASKET CYL/HEAD COVER NO.2	1	



FIG 1-2

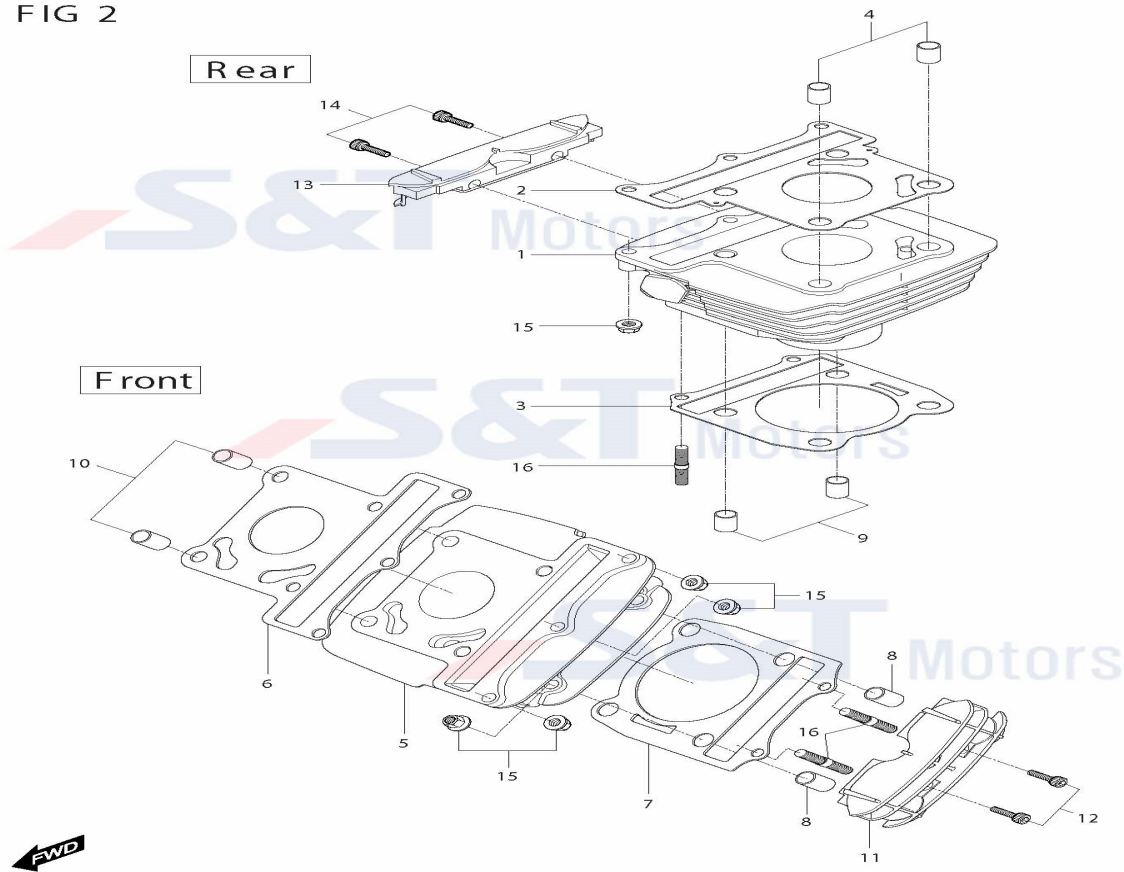


SEQ	PART CODE	PART NAME	U/S	REMARK
1	11110HR8610HPA	CYLINDER HEAD ASS'Y,FT (GT250)	1	
1-1	11110SR8691HPA	CYLINDER HEAD REAR ASS'Y	1	+OIL GALLERY JET + CYLINDER HEAD OIL JET
1-2	11110HR8692HPA	CYLINDER HEAD ASS'Y,RR (GT250)	1	MY 14 (November, 2013~)
2	11171HG5102121	COVER,CYLINDER HEAD (GT250)	1	BLACK
2-1	11171HG51020S1	COVER,CYLINDER HEAD (GV250)	1	MY 14 (November, 2013~)
3	11173HG5100	GASKET CYLINDER HEAD COVER(GV)	1	
4	09103H08306	BOLT,CYLINDER HEAD L130 (GV)	4	
5	09168-08021	GASKET CYLINDER HEAD BOLT	4	
6	09390-35001	C-RING	4	
7	09206-08001	PIN,MAGNET COVER (GT&GV)	8	
8	01517-06128	BOLT,OIL DRAIN	4	
9	09168H06009	GASKET OIL GALLERY PLUG (GD)	2	
10	09103-06013	BOLT (GD)	8	
11	09482-00456HAS	SPARK PLUG(CR8E)	1	
12	09109H07018	BOLT,CYLINDER HEAD COVER (GV)	4	
13	09161H11008	WASHER,CYLINDER HEAD COVER(GD)	4	
14	12782-35C00	GUIDE CAM CHAIN NO.2 (GSX)	1	



15	11178-17E00	GASKET CYL/HEAD COVER NO.2	1
16	01421-06258	STUD BOLT CYLINDER (GA)	3

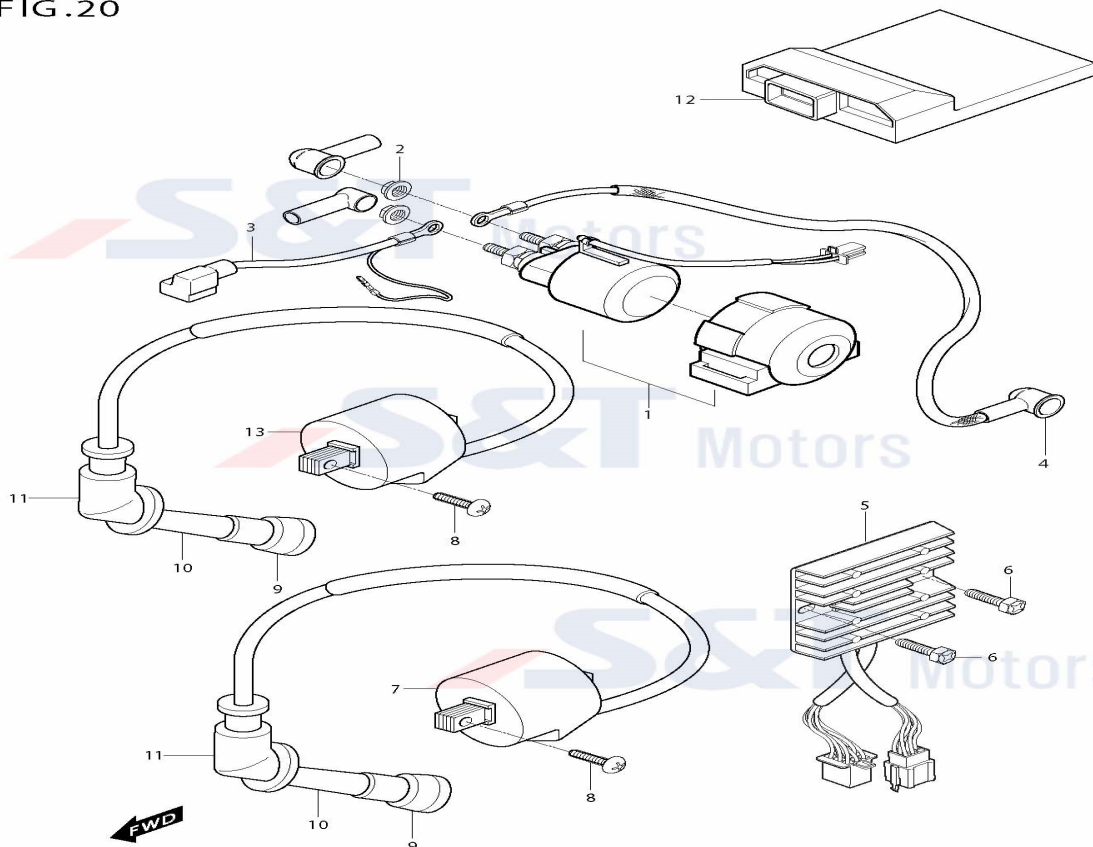
FIG 2



SEQ	PART CODE	PART NAME	U/S	REMARK
1	11220HR8651PCY	CYLINDER COMP,REAR (GT250N)	1	BLACK ENGINE
1	11220HR8601PCY	CYLINDER COMP,REAR (GV250N)	1	**DELPHI**
2	11141HJ8210	GASKET,CYLINDER HEAD (GV250)	1	
3	11241HG5103	GASKET,CYLINDER(NA) (GV125)	1	
4	04213-11169	PIN,CYLINDER HEAD KNOCK (FX)	2	
5	11210HR8651PCY	CYLINDER COMP,FRONT (GT250RFI)	1	BLACK ENGINE
5	11210HR8601PCY	CYLINDER COMP,FRONT (GV250N)	1	**DELPHI**
5-1	11220HR86010S1	CYLINDER COMP,REAR (GV250N)	1	MY 14 (November, 2013~)
6	11141HJ8210	GASKET,CYLINDER HEAD (GV250)	1	
7	11241HG5103	GASKET,CYLINDER(NA) (GV125)	1	
8	04213-11149	KNOCK PIN	2	
9	04213-11149	KNOCK PIN	2	
10	04213-11169	PIN,CYLINDER HEAD KNOCK (FX)	2	
11	11251HG5100121	FIN,CYLINDER (GT250)	1	BLACK
11-1	11251HG51000S1	FIN,CYLINDER (GV250)	1	MY 14 (November, 2013~)
12	07110-05168	BOLT,REAR CARRIER	2	
13	11251HG5100121	FIN,CYLINDER (GT250)	1	BLACK
13-1	11251HG51000S1	FIN,CYLINDER (GV250)	1	MY 14 (November, 2013~)

14	07110-05168	BOLT,REAR CARRIER	2
15	08316-16068	NUT (GV650)	6
16	01421-06258	STUD BOLT CYLINDER (GA)	4

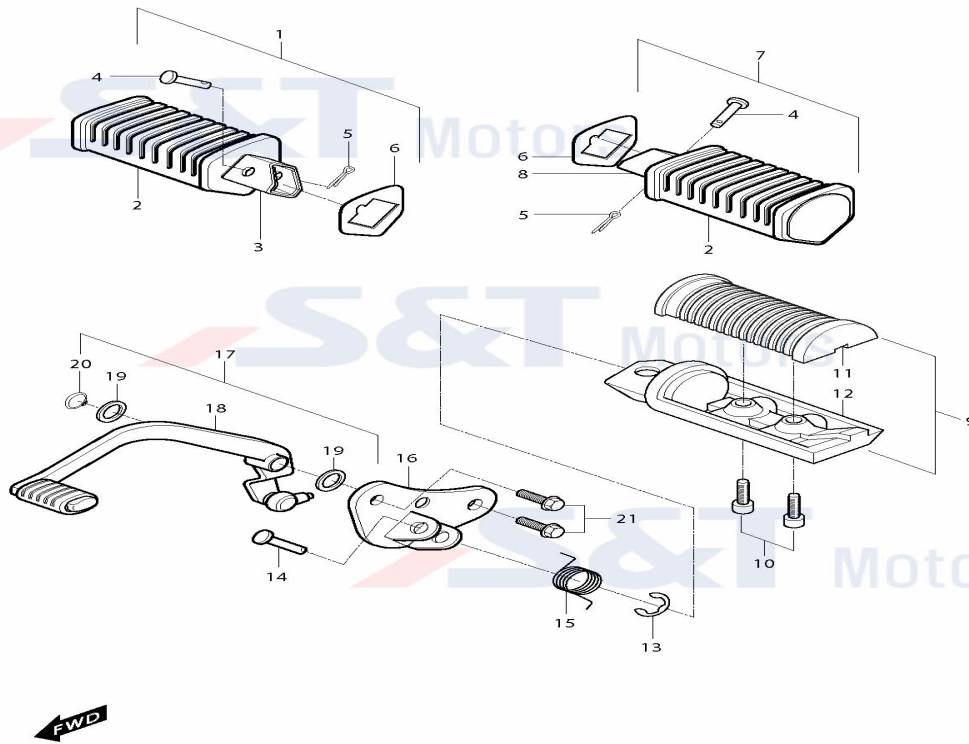
FIG.20



SEQ	PART CODE	PART NAME	U/S	REMARK
1	31800HG5100	RELAY ASSY'STARTING MOTOR (GV)	1	
2	08316-26066	NUT,REAR COMBI LAMP	2	
3	33840HL8200	LEAD WIRE,BATTERT PLUS (GV)	1	
4	33850H93B01	WIRE S/MOTOR LEAD (GA)	1	
5	32800HN9110	RECTIFIER REGULATOR ASSY(GT650)	1	
5-1	32800HN9121	RECTIFIER REGULATOR ASSY(GD250)	1	MUST with 32100HA8413
6	09128-06035	BOLT,FUEL COCK	2	
7	33410HN9120	IGNITION COIL (GV250FI)	1	=33410HP9310(Length difference)
7	33410H98A00	COIL ASSY,IGNITION (MS3)	1	**DELPHI**
8	09128H06052	BOLT IGNITION COIL(6*40) (GD)	4	
9	33541-23E01	SEAL SPARK PLUG (GD)	2	
10	33500H88412	CAP ASSY,SPARK PLUG (GV250N)	2	
11	33542-24D00	SEAL HIGH TENSION CORD (GSX)	2	
12	32900H88400	ENGINE CONTROL UNIT (GV250EI)	1	
12	32900HB8400	ENGINE CONTROL UNIT (GV250N)	1	
13	33410H98A00	COIL ASSY,IGNITION (MS3)	1	**DELPHI**
13	33410HN9120	IGNITION COIL (GV250FI)	1	

14	09180-06072	SPACER,FUEL TANK REAR	4
15	41320H99D00	BRKT,ENGINE CONTROL (GV700C)	1 **DELPHI**
16	01517-06128	BOLT,OIL DRAIN	1 **DELPHI**
17	09106H05150	WRENCH BOLT 5*15MM	1 **DELPHI**
18	38740HD8550	RELAY ASS'Y (GD250R)	1
19	33415H99D00	CABLE, IGNITION FR & RR (GV700	2 **DELPHI**

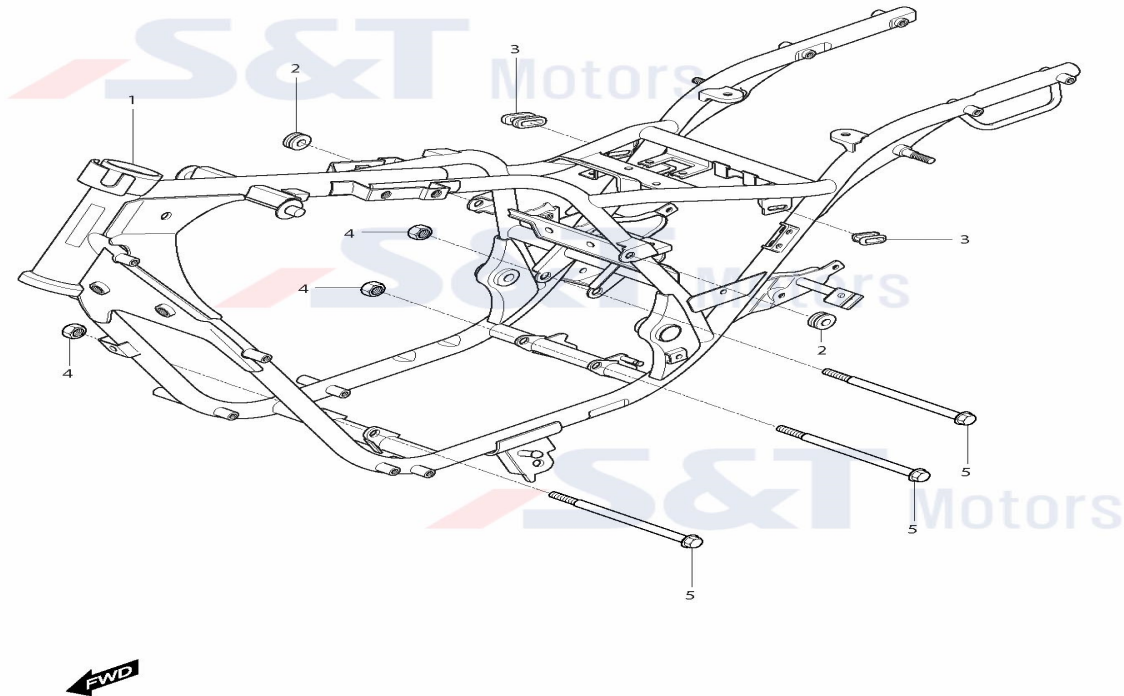
FIG.30



SEQ	PART CODE	PART NAME	U/S	REMARK
1	43600H93B00	FOOTREST ASS'Y PILLION R (GA)	1	
2	43612-05351	RUBBER,PILLION FOOTREST	2	
3	43610-05350	BAR COMP PILLION FOOTREST R(GA)	1	
4	09200-06010	PIN PILLION FOOTREST (GA)	2	
5	04111-20206	COTTER PIN,STRG SHAFT	2	
6	43631-05350	WASHER,PILLION FOOTREST (GA)	2	
7	43700H93B00	FOOTREST ASS'Y PILLION L (GA)	1	
8	43620-05350	BAR COMP PILLION FOOTREST L(GA)	1	
9	43502H93B11	FOOTREST ASSY,FRONT L□□(GV)	1	
10	07110-06128	BOLT,SEAT LOCKER	2	
11	43550H93B00	RUBBER COMP	1	
12	43581H93B11	BAR,FRONT FOOTREST L(A/S) (GV)	1	
13	08332-11106	E-RING FOOTREST RH/LH (GA)	1	
14	09200H12001	PIN (GV250N)	2	
15	09448H16001	SPRING (GA)	1	
16	43560HG5101PLT	BRACKET COMP,FRONT FOOT L (GV)	1	
17	25609HG5101	LEVER GR SHIFT+ARM+ROD ASSY(GV)	1	

18	25610HG5101	LEVER COMP,GEAR SHIFT CAM (GV)	1
19	09160-12011	WASHER,GEAR SHIFT LEVER	2
20	08331-31128	CIRCLIP,KICK START IDLE SH	1
21	01527-10258	BOLT PILLION FOOTREST LH (GA)	2

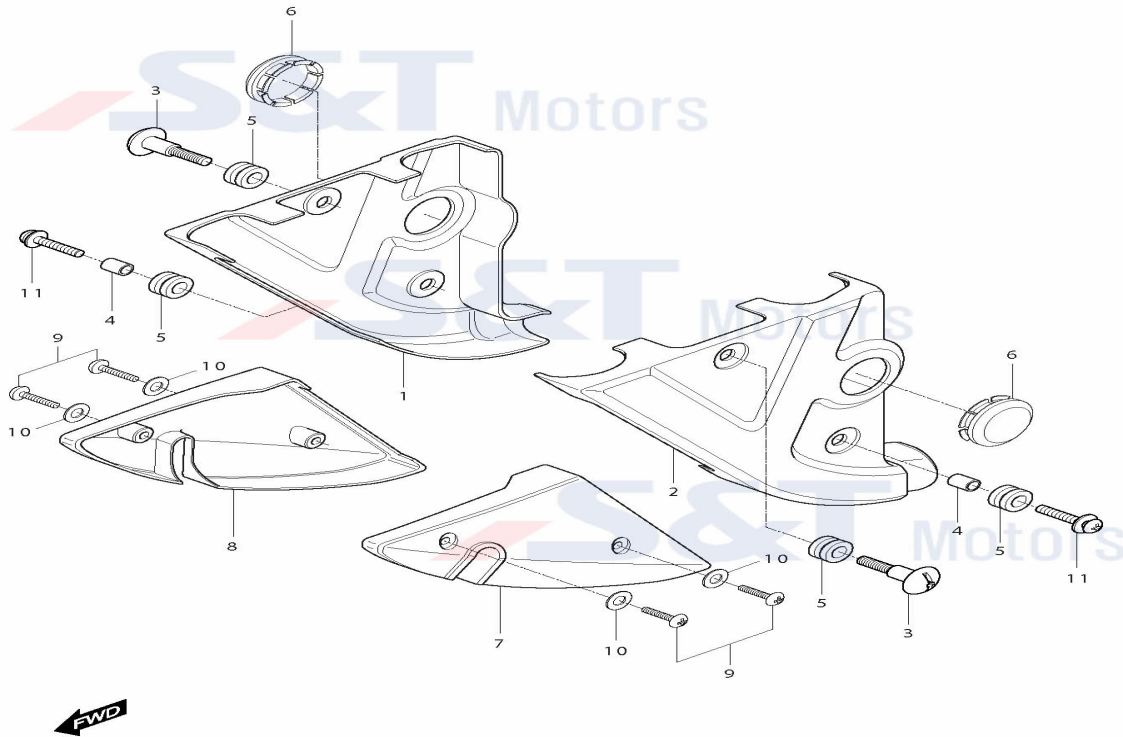
FIG 27



SEQ	PART CODE	PART NAME	U/S	REMARK
1	41100HA8410PAM	FRAME COMP (GV250N)	1	**DELPHI**
1	41100H88400PAM	FRAME COMP (GV250N)	1	
1-1	41100HA8411PAM	FRAME COMP (GV250N)	1	
2	09320-08018	CUSHION,FRAME COVER	2	
3	09320H06002	CUSHION (GV)	2	
4	08319-31106	NUT,BRACKET & CLAMP	3	
5	09103H10022	BOLT,CENTER STAND (GT250RN)	3	

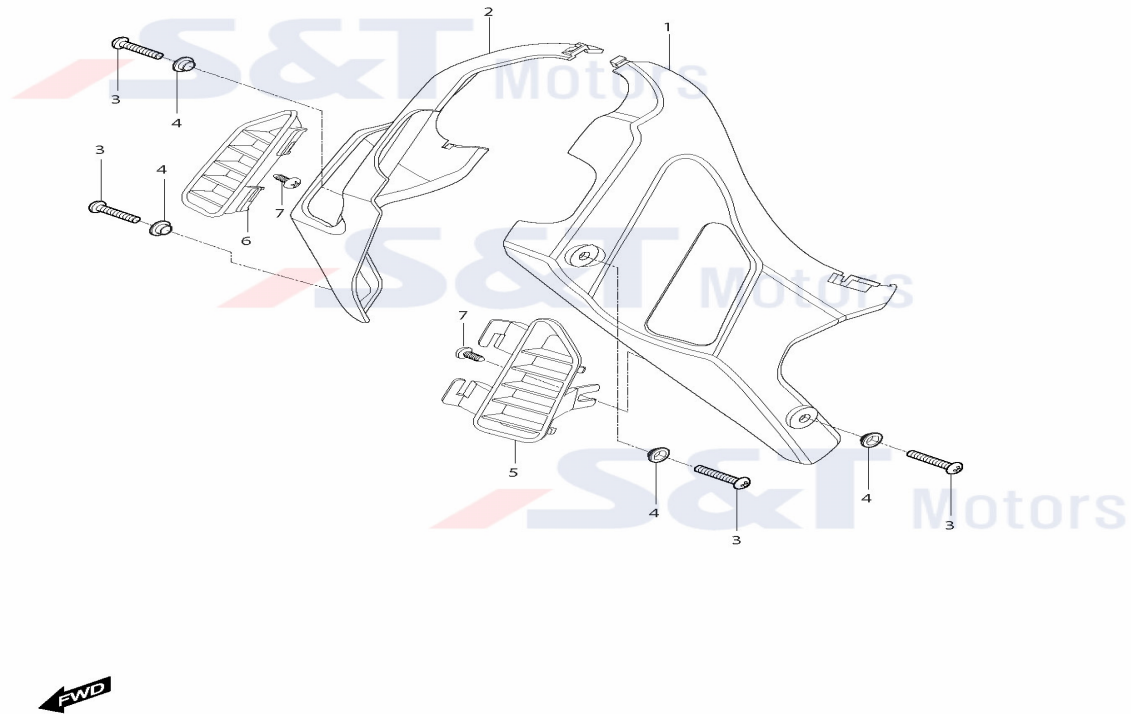


FIG.49



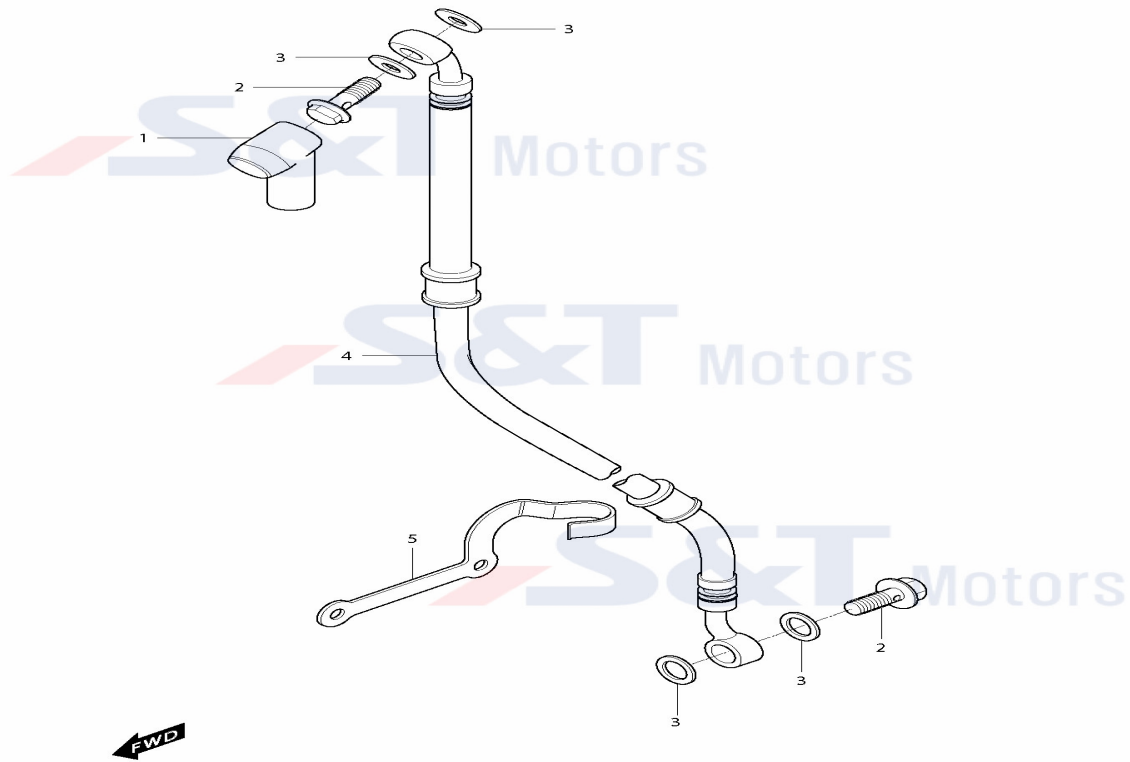
SEQ	PART CODE	PART NAME	U/S	REMARK
1	47121HG5101	COVER,SIDE LOWER RH (GV)	1	
1-1	47121HG510113P	COVER,SIDE LOWER RH (GV)	1	MY 14 (November, 2013~)
2	47221HG5101	COVER,SIDE LOWER L (GV)	1	
2-1	47221HG510113P	COVER,SIDE LOWER L (GV)	1	MY 14 (November, 2013~)
3	48242HE6100	BOLT,MOLD'G LEG SHIELD (FX)	2	
4	09180-06011	SPACER,BATT HOLE	2	
5	09320-09016	CUSHION,TOOL HOLDER	4	
6	47125HG5100	CAP,REAR SWINGARM PIVOT (GV)	2	
6-1	47125HG510013P	CAP,REAR SWINGARM PIVOT (GV)	2	MY 14 (November, 2013~)
7	47131HG5101	COVER,SIDE LOWER REAR RH (GV)	1	
7-1	47131HG510113P	COVER,SIDE LOWER REAR RH (GV)	1	MY 14 (November, 2013~)
8	47231HG5101	COVER,SIDE LOWER REAR L (GV)	1	
8-1	47231HG510113P	COVER,SIDE LOWER REAR LH (GV)	1	MY 14 (November, 2013~)
9	02142-05308	SCREW,OIL PUMP NO1	4	
10	08322-21058	WASHER,HEAD LAMP UNIT	4	
11	09136-06022	SCREW,COWLING	2	

FIG.48 (2009)



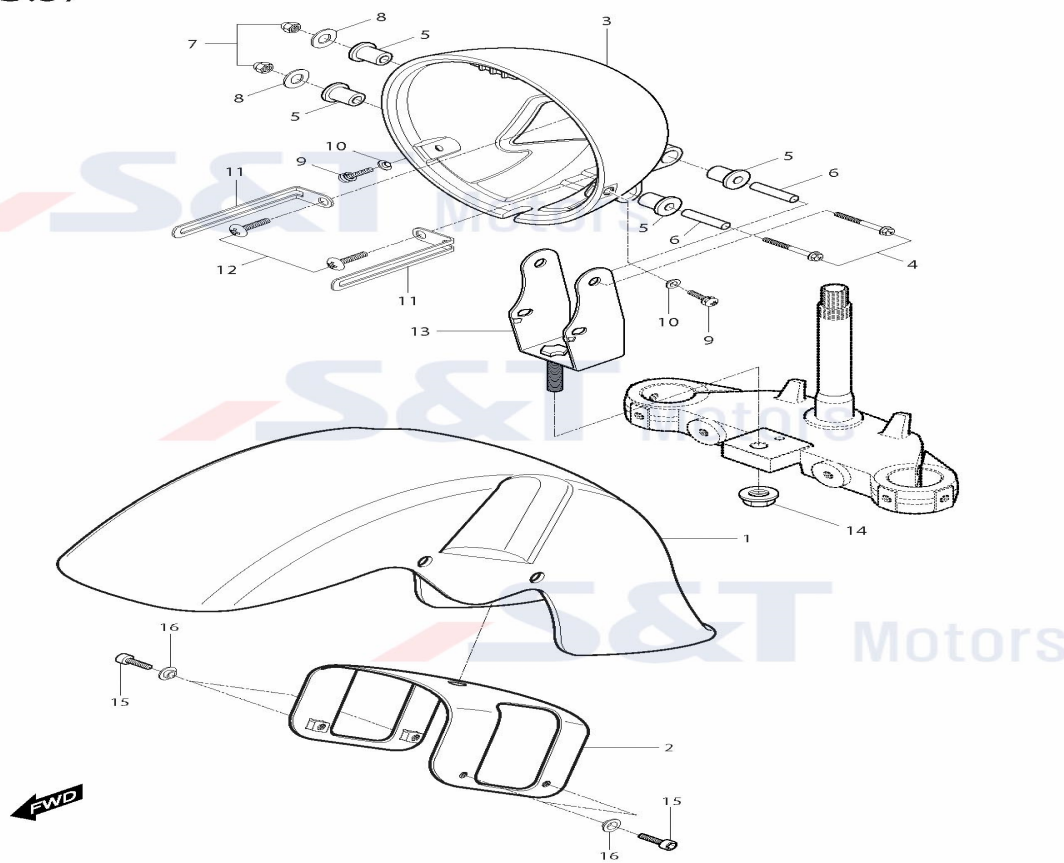
SEQ	PART CODE	PART NAME	U/S	REMARK
1	47511H88402TBK	COVER,FRAME HEAD R (GV250N)	1	
2	47521H88402TBK	COVER,FRAME HEAD L (GV250N)	1	
3	02142-05125	SCREW,HANDEL COVER FRONT&REAR	4	
4	09169-05009	WASHER,FRONT FORK COVER (SF)	4	
5	47512H88400	GRILL,FRAME HEAD COV R(GV250EI)	1	
6	47522H88400	GRILL,FRAME HEAD COV L(GV250EI)	1	
7	03241-05125	SCREW LOWER COVER CENT (EZ,	2	

FIG.43



SEQ	PART CODE	PART NAME	U/S	REMARK
1	59711H49002	BOOT,MASTER CYLINDER (TN,GA,GD)	1	
2	09360-10039	BOLT BRAKE FLUID (AG)	2	
3	09161-10009	WASHER,BRAKE FLUID (FX)	4	
4	59480H88400	HOSE,FRONT BRAKE (GV250NEI)	1	
5	59266HJ8200	CLAMP,BRAKE HOSE NO.1 (GV250)	1	

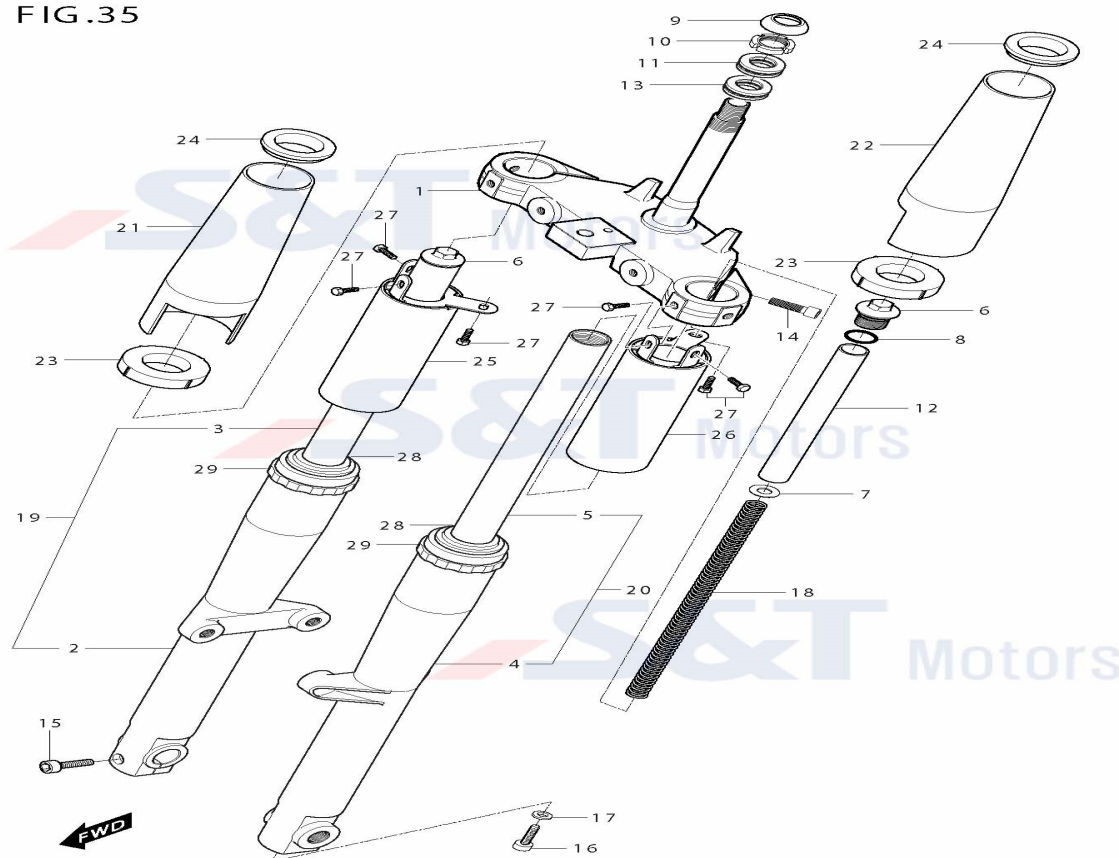
FIG.37



SEQ	PART CODE	PART NAME	U/S	REMARK
1-1-1	53111HJW100CRN	FRONT FENDER (GV250)	1	RED(TR2)+BLACK
1-1-2	53111HJW100CSN	FENDER,FRONT	1	SILVER+BLACK
1-1-3	53111HJW200CYC	FRONT FENDER(2011YR) (GV250N)	1	
1-1-4	53111HJ8202TWP	FRONT FENDER (GV250)	1	
1-1-5	53111HJW100CRR	FRONT FENDER (GV250N)	1	'2012.COLOR
1-2-1	53111HJ8202TBK	FRONT FENDER (GV250)	1	MY 14 (November, 2013~)
1-2-2	53111HJ8202TUM	FRONT FENDER (GV250)	1	MY 14 (November, 2013~)
1-2-3	53111HJ8202TWC	FRONT FENDER (GV250N)	1	
1-3-1	53111HJ8202EBK	FRONT FENDER (GV250)	1	MY15 / with TAPE
1-3-2	53111HJ8202EPR	FRONT FENDER (GV250)	1	MY15 / with TAPE
1-3-3	53111HJ8202EUM	FRONT FENDER (GV250)	1	MY15 / with TAPE
2	53211HJ8201	BRACE,FRONT FNEDER (GV250)	1	
3	51811HG5150	HOUSING,HEAD LAMP (GV125)	1	
4	09103H06013	BOLT,HEAD LAMP HOUSING&BKT(GV)	2	
5	09320H09017	CUSHION,HEAD LAMP HOUSING (GV)	4	
6	09180H06034	SPACER (GV)	2	
7	08313-11066	NUT,HEAD LAMP HOUSING&BKT (GV)	2	

8	09160-06060	WASHER,COMBI LAMP	2
9	02112-95208	SCREW	2
10	09169-05008	WASHER,HANDLE COVER NO1	2
11	09404-06405	CLAMP,WIRING HARNESS	2
12	03241-05106	SCREW,HEAD LAMP HOUSING CLA(GV	2
13	51820HJ8201	BRACKET,HEAD LAMP HOUSING(GV25	1
14	08319-31106	NUT,BRACKET & CLAMP	1
15	07110-08256	BOLT,FRONT FENDER (GV)	4
16	09169-08034	WASHER,FRONT FENDER	4

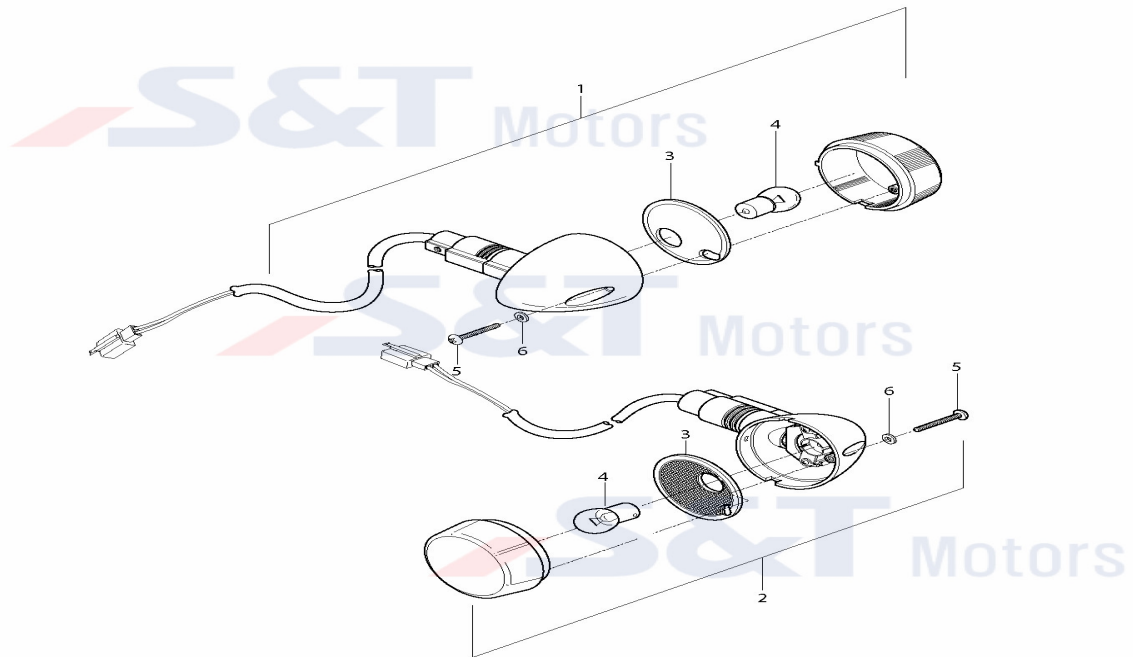
FIG.35



SEQ	PART CODE	PART NAME	U/S	REMARK
1	51410HJ8203	BRACKET COMP,UNDER (GV250)	1	
2	51420HJ8200	CASE BOTTOM R (GV250)	1	for OLD FORK ONLY
4	51520HJ8200	CASE BOTTOM L (GV250)	1	for OLD FORK ONLY
3&5	51415HG5100	FORK PIPE (GV125,250)	1	for OLD FORK ONLY
6	51351HG5100	BOLT,FORK (GV125)	2	for OLD FORK ONLY
8	91356HG5100	O-RING (GV125)	2	for OLD FORK ONLY
9	51643HG5801	DUST SEAL,STEERING UPPER (RX)	1	
10	51631-28000	NUT,STEERING	1	
11	09265H25001	BEARING,STEERING UPPER (RX)	1	
13	09265H28001	BEARING,STEERING LOWER (RX)	1	
14	07110-08258	BOLT,FRAME JOINT	2	
15	07110-08358	BOLT,PILLION RIDER	1	
16	07110-08256	BOLT,FRONT FENDER (GV)	1	
17	90544H93B00	WASHER,SOCKET (GAF)	2	for OLD FORK ONLY
18	51401H93B00	SPRING,CUSHION (GA)	2	for OLD FORK ONLY
19	51210H88400	DAMPER ASS'Y,R (GV250EI)	1	OLD / Must replace BOTH side of KYB fork
19-1	51210H88401	DAMPER,FT FORK R (GV250N)	1	KYB FORK
20	51220H88400	DAMPER ASS'Y,L (GV250EI)	1	OLD / Must replace BOTH side of KYB fork

20-1	51220H88401	DAMPER,FT FORK L (GV250N)	1 KYB FORK
21	51881HJ8200	COVER,FRONT FORK UPPER (GV250)	1
22	51881HJ8200	COVER,FRONT FORK UPPER (GV250)	1
23	51886HJ8200	CUSHION,FRONT FORK COVER NO.2	2
24	51885HJ8200	CUSHION,FRONT FORK COVER NO1	2
25	51882H88400PLT	COVER,FRONT FORK R (GV250)	1
26	51883H88400PLT	COVER,FRONT FORK L (GV250)	1
27	09128-06004	BOLT	6
28	51240-G5100	OIL SEAL (GV)	1 for OLD FORK ONLY
29	51241H88400	GUIDE,FRONT FORK LOWER COV(GV)	2

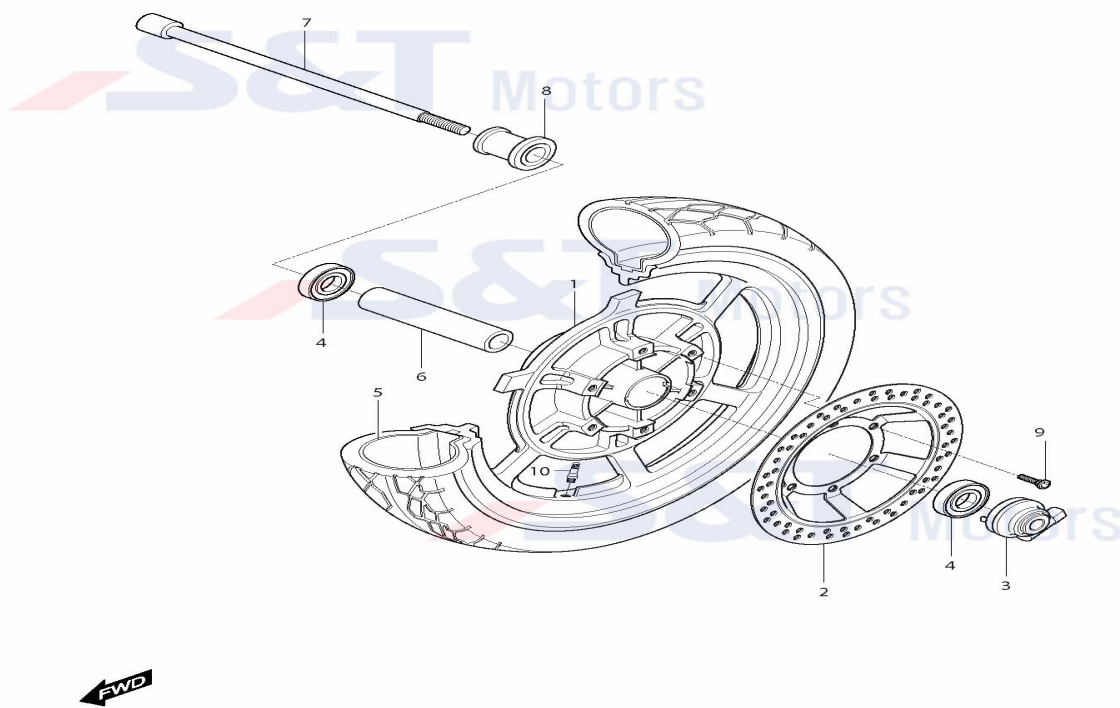
FIG.23



SEQ	PART CODE	PART NAME	U/S	REMARK
1	35601HS8400	LAMP ASSY,FT T/SIGNAL R(GV125)	1	
2	35602HS8400	LAMP ASSY,FT T/SIGNAL L(GV125)	1	
3	35614HJ8200	REFLECTOR,TURN SINGNAL (GV250)	2	
4	09471H12112	BULB(12V G18:RY10W) (GV650)	2	
6	35609H93B00	VINYL WASHER,T/SIGNAL	2	

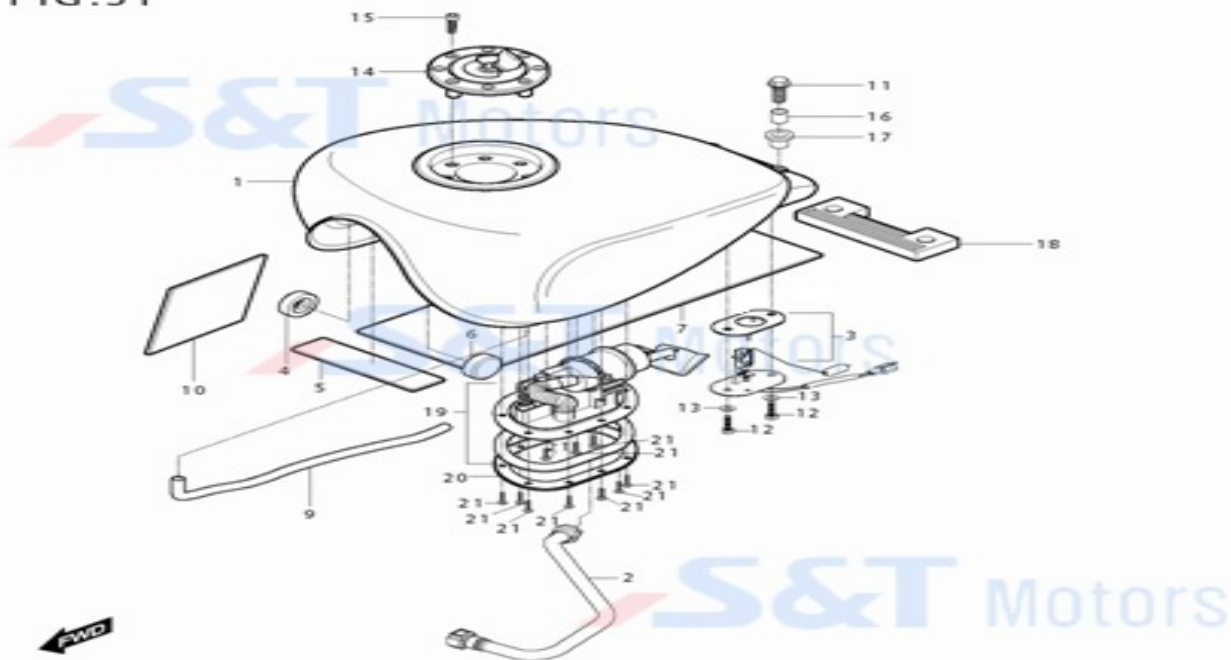


FIG.38



SEQ	PART CODE	PART NAME	U/S	REMARK
0	54140HG5100HPA	FRONT WHEEL ASS'Y (GV)	1	ADD. BEARING
1	54141HG5104	WHEEL,FRONT (GV)	1	
2	59211HG5101	DISK,FRONT BRAKE (GV)	1	
3	34860HP9201	SENSOR,SPEEDOMETER (GT650R)	1	
4	08124-63027	BEARING FRONT HUB R/L (GV)	2	
5	55100HJ8200	TIRE COMP,FRONT(110/90-16 59S)	1	
6	54731HG5100	SPACER (GV)	1	
7	54711HG5101	AXLE,FRONT (GV)	1	
8	54750HG5100	SPACER COMP,FRONT AXLE L(GV125)	1	
9	59421-03A01	BOLT,FRONT BRAKE DISK (SBS)	6	
10	55220-29C20	VALVE ASS'Y	1	

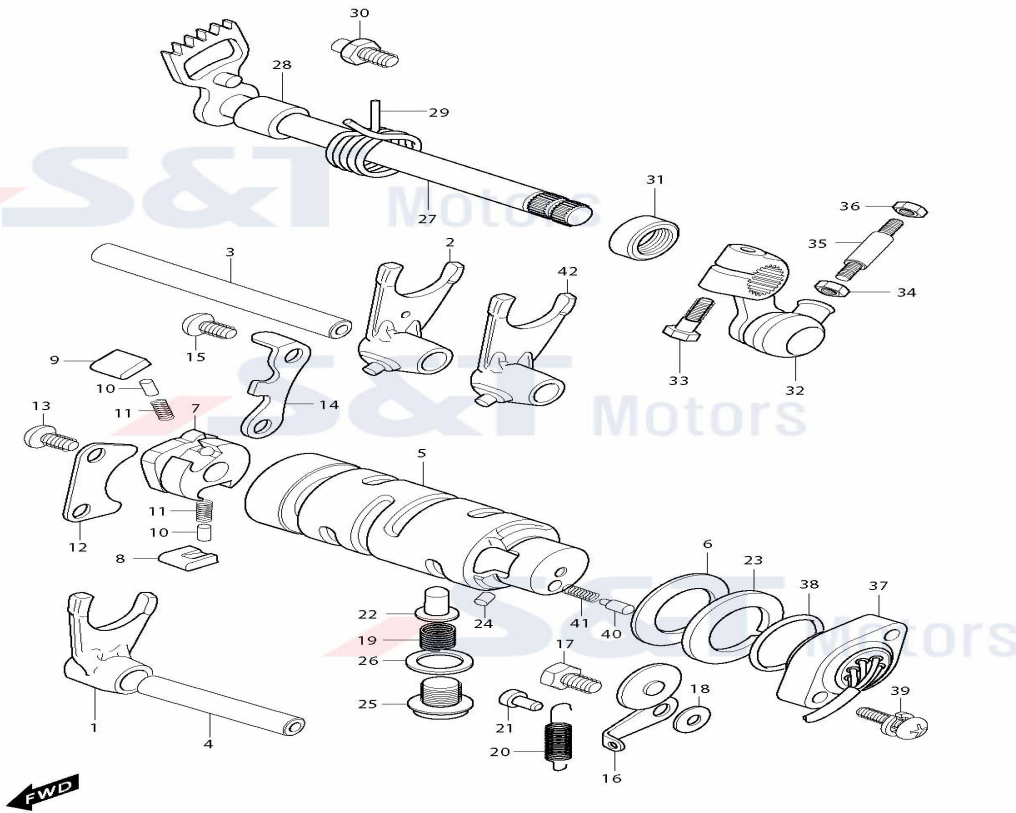
FIG.31



SEQ	PART CODE	PART NAME	U/S	REMARK
1-1-1	44110H88400CBK	FUEL TANK COMP (GV250EI)	1	
1-1-2	68120HP9550CR	EMBLEM,"AQUILA HYOSUNG"(GV650)	2	
1-1-3	68120HP9550CRB	EMBLEM,"AQUILA HYOSUNG"(GV250)	2	MY14, 15
1-2-1	44110HRW200DBK	FUEL TANK COMP (GV250N)	1	MY15
1-2-2	44110HRW200DPR	FUEL TANK COMP (GV250N)	1	MY15
1-2-3	44110HRW200DUM	FUEL TANK COMP (GV250N)	1	MY15
1-3-1	44110HRW200CBK	FUEL TANK COMP (GV250N)	1	MY 14 (November, 2013~)
1-3-2	44110HRW200CUM	FUEL TANK COMP (GV250N)	1	MY 14 (November, 2013~)
1-3-2-1	68120HP9550CRB	EMBLEM,"AQUILA HYOSUNG"(GV250)	2	MY 14 (November, 2013~)
1-3-3	44110HRW200CWC	FUEL TANK COMP (GV250N)	1	MY 14 (November, 2013~)
1-3-3-1	68120HP9550CRB	EMBLEM,"AQUILA HYOSUNG"(GV250)	2	MY 14 (November, 2013~)
1-1	44110HRW200CYC	FUEL TANK COMP(2011YR) (GV250)	1	
1-2	44110HRW200CSN	FUEL TANK COMP(2011YR) (GV250)	1	
1-3	44110HRW100CRN	FUEL TANK COMP(W/DECAL)(GV250N)	1	[2010/6/8]
1-4	44110HRW200CRN	FUEL TANK COMP(2011YR) (GV250)	1	
1-5	44110HRW100CSN	FUEL TANK COMP (GV250N)	1	

1-6	44110HRW200CRW	FUEL TANK COMP (GV250N)	1 '2011 NEW COLOR
1-7	44110HRW200CSW	FUEL TANK COMP (GV250N)	1 '2011 NEW COLOR
1-8	44110HRW200CRR	FUEL TANK COMP(2011YR) (GV250	1
2	15810H88400	HOSE,FUEL INJECTOR (GV250EI)	1
3-1	34810H88403SVC	FUEL SENDER GAUGE ASSY GV250	1
4	09329-10007	CUSHION	1
5	44213HG5100	CUSHION,FUEL TANK INN BODY(GV)	1
6	09329-10007	CUSHION	1
7	44214HR8400	CUSH,FUEL TANK INNER (GV250FI)	1
9	09352H70103650	HOSE,FUEL TANK (GV)	1
10	44215HR8400	CUSH,F/TNAK INNER (GV250FI)	2
11	09116H06084	BOLT,FUEL TANK REAR CUSHION(GV	2
12	09128-06035	BOLT,FUEL COCK	2
13	09168-06010	GASKET FUEL LEVEL GAUGE (GA)	2
14	44200H35C30	CAP,FUEL TANK FILL (GT125)	1
15	09106-05017	BOLT F/TANK FILLER CAP (GT250R	4
16	09180H06003	SPACER,FUEL TANK (GV)	2
17	09320-10022	CUSHION,FUEL TANK REAR NO2	2
18	44542-38300	CUSHION,FUEL TANK REAR NO1	1
19	15100H88400	PUMP ASSY,FUEL MODULE (GV250N)	1
19	15100HA8410	PUMP ASSY,FUEL MODULE (GV250N)	1 **DELPHI**
20	68120HP9550CR	EMBLEM,"AQUILA HYOSUNG"(GV650)	1
22	68319H05351PL	LABEL,CAUTION□□GT/GV/RT/RX	1

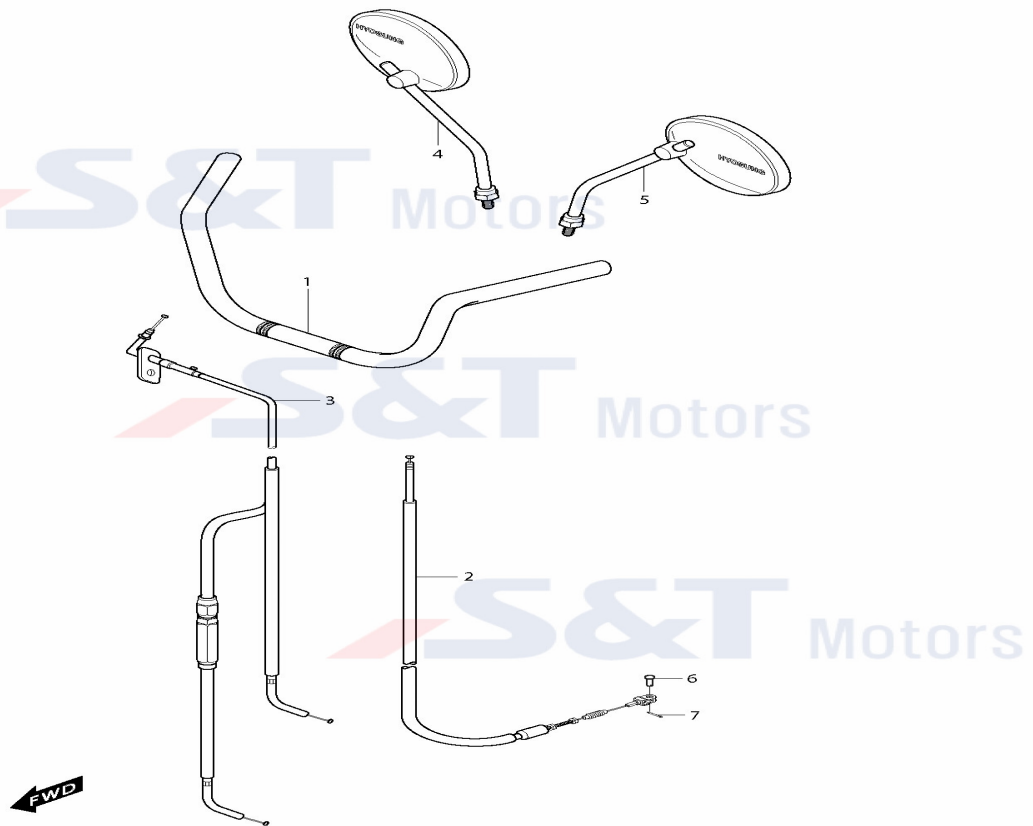
FIG.16



SEQ	PART CODE	PART NAME	U/S	REMARK
1	25211HJ8200	FORK,GEAR SHIFT NO1 (GV250)	1	
2	25231HJ8200	FORK,GEAR SHIFT NO3 (GV250)	1	
3	25411-05201	SHAFT GEAR SHIFT FORK NO1	1	
4	25421-35403	SHAFT SHIFT FORK (GV250N)	1	
5	25310HJ8200	CAM COMP,GEAR SHIFT (GV250)	1	
5-1	25310HJ8200HPA	CAM GEAR SHIFT ASS'Y (GV250)	1	
6	08211-25401	WASHER,GEAR SHIFT CAM	1	
7	25322-31301	GEAR,SHIFT CAM DRVN(TN,RG,GS)	1	
8	25323-34201	PAWL,GEAR SHIFT NO1(TN,RG,GS)	1	
9	25324-34201	PAWL,GEAR SHIFT NO2(TN,RG,GS)	1	
10	09261-05003	PIN,GEAR SHIFT	2	
11	09440-04003	SPRING,GEAR SHIFT PLATE	2	
12	25331-30000	LIFTER,GEAR SHIFT (TN,RG,GS)	1	
13	02122-06128	SCREW,OL GR SH	2	
14	25341HG5100	GUIDE,GEAR SHIFT CAM (GV)	1	
15	02122-06128	SCREW,OL GR SH	2	
16	25350HG5100	STOPPER,GEAR SHIFT CAM (GV)	1	
17	09111-06019	BOLT,GEAR SHIFT CAM STOP	1	

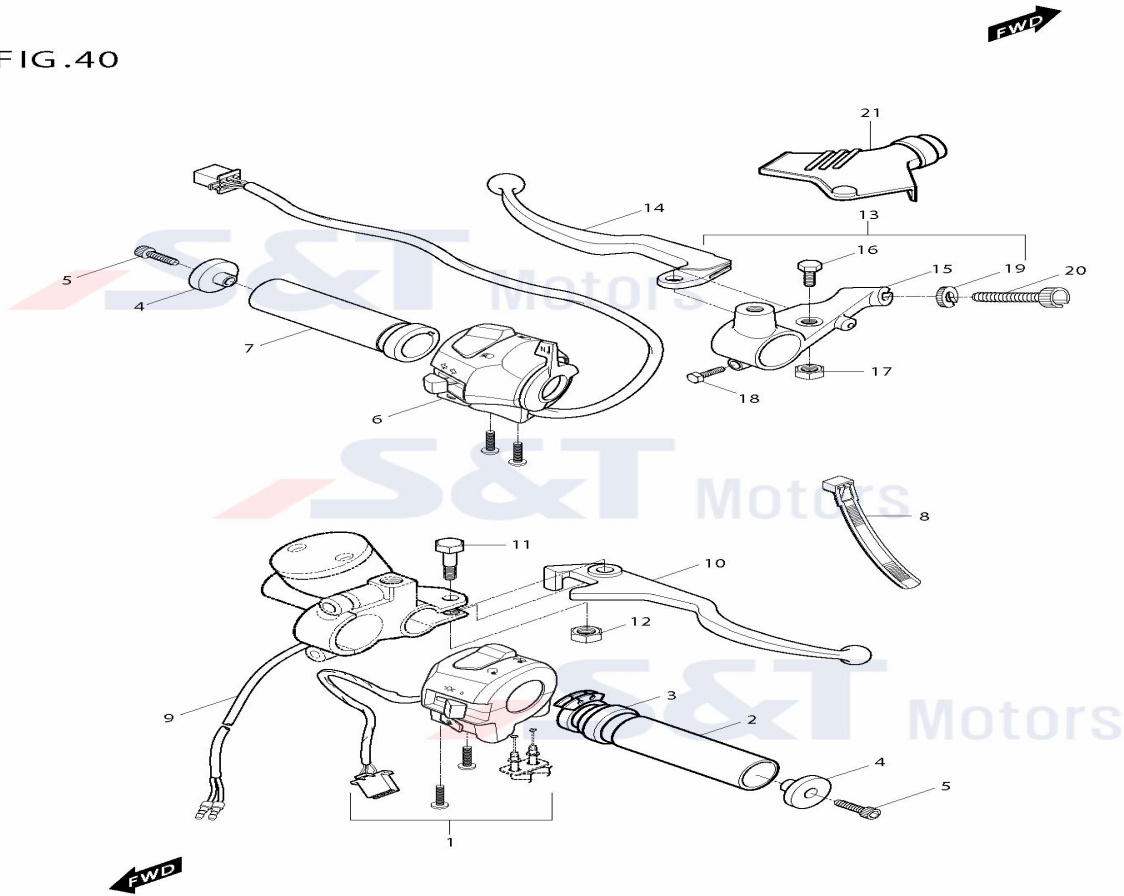
18	08211-06141	WASHER,GEAR SHIFT CAM	1
19	09440H11020	SPRING,GEAR SHIFT CAM STOPP(GV	1
20	09443H08044	SPRING,GEAR SHIFT CAM STOPPER	1
21	09223-04001	HOOK,GEAR SHIFT CAM	1
22	25351-30010	STOPPER,GEAR SHIFT CAM N.	1
23	25381-45400	PLATE,GEAR SHIFT CAM STOPPER	1
24	04221-04069	PIN,GEAR SHAFT CAM	1
25	09247-14026	PLUG,BOLT	1
26	09168H14003	GASKET,OIL CHECK PLUG (SB)	1
27	25510HG5101	SHAFT COMP,GEAR SHIFT (GV250)	1
28	09180-12068	SPACER,SHAFT GEAR SHTG	1
29	09444-26013	SPRING	1
30	25671-01000	STOPPER,GR SHIFT	1
31	09285-12002	OIL SEAL,GEAR SHIFT (GV250)	1
32	25520-32C00	ARM COMP,G/SHIFT LINK (GD)	1
33	01107-06208	BOLT,GEAR SHIFT	1
34	08310-11068	NUT	1
35	25525HG5101	ROD,GEAR SHIFT LINK 292MM (GV)	1
36	09140-06011	NUT,GR SHIFT LINK LH	1
37	37720HR8401	SWITCH ASS'Y,NEUTRAL (GV250N)	1 2012/09 /21
38	09280-26003	O/RING,GEAR SHIFT SWITCH	1
39	02112-95208	SCREW	2
40	09209-05011	CONTACT,GEAR S SWITCH	1
41	09440-04010	SPRING,GEAR SWITCH	1
42	25221HJ8200	FORK,GEAR SHIFT NO2 (GV250)	1

FIG.39



SEQ	PART CODE	PART NAME	U/S	REMARK
1	56110H88401WED	HANDLEBAR COMP (GV250N)	1	
2	58200H88400	CABLE ASSY,CLUTCH (GV250EI)	1	
3	58300HR8401	THROTTLE CABLE (GV250FI)	1	
3-1	58300H88402	CABLE ASS'Y,THROTTLE (GV250N)	1	
4	56500HG5150	MIRROR REAR VIEW R (GV125)	1	
5	56600HG5150	MIRROR REAR VIEW L (GV125)	1	
6	09200-06004	PIN,CLUTCH	1	
7	04111-20158	COTTER PIN	1	
8	56501HG5151	MIRROR ASS'Y,REAR VIEW SET(GV)	1	

FIG.40

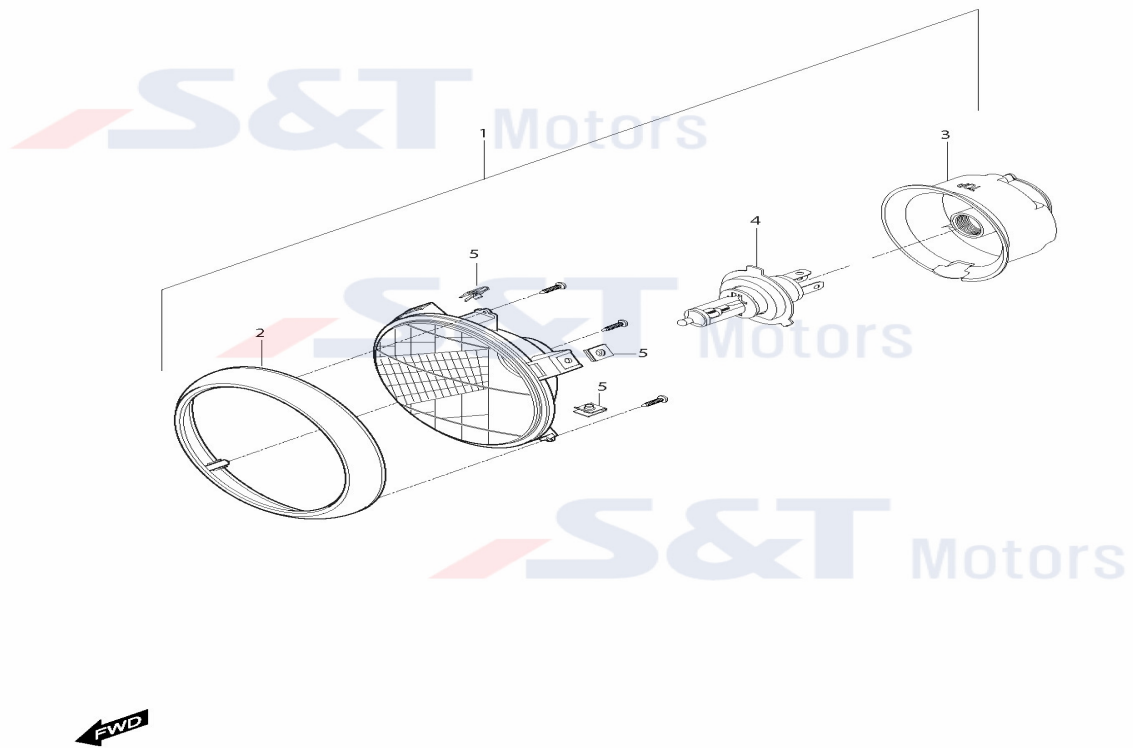


SEQ	PART CODE	PART NAME	U/S	REMARK
1	37200HR8400	SWITCH ASS'Y,HANDLE R (GV250N)	1	
1	37200HR8400	SWITCH ASS'Y,HANDLE R (GV250N)	1	**DELPHI**
2	57110HG5103	GRIP COMP,THROTTLE (GV125)	1	
3	57113H93B00	COVER,THROTTLE GRIP	1	
4	56271H93B01PLT	BALANCER,HANDLE BAR (GA)	2	
5	07110-08258	BOLT,FRAME JOINT	2	
6	37400HR8400	SWITCH ASS'Y,HANDLE L(GV250FI)	1	
7	57210HG5100	GRIP COMP,L (GV)	1	
8	09407-20406	CLAMP,WIRING HARNESS (GV250)	1	
9	57460H93B00	SWITCH ASSY,STOP (GA)	1	
10	57421HJ8200	LEVER,BRAKE (GV250)	1	
11	57431H18622	BOLT,BRAKE LEVER	1	
12	08319-21068	NUT,BRAKE LEVER	1	
13	57500HG5160	LEVER ASS'Y,CLUTCH (GV)	1	
13-1	57460HJ8250	SWITCH,ASS'Y,CLUTCH (GV250)	1	
14	57620HP9500	LEVER COMP,CLUTCH (GV650)	1	
15	57511HJ8204	HOLDER,LEVER (GV250)	1	
16	57431H18623	BOLT BRAKE LEVER PIVOT (GA)	1	

17	08319-21068	NUT,BRAKE LEVER	1
18	57531HN9100	BOLT,CLUTCH LEVER PIVOT(GT650	1
19	57442H93B00	LOCK NUT	1
20	57441H93B00	WIRE ADJUSTER (GA)	1
21	57661HN9100	COVER,REAR BRAKE LEVER (SF50R	1

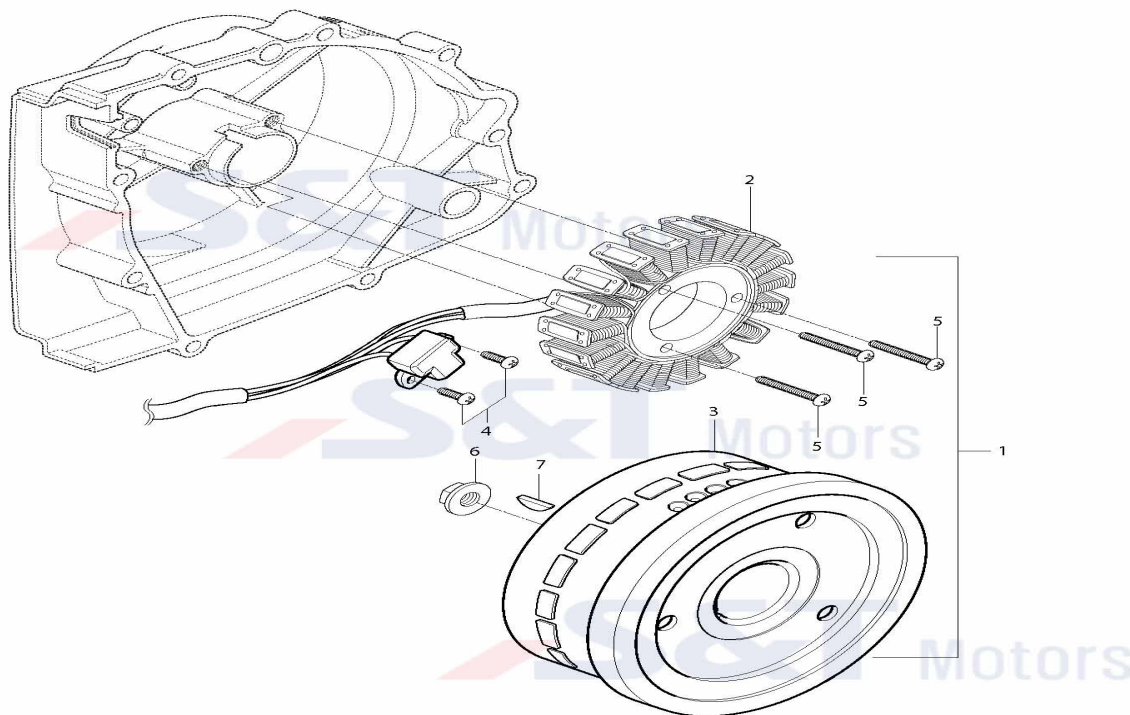


FIG.22



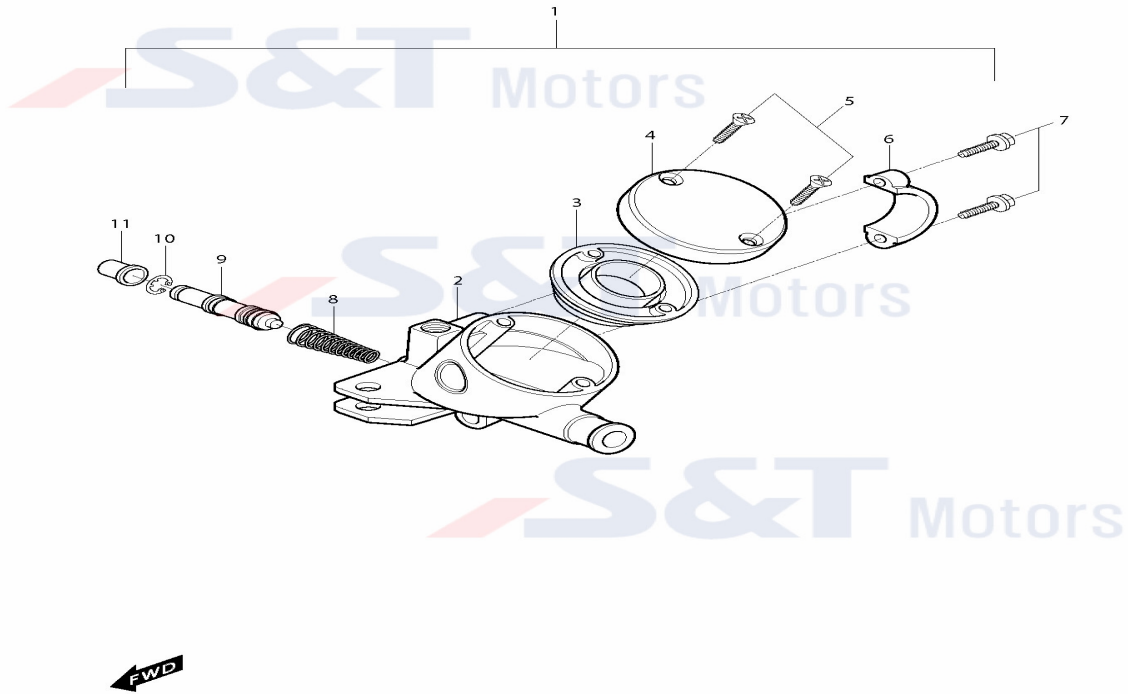
SEQ	PART CODE	PART NAME	U/S	REMARK
1	35100HM8162	HEAD LAMP ASS'Y (GV250)	1 EG02	
2	35111HM8100	RIM,HEAD LAMP (GT250)	1	For 35100HM81** only
3	35173HM8100	DUST COVER (GT250)	1	
4	09471H12103	BULB,HEAD LAMP(12V H4 60/55W)	1	
5	09148-05039	NUT HEADLAMP COWLING (GSX)	3	

FIG 18



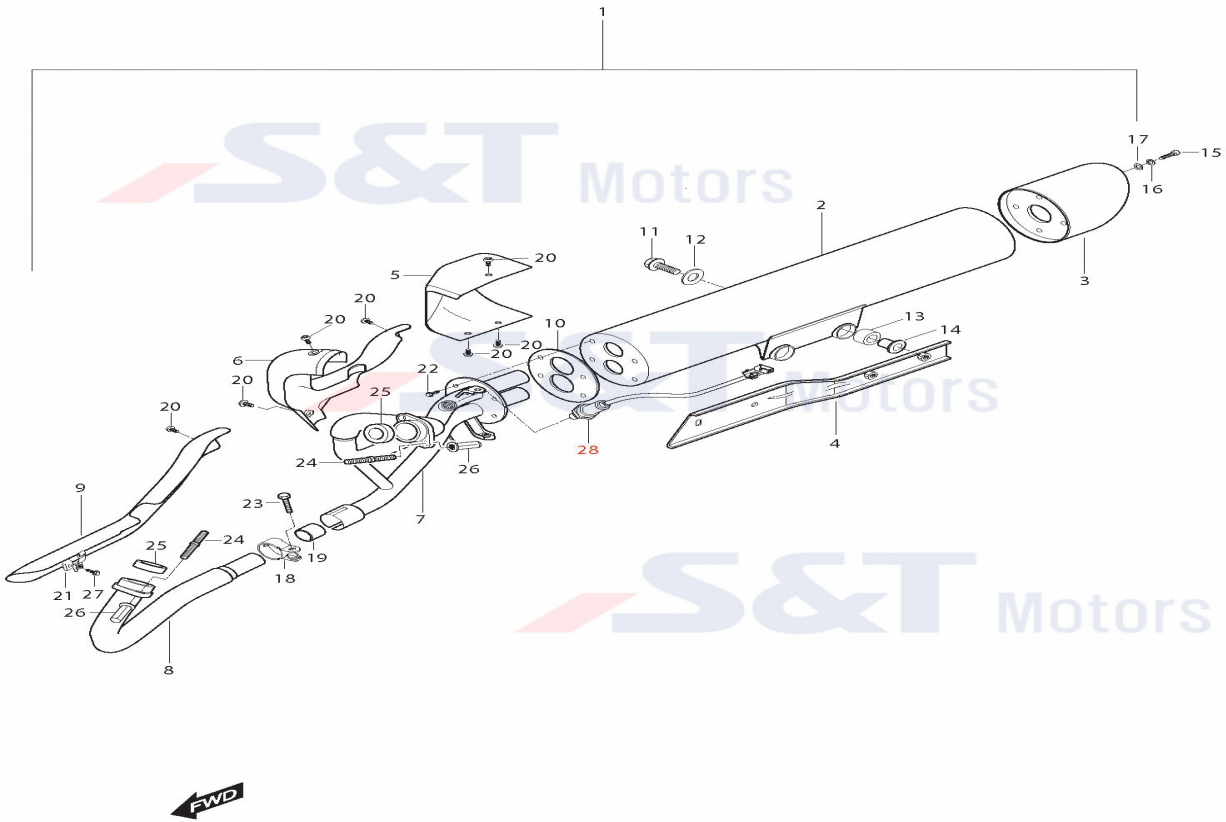
SEQ	PART CODE	PART NAME	U/S	REMARK
1	32100H88400	MAGNETO ASS'Y (GV250EI)	1	
1	32100HA8410	MAGNETO ASS'Y (GV250EI)	1	**DELPHI**
1-1	32100HA8411	MAGNETO ASS'Y (GV250N)	1	=32100HA8410
1-2	32100HA8413	MAGNETO ASS'Y (GV250N)	1	From Jun 15 / Must with 32800HN9121
2	32101H88400	STATOR ASS'Y (GV250N)	1	for 32100H88400 only
4	02142-05128	SCREW,BATTERY COVER	2	NOT SALE
5	02112-05258	SCREW,ENGINE SPROCKET COVER	3	
6	08316-26128	NUT,MAGNET FLY	1	
7	08341-31049	KEY,PRIMARY DRIVEN GEAR	1	cor. 09420H04001
7-1	09420H04001	KEY,MAGNETO (GT650)	1	

FIG.42



SEQ	PART CODE	PART NAME	U/S	REMARK
1	59600HG5102	CYLINDER FRONT MASTER (GV)	1	"S&T" Marked
1-1	59600HG5106	CYLINDER FRONT MASTER (GV)	1	"KR" Marked
2	59661H93B00	BODY,MASTER CYLINDER	1	
3	59686H93B00	DIAPHRAGM MAST CYL. (GA)	1	
4	59669H93B00	CAP,RESERVOIR (GA)	1	
5	59691H93B00	SCREW,RESERVOIR (GA)	1	
6	59671H93B00	HOLDER (GA)	1	
7	59693-45100	BOLT (GA)	1	
8	59621-36500	SPRING RETURN M/CYLINDER (GA)	1	
9	59611-36500	PISTON,MASTER CYLINDER (GA)	1	
10	59665-36500	CIRCRIP (GA)	1	
11	59666-54100	BOOT COMP (GA)	1	

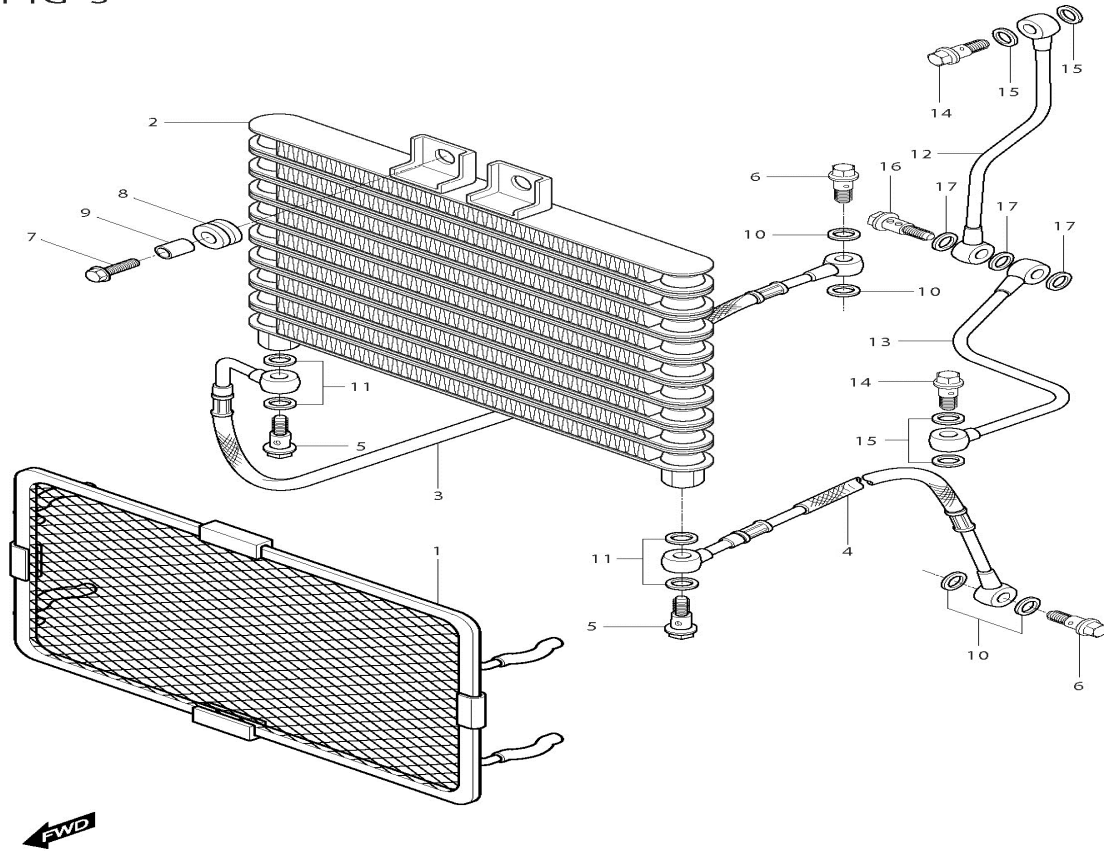
FIG 12



SEQ	PART CODE	PART NAME	U/S	REMARK
1	14305H88400PLH	MUFFLER ASS'Y (GV250EI)	1	
1	14305HA8510HPA	MUFFLER ASSEMBLY (GV250N)	1	=14305HA8510PLH
2-1	14310H88400	BODY COMP,MUFFLER (GV250EI)	1	14305H88400
2-2	14305H88400	BODY COMP,MUFFLER ASSY(GV250N)	1	
2-3	14305HA8410	BODY COMP,MUFFLER ASSY(GV250N)	1	DELPHI
2-4	14305HA8411	BODY COMP,MUFFLER ASSY(GV250N)	1	KR MARK
2-4-1	14780HA8411	BODY COVER,MUFFLER (GV250N)	1	KR MARK
3	14790HR5200	COVER,MUFFLER REAR (GV125CAT)	1	
4	14410HR5200	BRACKET,MUFF SUPPORT(GV125CAT)	1	
5	14711HR5200	COVER,EXHAUST JOINT (GV125CAT)	1	
6	14730HR8400	COVER,EXHAUST REAR PIPE(GV250)	1	
7	14160HR8401	PIPE,EXHAUST REAR (GV250FI)	1	
7	14160HA8410	PIPE,EXHAUST REAR (GV250N)	1	**DELPHI**
8	14150HR5200	PIPE,EXHAUST FRONT (GV250)	1	
8	14150HA8410	PIPE,EXHAUST FRONT (GV250N)	1	**DELPHI**
8-1	14150HA8411	PIPE,EXHAUST FRONT (GV250N)	1	

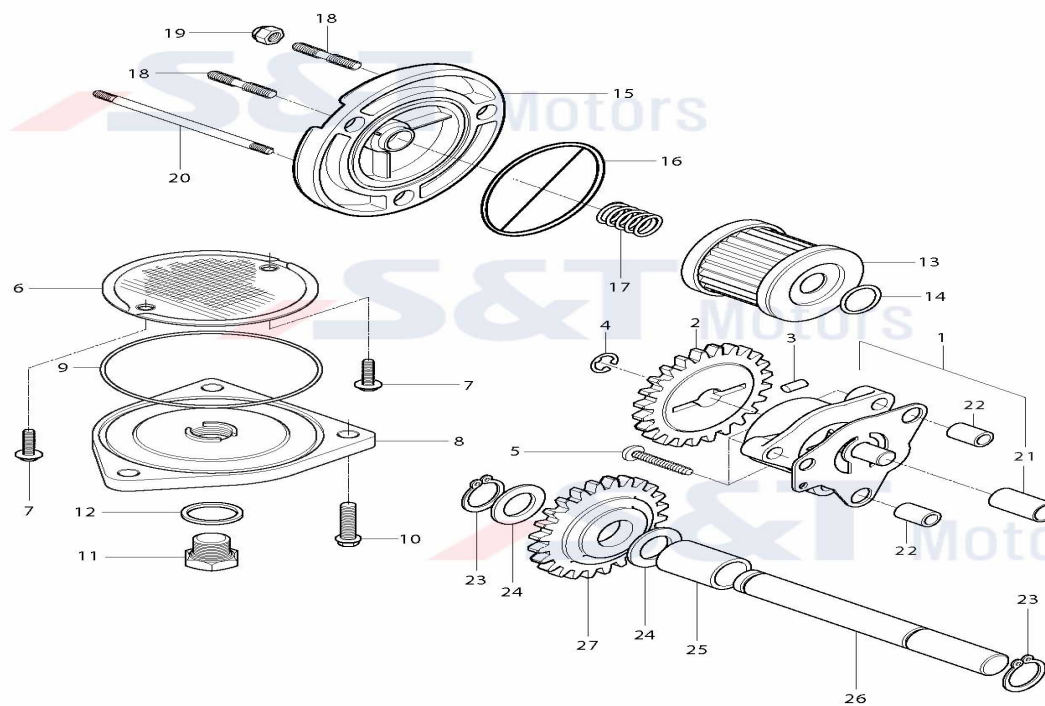
8-2	14150HA8412	PIPE,EXHAUST FRONT (GV250N)	1
9	14721HR5200	COVER,EXHAUST PIPE FRONT(GV125	1
10	14314HR5200	GASKET,MUFFLER BODY (GV125CAT)	1
9	14721HA8410	COVER,EXHAUST PIPE FRONT(GV250	1 **DELPHI**
11	01517-08468	BOLT E/G M.T.G UPPER (GV650)	2
12	09160-08002	WASHER,MUFFLER 2ND	2
13	09320H12059	CUSHION MUFFLER BRACKET(GT650R	2
14	41160HN9101	SPACER COMP,MUF BRACKET(GT650)	2
15	09106H06001	BOLT,MUFFLER FRONT (GV650)	4
16	08321-31068	LOCK WASHER	4
17	08322-21068	WASHER HEAD LAMP AIMING	4
18	14770HG5101PAM	CONNECTOR EXHAUST PIPE (GV)	1
19	14773HG5101	GASKET,CONNECTOR (GV)	1
20	09119H06001	BOLT,MUFFLER COVER (GV)	7
21	14776HR5200	CLAMP,EXHAUST FRONT PIPE(GV125	1
22	09106H06001	BOLT,MUFFLER FRONT (GV650)	4
23	01137-08358	BOLT,MUFFLER SUPPORT	1
24	01421-08258	STUD BOLT,EXHAUST PIPE (FX)	4
25	14181-46E00	GASKET EXHAUST PIPE (GSX)	2
26	09143H08001	NUT,EXHAUST PIPE (GV)	4
27	09106H06031	BOLT,EXHAUST PIPE COVER CLAMP	1
28	37950H89300	SENSOR ASS'Y, OXYGEN (GV650EI)	1
28-1	37950H99D02	SENSOR ASS'Y, OXYGEN (GV700C)	2

FIG 3



SEQ	PART CODE	PART NAME	U/S	REMARK
1	16810HJ8201	GRILL COMP,OIL COOLER (GV250)	1	
2	16600HJ8200121	COOLER ASS'Y OIL □□(GV250)	1	BLACK
3	16460HJ8200	HOSE,OIL COOLER NO1 (GV250)	1	
4	16470HJ8200	HOSE,OIL COOLER NO2 (GV250)	1	
5	09360H12007	BOLT UNION (GA)	2	
6	09360H10034	BOLT UNION (GF)	2	
7	09116-06143	BOLT OIL COOLER (GSX)	2	
8	09320-10015	CUSHION OIL COOLER (GA)	2	
9	09180-06030	SPACER	2	
10	09161-10009	WASHER,BRAKE FLUID (FX)	4	
11	09168-14011	GASKET (GT250)	4	
12	11280HG5101	PIPE COMP,OIL FRONT (GV)	1	
13	11290HG5101	PIPE COMP,OIL GEAR (GV)	1	
14	09360H10034	BOLT UNION (GF)	2	
15	09161-10009	WASHER,BRAKE FLUID (FX)	4	
16	15331HG5101	UNION BOLT,OIL PIPE LOWER (GV)	1	
17	09161-10009	WASHER,BRAKE FLUID (FX)	3	

FIG 13

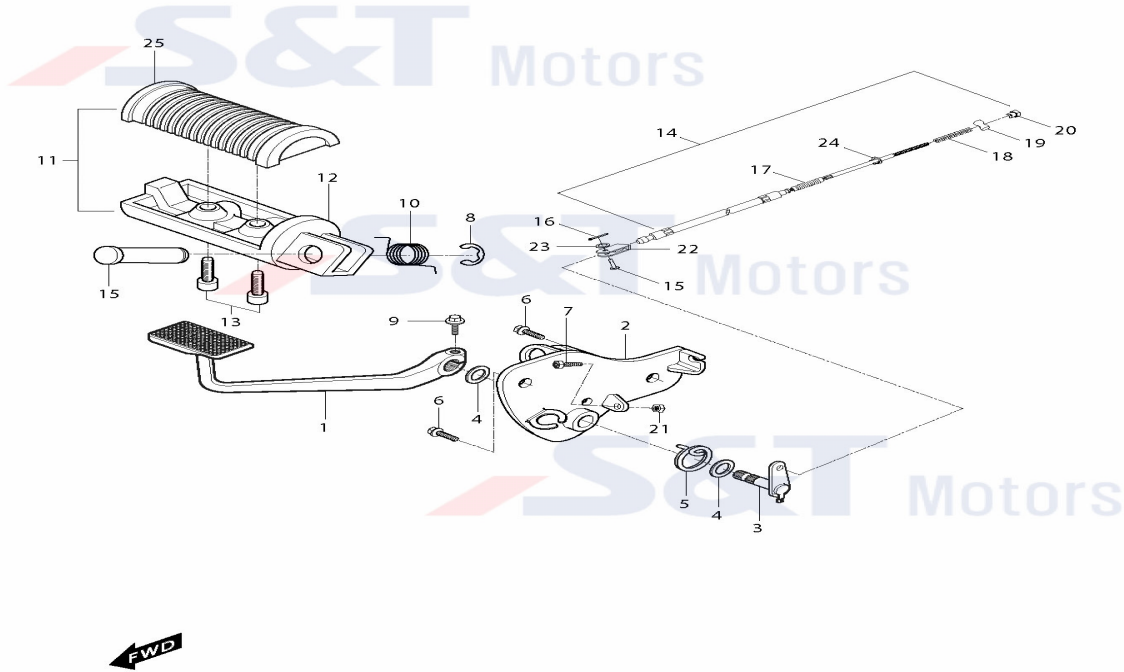


SEQ	PART CODE	PART NAME	U/S	REMARK
1	16400HG5103	PUMP ASS'Y, OIL (GD250N)	1	
2	16331HG5102	GEAR,OIL PUMP DRVN (GV)	1	
3	09261-02001	PIN,OIL PUMP	1	
4	08332-11069	CIRCLIP,OIL PUMP DRIVE GEAR	1	
5	02112-06258	SCREW (GV650)	3	
6	16520-05202	STRAINER,ENG OIL	1	
7	02112-95126	SCREW,ENGINE OIL STATER	2	
8	16523-05200	CAP,OIL STRAINER	1	
9	09280-60005	O/RING,OIL STRAINER CAP	1	
10	01547-06208	BOLT,OIL STRAINER CAP	3	
11	09247-14019	PLUG,OIL DRAIN (GT650)	1	
12	09168H14003	GASKET,OIL CHECK PLUG (SB)	1	
13	16510-05240HAS	FILTER,ENGINE OIL (TN,RG,GS)	1	
14	09280-13004	O/RING,OIL FILTER	1	
15	16512HG51000BF	CAP,OIL FILTER (GV)	1	
15-1	16512HG510013P	CAP,OIL FILTER (GV)	1	MY 14 (November, 2013~)
16	09280-54001	O/RING,OIL FILTER CAP	1	
17	09440-18002	SPRING,OIL FILTER CAP	1	

18	01421-06128	STUD BOLT,OIL FIL	2
19	08313-11068	NUT	3
20	01421-06658	BOLT (GV)	1
21	16419HG5100	BUSH,OIL PUMP (GV)	1
22	09206-08001	PIN,MAGNET COVER (GT&GV)	2
23	08331-31109	CIRCLIP (GV)	2
24	08211-10181	WASHER (GV)	2
25	09180H10022	SPACER,OIL PUMP IDLE GEAR (GV)	1
26	16451HG5101	SHAFT,OIL PUMP IDLE GEAR (GV)	1
27	16431HG5104	GEAR,OIL PUMP IDLE (GV)	1



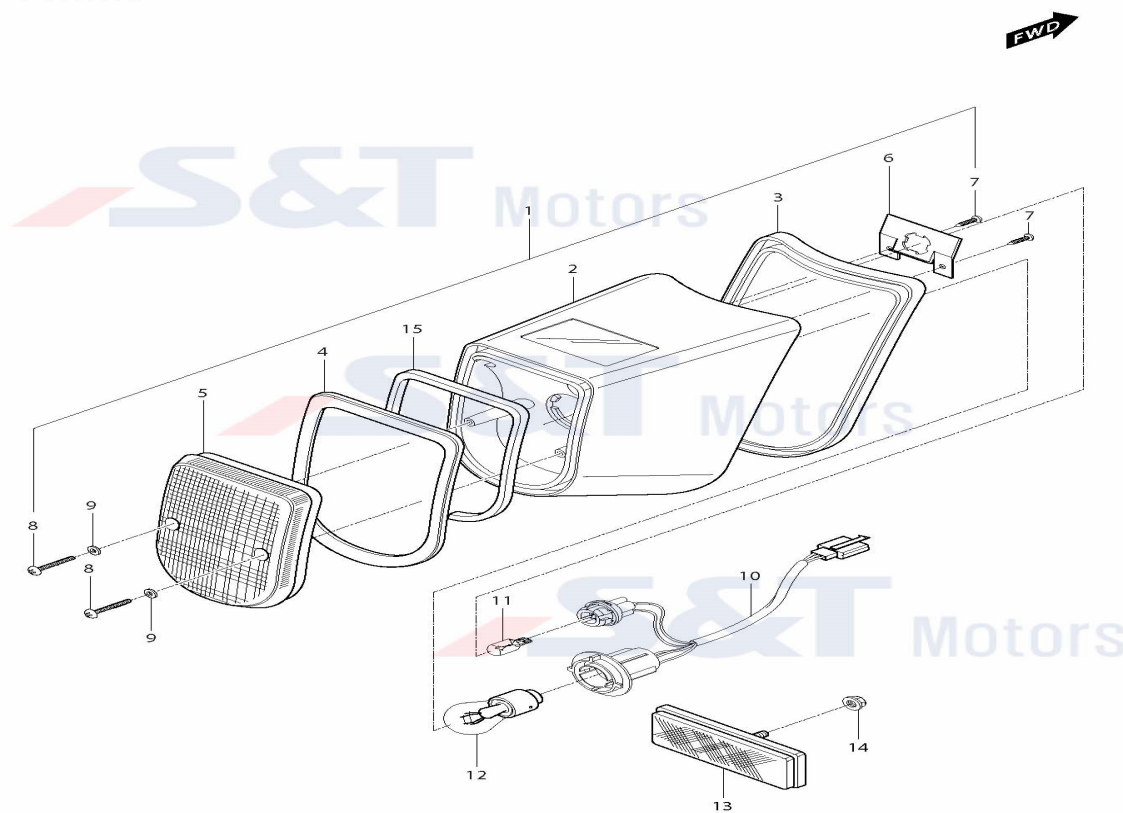
FIG.29



SEQ	PART CODE	PART NAME	U/S	REMARK
1	43110HD6301PLA	PEDAL COMP,BRAKE (GV)	1	
1-1	43110HD6302PLT	PEDAL COMP,BRAKE (GV250N)	1	=43110HD6302PLA
2	43510HG5102PLT	BKT COMP,FRONT FOOTREST R (GV)	1	
3	43120H93B00	ARM COMP BRAKE ROD (GA)	1	
4	43212-04A00	WASHER,BRAKE PEDAL	1	
5	43213-29B00	SPRING,BRAKE PEDAL	1	
6	01527-10258	BOLT PILLION FOOTREST LH (GA)	2	
7	09128-06005	BOLT,FUEL COCK	1	
8	08332-11106	E-RING FOOTREST RH/LH (GA)	1	
9	01517-06206	BOLT,FUEL COCK	1	
10	09448H16001	SPRING (GA)	1	
11	43501H93B11	FOOTREST ASSY,FRONT R□□(GV)	1	
12	43571H93B02	NULL	1	
13	07110-06128	BOLT,SEAT LOCKER	2	
14	58500HG5102	CABLE,REAR BRAKE (GV)	1	
15	09200H12001	PIN (GV250N)	1	
16	04111-20206	COTTER PIN,STRG SHAFT	1	
17	58515H93B00	D/SEAL-2 REAR BRAKE CABLE(GA)	1	

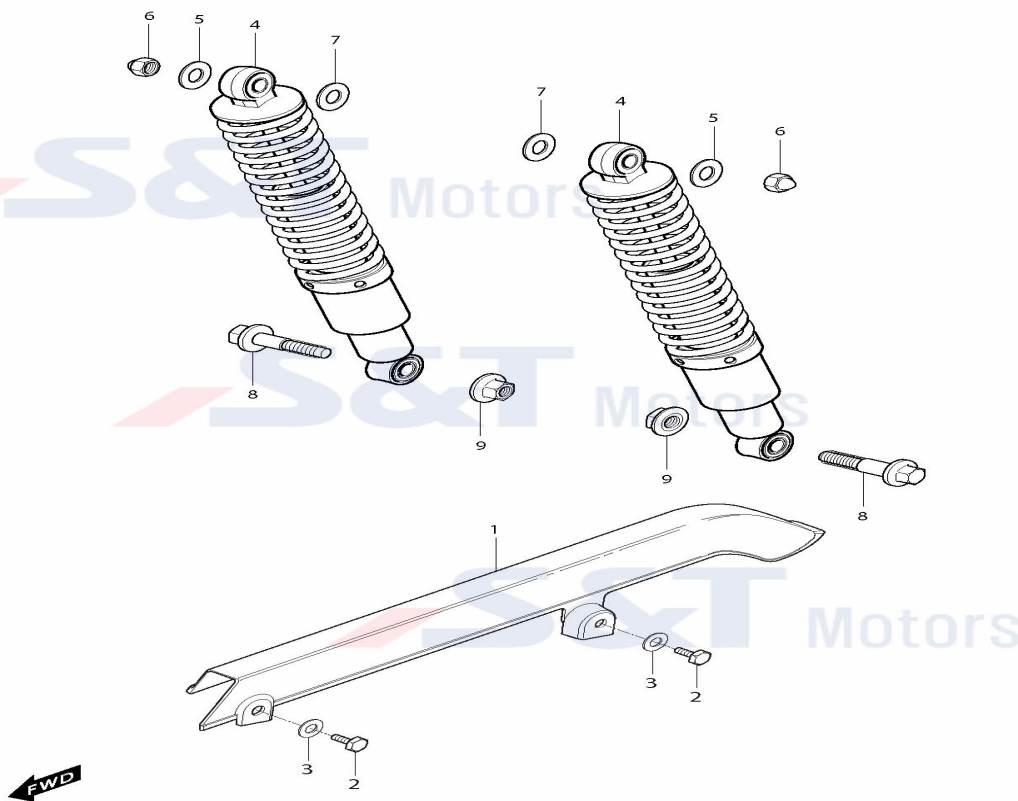
18	09440-09004	SPRING RR BRAKE ADJUSTER (GA)	1
19	09209H11006	PIN RR BRAKE CABLE ROD LV(GA)	1
20	09150-06001	NUT RR BRAKE CABLE ROD ADJ(GA)	1
21	08310-11066	NUT,TOOL HOLDER	1
22	43533-35C00	HOLDER,FRONT FOOTREST (GD)	1
23	08322-21068	WASHER HEAD LAMP AIMING	1
24	08332-21068	WASHER PLATE (GA)	1
25	43550H93B00	RUBBER COMP	1

FIG.26



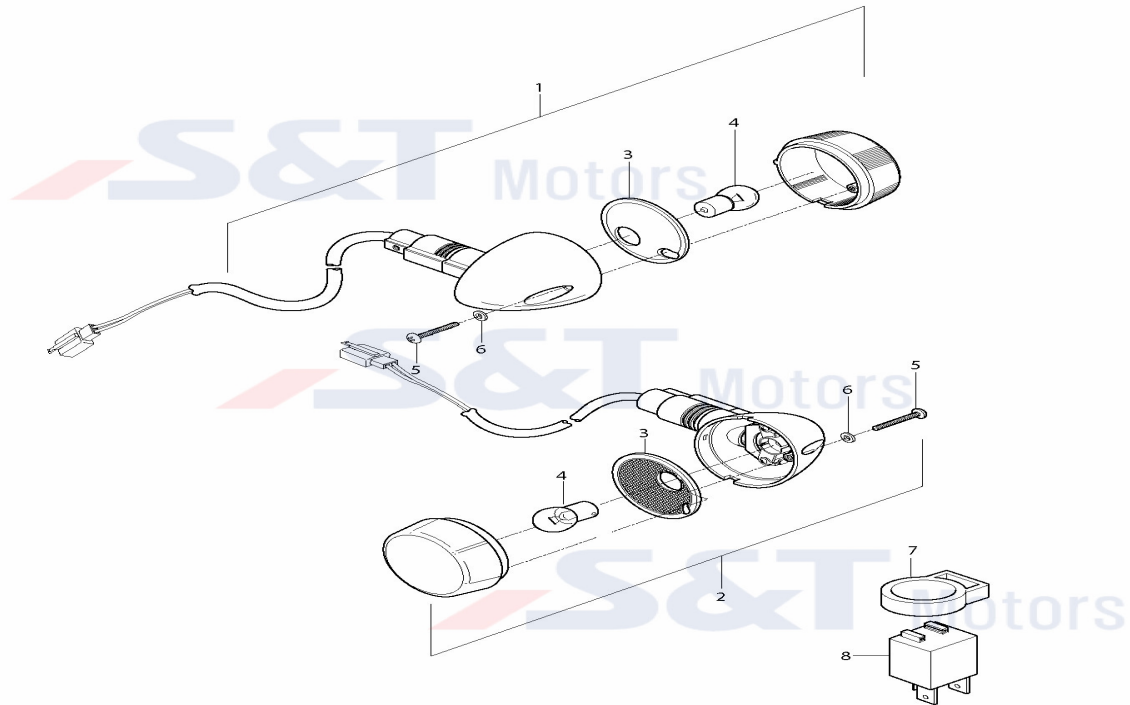
SEQ	PART CODE	PART NAME	U/S	REMARK
1	35710HJ8251	LAMP ASS'Y,REAR COMBI (GV250)	1	
2	35720HJ8200	REFLECTOR HOUSING (GV250)	1	
3	35718HJ8200	RUBBER,HOUSING (GV250)	1	
4	35716HJ8200	BRACKET REFLECTOR (GV250)	1	
5	35712HJ8250	LENS,TAIL&STOP LAMP (GV250)	1	
7	03211-04126	SCREW,HANDLE DIMMER SWITCH	2	
8	03211-04206	SCREW,FRONT POSITION LAMP	2	
9	35609H93B00	VINYL WASHER,T/SIGNAL	2	
10	35760HJ8200	SOCKET ASS'Y (GV250)	1	
11	09471-12210	BULB,POSITION LAMP(12V 5W)(GV2	1	
11-1	09471H12110	BULB,POSITION LAMP (12V 5W)	1	[2011/3/4]
12	09471-12046	BLUB,TAIL&STOP(ECE) (SF)	1	
13	35970-24D63	REFLEX REFTOR (GD)	1	
14	08316-26055	NUT,FRONT TURN SIGNAL LAMP	1	
15	35722HJ8200	SPONGE TAIL & STOP (GV250)	1	

FIG.45



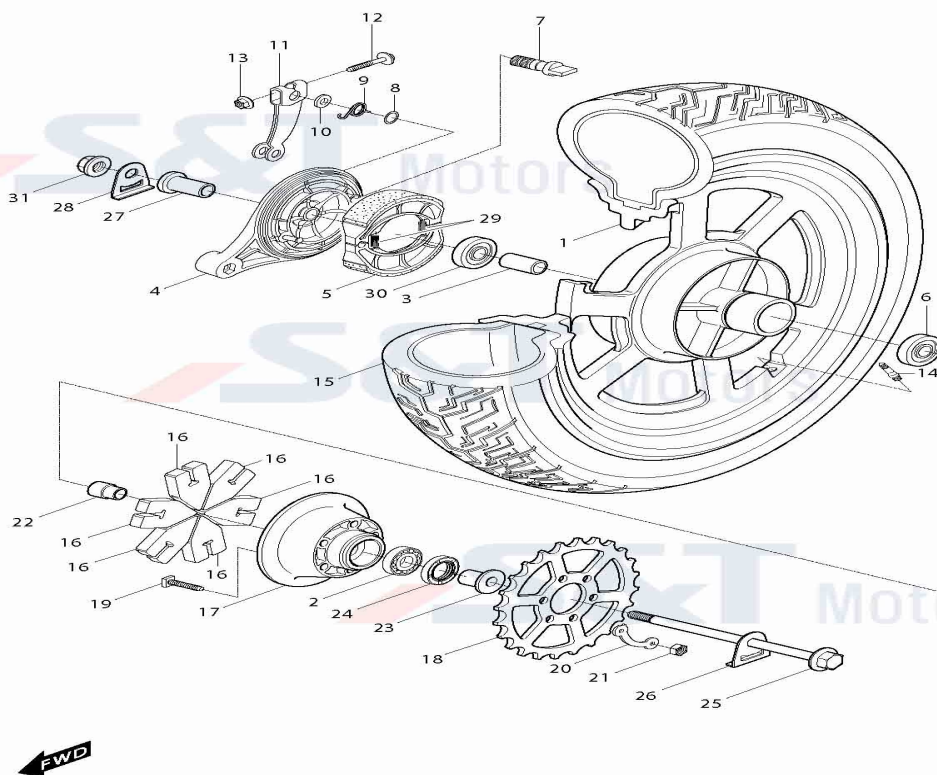
SEQ	PART CODE	PART NAME	U/S	REMARK
1	61311HG5103	CASE,CHAIN (GV)	1	
1-1	61311HG510313P	CASE,CHAIN (GV)	1	MY 14 (November, 2013~)
2	01104-06128	BOLT,CHAIN CASE	2	
3	09169-06010	WASHER,CHAIN CASE	2	
4	62100HJ8200	SHOCKABSORBER ASS'Y,REAR(GV250	2	
4-2	62100H88400	SHOCKABSORBER ASS'Y,REAR(GV250	2	[2012/11/28]
5	09160-10001	WASHER,SORBER	2	
6	08313-11107	NUT,SORBER LOW(BLIND NNUT)	2	
7	08322-21128	WASHER,FRONT AXLE NUT	2	
8	62311-05350	BOLT,REAR ABSORBER LOWER	2	
9	08316-16128	NUT,FT FORK	2	cor. 08316-26128
9-1	08316-26128	NUT,MAGNET FLY	2	

FIG.24



SEQ	PART CODE	PART NAME	U/S	REMARK
1	35603HS8400	LAMP ASSY,RR T/SIGNAL R(GV125)	1	
2	35604HS8400	LAMP ASSY,RR T/SIGNAL L(GV125)	1	
6	35609H93B00	VINYL WASHER,T/SIGNAL	2	
7	38612H11200	CLAMP,TURN SIG RELAY KR110(D)	1	
8	38610HR9770	RELAY,TURN SIGNAL (GV250)	1	

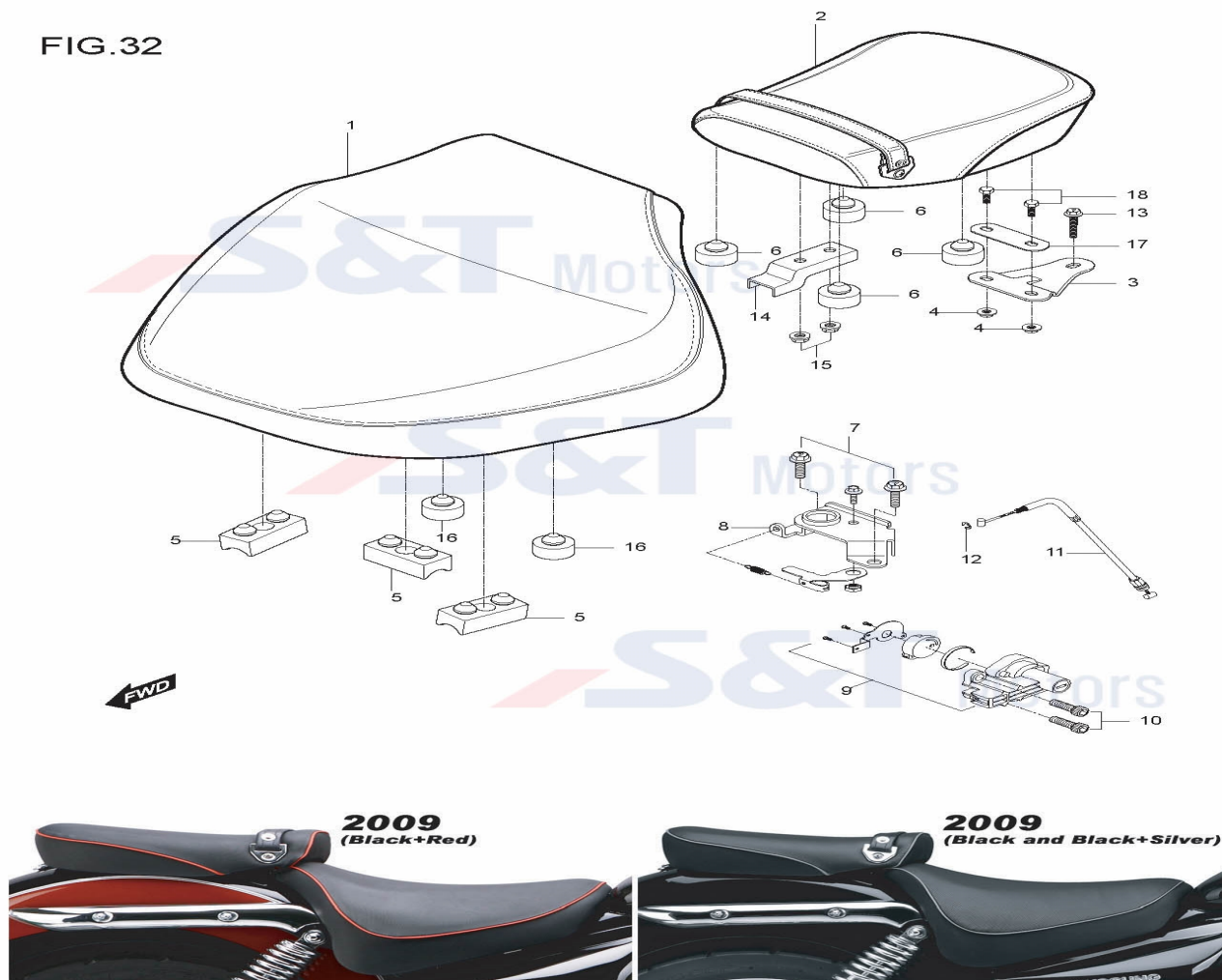
FIG.47



SEQ	PART CODE	PART NAME	U/S	REMARK
1	64150HJ8200HPA	WHEEL REAR ASS'Y (GV250)	1	ADD. BEARING
2	08113-63057	BEARING,REAR SPROCKET MTG DRUM	1	
3	64731HJ8200	SPACER,REAR WHEEL BEARING(GV25	1	
4	64200HJ8200	PANEL ASS'Y,REAR BRAKE (GV250)	1	
5	64400SJ8200	SHOE ASS'Y,BRAKE (GV250	2	cor. 64410HJ8201HAS
5-1	64410HJ8201HAS	SHOE COMP,REAR BRAKE (GV250)	2	
6	08123-63037	BEARING REAR WHEEL (GV250)	1	
7	64441HJ8204	CAM COMP,REAR BRAKE (GV250)	1	
8	09280-15001	O-RING,REAR BRAKE CAM (GV250)	1	
9	09448-33006	SPR'G,REAR BRAKE PANNEL(GV250)	1	
10	09160H15001	WASHER, REAR BRAKE CAM (GV250N	1	
11	64451-13200	LEVER,REAR BRAK CAM(TN,RG,GS)	1	
12	01517-06356	BOLT,REAR BRAKE CAM LEVER (GV)	1	
13	08316-16068	NUT (GV650)	1	
14	55220-29C20	VALVE ASS'Y	1	
15	65100HJ8200	TIRE COMP,REAR(150/80-15 MC70S	1	

16	64651HJ8201	HUB,SHOCKSORBER RR WHEEL(GV250)	1
17	64610HJ8203	DRUM,REAR SPROCKET MOUNT,G(GV2	1
18	64511HJ8206	SPROCKET,REAR	1 =64511HJ8205
19	09105-10006	BOLT,REAR SPROCKET (GV250)	6
20	09169-10013	WASHER,REAR SPROCKET (GV250)	3
21	08310-11108	NUT	6
22	64733HJ8200	RETAINER,REAR SPROCKET DRUM(GV	1
23	64751HJ8200	SPACER,REAR AXLE L (GV250)	1
24	09285-33001	OIL SEAL,REAR SPROCKET MTG(GV2	1
25	64711HJ8202	AXLE,REAR (GV250)	1 =64711HJ8201
26	64712HJ8201	WASHER,CHAIN ADJUSTER R(GV250)	1
27	64741HJ8201	SPACER,REAR AXLE R (GV250)	1
28	64712HJ8201	WASHER,CHAIN ADJUSTER R(GV250)	1
29	55420HJ8204	SPRING,BRAKE SHOE (GV250)	1
30	08123-63037	BEARING REAR WHEEL (GV250)	1
31	09159H16002	NUT,REAR AXLE (GT250)	1

FIG.32

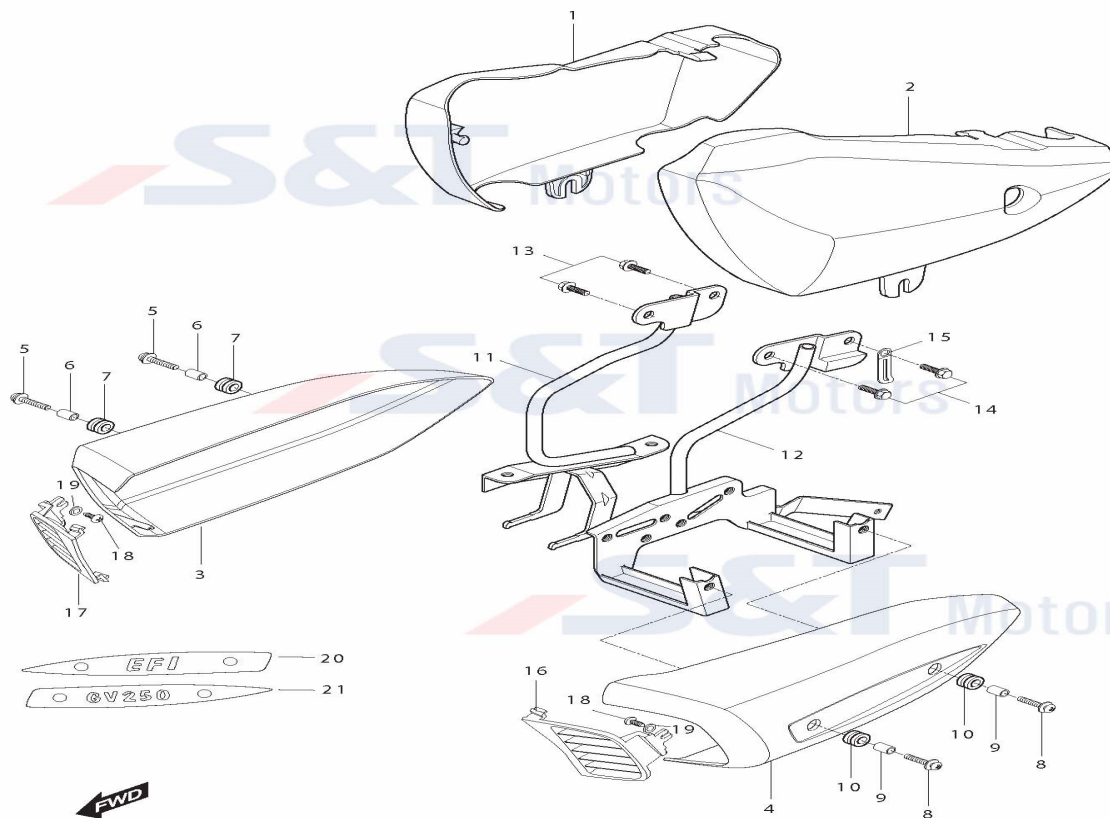


SEQ	PART CODE	PART NAME	U/S	REMARK
1	45110HG5102L08	SEAT,FRONT (GV250N)		1 BLACK/RED
1	45110HG5102L09	SEAT,FRONT (GV250N)		1 BLACK/SILVER
1	45110HG5102AE2	SEAT,FRONT (GV250N)		1 MY 14 (November, 2013~)
2	45200HJ8202L08	REAR SEAT (HYOSUNG) (GV250N)	1	
2	45200HJ8202L09	REAR SEAT (HYOSUNG) (GV250N)	1	
2	45200HJ8202AE2	SEAT,REAR (HYOSUNG) (GV250N)		1 MY 14 (November, 2013~)
3	45291HJ8201	BRACKET SEAT REAR (GV250)	1	
4	08316-26066	NUT,REAR COMBI LAMP	2	
5	09321H08007	CUSHION (GV250)	3	
6	45192HG5100	CUSHION,REAR SEAT (GV)	4	
7	01517-06166	BOLT,STEERING LOCK (GV)	2	
8	45220H93B00	LOCK ASS'Y SEAT STRIKER (GA)	1	
9	95700-34A04	LOCK ASSY SEAT & HELMET (GD)	1	
10	09106-06030	BOLT,STARTER CLUTCH	2	
11	45280HG5101	CABLE COMP,SEAT LOCK(125MM)(GV)	1	
12	08332-11056	E/RING SEAT LOCK CABLE (GA)	1	
13	01517-06256	BOLT,REAR SEAT (GV)	1	
14	45233HG5100	BRACKET SEAT REAR HOOK (GV250)	1	



15	08316-26066	(GV250) NUT,REAR COMBI LAMP	2
16	09321-100B2	CUSHION,BRAKE PEDAL	2
17	45231HG5100	NULL	1
18	09119-06065	BOLT,REAR SEAT BRACKET (GV250	2

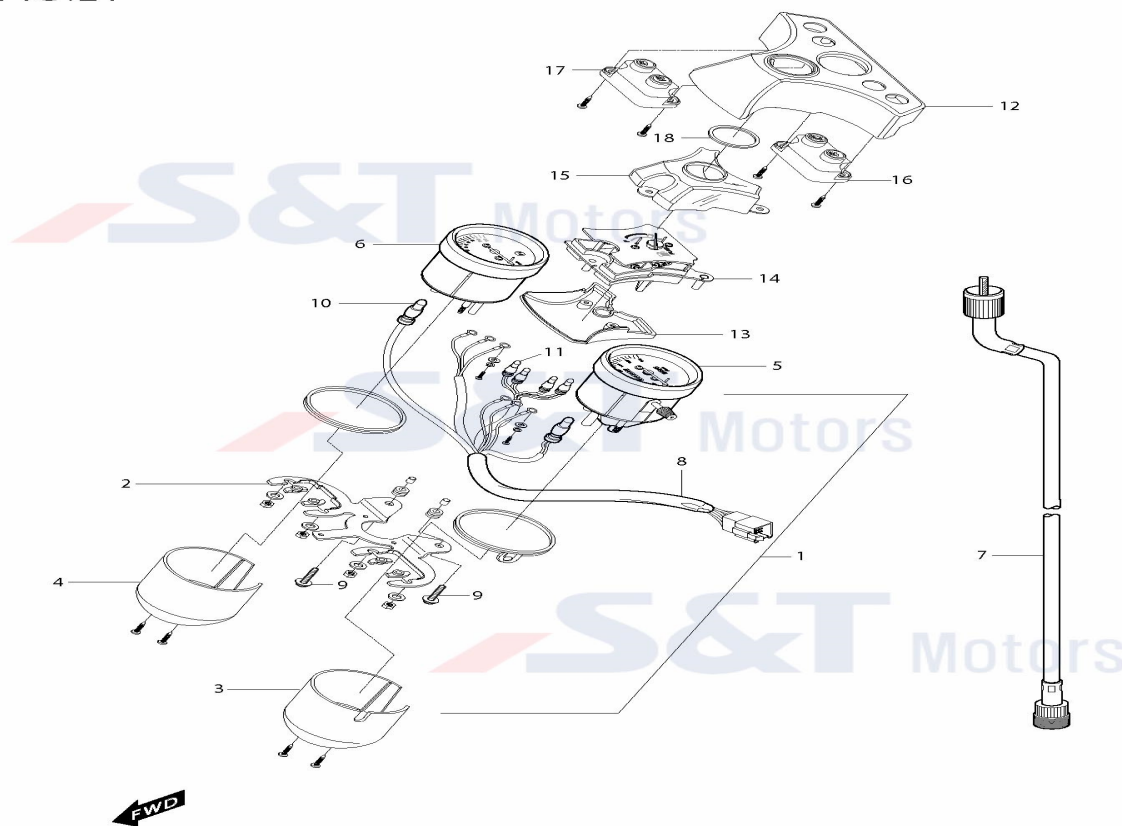
FIG.34 (2009)



SEQ	PART CODE	PART NAME	U/S	REMARK
1	47111H88400TBK	COVER,SIDE R (GV250EI)	1	
1-1	47111H88400CWP	COVER,SIDE R (GV250N)	1	'2011. NEW COLOR
1-2-1	47111H88400TUM	COVER,SIDE R (GV250EI)	1	
1-2-2	47111H88400TWC	COVER,SIDE R (GV250EI)	1	
1-3	47111H88400TPR	COVER,SIDE R (GV250EI)	1	MY15
2	47211H88400TBK	COVER,SIDE L (GV250EI)	1	
2-1	47211H88400CWP	COVER,SIDE L (GV250N)	1	'2011. NEW COLOR
2-2-1	47211H88400TUM	COVER,SIDE L (GV250EI)	1	
2-2-2	47211H88400TWC	COVER,SIDE L (GV250EI)	1	
2-3	47211H88400TPR	COVER,SIDE L (GV250EI)	1	MY15
3	47411H88400	COV,A/CLEANER ELEMENT R(GV250)	2	
3-1	47411H88400125	COV,A/CLEANER ELEMENT R(GV250)	2	MY 14 (November, 2013~)
4	47421H88400	DECO,FUEL TANK LOW&BKT L(GV250)	2	
4-1	47421H88400125	DECO,FUEL TANK LOW&BKT L(GV250)	2	MY 14 (November, 2013~)
5	09136-06022	SCREW,COWLING	2	
6	09180-06084	SPACER,AIR CLEANER (GV)	2	
7	09320-09016	CUSHION,TOOL HOLDER	2	

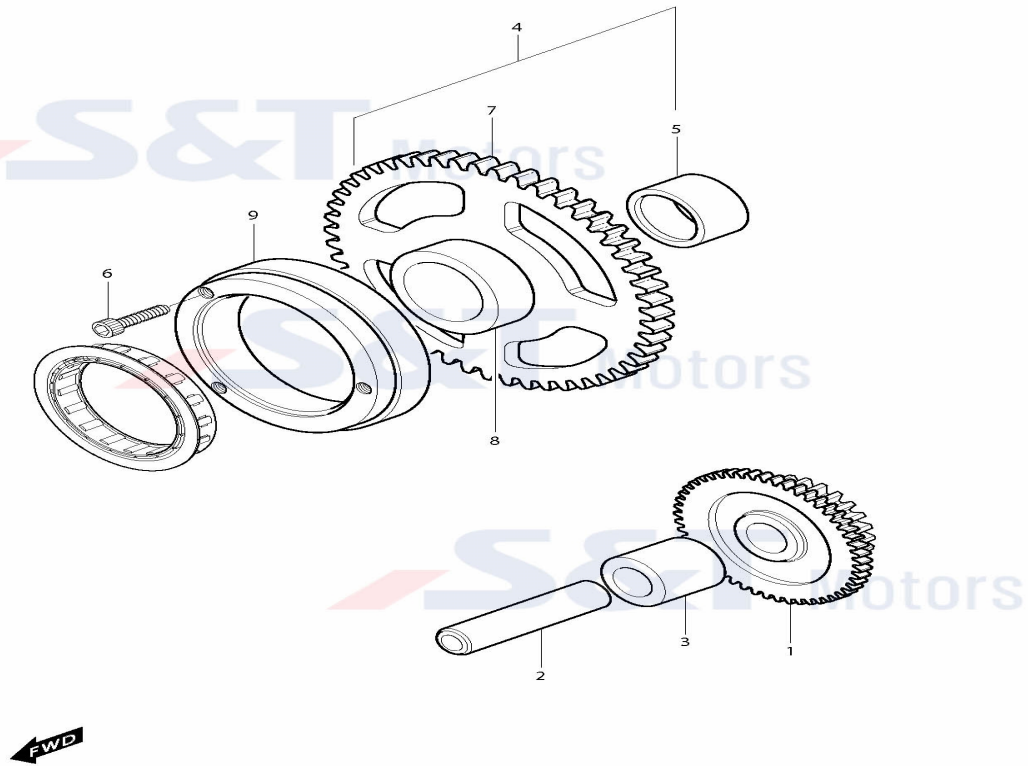
8	09136-06022	SCREW,COWLING	2
9	09180-06084	SPACER,AIR CLEANER (GV)	1
10	09320-09016	CUSHION,TOOL HOLDER	1
11	47450H8840003P	BKT,A/CLEAN ELEMENT COV R (GV)	1 PEARL METALLIC
12	47460HG510903P	BRACKET,TANK LOWER DECO(GV250)	1 PEARL METALLIC
12	47460HA841003P	BRACKET,TANK LOWER DECO(GV250)	1 **DELPHI**
13	01517-08166	BOLT,PILLION FOOTREST	2
14	01517-08166	BOLT,PILLION FOOTREST	2
15	09404-08403	CLAMP,WIRING HARNESS	1
16	47426H88400	GRILL,DECO COVER L (GV250EI)	1
17	47427H88400	GRILL,DECO COVER R (GV250EI)	1
18	03241-05105	SCREW (GV250N)	2
19	09160-05016	WASHER,REAR	2
20	68174H88400	TAPE,A/CLEAN R EFI (GV250N)	2
21	68176H88400	TAPE,A/CLEAN L EFI (GV250N)	2

FIG.21



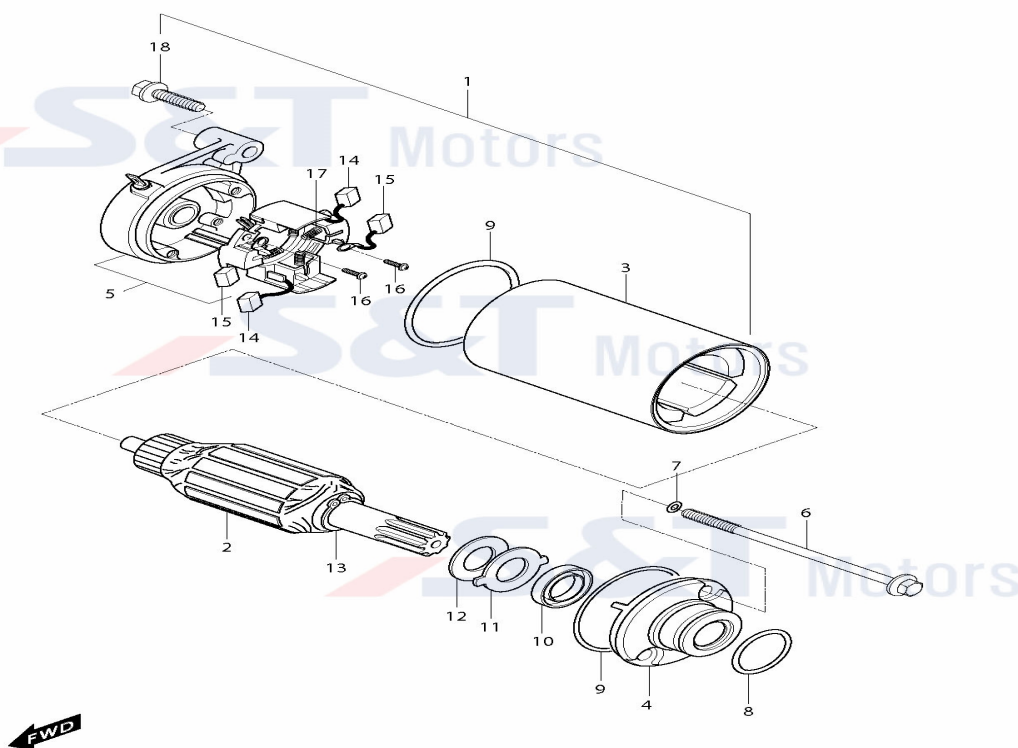
SEQ	PART CODE	PART NAME	U/S	REMARK
1	34100HR84B0	SPEED METER ASSY (GV250N)	1	KM4MJ54A3A1500581~, 09.12~
2	34950HG5100	BRACKET,SPEEDOMETER (GV125)	1	
4	34106H93B00	TACHO LOW CASE S/METER (GA)	1	
5	34110HJ8200	SPEEDOMETER A/S□ (GV250)	1	
7	34910HG5103	CABLE ASS'Y,SPEEDOMETER (GV)	1	cor. 34910HG5104
7-1	34910HG5104	CABLE ASS'Y,SPEEDOMETER (GV125)	1	
9	09116-06010	BOLT REAR COMBI BRACKET (GSX)	2	
10	09471-12128	BULB(12V 1.7W) T10 (GT250)	2	
11	09471-12077	BULB(12V 1.7W)	4	
12	39110HG5100	INDICAL LAMP UPPER (GV125)	1	
13	39120HG5100	INDICATOR LAMP LOWER (GV125)	1	
16	34320HG5100	LAMP HOUSING L (GV)	1	
17	34310HG5100	LAMP HOUSING (GV125)	1	

FIG.7



SEQ	PART CODE	PART NAME	U/S	REMARK
1	12611HJ8200	GEAR,STARTER IDLE (GV250)	1	
2	12612HG5100	SHAFT,STARTER IDLE GEAR (GV)	1	
3	09180-13006	SPACER,STARTER IDLE GEAR	1	
4	12620H98600	GEAR STARTER CLUTCH (GT250)	1	
5	09304H25002	BUSH,STARTER CLUTCH GEAR(GV250)	1	
6	09106H08026	BOLT,STARTER CLUTCH (MS3-250)	3	
9	12614H98600	CLUTCH,STARTER ONE WAY (GT250)	1	

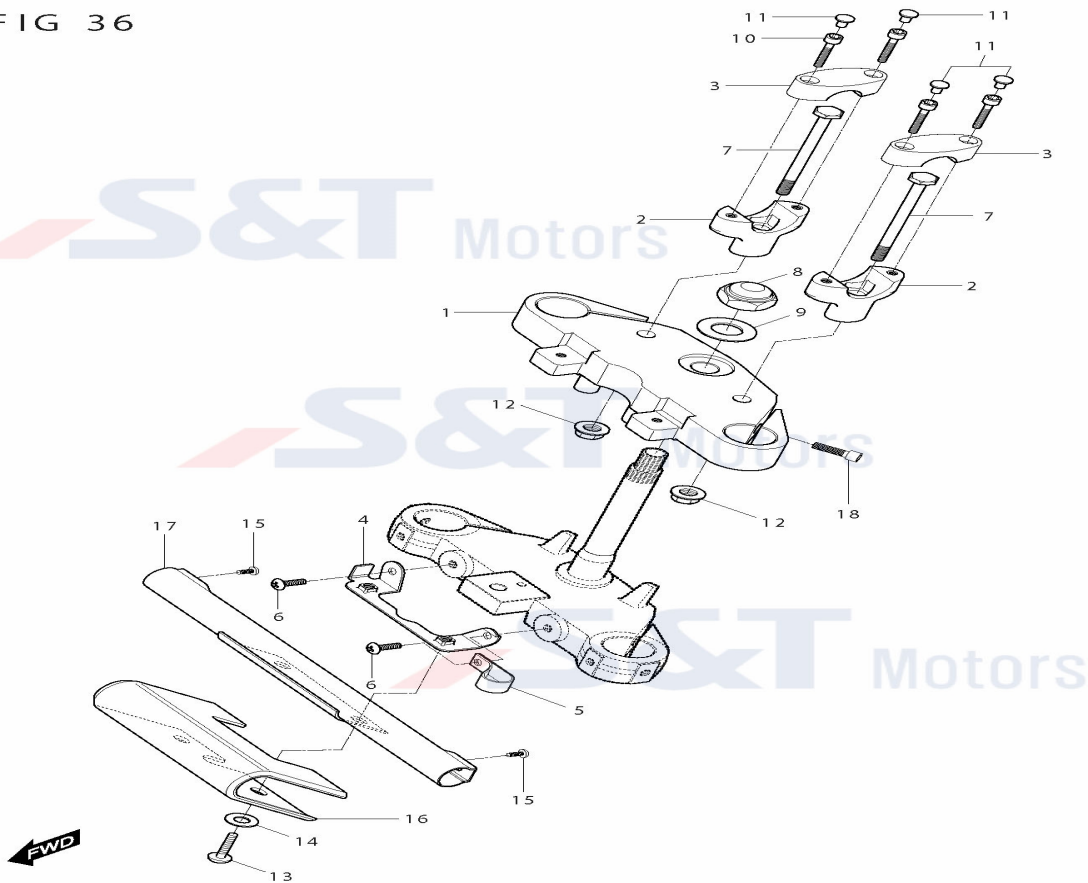
FIG.17



SEQ	PART CODE	PART NAME	U/S	REMARK
1	31100HG5100	MOTOR ASSY,STARTING(GV)	1	
2	31310-11D10	ARMATURE ASSY,STARTER (GD)	1	
3	31100-05320	YOKE ASSY,STARTER(□□) (GA)	1	
4	31150-42A01	HOUSING ASSY,STARTER (GD)	1	
5	31175HG5100	NULL	1	
6	31281-32C10	BOLT,THROUGH (GD)	2	
7	31156-38300	O RING STARTING MOTOR	2	
8	09280-24003	O-RING,S/MOTOR(=>09280-24001)	1	cor. 09280-24001
8-1	09280-24001	O-RING,STARTER MOTOR	1	
9	31264-35C10	O-RING (GD)	2	
10	31153-49210	SEAL,OIL (GD)	1	
11	31361-32C00	PLATE,LOCK (GD)	1	
12	31361-38300	SHIM(A)	1	
13	31361-10200	SHIM ARMATURE	1	
14	31132-32C10	BRUSH SUB-ASSY,STARTER (GD)	2	
15	31131-32C20	BRUSH,STARTER (GD)	2	
16	31114-32C10	SCREW (GD)	2	
17	31135-32C10	SPRING,COMPRESSION COIL (GD)	4	



FIG 36

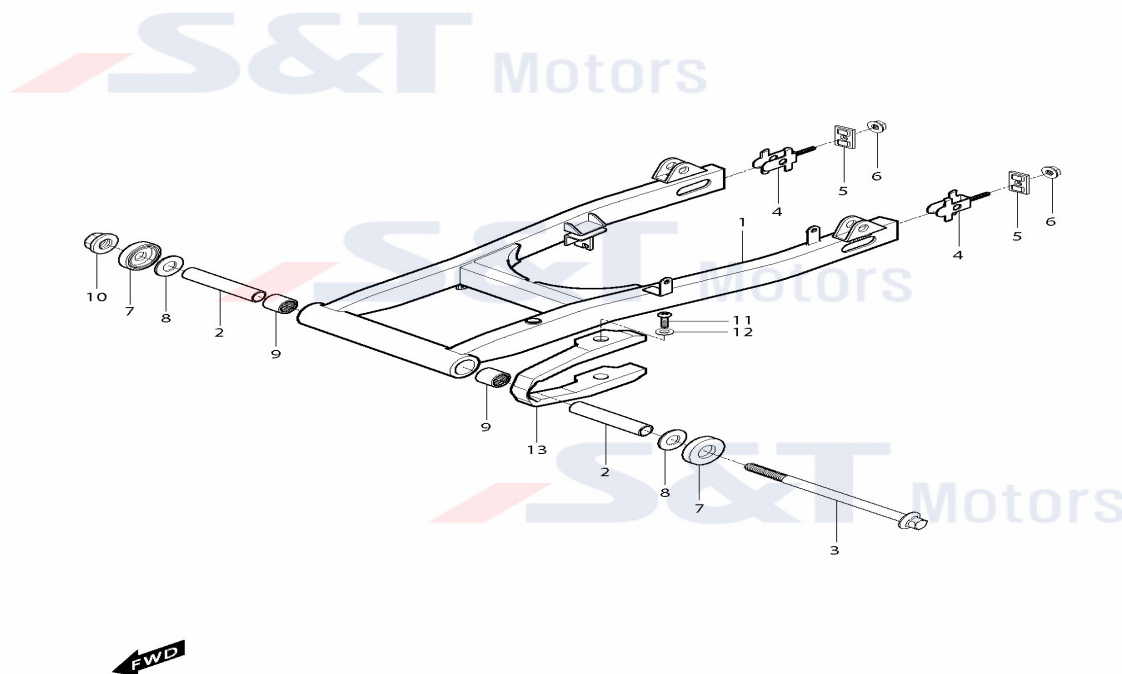


SEQ	PART CODE	PART NAME	U/S	REMARK
1	51311HG510903P	BRACKET,FT FORK UPPER (GV250N	1	PEARL METALLIC
2	56221HG510503P	HANDLE HOLDER LOWER (GV125)	2	PEARL METALLIC
3	56211HG510503P	HANDLE HOLDER UPPER (GV125)	2	PEARL METALLIC
4	51760HG5102	GUIDE,UNDER BRACKET&CABLE (GV)	1	
5	09403-14404	CLAMP,REAR BRAKE CABLE NO2	1	
6	02142-06126	SCREW UPPER CABLE GUIDE NO1(GV	2	
7	09100H10071	BOLT,HANDLE HOLDER LOWER (GV)	2	
8	09159H22201	NUT,STEERING UPPER (GV650P)	1	
8-1	09159H22200	NUT,STEERING UPPER (GV650P)	1	[2011/10/10]
9	09160H22032	WASHER,STEERING UPPER (GV)	1	
10	07110-08306	BOLT,HANDLE HOLDER UPPER (GV)	4	
11	56222HG5100	CAP,HANDLE HOLDER UPPER BLT(GV	4	
12	08319-31108	NUT,FRONT SORBER	2	
13	09136-06022	SCREW,COWLING	2	
14	09169H06011	WASHER	2	
15	02142-05125	SCREW,HANDEL COVER FRONT&REAR	2	



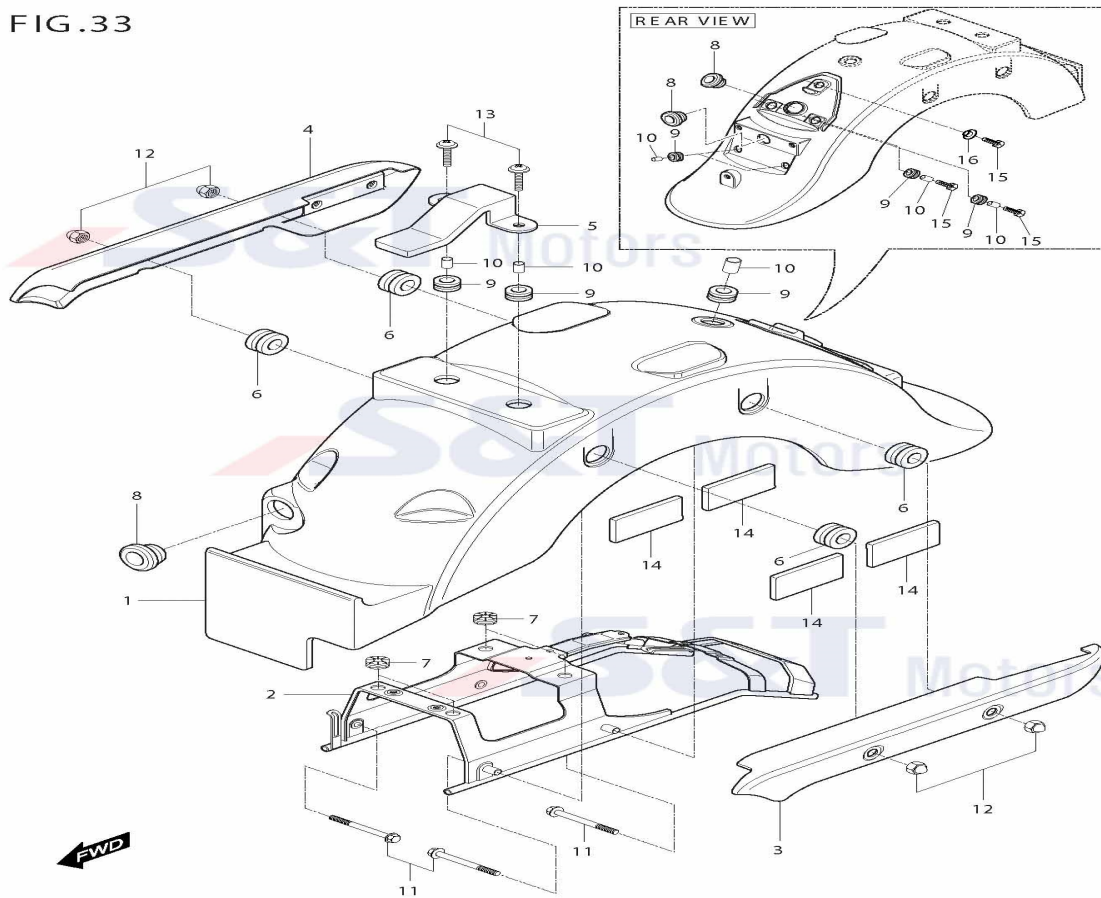
16	51710HJ8201	COVER,TURN SIGNAL TUBE (GV250)	1
17	51720HJ8201PLT	TUBE COMP TURNSIGNAL (GV250	1
18	07110-08258	BOLT,FRAME JOINT	2

FIG.44



SEQ	PART CODE	PART NAME	U/S	REMARK
1	61100HJ8206PAM	SWINGINGARM COMP,REAR (GV250)	1	
2	61251HG5100	SPACER,SWING ARM PIVOT BG (GV	2	
3	61211HG5102	SHAFT,REAR SWING ARM PIVOT(GV)	1	
4	61410HJ8200	ADJUSTER COMP,CHAIN (GV250)	2	
5	61421-01D00	PLATE CHAIN ADJUST GUIDE(GSX)	2	
6	08319-31088	NUT,PILLION FOOTREST	2	
7	61262-45002	COVER,REAR S/ARM (GT250RN)	2	
8	08211-14341	THRUST WASHER,SWING ARM PIVOT	2	
9	09263-22017	BEARING,REAR SWING	2	
10	08319-31128	NUT,SWING ARM PIVOT	1	
11	02142-06166	SCREW,BATTERY HOLDER (GV)	2	
12	09169H06011	WASHER	2	
13	61273HJ8200	BUFFER,CHAIN TOUCH DEFEN(GV250)	1	

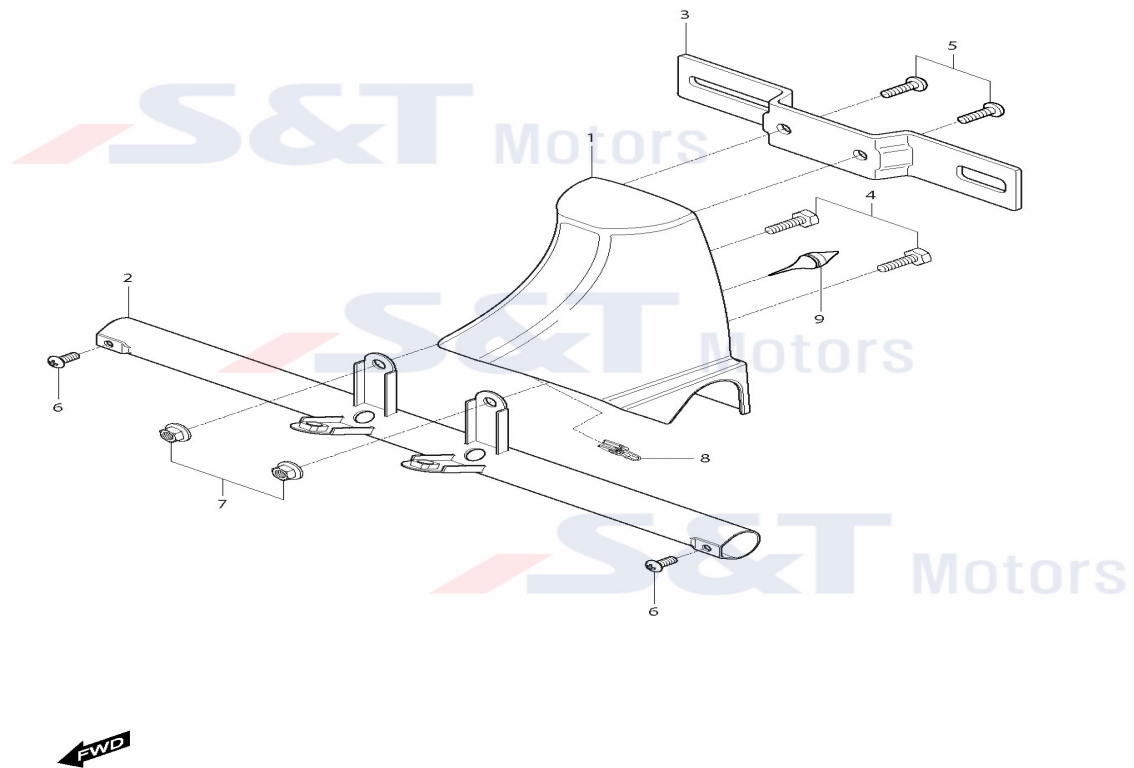
FIG.33



SEQ	PART CODE	PART NAME	U/S	REMARK
1	45511HJW100CRN	COVER,SEAT TAIL(W/DECAL)(GV250	1	RED(TR2)+BLACK
1	45511HJW100CSN	COVER,SEAT TAIL(W/DECAL)(GV250	1	SILVER+BLACK
1	45511HJ8210TWP	COVER,SEAT TAIL (GV250)	1	
1	45511HJW100CRR	COVER,SEAT TAIL(W/DECAL)(GV250	1	'2012 COLOR
1-1-1	45511HJ8210TBK	COVER,SEAT TAIL (GV250)	1	
1-1-2	45511HJ8210TUM	COVER,SEAT TAIL (GV250)	1	
1-1-3	45511HJ8210TWC	COVER,SEAT TAIL (GV250)	1	
1-2-1	45511HJ8210EBK	COVER,SEAT TAIL (GV250)	1	MY15 / with TAPE
1-2-2	45511HJ8210EPR	COVER,SEAT TAIL (GV250)	1	MY15 / with TAPE
1-2-3	45511HJ8210EUM	COVER,SEAT TAIL (GV250)	1	MY15 / with TAPE
2	45520HJ8201	BRACE COMP,SEAT TAIL COV(GV250	1	
3	46230HG5100PLT	PLATE COMP,PILLION RIDER L(GV)	1	
4	46220HG5100PLT	PLATE COMP,PILLION RIDER R(GV)	1	
5	45232HG5100	BRACKET,SEAT TAIL&SEAT (GV)	1	
6	09320-11008	CUSHION,LEG SHIELD	4	
7	94434H29E00	CUSHION,COWLING BRACE	4	
8	09320H12060	GROMMET,SEAT TAIL COVER (GV)	3	

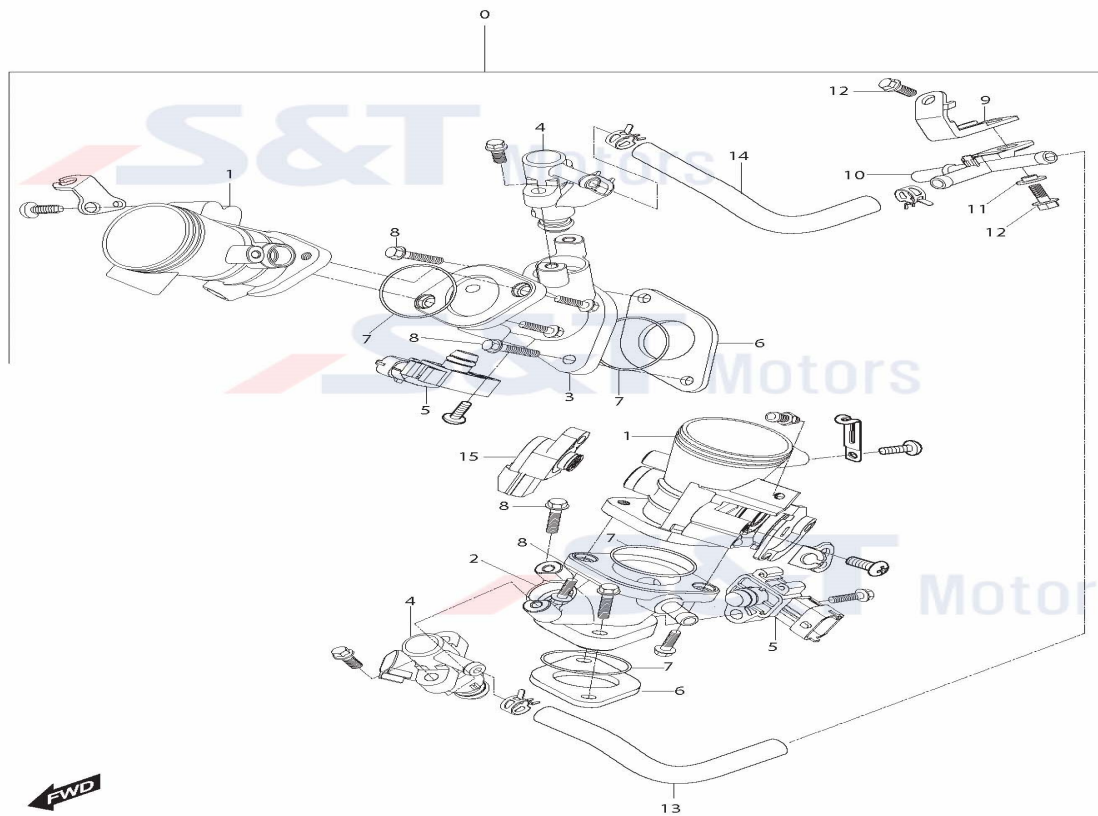
9	09320-09016	CUSHION,TOOL HOLDER	7
10	09180-06114	SPACER BODY COWLING FITT(GSX)	7
11	01517-08606	BOLT,PILLION RIDER PLATE (GV)	4
12	08313-11087	NUT,FRONT CARRIER (GV250N)	4
13	09136H06114	SCREW,SEAT TAIL COVER UPP (GV)	4
14	33652-38A10	TAPE,WIRING HARNESS	4
15	01517-06256	BOLT,REAR SEAT (GV)	3
16	09169-06032	WASHER,REAR FENDER (GD)	1

FIG.46



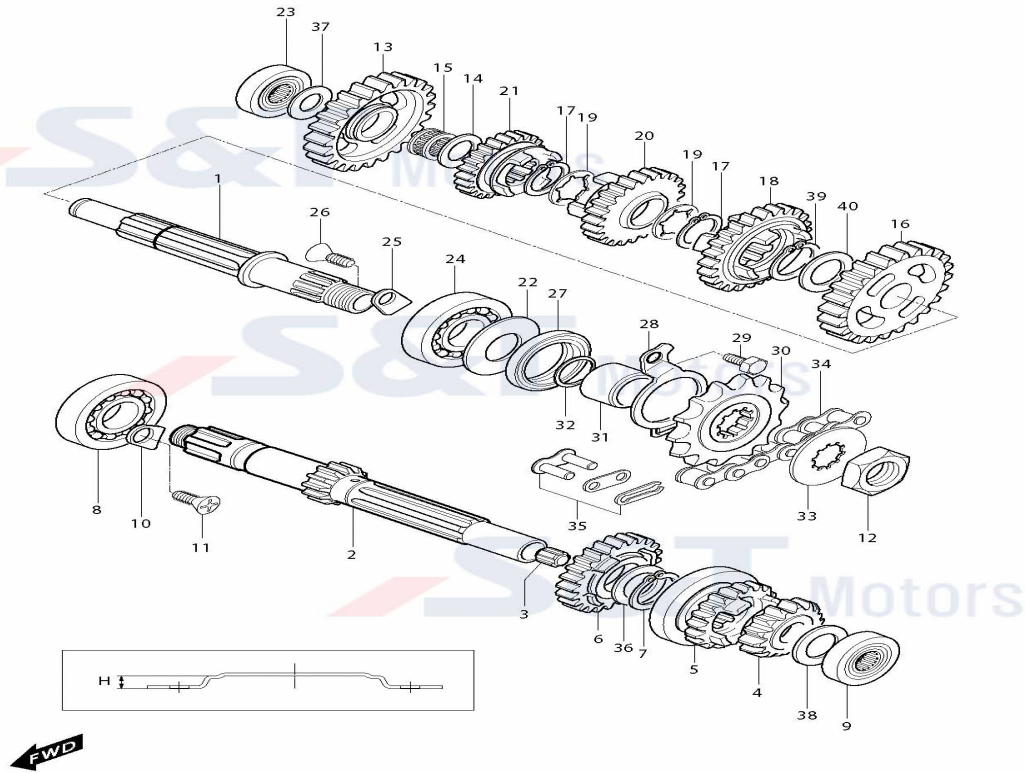
SEQ	PART CODE	PART NAME	U/S	REMARK
1	45541HJ8202	COVER,TAIL REAR (GV700C)	1	
2	45530HJ8202PLT	BRACKET TAIL REAR COVER(GV250)	1	1 = 45530HJ8202PLA
3	35927H44430	BRACKET,LICENSE PLATE (GPS)	1	
4	01107-06166	BOLT,TAIL REAR COVER REAR(GV25)	2	
5	02142-06126	SCREW UPPER CABLE GUIDE NO1(GV	2	
6	02142-05125	SCREW,HANDEL COVER FRONT&REAR	2	
7	08316-16068	NUT (GV650)	2	
8	09148-06020	NUT	1	
9	09321-06023	CUSHION,LICENSE PLATE	1	

FIG.10



SEQ	PART CODE	PART NAME	U/S	REMARK
0	13400H88661	BODY SET,THROTTLE (GT250RN)	1	
0-1	13400H88601	BODY SET,THROTTLE (GV250N)	1	9US2
4	15710H88601	INJECTOR (GV250N)	2	
5	37920H88600	SENSOR (GT250REI)	2	
6	13129HR8600	INSULATOR,CARBURETOR(GT250RFI)	2	
7	09280H34000	OIL RING,INTAKE PIPE (GT250)	4	
8	09128-06006	BOLT FUEL LEVEL GAUGE (GA)	4	
9	15160H88400	BRACKET,FUEL HOSE JOINT(GV250N)	1	
10	15911HP9300	JOINT,FUEL HOSE (GT650RFI)	1	
11	09169H06078	WASHER,FRONT FENDER (GT650)	1	
12	01517-06125	BOLT,COVER CYLINDER HEAD	2	
13	15870H88401	HOSE,F/INJECTOR JOINT NO.1(GV)	1	
14	15880H88401	HOSE,F/INJECTOR JOINT NO.2(GV)	1	
15	13580H88600	SENSOR,THROTT POSTION(GV250EI)	1	

FIG.15

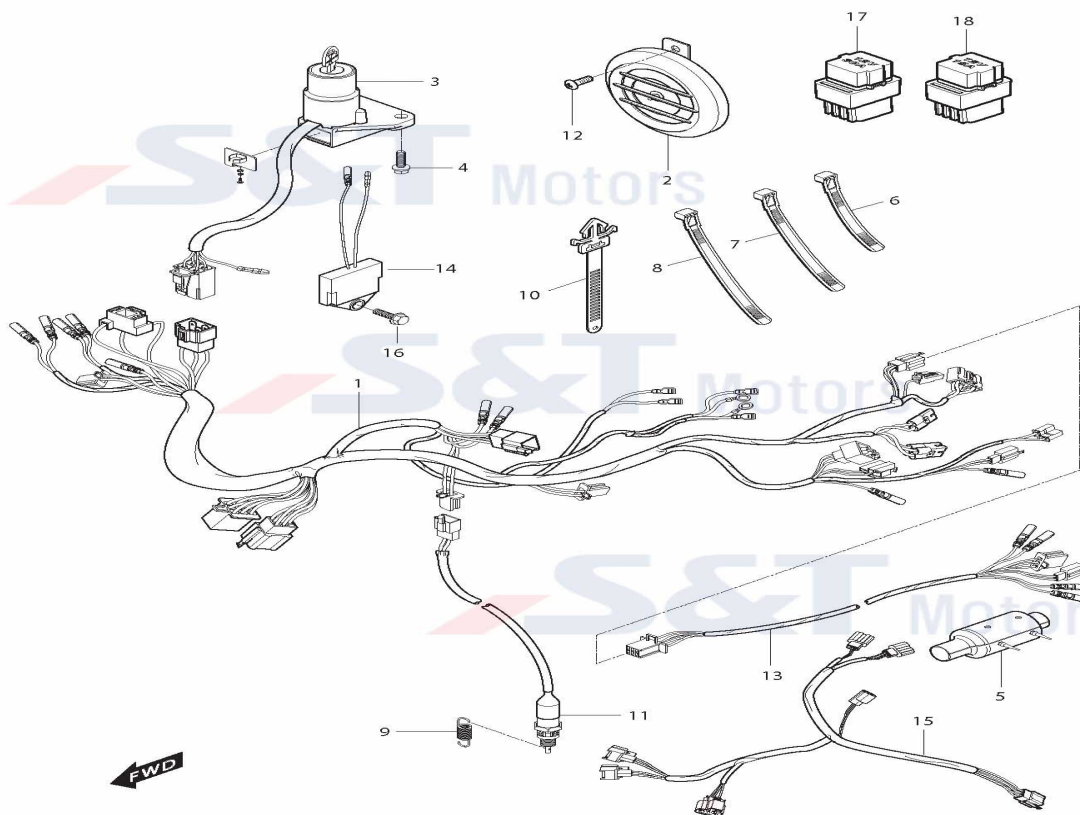


SEQ	PART CODE	PART NAME	U/S	REMARK
0	24130SJ8200	SHAFT DRIVE COMP (GV250)	1	
1	24130HJ8201	SHAFT COMP,DRIVE (GV250)	1	
2	24121HJ8202	SHAFT,COUNTER (GV250)	1	
3	24125-38201	BUSH,COUNTER SHAFT	1	
4	24221HJ8201	GEAR,2ND DRIVE (GV250)	1	
5	24230HJ8200	GEAR COMP,3RD DRIVE (GV250)	1	
6	24251HJ8202	GEAR,5TH DRIVE (GV250)	1	
7	09380H20001	CILCLIP,DRIVEN GEAR (GV250)	1	
8	08110-62050	BG,COUNTER SHAFT R(#6205)(GV25	1	
9	09263H17001	BEARING,FIXED DRIVEN L (EZ)	1	
10	24741HG5100	RETAINER,COUNTER SHAFT BG (GV)	1	
11	02122-06128	SCREW,OL GR SH	1	
12	09140-16017	NUT,ENGINE SPROCKET	1	
13	24311HJ8200	GEAR,1ST DRIVEN (GV250)	1	
14	08211-17261	WASHER,1ST DRIVEN GEAR THRUST	1	
15	09263H17008	BEARING,1ST DRIVEN GEAR (GV250)	1	
16	24320HJ8200	GEAR COMP,2ND DRIVEN (GV250)	1	

17	09380H20001	CILCLIP,DRIVEN GEAR (GV250)	2
18	24331HJ8200	GEAR,3RD DRIVEN (GV250)	1
19	09167H18002	WASHER THRUST,4TH DRIVEN GR(GV	2
20	24341HJ8200	GEAR,4TH DRIVEN (GV250)	1
21	24351HJ8202	GEAR,5TH DRIVEN (GV250)	1
22	09160H20011	WASHER,OIL SEALING (GV250)	1
23	09263H17007	BEARING,DRIVE SHAFT R (GV250)	1
24	09262H22016	BEARING,DRIVE SHAFT L (GV)	1
25	24741HG5100	RETAINER,COUNTER SHAFT BG (GV)	1
26	02122-06128	SCREW,OL GR SH	1
27	09283-27010	OIL SEAL,REAR AXLE	1
28	24751HG5102	RETAINER,DRIVE SHAFT O/SEAL(GV	1
29	01107-06106	BOLT,DR SH RETAINER	2
30	27510HJ8200	SPROCKET COMP,EG 14T(#520)(GV2	1
31	27531HJ8201	SPACER,ENGINE SPROCKET (GV250	1
32	09280-19005	O/RING,ENGINE SPROCKET	1
33	09167H20002	WASHER,ENGINE SPROCKET(GD250R)	1 Repl of 09167-20006 / (0.8T -> 1.0T)
34	27600HJ8251	CHAIN,DRIVE (GV250N)	1
36	08211-22281	WASHER,2ND DRIVEN GEAR (GV250)	1
37	08211-17301	WASHER DRIVE SHAFT THRUST(GV25	1
38	08211-17301	WASHER DRIVE SHAFT THRUST(GV25	1
39	09380H20001	CILCLIP,DRIVEN GEAR (GV250)	1
40	08211-22281	WASHER,2ND DRIVEN GEAR (GV250)	1



FIG.25



SEQ	PART CODE	PART NAME	U/S	REMARK
1	36610H88404	HAENESS,WIRING (GV250N)	1	
1-1	36610H88405	HARNESS,WIRING (GV250N)	1	[2011/1/13]
1-1	36610HA8412	HAENESS,WIRING (GV250N)	1	**DELPHI**
1-2	36610HA8413	HARNESS, WIRING (GV250N)	1	≠36610HA8412
2	38500HM8110	HORN ASSY (GT650)	1	
2-1	38510H93B10	COVER,HORN	1	
3	37000HJ8270	KEY SET (GV250)	1	
3-1	37000HG5130	KEY SET (GV125C)	1	9US2
4	01517-06166	BOLT,STEERING LOCK (GV)	2	
5	36618-30610	BOOT,WIRING HARNESS	1	
6	09407-14403	CLAMP,STRNINER(125MM) (EZ)	3	
7	09407-20406	CLAMP,WIRING HARNESS (GV250)	2	
8	09407-22402	CLAMP,WIRING HARNESS (EZ)	2	
9	09443H06006	SPRING STOP LAMP SWITCH (GA)	1	
10	09407-14408	BAND	3	
11	37740H93B00	SWITCH ASS'Y BRAKE LAMP (GA)	1	
12	02112-36128	SCREW,COOLING FAN (GV250N)	1	
13	36670HJ8202	LEAD WIRE,REAR COMBI (GV250)	1	

14	37890HP8810	SENSOR,TIP OVER (GT650REI)	1
15	17660H88600	LEAD WIRE,SENSOR PARTS(GV250EI)	1
15	17660HA8410	LEAD WIRE,SENSOR PARTS(GV250EI)	1 **DELPHI**
15-1	17660HA8411	LEAD WIRE,SENSOR PARTS(GT250N)	1 =/=17660HA8410
16	02142-06165	SCREW,LEG SHIELD LOWER(GT250RN)	1
17	36740HN9100	BOX ASS'Y,FUSE(30A) (GT650)	1
18	36740-35C00	BOX ASS'Y FUSE(15A) (GSX)	1