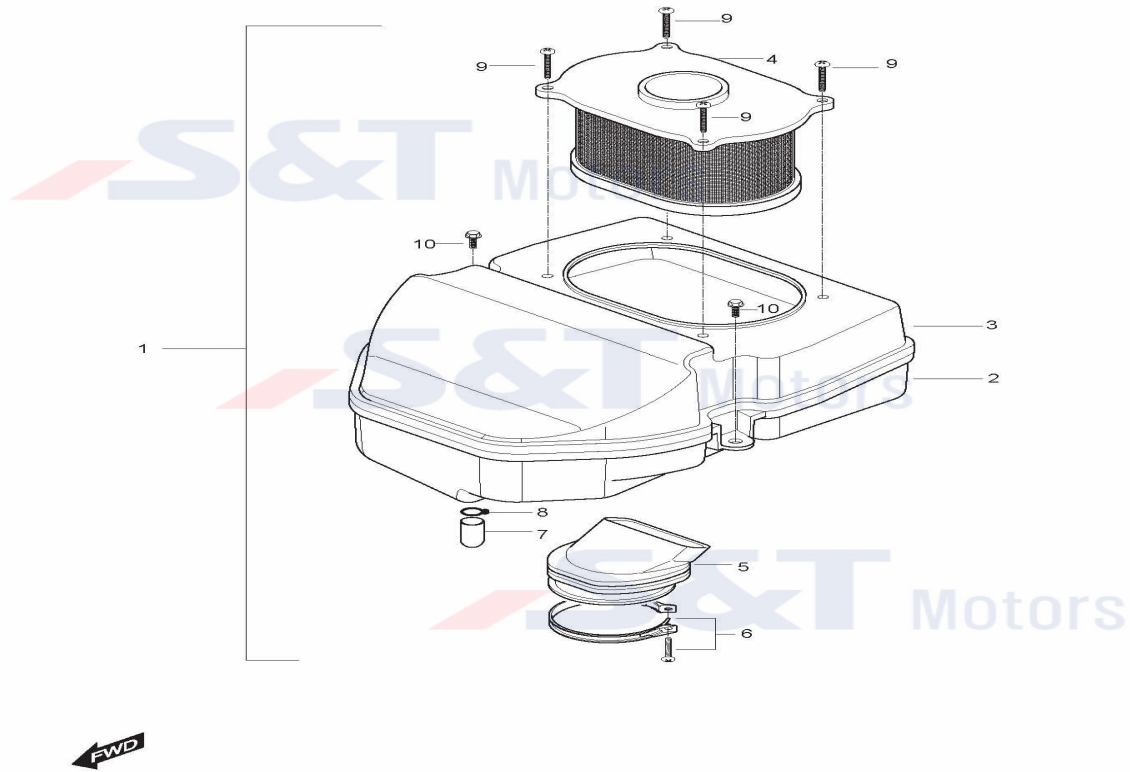


SEQ	PART CODE	PART NAME	U/S	REMARK
1	18500H85201	VALVE ASS'Y,2ND AIR (GV125CN)	1	
2	18631HM8130	HOSE,2ND AIR PIPE (GT125)	1	
3	01547-06208	BOLT,OIL STRAINER CAP	2	
4	09401H13401	CLAMP,THERMOSTAT BYPASS HOS	2	
5	18615HN9101	GASKET,2ND AIR REAR (GT650)	1	
6	18610HM8130	PIPE COMP,2ND AIR (GT125)	1	
7	18651HM8130	HOSE,2ND AIR CLEANER (GT125)	1	
8	18671HM8130	HOSE,2ND VACUUM (GT250)	1	
9	09401H08401	CLAMP,2ND VACUUM HOSE (GT650)	2	
10	09401H14401	CLAMP,BREATHER OIL RETURN(GT65)	2	
11	09128-06005	BOLT,FUEL COCK	2	

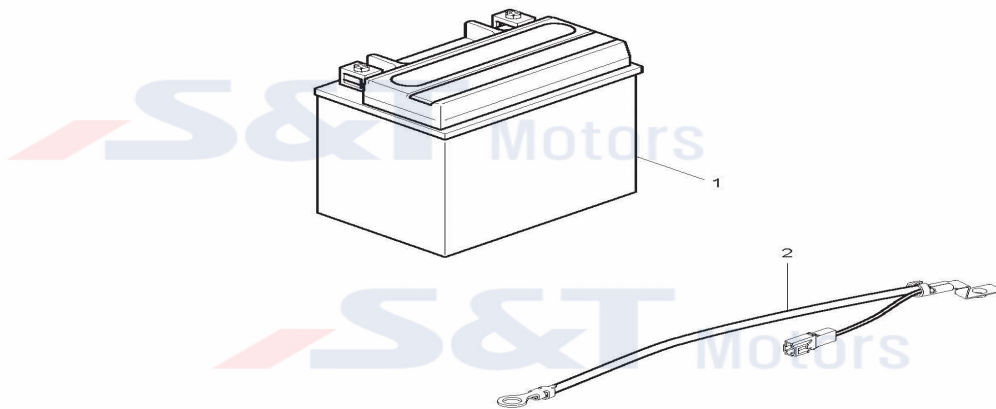
FIG 11



- 15 -

SEQ	PART CODE	PART NAME	U/S	REMARK
1	13700HM8101	CLEANER ASSY,AIR (GT250)	1	
2	13721HM8101	CASE,AIR CLEANER (GT250)	1	
3	13740HM8101	CAP COMP,AIR CLEANER (GT250)	1	
4	13780HM8100	FILTER AIR CLEANER (GT250)	1	
4-1	13780HR8600	FILTER,AIR CLEANER (GT250FI)	1	=13780HM8100
5	13881HL7300	TUBE,OUTLET (MS1-125)	2	
6	09402-56208	CLAMP,OUTLET TUBE	2	
7	13895HF4500	PLUG	1	
8	09401-14301	CLIP	1	
9	02142-05165	SCREW,HANDLE COVER NO1	4	
10	02142-16125	SCREW,FRAME COVER CENTER R	2	

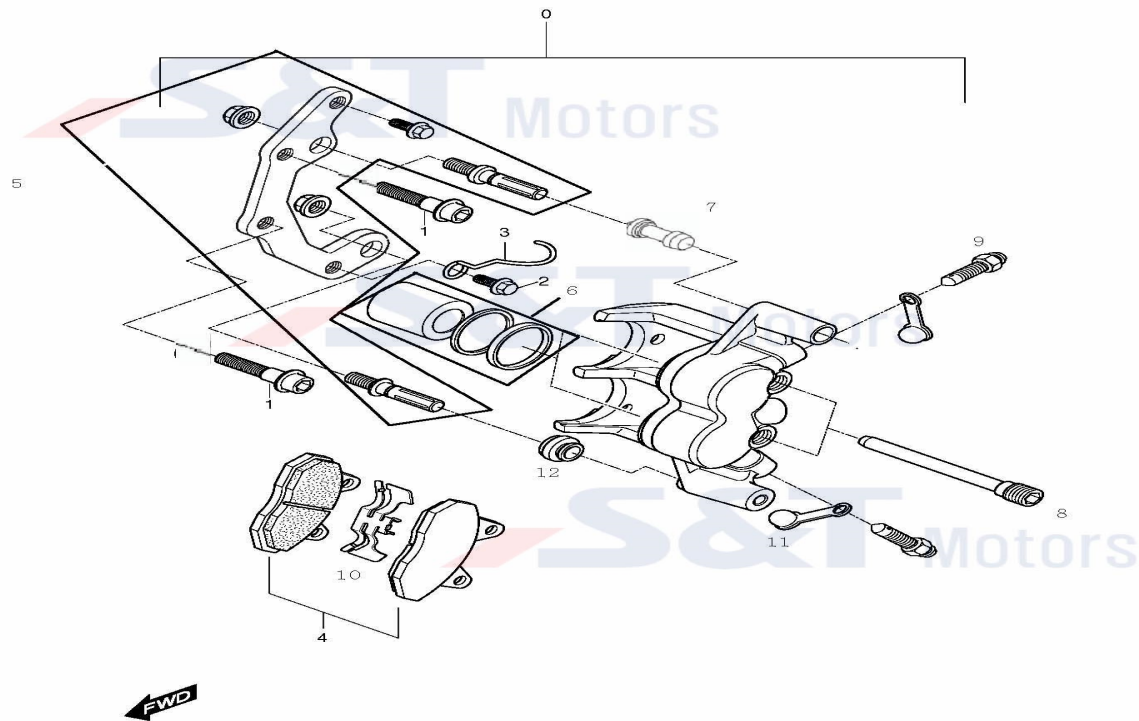
FIG 19



- 25 -

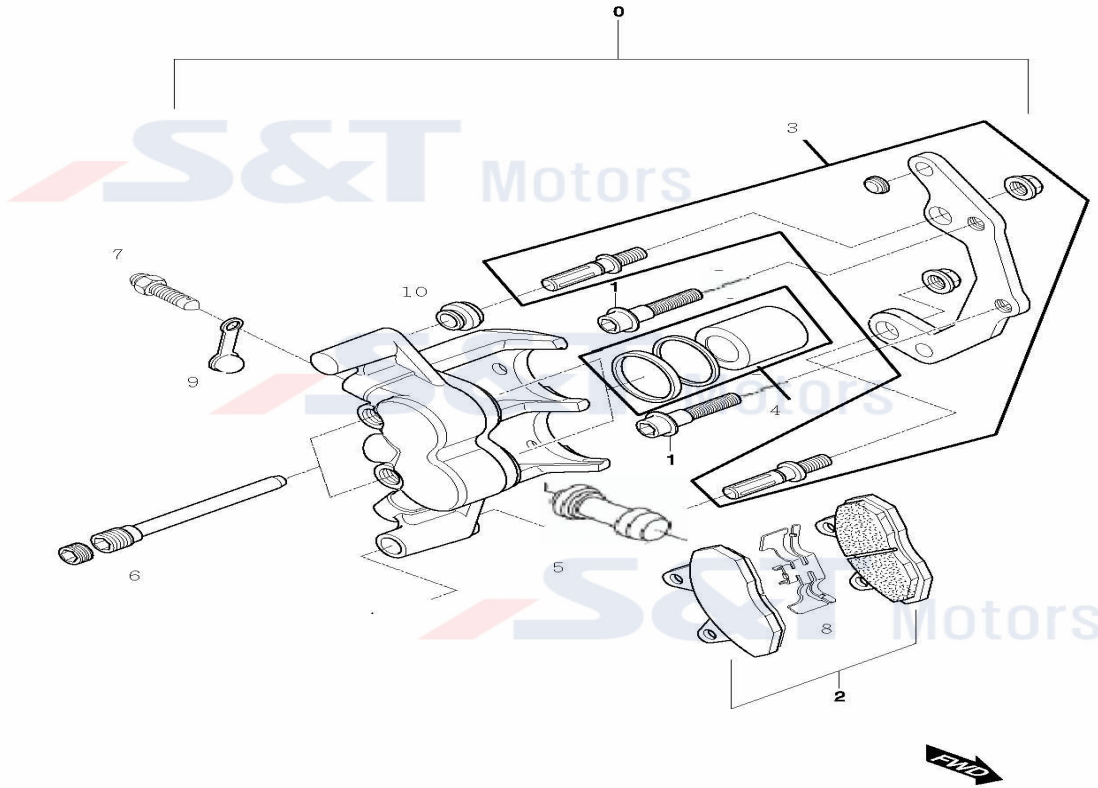
SEQ	PART CODE	PART NAME	U/S	REMARK
1	33610HM8110KOR	BATTERY ASS'Y(12V 12AH) (GT650	1	
2	33860HM8101	LEAD WIRE,BATTERY MINUS(GT250)	1	

FIG 40



SEQ	PART CODE	PART NAME	U/S	REMARK
0-1	59300HN9100	CALIPER ASS'Y, L (GT650)	1	
1	07120-08308	BOLT,CALIPER (RX)	2	
2	01514-06106	BOLT,SPEEDOMETER CABLE GUID(GV	1	
3	59266HN9100	CLAMP,SPEEDOMETER CABLE(GT650)	1	
4	59301HP9500	PAD SET(8.4T) (GV650)	1	
5	59360HN9100	CARRIER ASSY,FT CALIPER LH(GT)	1	
6	59303HG5100	PISTON SET,CALIPER (GV125,250)	1	1 PISTON & 2 SEALS
7	59313HG5100	INSULATOR AXLE CALIPER (GV)	1	
8	59302HG5100	AXLE CALIPER PAD (GV125,250)	1	
8-1	09505-65730	PLUG, CALIPER AXLE (GT650R)	1	
9	59121HG5100	BREATHER	2	
10	59315HG5100	SPRING (GV125)	1	
11	59122HG5100	CAP	2	
12	59312HG5100	BOOT (GV125)	1	

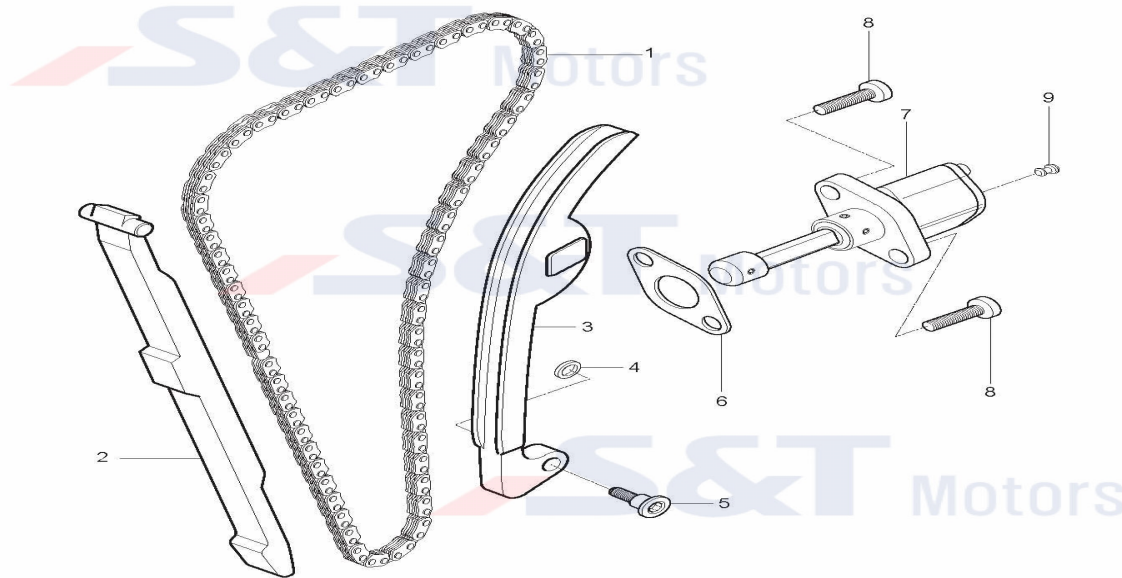
FIG. 40-1



-48-

SEQ	PART CODE	PART NAME	U/S	REMARK
0-1	59400HN9100	CALIPER ASS'Y R (GT650)	1	
1	07120-08308	BOLT,CALIPER (RX)	2	
2	59301HP9500	PAD SET(8.4T) (GV650)	1	
3	59315HG5100	SPRING (GV125)	1	
4	59303HG5100	PISTON SET,CALIPER (GV125,250)	1	1 PISTON & 2 SEALS
5	59313HG5100	INSULATOR AXLE CALIPER (GV)	1	
6	59302HG5100	AXLE CALIPER PAD (GV125,250)	1	
6-1	09505-65730	PLUG, CALIPER AXLE (GT650R)	1	
7	59121HG5100	BREATHER	2	
8	59305HG5100	AXLE NO.1	1	
9	59122HG5100	CAP	2	
10	59312HG5100	BOOT (GV125)	1	

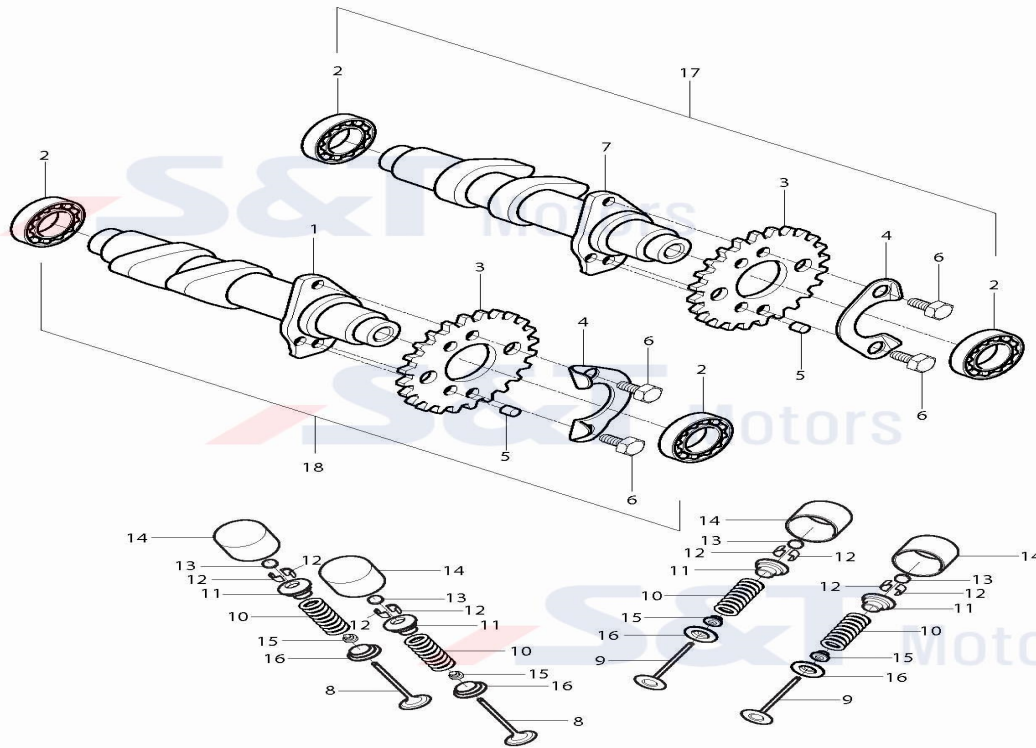
FIG 9



- 11 -

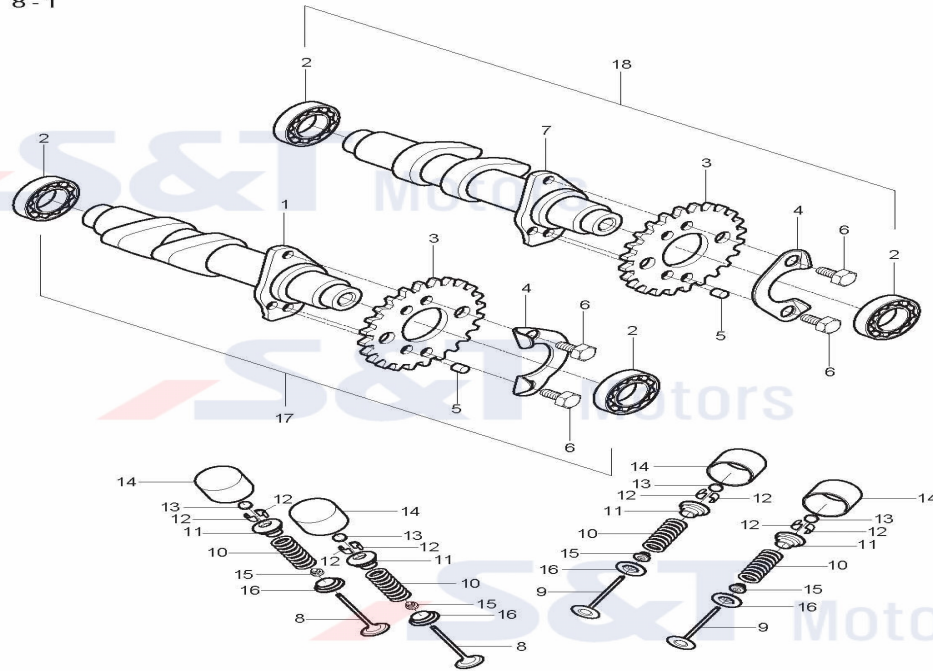
SEQ	PART CODE	PART NAME	U/S	REMARK
1	12760-16E00	CHAIN CAM SHAFT DRIVE(GT250RN)	2	
2	12771-16E00	GUIDE CAM CHAIN NO.1 (GSX)	2	
3	12811HJ8200	TENSIONER,CAM CHAIN (GV250)	2	
4	08211-06181	WASHER CAMLINK TENS BOLT (GD)	2	
5	12812H35C00	BOLT CAM CHAIN TENSIONER (GD)	2	
6	12837H31321	GASKET,TENSION ADJUSTER (GV125)	2	
6-1	12837HP7600	GASKET,TENSIONER ADJUSTER (GT)	2	
7	12830H31320	ADJUSTER ASS'Y,TENSION (GV,GD)	2	
7-1	12830HR6500	ADJUST ASSY,TENSIONER(GT125RAT)	2	cor. →12830HR6502→12830H88600
7-2	12830H88600	ADJUST ASSY,TENSIONER(GT125RAT)	2	
8	07110-06208	BOLT,FRONT FENDER LH (GD,GA-F)	4	
9	12839-38200	PLUG,ADJUSTER (GD,GA-F)	2	
9-1	12839HN9120	SCREW,TENSIONER ADJUSTER(GT250)	2	

FIG 8-2



SEQ	PART CODE	PART NAME	U/S	REMARK
1	12711HJ8200888	CAM SHAFT,INTAKE RR (GV250)	1	
2	09262H17005	BEARING,CAM SHAFT (GT250)	4	=09262-17019
3	12741H16E00	SPROCKET,CAM SHAFT (GD)	2	
4	12747-44B00	WASHER SPROCKET (GD)	2	
5	09261-05005	KNOCK PIN,SPROCKET	2	
6	09111-06032	BOLT,SPROCKET	4	
7	12721HJ8200888	CAM SHAFT,EXHAUST FRONT (GV250)	1	
8	12911HJ8200	VALVE,INTAKE (GV250)	2	
9	12912HJ8200	VALVE,EXHAUST (GV250)	2	
10	12921HJ8200	VALVE SPRING (GV250)	4	
11	12931HJ8200	RETAINER,VALVE SPRING (GV250)	4	
12	12932HJ8200	COTTER,VALVE (GV250)	8	
13	12892-05C00170	SHIM TAPPET (GD)	4	
14	12881H88400	TAPPET (GV250N)	4	=12881HJ8200
15	09289H04002	SEAL,VALVE STEM OIL (GV250)	4	
16	12933HJ8200	SEAT,VALVE SPRING (GV250)	4	
17	12710HJ8200HPA	CAM SHAFT ASSY FRONT INTAKE(GV	1	

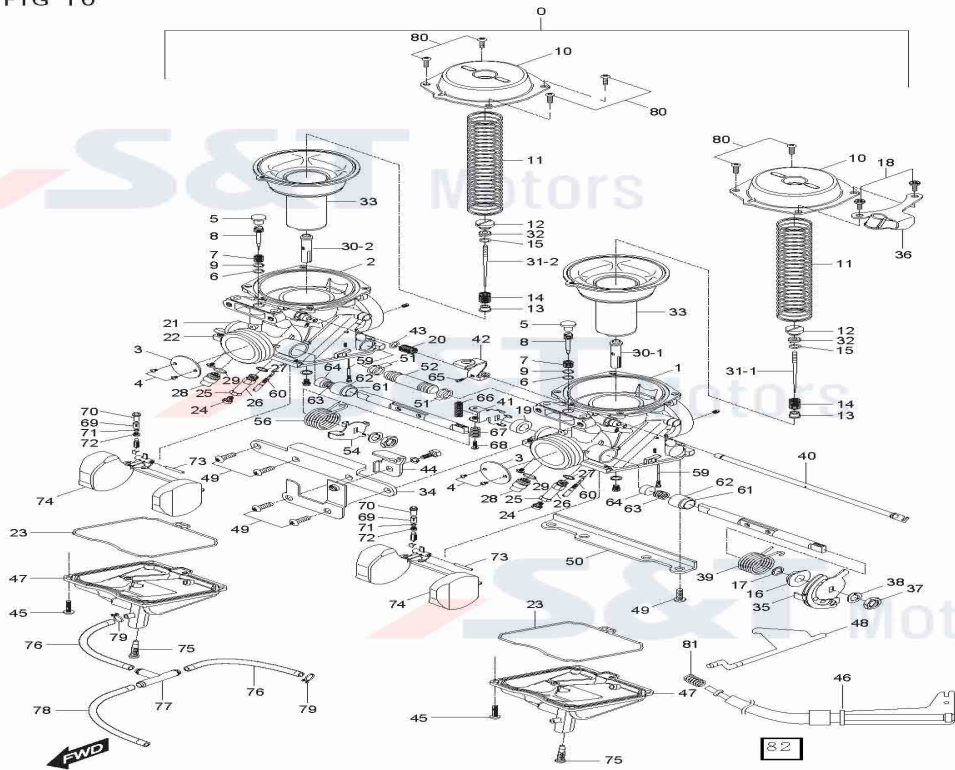
FIG 8-1



- 9 -

SEQ	PART CODE	PART NAME	U/S	REMARK
1	12711HM8100888	CAM SHAFT,INTAKE FRONT (GT250	1	
2	09262H17005	BEARING,CAM SHAFT (GT250)	4	=09262-17019
3	12742HJ8200	SPROCKET,CAM SHAFT REAR(GV250)	2	
4	12747-44B00	WASHER SPROCKET (GD)	2	
5	09261-05005	KNOCK PIN,SPROCKET	2	
6	09111-06032	BOLT,SPROCKET	4	
7	12721HJ8200888	CAM SHAFT,EXHAUST FRONT (GV250)	1	
8	12911HJ8200	VALVE,INTAKE (GV250)	2	
9	12912HJ8200	VALVE,EXHAUST (GV250)	2	
10	12921HJ8200	VALVE SPRING (GV250)	4	
11	12931HJ8200	RETAINER,VALVE SPRING (GV250)	4	
12	12932HJ8200	COTTER,VALVE (GV250)	8	
13	12892-05C00170	SHIM TAPPET (GD)	4	
14	12881H88400	TAPPET (GV250N)	4	=12881HJ8200
15	09289H04002	SEAL,VALVE STEM OIL (GV250)	4	
16	12933HJ8200	SEAT,VALVE SPRING (GV250)	4	
17	12720HM8100HPA	CAM SHAFT ASS'Y,REAR INTAKE(GT	1	

FIG 10



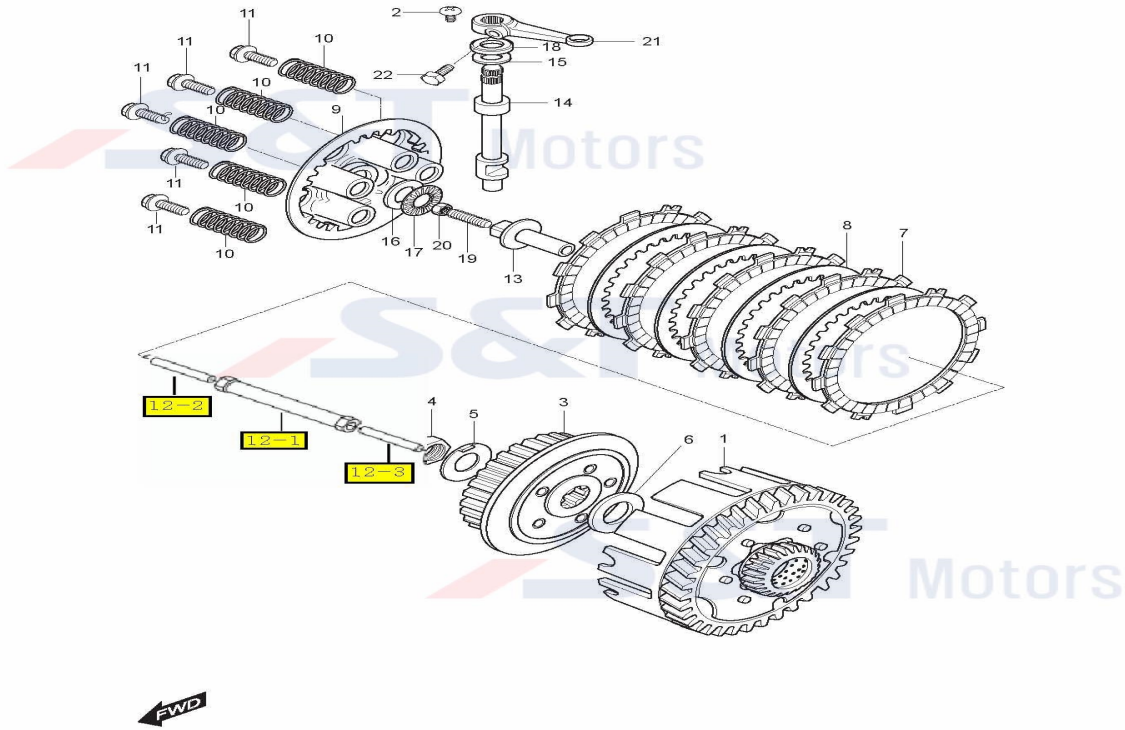
- 12 -

SEQ	PART CODE	PART NAME	U/S	REMARK
0	13200HM8101	CARBURETOR ASS'Y (GT250)	1	
1	13301HG5100	MIXING BODY ASS'Y (GV125)	1	
2	13302HG5100	MIXING BODY ASS'Y (GV125)	1	
3	13303HG5100	THROTTLE VALVE (GV125)	2	
4	13304HG5100	SCREW (GV125)	4	
5	13305HG5100	PLUG (GV125)	2	
6	13306HG5100	O-RING (GV125)	2	
7	13307HG5100	SPRING(CO) (GV)	2	
8	13308HG5100	ADJUSTER (GV125)	2	
9	13309HG5100	WASHER (GV)	2	
10	13310HG5100	DIAPHRAGM COVER (GV)	2	
11	13311HG5100	SPRING(CO) (GV)	2	
12	13312HG5100	SCREW (GV)	2	
13	13313HG5100	RING (GV)	2	
14	13314HG5100	SPRING(CO) (GV)	2	
15	13315HG5100	E-RING (GV)	2	
16	13316HG5100	RING (GV)	1	
17	13317HG5100	SEAL (GV)	1	

18	13318HG5100	BOLT	(GV)	2
19	13319HG5100	RING	(GV)	1
20	13320HG5100	SPRING(CO)	(GV)	1
21	13321HG5100	PACKING	(GV)	1
22	13322HG5100	SHAFT ASS'Y	(GV)	1
23	13323HG5100	O-RING	(GV)	2
24-1	13324HM8100	MAIN JET	(GT250)	1
24-2	13325HM8100	MAIN JET	(GT250)	1
25	13326HG5100	PACKING	(GV)	2
26	13327HG5100	SCREW	(GV)	2
27	13328HG5100	WASHER	(GV)	2
28	13329HG5100	SCREW	(GV)	2
29	13330HG5100	WASHER	(GV)	2
30-1	13331HM8100	NEEDLE JET(0-3M)	(GT250)	1
30-2	13332HM8100	NEEDLE JET(0-4M)	(GT250)	1
31-1	13333HM8100	JET NEEDLE	(GT250)	1
31-2	13334HM8100	JET NEEDLE	(GT250)	1
32	13337HG5100	RING	(GV)	2
33	13338HG5100	DIAPHRAGM ASS'Y	(GV)	2
34	13339HG5100	PLATE	(GV)	1
35	13340HG5100	LEVER ASS'Y	(GV)	1
36	13341HG5100	BRACKET ASS'Y	(GV)	1
37	13342HG5100	NUT	(GV)	1
38	13343HG5100	WASHER	(GV)	1
39	13344HG5100	SPRING(CO)	(GV)	1
40	13345HG5100	SHAFT ASS'Y	(GV)	1
41	13346HG5100	THROTTLE SHAFT ASS'Y	(GV)	1
42	13347HG5100	STARTER LEVER	(GV)	1
43	13348HG5100	E-RING	(GV)	1
44	13349HG5100	BRACKET ASS'Y	(GV)	1
45	13350HG5100	SCREW	(GV)	8
46	13351HG5100	ADJUST SCREW ASS'Y	(GV)	1
47	13352HG5100	FLOAT BODY ASS'Y	(GV)	2
48	13353HG5100	BRACKET	(GV)	1
49	13354HG5100	SCREW	(GV)	8
50	13355HG5100	PLATE	(GV)	1
51	13356HG5100	O-RING	(GV)	4
52	13357HG5100	NIPPLE	(GV)	1
53	13358HG5100	HOSE	(GV)	1
54	13359HG5100	THROTTLE SHAFT	(GV)	1
55	13360HG5100	NIPPLE	(GV)	1
56	13361HG5100	SPRING(CO)	(CO)	1
57	13362HG5100	HOSE	(GV)	1
58	13363HG5100	HOSE	(GV)	1

59	13364HM8100	JET(PAJ)	(GT250)	2
60	13365HM8100	JET PILOT	(GT250)	2
61	13366HG5100	CAP	(GV)	2
62	13367HG5100	GUIDE HOLDER	(GV)	2
63	13368HG5100	SPRING(CO)	(GV)	2
64	13369HG5100	PLUNGER ASS'Y	(GV)	2
65	13370HG5100	SCREW	(GV)	1
66	13371HG5100	SPRING(CO)	(GV)	1
67	13372HG5100	SPRING(CO)	(GV)	1
68	13373HG5100	SCREW	(GV)	1
69	13374HG5100	FILTER	(GV)	2
70	13375HG5100	NEEDLE VALVE ASS'Y	(GV)	2 cor. 13375HJ8230
70-1	13375HJ8230	NEEDLE VALVE ASS'Y(VS)	(GV250)	2
71	13376HG5100	O-RING	(GV)	2
72	13377HG5100	SCREW	(GV)	2
73	13378HG5100	PIN	(GV)	2
74	13379HG5100	FLOAT ASS'Y	(GV)	2
75	13380HG5100	SCREW	(GV)	2
76	13381HG5100	HOSE	(GV)	2
77	13382HG5100	NIPPLE	(GV)	1
78	13383HG5100	HOSE	(GV)	1
79	13384HG5100	CLIP	(GV)	2
80	13385HG5100	SCREW	(GV)	6
81	13386HG5100	SPRING(CO)	(GV)	1
82	09128-05005	BOLT,FUEL TANK INLET	(GD250R)	1

FIG 14

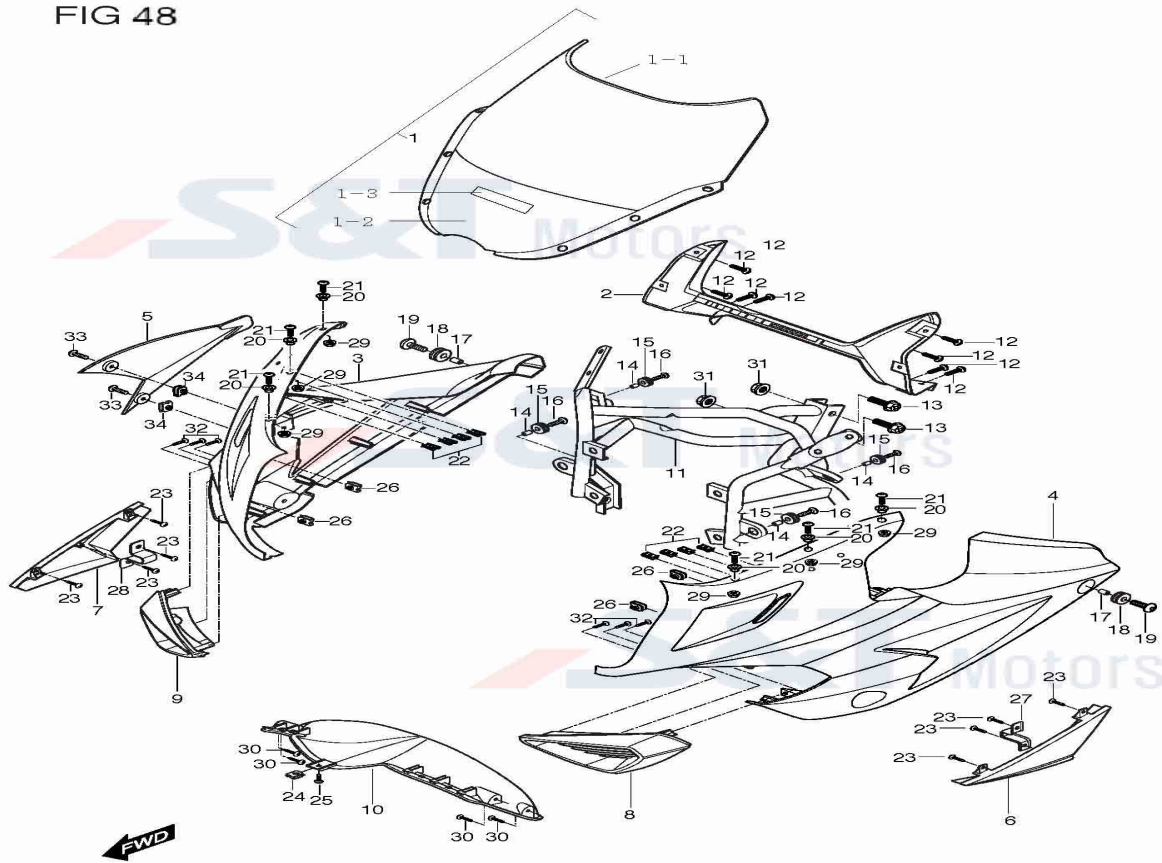


- 18 -

SEQ	PART CODE	PART NAME	U/S	REMARK
1	21200HJ8200HPA	GEAR COMP,PRIMARY DRIVEN(GV250	1	with HOUSING
2	02142-06108	SCREW,KICK STARTER	1	
3	21411HJ8202	HUB,CLUTCH SLEEVE (GV250)	1	cor. 21411HJ8203
3-1	21411HJ8203	HUB,CLUTCH SLEEVE (GV250)	1	
4	09140-16014	NUT,CLUTCH SLEEVE	1	
5	09169H16001	LOCK WASHER,CLUTCH SLEEVE(GV25	1	
6	09167H18001	WASHER THRUST,CLUTCH SLEEVE(GV	1	
7	21441HJ8201	PLATE,CLUTCH DRIVE (GV250)	6	
8	21451HJ8201	PLATE,CLUTCH DRIVEN (GV250)	5	
9	21462HJ8201	DISK,CLUTCH PRESSURE (GV250)	1	
10	09440H16003	SPRING,CLUTCH (GV250)	5	
11	09116H05001	BOLT,CLUTCH SPRING 5*20(GV250)	5	
12	23110HJ8201	ROD COMP,CLUTCH PUSH (GV250)	1	
12-1	23110HJ8202	ROD COMP,CLUTCH PUSH (GT250)	1	
12-2	23115HN9100	ROD,CLUTCH PUSH NO.2 (GT650)	1	
12-3	23113HJ8200	ROD,CLUTCH PUSH R (GV250)	1	
13	23121-38201	PIECE CLUTCH PUSH (GD)	1	

14	23122HG5100	SHAFT,CLUTCH RELEASE CAM (GV)	1
15	08211-10201	THRUST WASHER,CLUTCH RELEASE	1
16	09160-15015	THRUST WASHER,CLUTCH RELEASE	1
17	09263H15001	BEARING,CLUTCH RELEASE	1
18	09282-10007	OIL SEAL,CLUTCH RELEASE CAM	1
19	09134-06010	SCREW,CLUTCH RELEASE	1
20	08310-22068	NUT,UNIT&COIL (GV650)	1
21	23271HJ8250	ARM,CLUTCH RELEASE (GV250- KEU	1
22	01107-06168	BOLT,RELEASE ARM (GT250RN)	1

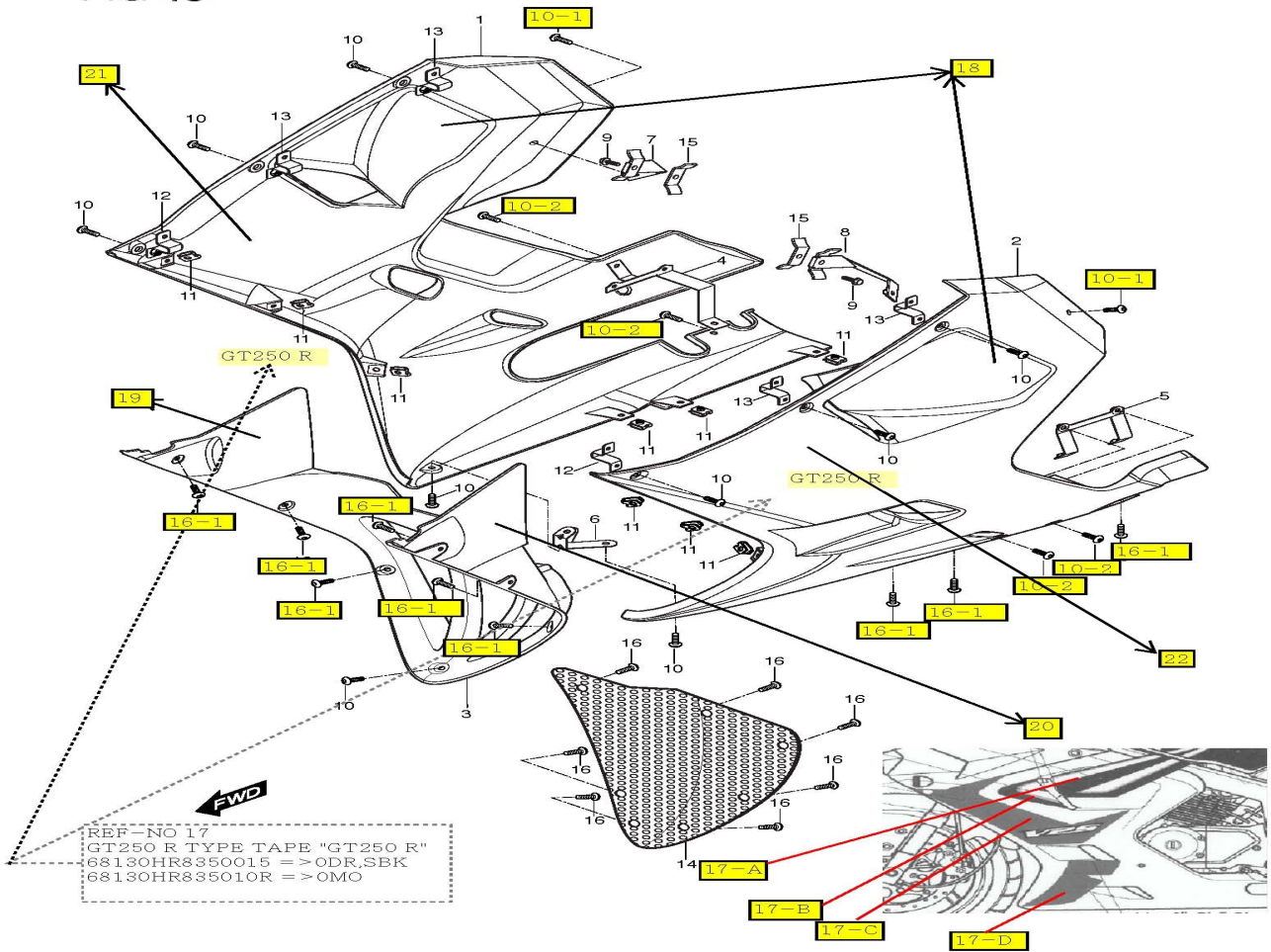
FIG 48



SEQ	PART CODE	PART NAME	U/S	REMARK
1	94611HP9203HPA	WINDSCREEN (GT650)	1	
1-2	68500HP9200	TAPE,WINDSCREEN (GT650S)	1	
1-3	68120HL7300120	EMBLEM,WIND "HYOSUNG"(GT250RN)	1	
2	94641HP9202	PANEL,METER (GT250RN)	1	
3	94411HP9203TBK	COWLING,BODY SIDE R (GT250RN)	1	
3-1	94411HP9203TDR	COWLING,BODY SIDE R (GT250RN)	1	
3-2	94400HR83000DR	BODY COWLING SET (GT250R)	1	ADD SPEEDOMETER
4	94421HP9203TBK	COWLING,BODY SIDE L (GT250RN)	1	
4-1	94421HP9203TDR	COWLING,BODY SIDE L (GT250RN)	1	
5	94431HP9200TBK	COWLING,BODY SIDE R INNER(GT65)	1	
5-1	94431HP9200TDR	COWLING,BODY SIDE R INN(GT650)	1	
8	94671HP9200121	COWLING,AIR DUCT L (GT650S)	1	
9	94661HP9200121	COWLING,AIR DUCT R (GT650S)	1	
10	94441HP92000BK	COWLING,BODY CENTER LOWER(GT65)	1	
10-1	94441HP9200TDR	COWLING,BODY CENTER LOW(GT650S)	1	D-RED
11	94510HP9202	BRACE COMP,COWLING (GT650S)	1	
12	03241-05125	SCREW LOWER COVER CENT (EZ,	8	

13	09103H08254	BOLT,CALIPER (GV)	2
14	09180H06208	SPACER HEAD LAMP (GD)	4
15	09320-09034	CUSHION HEADLEMP (GD)	4
16	09116-06143	BOLT OIL COOLER (GSX)	4
17	09180H06208	SPACER HEAD LAMP (GD)	2
18	09320-09016	CUSHION,TOOL HOLDER	2
19	09136-06113	SCREW BODY COWL'G FIT'G (GD)	4
20	09320-07012	CUSHION WINDSCREEN (GD)	6
21	09106H05150	WRENCH BOLT 5*15MM	6
22	09148-05004	NUT	8
23	03241-05106	SCREW,HEAD LAMP HOUSING CLA(GV)	8
24	09148-05004	NUT	1
25	03241-05125	SCREW LOWER COVER CENT (EZ,	1
26	09148-06020	NUT	4
29	08316-26055	NUT,FRONT TURN SIGNAL LAMP	6
30	03211-05166	SCREW,HANDLE COVER	4
31	08313-11088	NUT COW'G BRACE UPPER (GD)	2
32	03241-04128	SCREW,FRAME COVER REAR LOWER	6
33	09106H06150	WRENCH BOLT 6*15MM (GT650)	2
34	09148-06020	NUT	2
35	09169-05018	WASHER WINDSCREEN□□ (GSX)	6
36	94454HP9400	CUSHION,UPPER COWLING R(GT650R)	1
37	94455HP9400	CUSHION,UPPER COWLING L(GT650R)	1

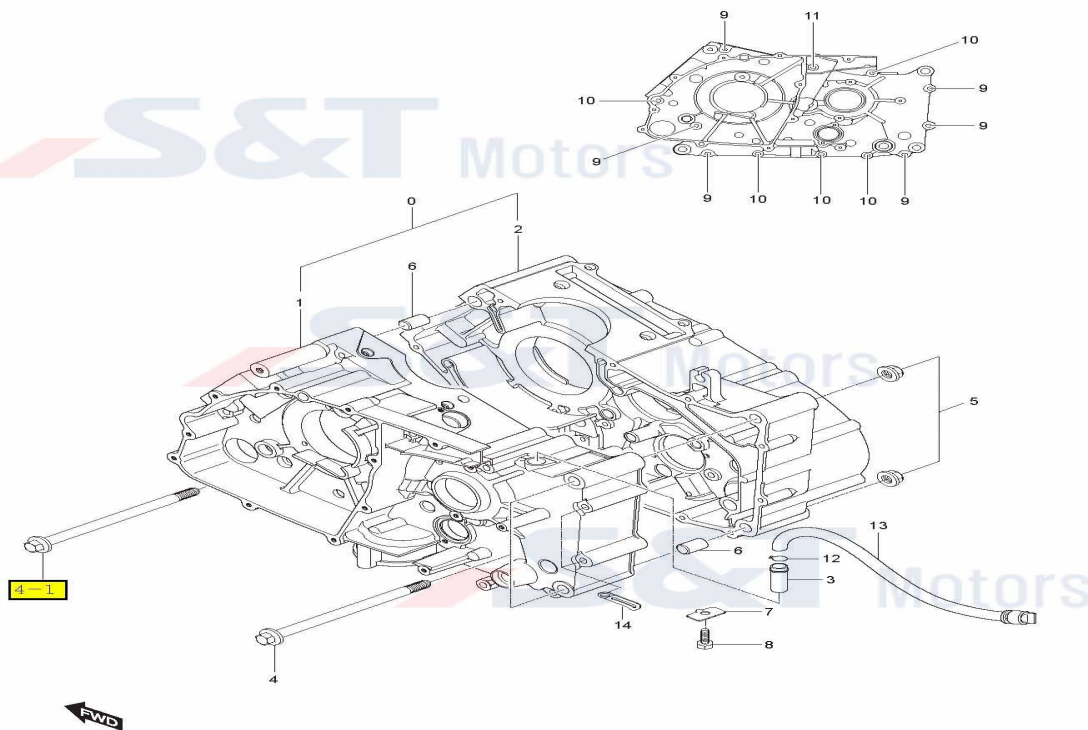
FIG 49



SEQ	PART CODE	PART NAME	U/S	REMARK
0	94409HR83000BK	UNDER COWLING SET (GT250R)	1 BLACK	
0-1	94409HR83000DR	UNDER COWL'G SET (GT250R)	1 D-RED	
1	94432HP94100BK	COWLING,UNDER R (GT250R)	1 BLACK	
1-1	94432HP94100DR	COWLING,UNDER R (GT250R)	1 D-RED	
1-2	94432HR83710BK	COWLING,UNDER R (GT250R)	1 BLACK	
1-3	94432HR83720BK	COWLING,UNDER R (GT250R)	1 BLACK	
2	94433HP94100BK	COWLING,UNDER L (GT250R)	1	
2-1	94433HP94100DR	COWLING,UNDER L (GT250R)	1 D-RED	
2-2	94433HR83710BK	COWLING,UNDER L (GT250R)	1 BLACK	
2-3	94433HR83720BK	COWLING,UNDER L (GT250R)	1 BLACK	
3	94431HP9400TBK	COWLING,UNDER CENTER (GT650R)	1	
3-1	94431HP9200TDR	COWLING,BODY SIDE R INN(GT650	1	
4	94434HR8300	PLATE,UNDER COWLING R (GT250R)	1	
5	94435HR8300	PLATE,UNDER COWLING L (GT250R)	1	
6	94436HP9401	PLATE UNDER CENTER COWL'G(GT65	1	
7	94478HR8300	BKT,FRAME&BODY SIDE R (GT250R)	1	
8	94479HR8300	BKT,FRAME&BODY SIDE L (GT250R)	1	

9	01134-06306	BOLT,FUEL TANK REAR	2
10	09106H05150	WRENCH BOLT 5*15MM	11
10-1	09136-06113	SCREW BODY COWL'G FIT'G (GD)	2
10-2	09106H06150	WRENCH BOLT 6*15MM (GT650)	4
11	09148-05004	NUT	9
12	94425HP9401	PLATE BODY COWLING SIDE LOW(GT	2
13	94426HP9401	PLATE,BODY SIDE COWLING(GT650R	4
14	94439HP9401	GRILL,UNDER CENTER (GT250R)	1
15	94417HP9201	PLATE COMP,FRAME BODY COW NO2	2
16	03151-05125	SCREW LOWER COVER CENT	7
16-1	03241-05125	SCREW LOWER COVER CENT (EZ,	9
17	68130HR8300015	TAPE,GT250R"COMET250R"(GT250R)	2
17-1	68130HR830003P	TAPE,GT250R"COMET250R"(GT250R)	2
18	94453HP9400	CUSH,UNDER COW SIDE L (GT650R)	2
19	94456HP9400	CUSH,UNDER CENT COW L (GT650R)	1
20	94457HP9400	CUSH,UNDER CENT COW R (GT650R)	1
21	94458HP9400	CUSHION,UNDER COWLING R(GT650R	1
22	94459HP9400	CUSHION,UNDER COWLING L(GT650R	1

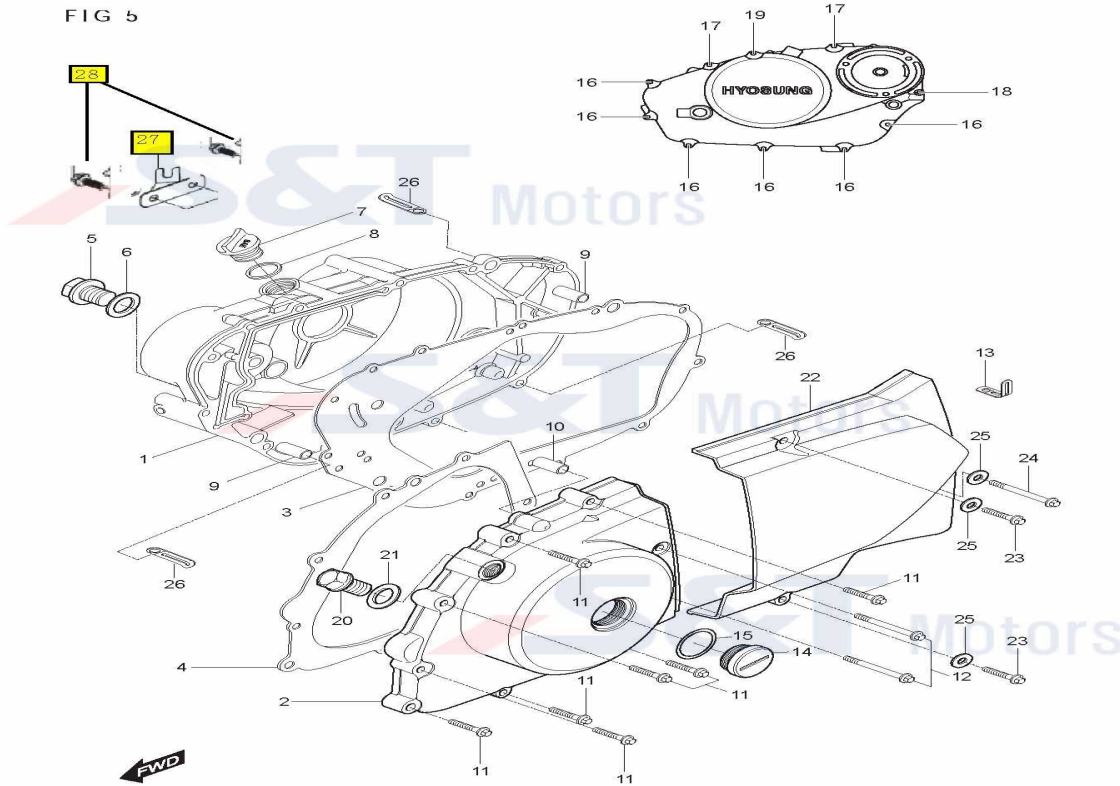
FIG 4



- 5 -

SEQ	PART CODE	PART NAME	U/S	REMARK
0	11300HM8100HPA	CRANK CASE ASS'Y (GT250)	1	
1	11320HM8100PCC	CRANK CASE L (GT250)	1	cor. 11320HM8100HPA
1-2	11320HM8100HPA	CRANK CASE L (GT250)	1	
1-1	11320HM8100HPA	CRANK CASE L (GT250)	1	
2	11310HM8100PCC	CRANK CASE R (GT250)	1	cor. 11310HJ8201HPA
2-1	11310HJ8201HPA	CRANK CASE R (GV250)	1	
1-1	11310HM8100HPA	CRANK CASE R (GT250)	1	
3	09364-12001	UNION,BREATHER HOSE	1	
4	09103H10022	BOLT,CENTER STAND (GT250RN)	3	
4-1	09103H10099	BOLT,FM & E/G FRONT L=229(GT250)	1	
5	08319-31108	NUT,FRONT SORBER	3	
6	04213-13189	PIN,CRANK CASE (GT&GV)	2	
7	11319-05200	PLATE,OIL GALLAY PLUG	1	
8	01107-06106	BOLT,DR SH RETAINER	1	
9	01547-06558	BOLT,CRANK CASE	6	
10	01547-06808	BOLT,CRANKCASE (GD)	5	
11	02112-06908	SCREW,CL COVER R	1	
12	09401-14301	CLIP	1	

13	13870H29B00	CAP COMP BREATHER	1
14	09404-06404	CLAMP,WIRING HARNESS	2

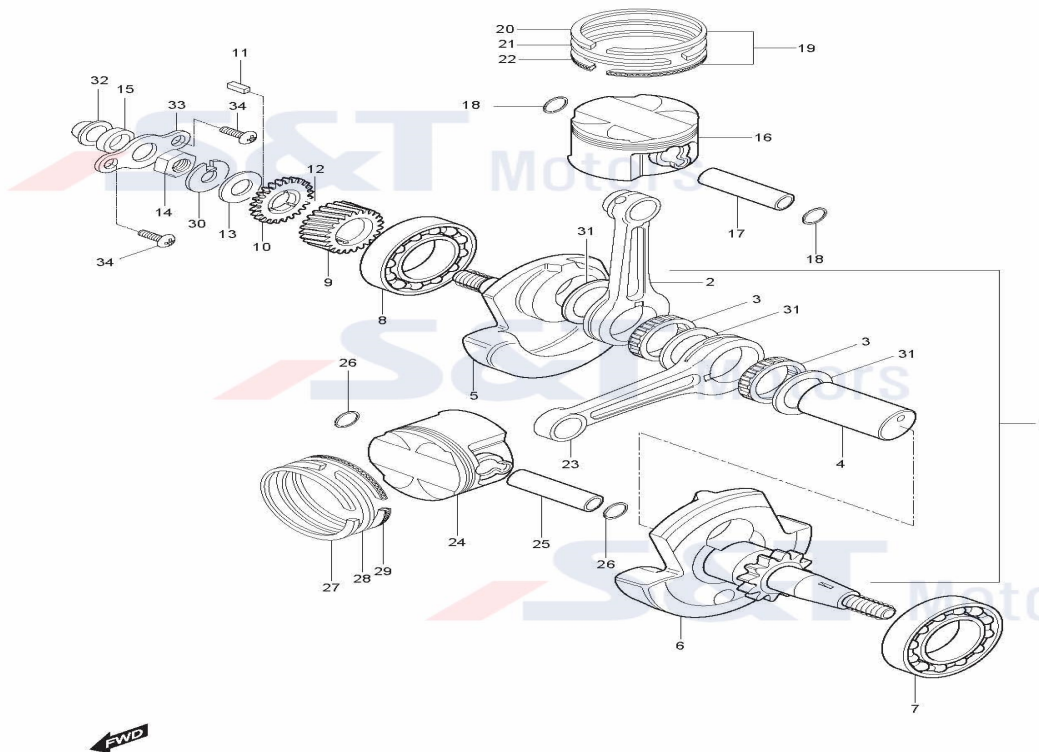


- 6 -

SEQ	PART CODE	PART NAME	U/S	REMARK
1	11340SJ8200HPA	COVER CLUTCH ASS'Y□□□(GT2	1	
2	11351HJ820303S	COVER,MAGNETO (GT250FI)	1	
3	11482HG5102	GASKET CLUTCH COVER (GV-125)	1	
4	11483HG5102	GASKET,MAGNETO COVER (GV125)	1	
5	09247-14026	PLUG,BOLT	1	
6	09168H14003	GASKET,OIL CHECK PLUG (SB)	1	
7	09259-2000903S	PLUG,ENGINE OIL FILTER (GS)	1	
8	09280-17003	O/RING,ENGINE OIL FILTER	1	cor. 09280H17003
8-1	09280H17003	O-RING,ENGINE OIL FILTER (FX)	1	
9	04213-13189	PIN,CRANK CASE (GT&GV)	2	
10	04213-09129	PIN,MAGNETO COVER	1	
11	01547-06308	BOLT,MAGNET&CLUTCH COVER (EZ)	7	
12	01547-06708	BOLT,MAGNETO COVER (GV250)	2	
13	09403H09304	CLAMP CLUTCH CABLE (GA)	1	
14	09259-2601503S	PLUG,CRANK SHAFT HOLE (GS)	1	
15	09280-22008	O/RING,CRANK SHAFT HOLE PL	1	
16	01547-06258	BOLT,INTAKE HEAD (GV650)	6	

17	01547-06358	BOLT,MAGET&SPROCKET COV	2
18	01547-06608	BOLT,CAM SHAFT HOLDER (GA)	1
19	01547-06758	BOLT,CRANK CASE	1
20	09247H12102	PLUG,T D C	1
21	09168H12003	GASKET,TDC PLUG (SB)	1
22	11360HM810103S	COVER,ENGINE SPROCKET (GT250)	1
23	01547-06308	BOLT,MAGNET&CLUTCH COVER (EZ)	2
24	01547-06408	BOLT,MAGNET COVER (GV650)	1
25	08321-31068	LOCK WASHER	3
26	09404-06401	CLAMP,OIL HOSE	3
27	13353HR8300	BKT,CARBURETOR ADJUST (GT250R)	1 cor. 13350HR8302
27-1	13350HR8302	BKT,CARBURETOR ADJUST (GT250R)	1
27~1	13350HR8302	BKT,CARBURETOR ADJUST (GT250R)	1
28	01547-06408	BOLT,MAGNET COVER (GV650)	2

FIG 6

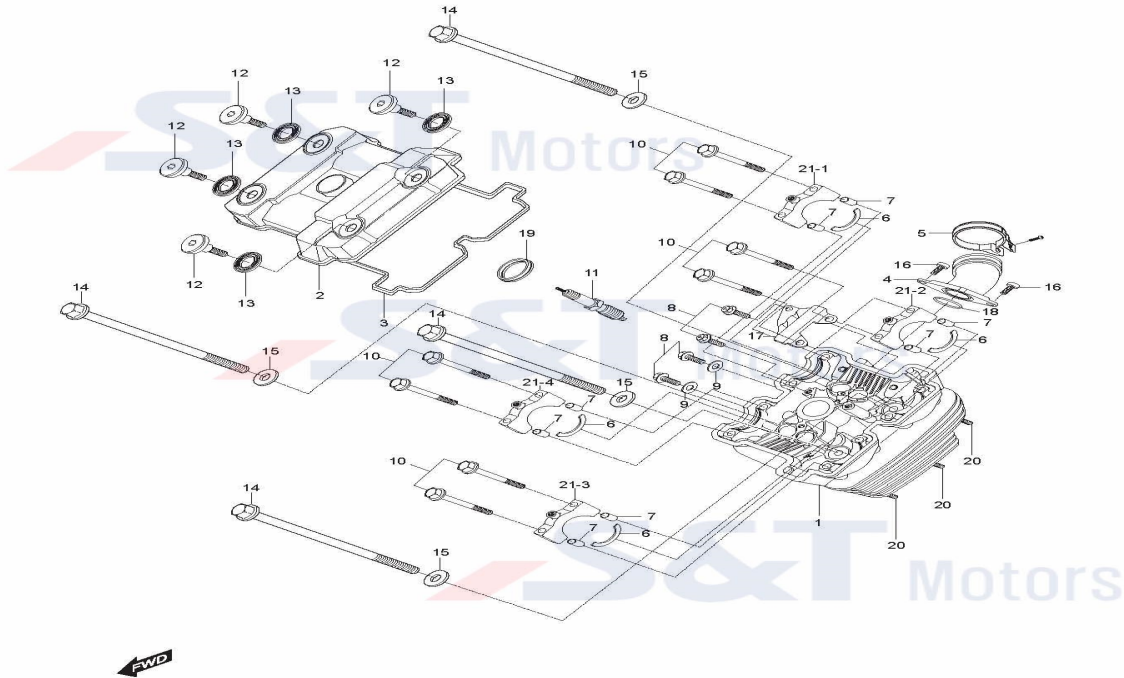


- / -

SEQ	PART CODE	PART NAME	U/S	REMARK
1	12200HJ8201HPA	CRANK SHAFT ASS'Y (GV250	1	
2	12161HJ8200	ROD,CONNECTING (GV250)	1	
3	09263H30002	BEARING,CRANK PIN□□□(GV25	2 cor. 09263H30003	
3-1	09263H30003	BEARING,CRANK PIN (GD)	2	
4	12211HJ8202HPA	PIN COMP,CRANK (GV250)	1 cor. 12210HJ8203HPA	
4-1	12210HJ8203HPA	PIN COMP,CRANK(PIN+BALL)(GV250	1	
5	12221HJ8204CSA	CRANK SHAFT R (GV250)	1	
6	12261HJ8205CSA	CRANK SHAFT L (GV250)	1	
7	09262H35002	BEARING,CRANK SHAFT L(RX125SM)	1	
8	09262H35002	BEARING,CRANK SHAFT L(RX125SM)	1	
9	21111HJ8201	GEAR,PRIMARY DRIVE (GV250)	1	
10	21112HJ8200	GEAR,PRIMARY DRIVE NO2 (GV250)	1	
11	09421H05001	KEY,PRIMARY DRIVE GEAR (GV250)	1	
12	21114-35C00	SPRING PRIARY DRIVE GEAR(GSX)	3	
13	09166H16021	WASHER,PRIMARY DRIVE GEAR(GV)	1	
14	09140-16019	NUT,PRIMARY DRIVEN GEAR	1	
15	09282-12001	OIL SEAL,CRANK SHAFT RH	1	

16	12111-16E00	PISTON	(GT250)	1 =12111-16E00PPS
16-3	12111-16E00	PISTON	(GT250)	1 =12111-16E00PPS
16-1	12111S16E00HPA	PISTON ASS'Y	(GD)	1
16-2	12111S16E00HPA	PISTON ASS'Y	(GD)	1
17	12151-30B00	PIN,PISTON	(GD,GA-F)	1
18	09381-15001	CIRCLIP,PISTON PIN	(GD,GA-F)	2
19	12140-16E00	RING SET,PISTON	(GD,GA-F)	2 12141-16E00,12142-16E00,12144-16E00
20	12141-16E00	RING,PISTON 1ST	(GD,GA-F)	1
21	12142-16E00	RING,PISTON 2ND	(GD,GA-F)	1
22	12144-16E00	RING,PISTON OIL	(GD,GA-F)	1
23	12161HJ8200	ROD,CONNECTING	(GV250)	1
24	12111-16E00	PISTON	(GT250)	1 =12111-16E00PPS
24-3	12111-16E00	PISTON	(GT250)	1 =12111-16E00PPS
24-1	12111S16E00HPA	PISTON ASS'Y	(GD)	1
24-2	12111S16E00HPA	PISTON ASS'Y	(GD)	1
25	12151-30B00	PIN,PISTON	(GD,GA-F)	1
26	09381-15001	CIRCLIP,PISTON PIN	(GD,GA-F)	2
27	12141-16E00	RING,PISTON 1ST	(GD,GA-F)	1
28	12142-16E00	RING,PISTON 2ND	(GD,GA-F)	1
29	12144-16E00	RING,PISTON OIL	(GD,GA-F)	1
30	09166H16032	WASHER,PRIMARY DRIVE GEAR(GV25)		1
31	09160H30001	WASHER,CONNROD THRUST (GV250)		3
32	11342HG5100	JET,CLUTCH COVER	(GV)	1
33	11343HG5100	RETAINER,CLUTCH COVER	(GV)	1
34	02112-06108	SCREW		2

FIG 1-1

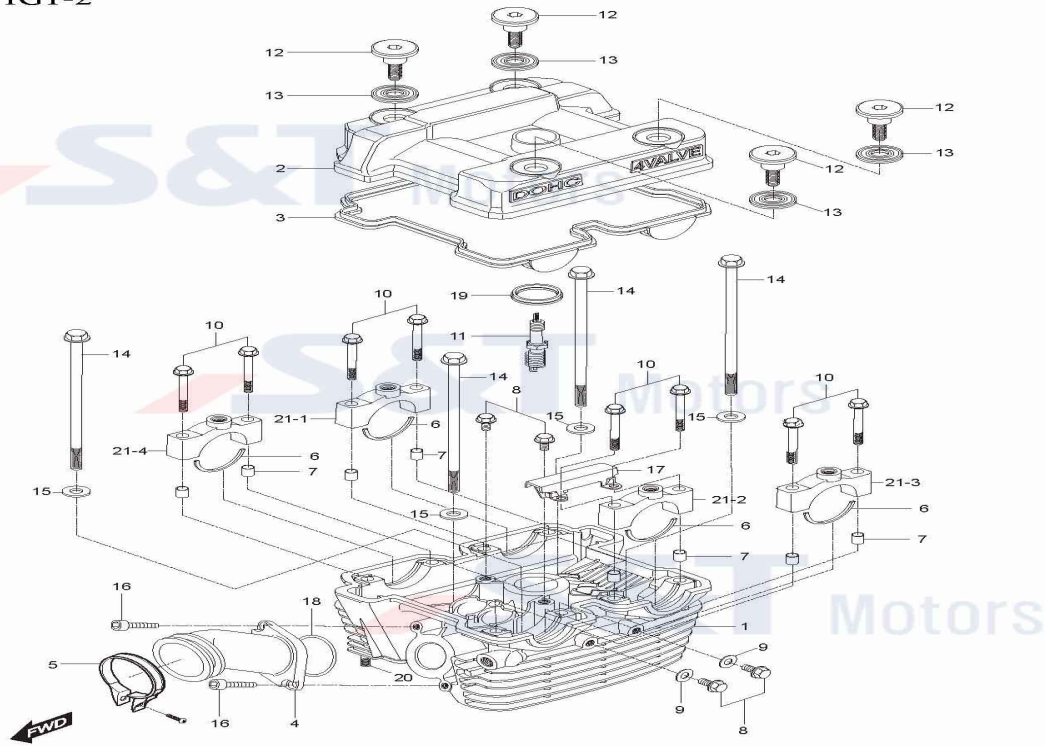


- 2 -

SEQ	PART CODE	PART NAME	U/S	REMARK
1	11110SM8100HPA	HEAD COMP,CYLINDER (GT250)	1	
1-1	11110HM8100HPA	CYLINDER HEAD ASS'Y,FT (GT250)	1	
2	11171HG510203S	COVER,CYLINDER HEAD (GT250)	1	
3	11173HG5100	GASKET CYLINDER HEAD COVER(GV)	1	
4	13110HM8102	PIPE COMP,INTAKE FRONT (GT250)	1	
5	09402-44207	CLAMP,INTAKE PIPE	1	
6	09390-35001	C-RING	4	
7	09206-08001	PIN,MAGNET COVER (GT&GV)	8	
8	01517-06128	BOLT,OIL DRAIN	4	
9	09168H06019	GASKET,OIL GALLEY BOLT (GV)	2	
10	09103-06013	BOLT (GD)	8	
11	09482-00456HAS	SPARK PLUG(CR8E)	1	
12	09109H07018	BOLT,CYLINDER HEAD COVER (GV)	4	
13	09161H11008	WASHER,CYLINDER HEAD COVER(GD)	4	
14	09103H08306	BOLT,CYLINDER HEAD L130 (GV)	4	
15	09168-08021	GASKET CYLINDER HEAD BOLT	4	
16	09119H06002	BOLT (GV)	2	

17	12782-35C00	GUIDE CAM CHAIN NO.2 (GSX)	1
18	09280H34000	OIL RING,INTAKE PIPE (GT250)	1
19	11178-17E00	GASKET CYL/HEAD COVER NO.2	1
20	01421-06258	STUD BOLT CYLINDER (GA)	3
21-1	11121-35C00PCH	HOUSING,CAM SHAFT (GD)	1
21-2	11122-35C00PCH	HOUSING,CAM SHAFT (GD)	1
21-3	11123-35C00PCH	HOUSING CAM SHAFT (GD)	1
21-4	11124-35C00PCH	HOUSING CAM SHAFT (GD)	1

FIG1-2

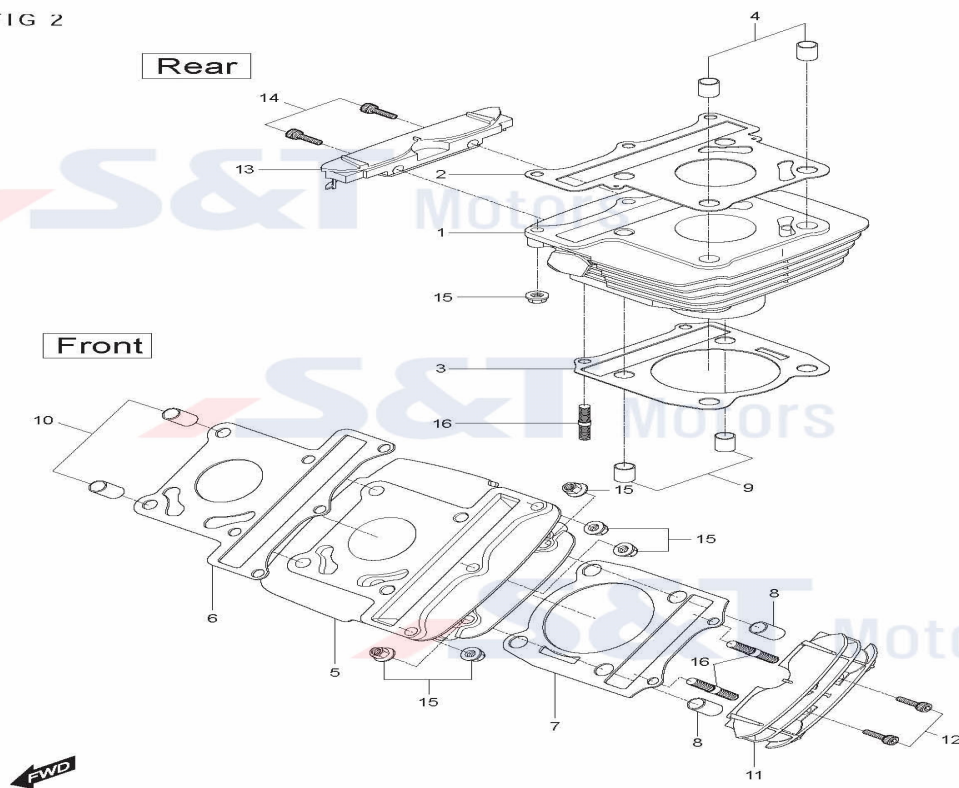


- 1 -

SEQ	PART CODE	PART NAME	U/S	REMARK
1	11110SM8100HPA	HEAD COMP,CYLINDER (GT250)	1	
1-1	11110HM8100HPA	CYLINDER HEAD ASS'Y,FT (GT250)	1	
2	11171HG510203S	COVER,CYLINDER HEAD (GT250)	1	
3	11173HG5100	GASKET CYLINDER HEAD COVER(GV)	1	
4	13120HM8101	PIPE COMP,INTAKE REAR (GT250)	1	
5	09402-44207	CLAMP,INTAKE PIPE	1	
6	09390-35001	C-RING	4	
7	09206-08001	PIN,MAGNET COVER (GT&GV)	8	
8	01517-06128	BOLT,OIL DRAIN	4	
9	09168H06019	GASKET,OIL GALLEY BOLT (GV)	2	
10	09103-06013	BOLT (GD)	8	
11	09482-00456HAS	SPARK PLUG(CR8E)	1	
12	09109H07018	BOLT,CYLINDER HEAD COVER (GV)	4	
13	09161H11008	WASHER,CYLINDER HEAD COVER(GD)	4	
14	09103H08306	BOLT,CYLINDER HEAD L130 (GV)	4	
15	09168-08021	GASKET CYLINDER HEAD BOLT	4	
16	09119H06002	BOLT (GV)	2	

17	12782-35C00	GUIDE CAM CHAIN NO.2 (GSX)	1
18	09280H34000	OIL RING,INTAKE PIPE (GT250)	1
19	11178-17E00	GASKET CYL/HEAD COVER NO.2	1
20	01421-06258	STUD BOLT CYLINDER (GA)	3
21-1	11121-35C00PCH	HOUSING,CAM SHAFT (GD)	1
21-2	11122-35C00PCH	HOUSING,CAM SHAFT (GD)	1
21-3	11123-35C00PCH	HOUSING CAM SHAFT (GD)	1
21-4	11124-35C00PCH	HOUSING CAM SHAFT (GD)	1

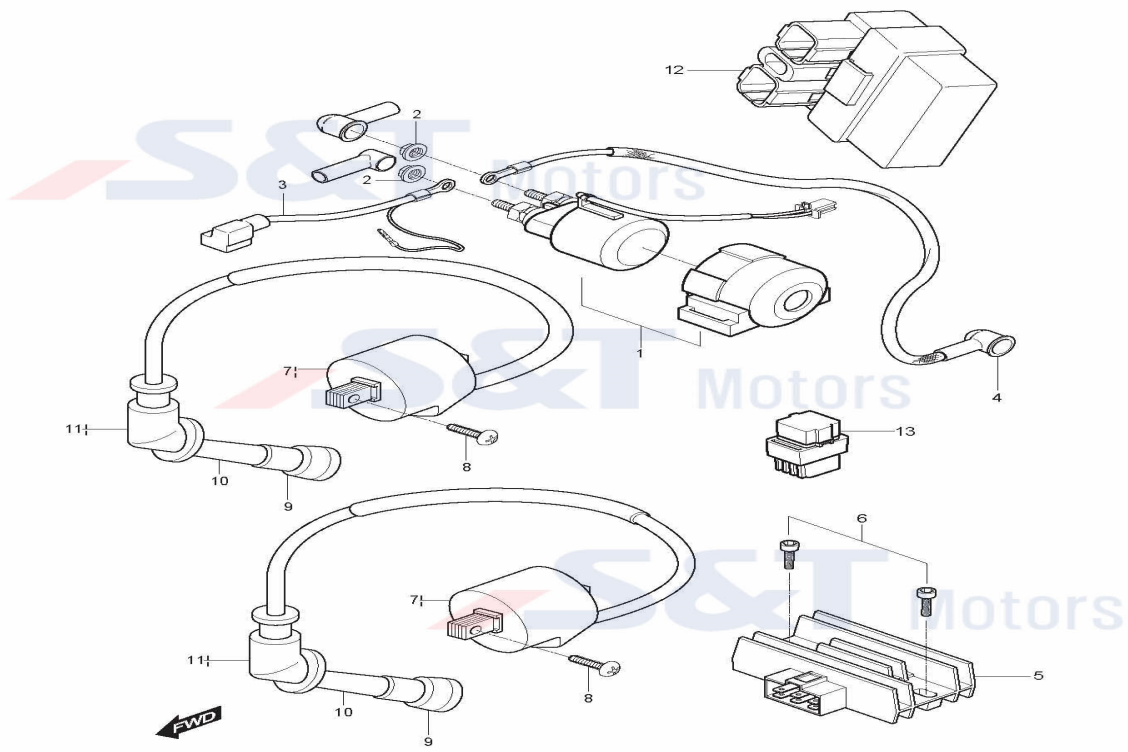
FIG 2



- 3 -

SEQ	PART CODE	PART NAME	U/S	REMARK
1	11220HM8110PCY	CYLINDER COMP,REAR (GT250)	1	
1-1	11220HR8600PCY	CYLINDER COMP,REAR (GT250RAT)	1	
2	11141HJ8210	GASKET,CYLINDER HEAD (GV250)	1	
3	11241HG5103	GASKET,CYLINDER(NA) (GV125)	1	
4	04213-11169	PIN,CYLINDER HEAD KNOCK (FX)	2	
5	11210HM8110PCY	CYLINDER COMP,FRONT (GT250)	1	
5-1	11210HR8600PCY	CYLINDER COMP,FRONT (GT250RAT)	1	
6	11141HJ8210	GASKET,CYLINDER HEAD (GV250)	1	
7	11241HG5103	GASKET,CYLINDER(NA) (GV125)	1	
8	04213-11149	KNOCK PIN	2	
9	04213-11149	KNOCK PIN	2	
10	04213-11169	PIN,CYLINDER HEAD KNOCK (FX)	2	
11	11251HG510003S	FIN,CYLINDER (GT250)	1	
12	07110-05168	BOLT,REAR CARRIER	2	
13	11251HG510003S	FIN,CYLINDER (GT250)	1	
14	07110-05168	BOLT,REAR CARRIER	2	
15	08316-16068	NUT (GV650)	10	
16	01421-06258	STUD BOLT CYLINDER (GA)	4	

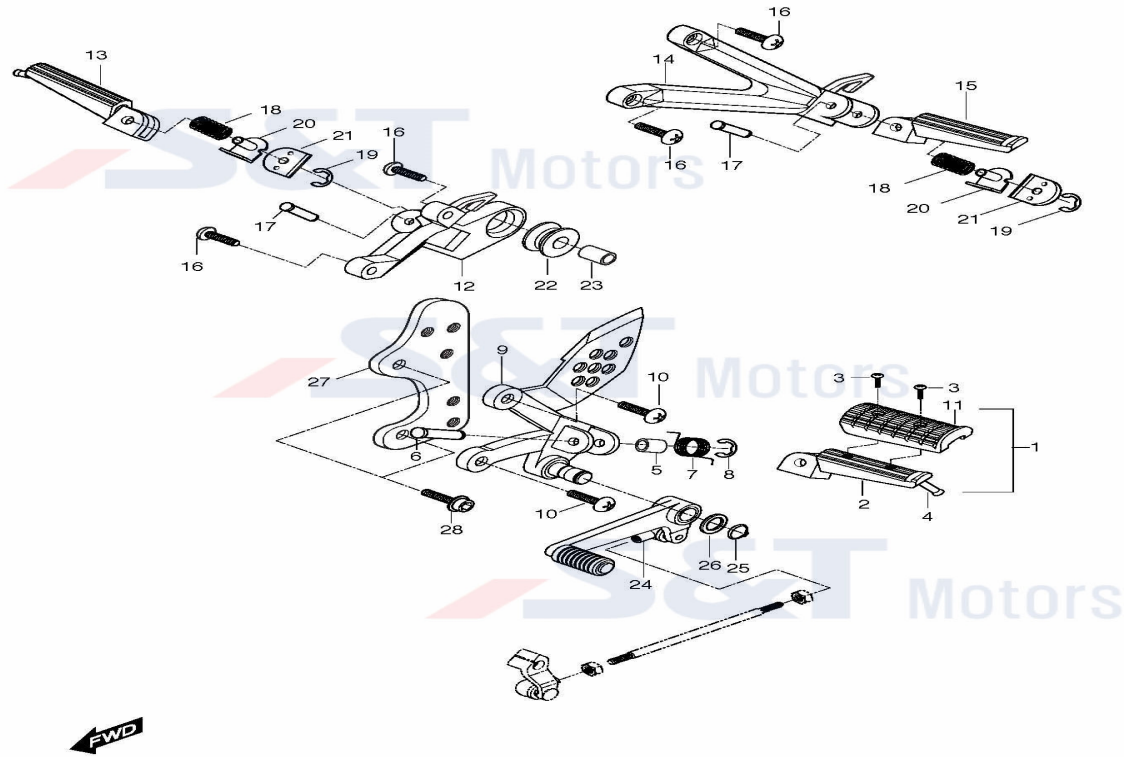
FIG 20



- 26 -

SEQ	PART CODE	PART NAME	U/S	REMARK
1	31800HG5100	RELAY ASSY'STARTING MOTOR (GV)	1	
2	08316-26066	NUT,REAR COMBI LAMP	2	
3	33840HM8101	LEAD WIRE,BATTERY PLUS (GT250)	1	
4	33850HM8100	LEAD WIRE,STARTER MOTOR(GT250)	1	
5	32800H01413	REGULATOR ASS'Y (TN,RG,GS)	1	
6	07110-06208	BOLT,FRONT FENDER LH (GD,GA-F)	2	
7	33410HG5100	COIL ASSY,IGNITION (GV)	2	
8	09128-06035	BOLT,FUEL COCK	2	
9	33541-23E01	SEAL SPARK PLUG (GD)	2	
10	33500H88412	CAP ASSY,SPARK PLUG (GV250N)	2	
11	33542-24D00	SEAL HIGH TENSION CORD (GSX)	2	
12	32900HM8154	C.D.I UNIT (GT125)	1	
13	38740HD8550	RELAY ASS'Y (GD250R)	1	

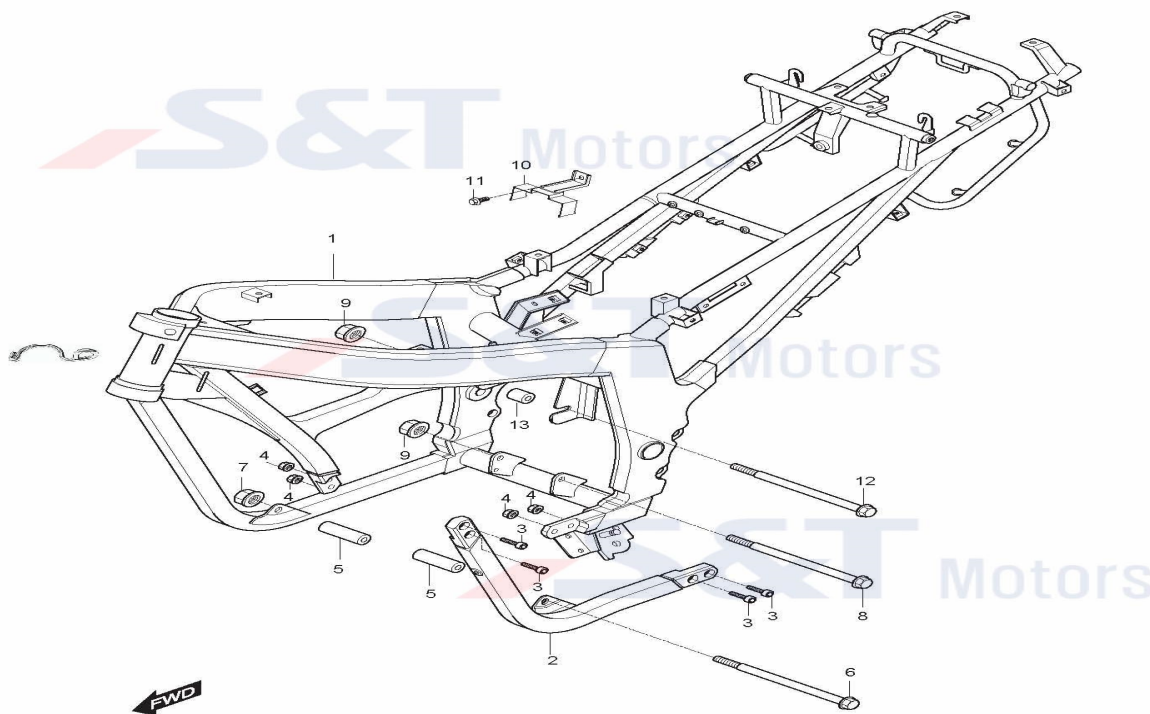
FIG 29



SEQ	PART CODE	PART NAME	U/S	REMARK
1	43571HC9701	FOOTREST,FRONT LH	1	
2	43571HM8100	FOOTREST BAR FRONT L (GT250)	1	
3	02112-05126	SCREW,FRONT FOOTREST (GT250)	2	
4	43533H30A40	BOLT,FRONT FOOTREST BAR (GT650)	1	
5	09180H08008	SPACER FRONT FOOTREST	1	
6	43579HM8101	PIN,FRONT FOOTREST (GT250)	1	
7	09448H14007	SPRING FRONT FOOTREST	1	
8	08332-11079	E-RING	1	
9	43540HN910103P	BRACKET COMP,FRONT FOOTREST L	1	
9-1	43540H9970103P	BRACKET,FRONT FOOTREST LH	1	
10	07120-08258	BOLT,GRIP HANDLE (GT250RN)	2	
11	43530H30A40	RUBBER FRONT FOOTREST (X100)	1	cor. 43532H30A40
11-1	43532H30A40	RUBBER,FOOTREST	1	[2010/6/9]
12	43621H9970003P	BKT,PILLION F/REST R (GT650RN)	1	
12-1	43621H9970003P	BKT,PILLION F/REST R (GT650RN)	1	[2011/2/16]
13	43661HM8101	FOOTREST,PILLION R (GT250)	1	
14	43721HM810403P	BRACKET,PILLION FOOTREST L(GT6)	1	

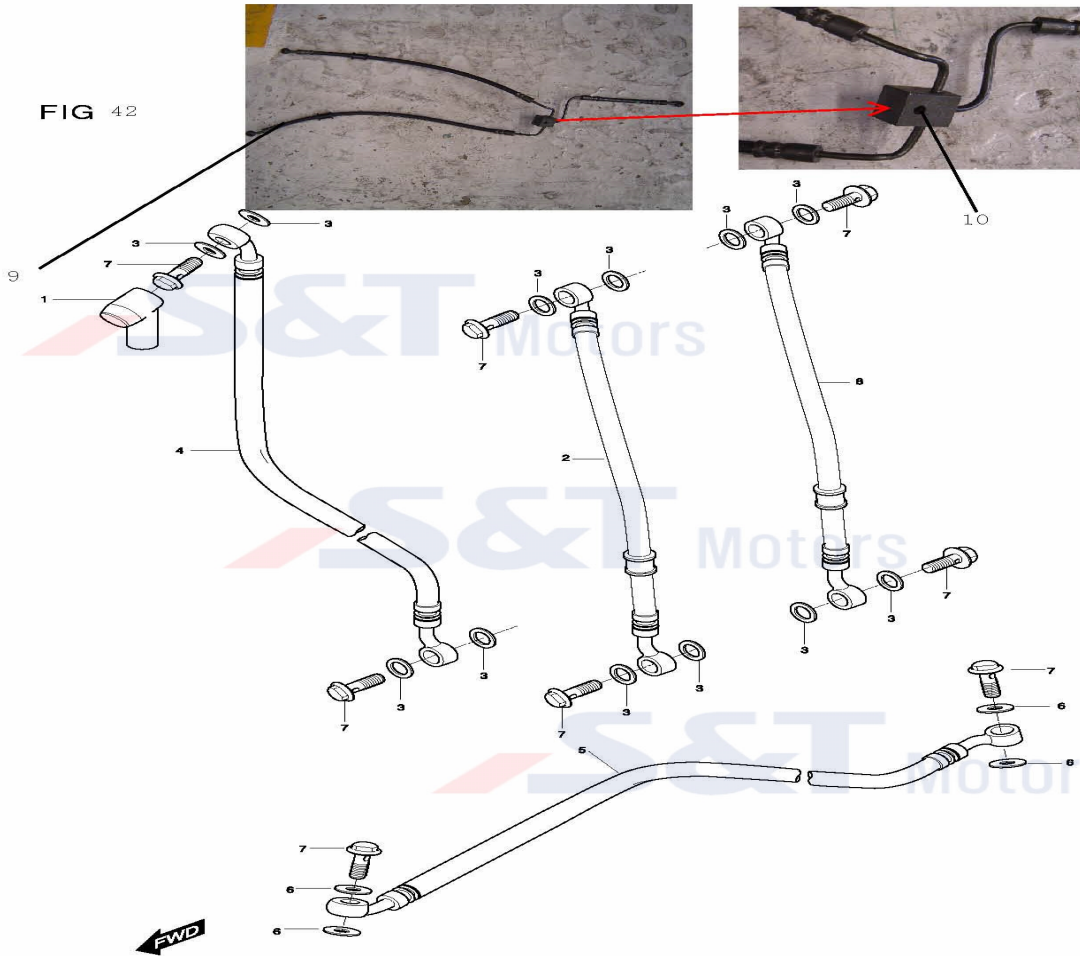
14-1	43721H9970003P	BKT,PILLION,F/REST L (GT650RN)	1 [2011/2/16]
15	43671HM8101	FOOTREST PILLION L (GT250)	1
16	07120-08258	BOLT,GRIP HANDLE (GT250RN)	4
17	43679HM8101	PIN,PILLION FOOTREST (GT250)	2
18	09448H08008	SPRING,PILLION FOOTREST(GT250)	2
19	08332-11048	E-RING FRONT FOOTREST (GA)	2
20	43631HM8101	PLATE,PILLION STOPPER NO1(GT25	2
21	43641HM8101	PLATE,PILLION STOPPER NO2(GT25	2
22	09320-14015	CUSHION,MUFFLER SUPPORT	1
23	09180-10044	SPACER,MUFFLER SUPPORT	1
24	25600HR830003P	LEVER GEAR SHIFT CAM (GT250R)	1
25	08331-31159	CIRCLIP,KICK IDLE	1
26	09160H15002	WASHER,BRAKE PEDAL (GT250)	1
27	43560HP9201	BKT,FT F/REST BACK STEP L(GT65	1
28	07120-08258	BOLT,GRIP HANDLE (GT250RN)	2

FIG 26



- 32 -

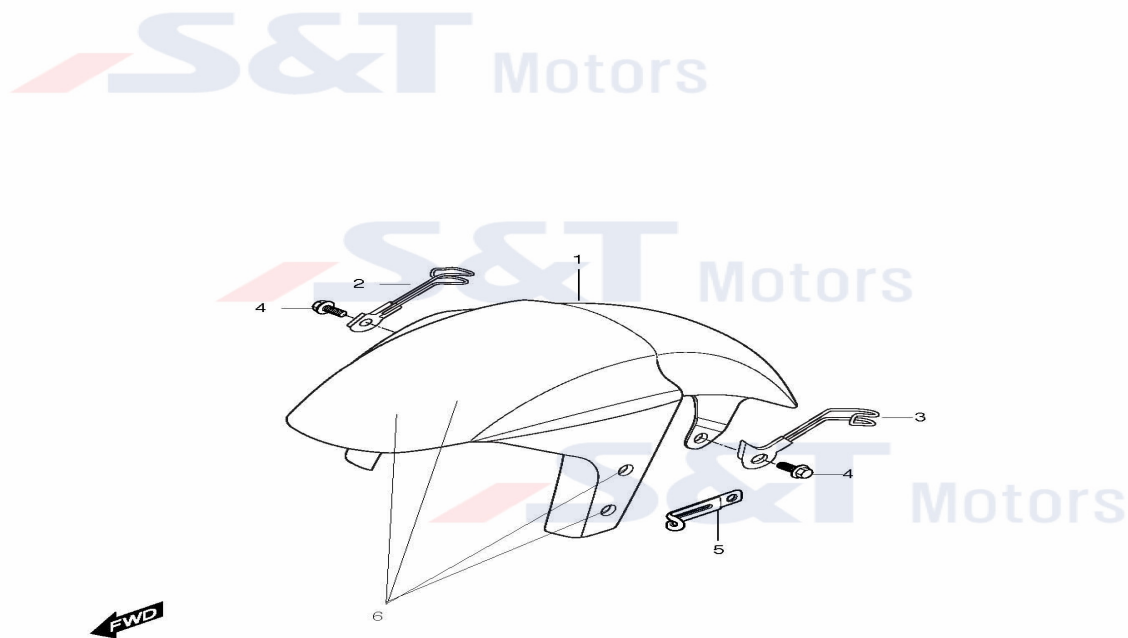
SEQ	PART CODE	PART NAME	U/S	REMARK
1	41100HR830003P	FRAME COMP (GT250R)	1	
1-1	41100HR8350PAM	FRAME COMP (GT250R)	1	
2	41150HR830003P	TUBE FRAME DOWN L 2 (GT250R)	1	
2-1	41150HR8300PAM	TUBE,FRAME DOWN L NO.2(GT250R)	1	
3	07110-08258	BOLT,FRAME JOINT	4	
4	08316-16088	NUT,CYLINDER HEAD	4	
5	41161HM8100	SPACER,FRAME & E/G FRONT L=59	2	
6	09103H10099	BOLT,FM & E/G FRONT L=229(GT25	1	
7	08319-31106	NUT,BRACKET & CLAMP	1	
8	09103H10022	BOLT,CENTER STAND (GT250RN)	1	
9	08319-31106	NUT,BRACKET & CLAMP	1	
10	41320HM8100	PLT COMP,CDI (GT250)	1	
11	01517-06206	BOLT,FUEL COCK	1	
12	09103H10153	BOLT E/G M.T.G REAR (GT250RN)	1	
13	41171HM8100	SPACER,FRAME & E/G RR L=26(GT2	1	



-48-

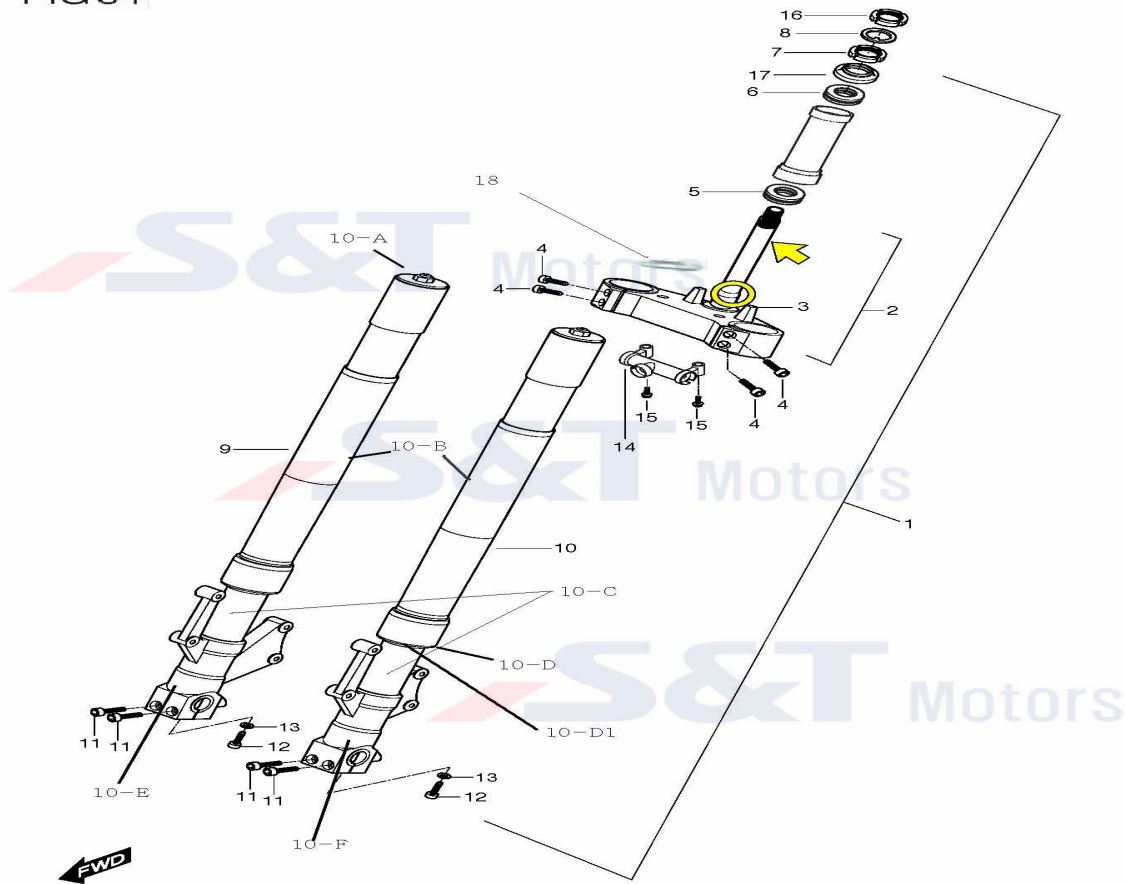
SEQ	PART CODE	PART NAME	U/S	REMARK
1	59711H49002	BOOT,MASTER CYLINDER (TN,GA,GD	1	
2	59460HN9100	HOSE COMP,FRONT BRAKE R(GT650)	1	
3	09161-10009	WASHER,BRAKE FLUID (FX)	12	
4	59450HP9202	HOSE COMP,FRONT BRAKE (GT650S	1	
5	69480HM8105	HOSE COMP,REAR BRAKE (GT650)	1	
6	09161-10009	WASHER,BRAKE FLUID (FX)	4	
7	09360-10039	BOLT BRAKE FLUID (AG)	8	
8	59470HN9100	HOSE COMP,FRONT BRAKE L(GT650)	1	
9	59480HP9401	HOSE COMP,FRONT BRAKE (GT650R)	1	=59480HP9400
10	01547-06303	BOLT,ENGINE SPROCKET COV (160)	1	

FIG 36



SEQ	PART CODE	PART NAME	U/S	REMARK
1	53111HM8101TBK	FENDER FRONT (GT250)	1	
1-1	53111HM8101TDR	FENDER FRONT (GT250)	1	
2	59430HN9100	CLAMP COMP,FRONT BRAKE HOSE R	1	
3	59440HN9100	CLAMP COMP,FT BK HOSE L(GT650)	1	cor. 59440HN9101
3-1	59440HN9101	CLAMP COMP,FT BK HOSE L(GT250)	1	
4	01517-08126	BOLT,WHEEL SET (TE50)	2	
5	09404-08403	CLAMP,WIRING HARNESS	1	
6	09169H06078	WASHER,FRONT FENDER (GT650)	4	

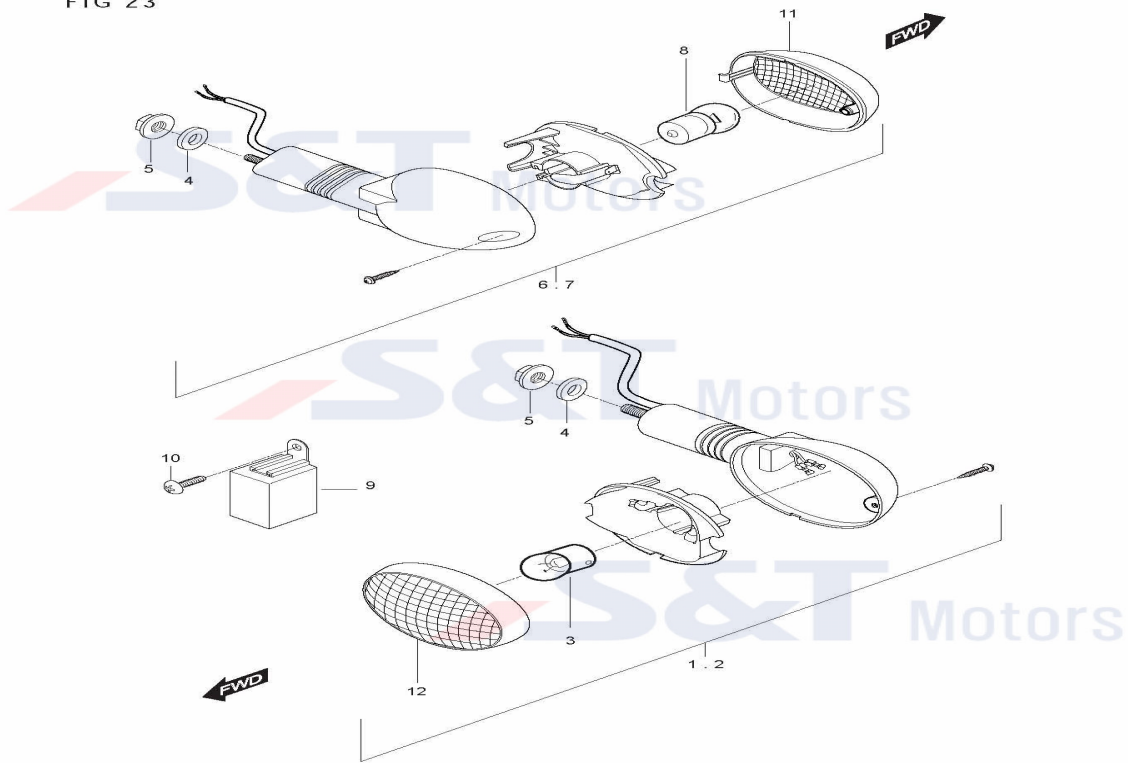
FIG 34



SEQ	PART CODE	PART NAME	U/S	REMARK
1	51100HR8300HPA	FRONT FORK ASS'Y (GT250R)	1	
2	51410HP9204HPA	BKT COMP,FT FORK UNDER (GT650S)	1	
3	51411HP9201	BRACKET COMP,UNDER (GT650S)	1	
3~0.	51411HP9204	BKT,FRONT FORK UNDER (GT250)	1	
3-0	51412SM8102	STEERING,STEM (GT250)	1	51412HM8102+51413HM100
3-1	51412HM8102	STEERING STEM (GT250)	1	
3-2	51413HM8100	STOPPER,FRONT FORK UNDER(GT250)	1	
4	07110-08258	BOLT,FRAME JOINT	4	
5	09265H25001	BEARING,STEERING UPPER (RX)	1	
6	09265H28001	BEARING,STEERING LOWER (RX)	1	
7	51631-28000	NUT,STEERING	1	
8	09166H25001	WASHER,STEERING STEM (GT650)	1	
9	51210HR8300	DAMPER,FRONT FORK R (GT250R)	1	
10	51220HR8300	DAMPER,FRONT FORK L (GT250R)	1	
10-1	52120HM8100	CAP,OUTER TUBE (GT250)	2	
10-2	52210-N9100	OUTER TUBE (GT650)	2	
10-3	52110-N9100	FORK,PIPE (GT650)	2	

10-4	51255HG5800	OIL SEAL,FT FORK (RX)	2
10-5	52620-G5800	DUST SEAL (RX125)	2
10-6	52280HM8101	BOTTOM BLOCK R□□□□(GT250	1
10-7	52270HM8101	BOTTOM BLOCK L□□□□(GT250	1
11	09106H08458	BOLT HANDLE HOLDER UPPER (MS2)	4
12	07110-08258	BOLT,FRAME JOINT	2
13	90544H93B00	WASHER,SOCKET (GAF	2
14	51511HN9101	JOINT,FRONT BRAKE HOSE (GT650S	1
15	01517-06308	BOLT,STEERING LOCK NO1	2
16	51631HN9101	NUT,STEERING STEM UPPER(GT250	1 2012.11.29~
17	51643HG5801	DUST SEAL,STEERING UPPER (RX)	1
18	09164H28001	WASHER,UNDER BRACKET (GT650RC)	1

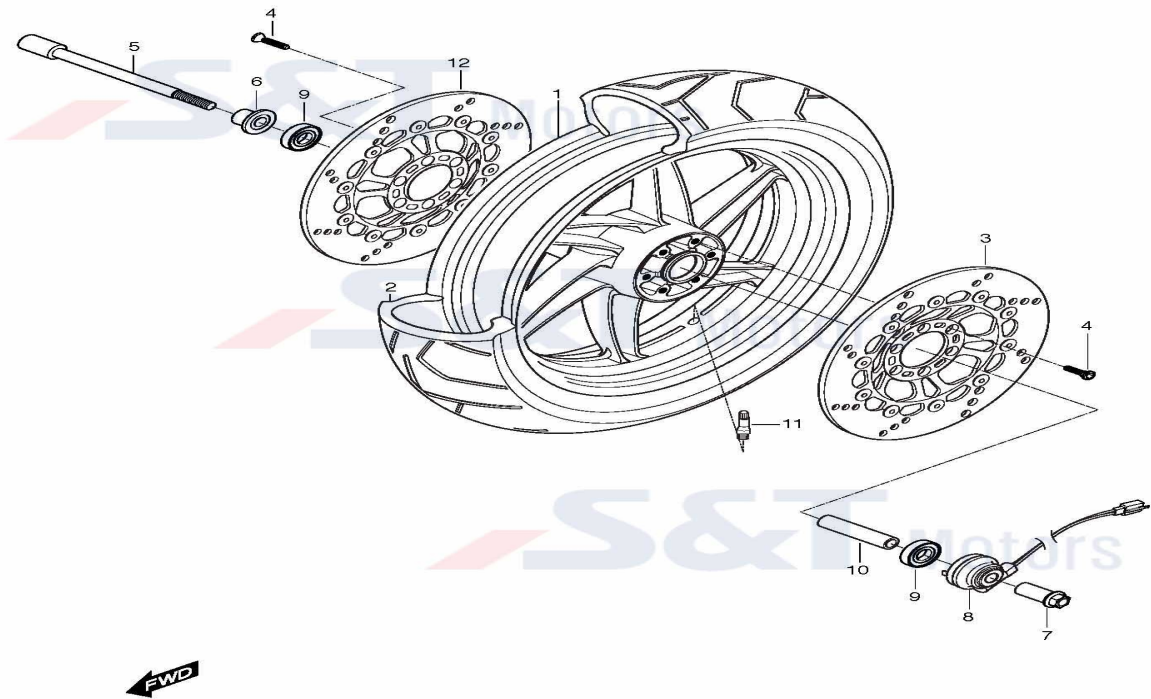
FIG 23



- 29 -

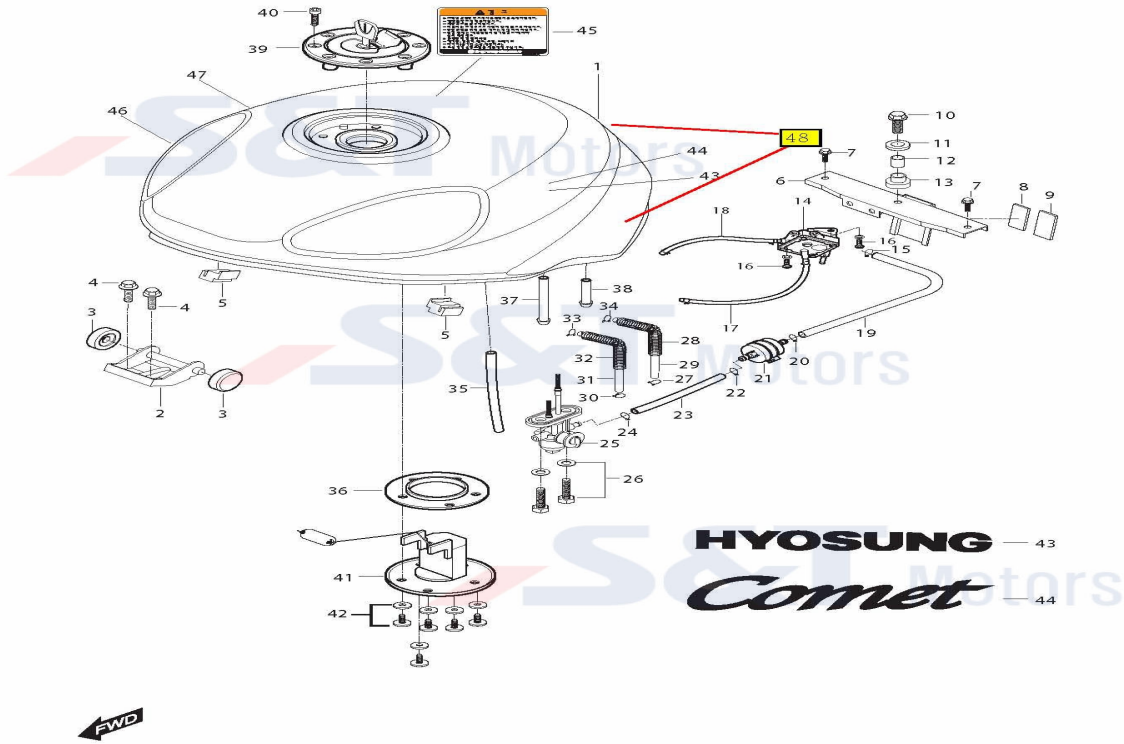
SEQ	PART CODE	PART NAME	U/S	REMARK
1	35601HR7900	LAMP ASSY,FT T/SIGNAL R(RX125)	1	
2	35602HR7900	LAMP ASSY,FT T/SIGNAL L(RX125)	1	
3	09471-12003	BULB (FR□)	2	
4	09160-06019	WASHER	4	
5	08316-26066	NUT,REAR COMBI LAMP	4	
6	35603HR8600	LAMP,REAR T/SIGNAL R (RX125D)	1	
7	35604HR8600	LAMP REAR T/SIGNAL LH (RX125D)	1	
8	09471-12003	BULB (FR□)	2	
9	38610HL7320	RELAY ASS'Y,HARZARD (GT125)	1	
10	01517-06206	BOLT,FUEL COCK	1	
11	35612HM8100	LENS,FRONT T/SIG R,RR L(GT250)	2	
12	35632HM8100	LENS FRONT T/SIG L & RR R(GT25)	2	

FIG 37



SEQ	PART CODE	PART NAME	U/S	REMARK
0	54140HM8100HPA	WHEEL,FRONT ASS'Y (GT250)	1	
0-1	54140SM8102120	WHEEL COMP,FRONT (GT250)	1	
1	54141HM8102	WHEEL,FRONT(J7*MT3.00) (GT125)	1	
1-1	54141HM8103120	WHEEL FRONT(J7*MT3.00) (GT250)	1	=54141HM8102120
2	55101HR8300	TIRE SET,FRONT 110/70-17 54H	1	
3	59211HM8101	DISK COMP,FRONT LH (GT250)	1	
4	59421-03A01	BOLT,FRONT BRAKE DISK (SBS)	12	
5	54711HG5101	AXLE,FRONT (GV)	1	
6	54740HM8101	SPACER COMP,FRONT AXLE R(GT250)	1	
7	54721HM8100	NUT,FRONT AXLE (GT250)	1	
7-1	54721HM8102	NUT,FRONT AXLE (GT250)	1	~00 =X=~02, ~02=>~01
8	34860HP9201	SENSOR,SPEEDOMETER (GT650R)	1	
9	08124-63027	BEARING FRONT HUB R/L (GV)	2	
10	54731HM8100	SPACER (GT250)	1	
11	55220-29C20	VALVE ASS'Y	1	
12	59221HM8161	DISK COMP,FRONT RH (GT250)	1	

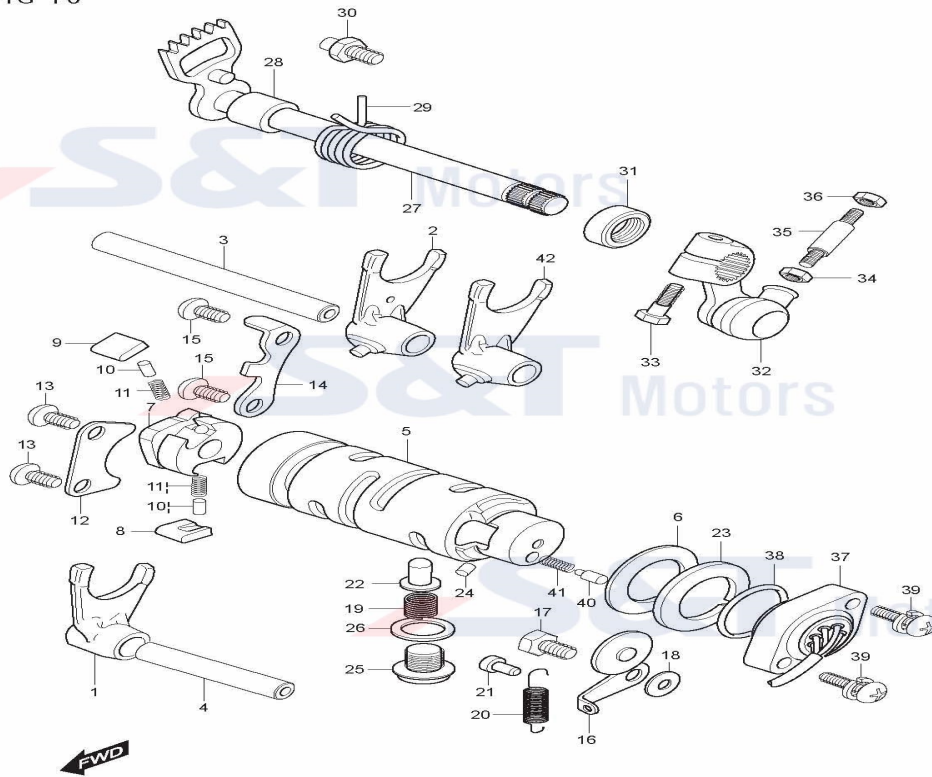
FIG 30



SEQ	PART CODE	PART NAME	U/S	REMARK
1	44110HN9200CBK	FUEL TANK COMP(S&T) (GT250R)	1	
1	44110HN9200CDR	FUEL TANK COMP(S&T) (GT650)	1	
1-1	44110HN9100CDS	FUEL TANK (GT650S)	1	TWO TONE -> 0NS Color
1-2	44110HN9110CDR	FUEL TANK COMP (GT650R)	1	TWO TONE -> 0NR Color
1-3	44110HN9110CLO	FUEL TANK COMP (GT650)	1	TWO TONE -> 0UO Color
2	44520HM8100	BRACKET COMP,FUEL TANK FT(GT25	2	
3	09329-10007	CUSHION	2	
4	01517-06206	BOLT,FUEL COCK	2	
5	09329H28001	CUSH,FUEL TANK SIDE (GT250)	2	
6	44530HM8100	BRACKET,FUEL TANK REAR (GT250	2	
7	01517-06206	BOLT,FUEL COCK	1	
8	44613HE7100	CUSHION,OIL TANK NO.2 (EZ)	1	
9	44218HF4500	CUSHION BATTERY REAR (GPS)	1	
10	09116H08078	BOLT FUEL TANK REAR (GA)	1	
11	09320-14013	CUSHION,TANK LOW	1	
12	09180H08007	SPACER FUEL TANK REAR (GA)	1	
13	09320H10020	CUSHION FUEL TANK RR LOW (GA)	1	
14	15100HG5100	PUMP ASSY,FUEL MODULE (GT125)	1	

15	09401H11401	CLIP,INLET HOSE	1
16	02112-06168	SCREW	2
17	44199HF1602	HOSE,INLET (SD)	1
18	15831HK2700	HOSE,FUEL NO2 (SF50B)	1
19	44199HM8100	HOSE,FUEL INLET NO.1 (GT250)	1 cor. 44199HM7900
19-1	44199HM7900	HOSE,STRAINER OUTLET(L=153)(GT)	1 [2010/6/8]
20	09401-10401	CLIP,FUEL HOSE	1
21	44910HG2600	STRAINER COMP,FUEL (SF)	1
22	09401-10401	CLIP,FUEL HOSE	1
23	44198HE6101	HOSE,VACUM L=400 (FX)	1
24	09401H11401	CLIP,INLET HOSE	1
25	44300HM8150	COCK ASS'Y,FUEL (GT250)	1
26	09168-06010	GASKET FUEL LEVEL GAUGE (GA)	2
27	09401-08401	CLIP,FUEL HOSE (GPS)	2
28	09440-10009	SPRING,OUTLET NO.1 HOSE (EZ)	1
32	09440-10009	SPRING,OUTLET NO.1 HOSE (EZ)	1
33	09401-10401	CLIP,FUEL HOSE	1
34	09401-10401	CLIP,FUEL HOSE	1
35	09352H70103650	HOSE,FUEL TANK (GV)	1
36	44118-01D30	PLATE FUEL TANK INLET (GD)	1
39	44200H35C30	CAP,FUEL TANK FILL (GT125)	1
40	09106-05017	BOLT F/TANK FILLER CAP (GT250R)	4
41	34810HM8102	GAUGE ASSY,FUEL SENDER (GT250)	1
42	01134-05106	BOLT,FUEL GAUGE	5
43	68120HN922003P	EMBLEM,FUEL TANK("S&T")	2
43-1	68120HN9220120	EMBLEM,FUEL TANK("S&T")	2
45	68319H05351PL	LABEL,CAUTION□□GT/GV/RT/RX	1
46	68320HM8150PL	LABEL CHAIN CASE□□ (GT250)	1
47	44216HM8100	CUSHION,F/TANK INNER BODY NO.3	1

FIG 16

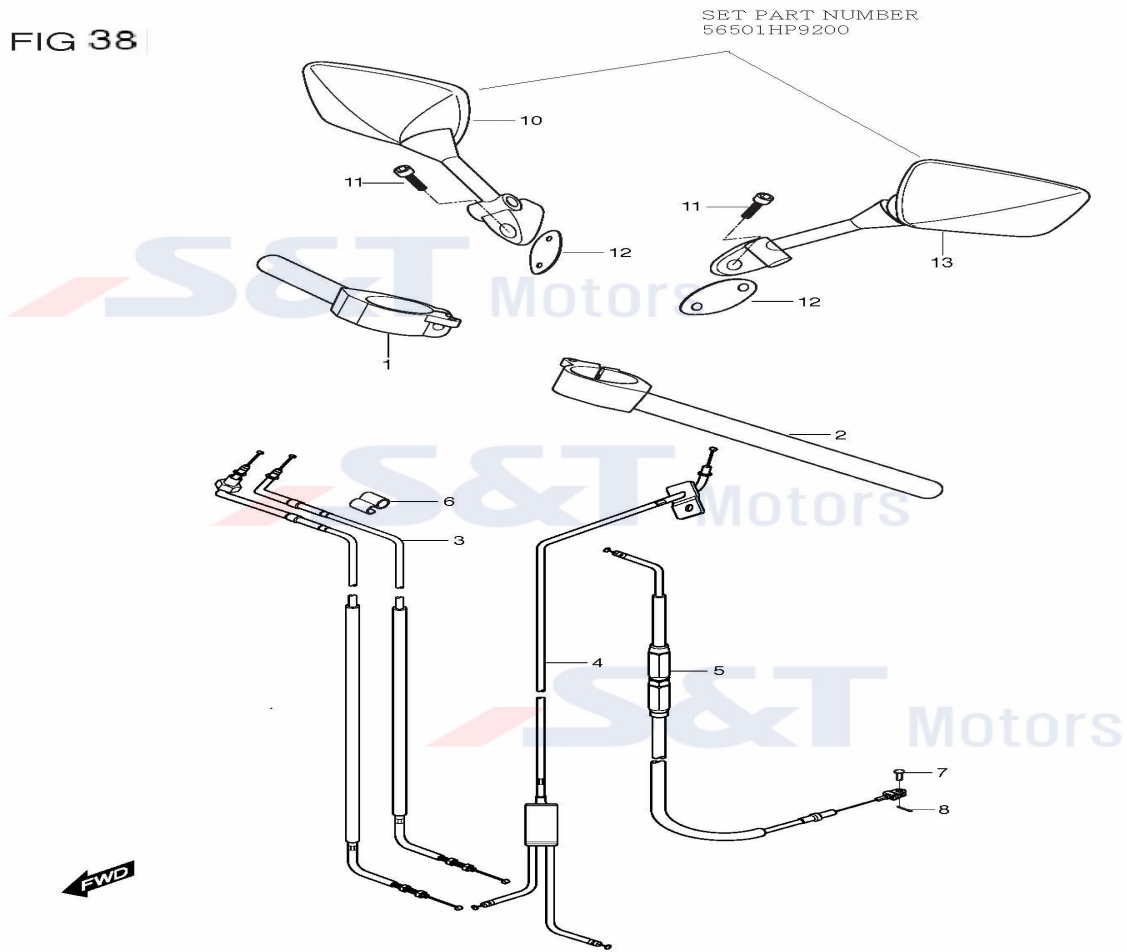


- 22 -

SEQ	PART CODE	PART NAME	U/S	REMARK
1	25211HJ8200	FORK,GEAR SHIFT NO1 (GV250)	1	
2	25231HJ8200	FORK,GEAR SHIFT NO3 (GV250)	1	
3	25411-05201	SHAFT GEAR SHIFT FORK NO1	1	
4	25421-35403	SHAFT SHIFT FORK (GV250N)	1	
5	25310HJ8200	CAM COMP,GEAR SHIFT (GV250)	1	
5-1	25310HJ8200HPA	CAM GEAR SHIFT ASS'Y (GV250)	1	
6	08211-25401	WASHER,GEAR SHIFT CAM	1	
7	25322-31301	GEAR,SHIFT CAM DRVN(TN,RG,GS)	1	
8	25323-34201	PAWL,GEAR SHIFT NO1(TN,RG,GS)	1	
9	25324-34201	PAWL,GEAR SHIFT NO2(TN,RG,GS)	1	
10	09261-05003	PIN,GEAR SHIFT	2	
11	09440-04003	SPRING,GEAR SHIFT PLATE	2	
12	25331-30000	LIFTER,GEAR SHIFT (TN,RG,GS)	1	
13	02122-06128	SCREW,OL GR SH	2	
14	25341HG5100	GUIDE,GEAR SHIFT CAM (GV)	1	
15	02122-06128	SCREW,OL GR SH	2	
16	25350HG5100	STOPPER,GEAR SHIFT CAM (GV)	1	
17	09111-06019	BOLT,GEAR SHIFT CAM STOP	1	

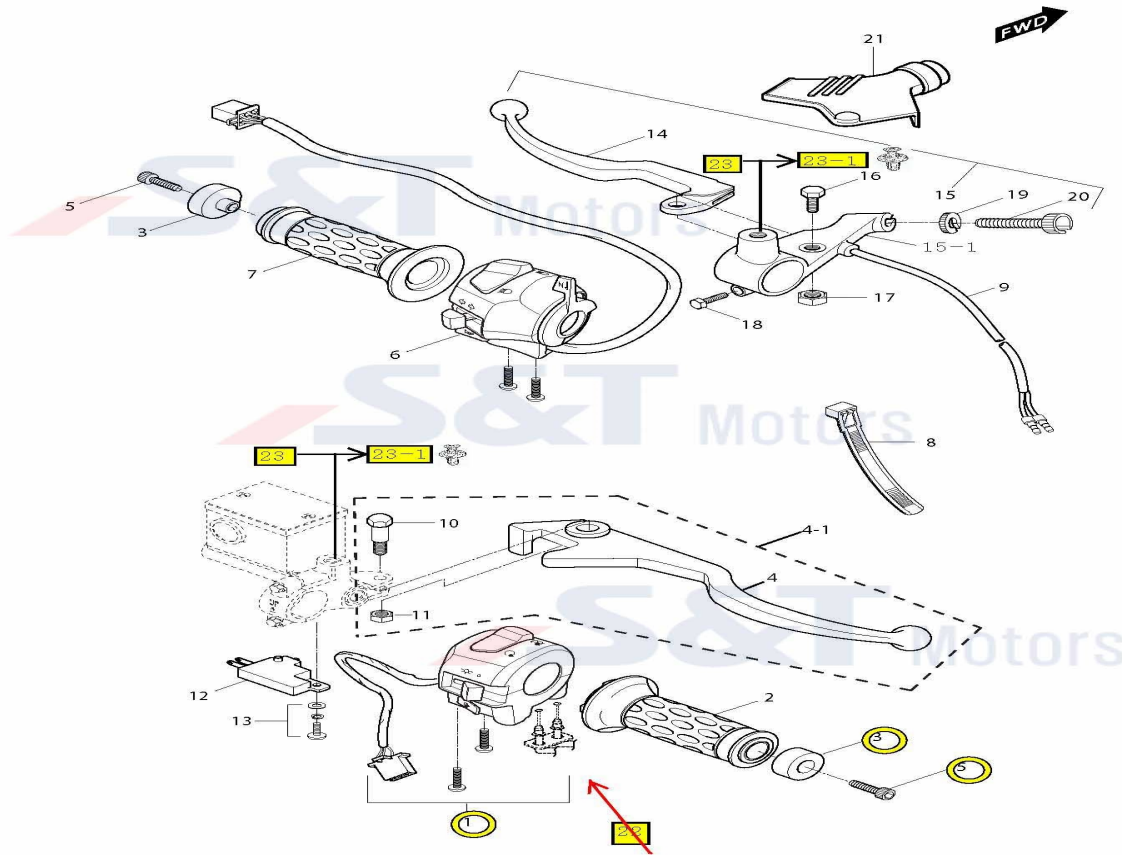
18	08211-06141	WASHER,GEAR SHIFT CAM	1
19	09440H11020	SPRING,GEAR SHIFT CAM STOPP(GV	1
20	09443H08044	SPRING,GEAR SHIFT CAM STOPPER	1
21	09223-04001	HOOK,GEAR SHIFT CAM	1
22	25351-30010	STOPPER,GEAR SHIFT CAM N.	1
23	25381-45400	PLATE,GEAR SHIFT CAM STOPPER	1
24	04221-04069	PIN,GEAR SHAFT CAM	1
25	09247-14026	PLUG,BOLT	1
26	09168H14003	GASKET,OIL CHECK PLUG (SB)	1
27	25510HG5101	SHAFT COMP,GEAR SHIFT (GV250)	1
28	09180-12068	SPACER,SHAFT GEAR SHTG	1
29	09444-26013	SPRING	1
30	25671-01000	STOPPER,GR SHIFT	1
31	09285-12002	OIL SEAL,GEAR SHIFT (GV250)	1
32	25520-32C00	ARM COMP,G/SHIFT LINK (GD)	1
33	01107-06208	BOLT,GEAR SHIFT	1
34	08310-11068	NUT	1
35	25525HR8320	ROD,GR SHIFT LINK(L=195)(GT250)	1
36	09140-06011	NUT,GR SHIFT LINK LH	1
37	37720HG5102	SWITCH ASS'Y,NEUTRAL (GV)	1
38	09280-26003	O/RING,GEAR SHIFT SWITCH	1
39	02112-95208	SCREW	2
40	09209-05011	CONTACT,GEAR S SWITCH	1
41	09440-04010	SPRING,GEAR SWITCH	1
42	25221HJ8200	FORK,GEAR SHIFT NO2 (GV250)	1

FIG 38



SEQ	PART CODE	PART NAME	U/S	REMARK
1	56110HP9203	HANDLE BAR COMP RH (GT650S)	1	
2	56120HP9204	HANDLE BAR COMP,L (GT650S)	1	
3	58300HR8300	CABEL,THROTTLE (GT250R)	1	
4	58410HR8300	CABLE STARTER (GT250R)	1	
5	58200HR8300	CABLE ASSY,CLUTCH (GT250R)	1	cor.; 58200H98600
5-1	58200H98600	CABLE ASS'Y,CLUTCH (GT250RN)	1	
6	09408H10002	CLIP,FRONT BRAKE HOSE&S/METER	1	
7	09200-06004	PIN,CLUTCH	1	
8	04111-20158	COTTER PIN	1	
10	56500HP9200	MIRROR REAR VIEW R (GT650S)	1	
11	07110-06208	BOLT,FRONT FENDER LH (GD,GA-F)	1	
11-1	07110-06205	BOLT,MIRROR ASS'Y (GV650)	1	
12	56503HP9200	CUSHION,REAR VIEW MIRROR(GT650)	1	
13	56600HP9200	MIRROR REAR VIEW L (GT650S)	1	
13-1	56501HP9200	MIRROR SET (GT650S,R)	1	

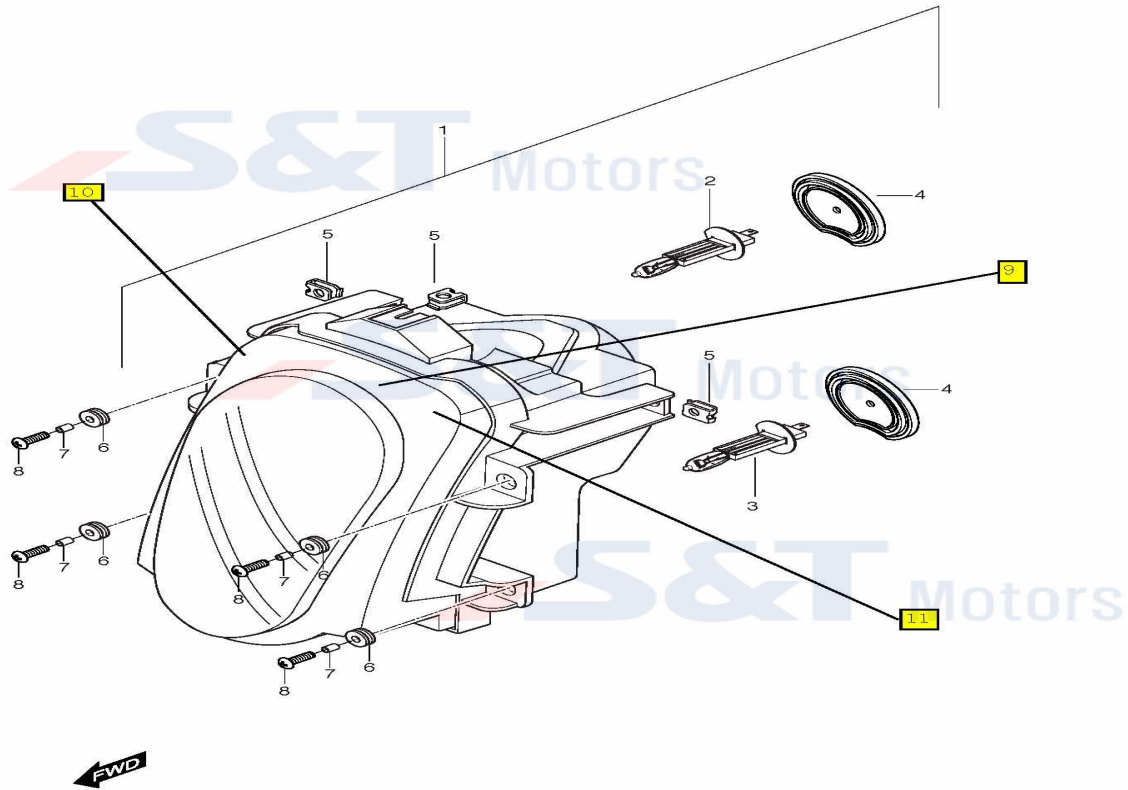
FIG 39



SEQ	PART CODE	PART NAME	U/S	REMARK
1	37200HR8300	SWITCH ASS'Y,HANDLE R (GT250R)	1	
2	57110HG5803	GRIP COMP,THROTTLE (RX)	1	
3	56271HF4501PLT	BALANCER HANDLE BAR (GPS)	2	
4	57421HN9100	LEVER,BRAKE (GT650)	1	cor. 57421-13001
4-2	57421-13001	LEVER BRAKE (GD)	1	[2010/6/8]
4-1	57300HN9103	LEVER ASSY,FRONT BRAKE (GT650)	1	
5	07110-08208	BOLT,ENGINE MOUNT FRONT (GA)	2	
6	37400HP9200	SWITCH ASS'Y,HANDLE L (GT650S)	1	
7	57211HG5800	GRIP, LH (RX)	1	
8	09407-14403	CLAMP,STRNINER(125MM) (EZ)	2	
9	57460HJ8250	SWITCH,ASS'Y,CLUTCH (GV250)	1	
10	57431H05D00	SCREW BRAKE LEVER PIVOT(GT250P)	1	
11	08319-21065	NUT,BRAKE LEVER	1	
12	57460-17C00	SWITCH ASS'Y STOP (AG,SB)	1	
13	02112-74108	SCREW	1	
14	57620HM8100	LEVER CLUTCH (GT250)	1	
14-1	57620HP9500	LEVER COMP,CLUTCH (GV650)	1	
15	57500HN9100	LEVER ASS'Y,CLUTCH (GT650)	1	

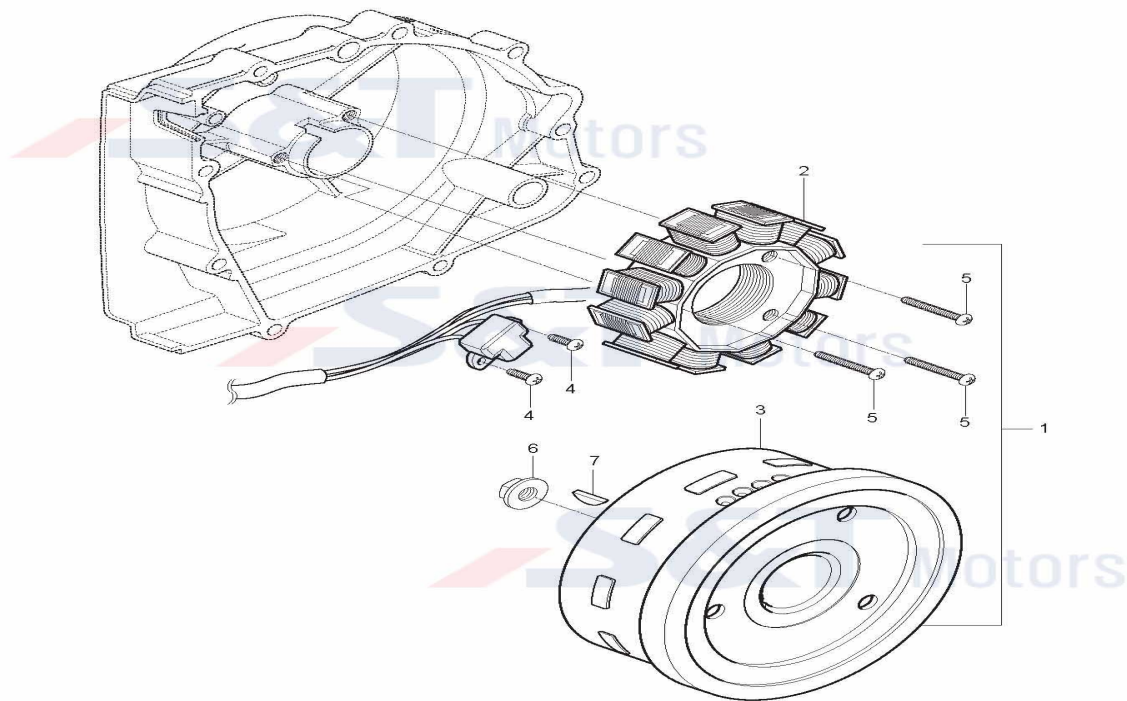
15-1	57500HN9101	LEVER ASS'Y,CLUTCH (GT650)	1
15-2	57500HN9102	LEVER ASS'Y,CLUTCH (GT650)	1
15-3	57511HM8100	CLUTCH LEVER HOLDER (GT250)	1
15-4	57511HN9100	HOLDER,LEVER (SILVER) (GV650)	1
15-5	57511HN9101	HOLDER,LEVER(BLACK) (GT650)	1
16	57431H93B00	BOLT,CLUTCH LEVER PIVOT (GA)	1
17	08319-21065	NUT,BRAKE LEVER	1
18	57451HG5800	BOLT,CLUTCH LEVER HOLDER(RX125)	1
19	57442H93B00	LOCK NUT	1
20	57441H93B00	WIRE ADJUSTER (GA)	1
21	57661HJ8200	COVER,CLUTCH LEVER (GV250)	1
22	37281HN3201	BOSS,SWITCH ASSY HANDLE R(SF- R)	1
23	56502HP9200	CAP,FT CYL&CLU HOLEDER(GT650R)	2 cor. 09407-08307
23-1	09407-08307	SCRIVET (GT650)	2
23~1	09407-08307	SCRIVET (GT650)	2

FIG.22



SEQ	PART CODE	PART NAME	U/S	REMARK
1	35100HP9251	HEAD LAMP ASS'Y (GT650R)	1	
2	09471H12250	BULB,HEAD LAMP(12V H1:55W)	1	
3	09471H12230	BULB,HEAD LAMP(12V H3:55W)	1	
4	35173HP9200	DUST COVER,HEAD LAMP (GT650)	2	
5	09148-05039	NUT HEADLAMP COWLING (GSX)	3	
6	09320-09016	CUSHION,TOOL HOLDER	4	
7	09180-06011	SPACER,BATT HOLE	4	
8	09136-06113	SCREW BODY COWL'G FIT'G (GD)	4	
9	35192HP9200	CUSHION,HEAD LAMP (GT650)	1	
10	35193HP9200	TAPE,CUSH HEAD LAMP R (GV650)	1	
11	35194HP9200	TAPE,CUSHION H/LAMP L (GT250R)	1	

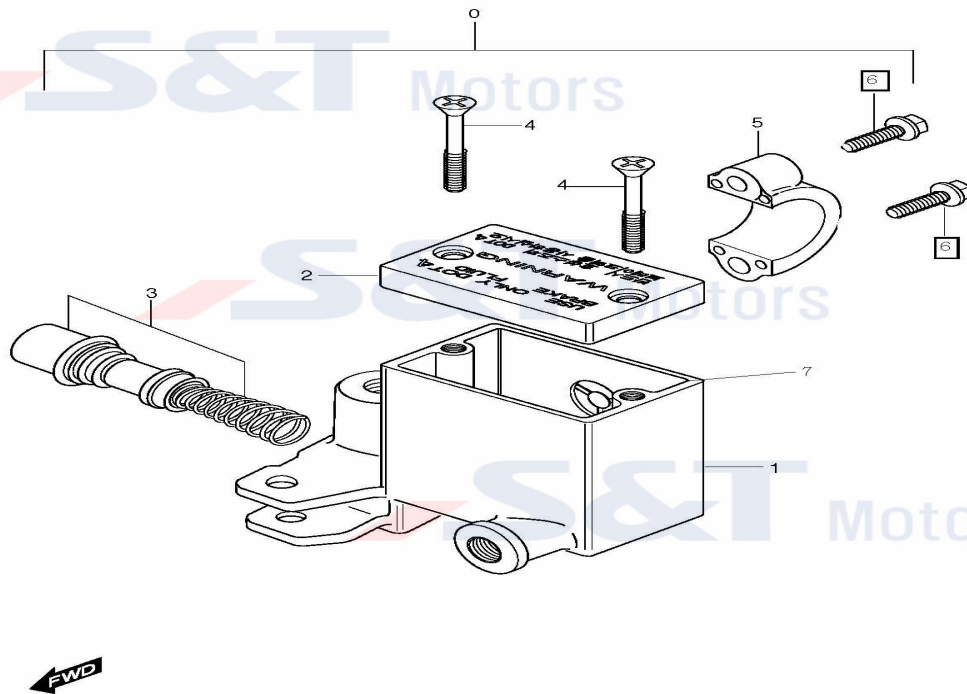
FIG 18



- 24 -

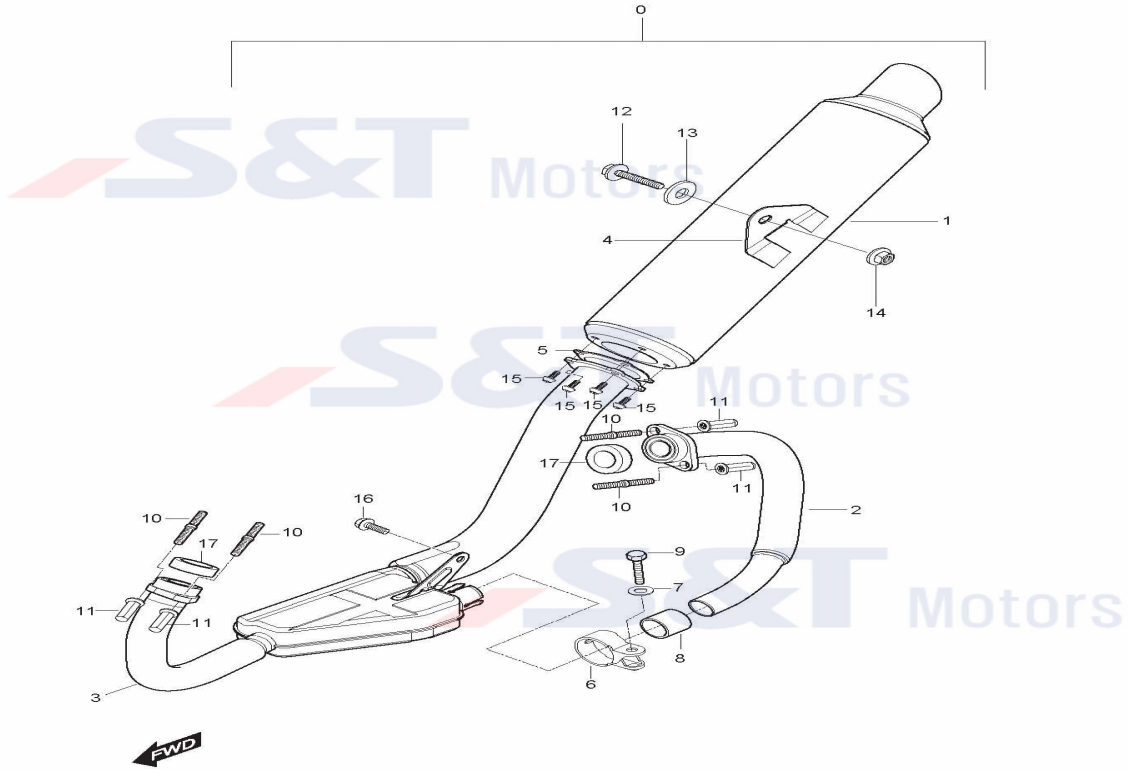
SEQ	PART CODE	PART NAME	U/S	REMARK
1	32100HJ8200	MAGNETO ASS'Y (GV250)	1	
2	32101HG5100	STATOR (GV)	1	
3	32102HJ8200	ROTOR COMP (GV250)	1	
4	02112-05128	SCREW,GEAR SHIFT SWITCH	2	
5	02112-05258	SCREW,ENGINE SPROCKET COVER	3	
6	08316-26128	NUT,MAGNET FLY	1	
7	08341-31049	KEY,PRIMARY DRIVEN GEAR	1	cor. 09420H04001
7-1	09420H04001	KEY,MAGNETO (GT650)	1	

FIG.41



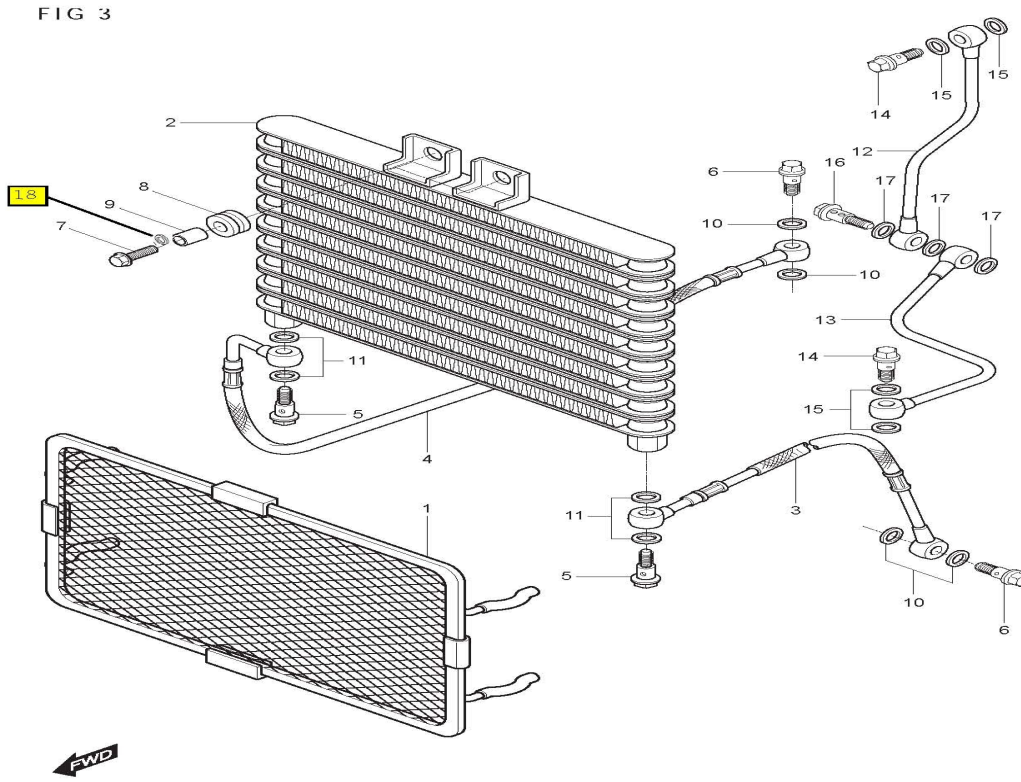
SEQ	PART CODE	PART NAME	U/S	REMARK
0-1	59600HP9203	CYLINDER,FRONT MASTER (GT650)	1	=59600HP9201
1	59687HM8162	NULL	1	
2	59669SN9110	CAP SET (GT,TE450)	1	59669HN9100 + 59511HP9200
2-1	59669HN9100	CAP,MASTER CYLINDER (GT650)	1	
2-2	59511HP9200	RESERVOIR CAP PLATE (GT250)	1	
3	59610SN9100SET	PISTON SET,MASTER CYL(GT650RN)	1	+ SPRING
4	59691-35C00	SCREW (GD)	2	
5	59671-35C00	HOLDER (GD)	1	
6	01107-35C00	BOLT (GD)	2	
7	59667HP9200	DIAPHRAGM (GT250R)	1	

FIG 12



- 16 -

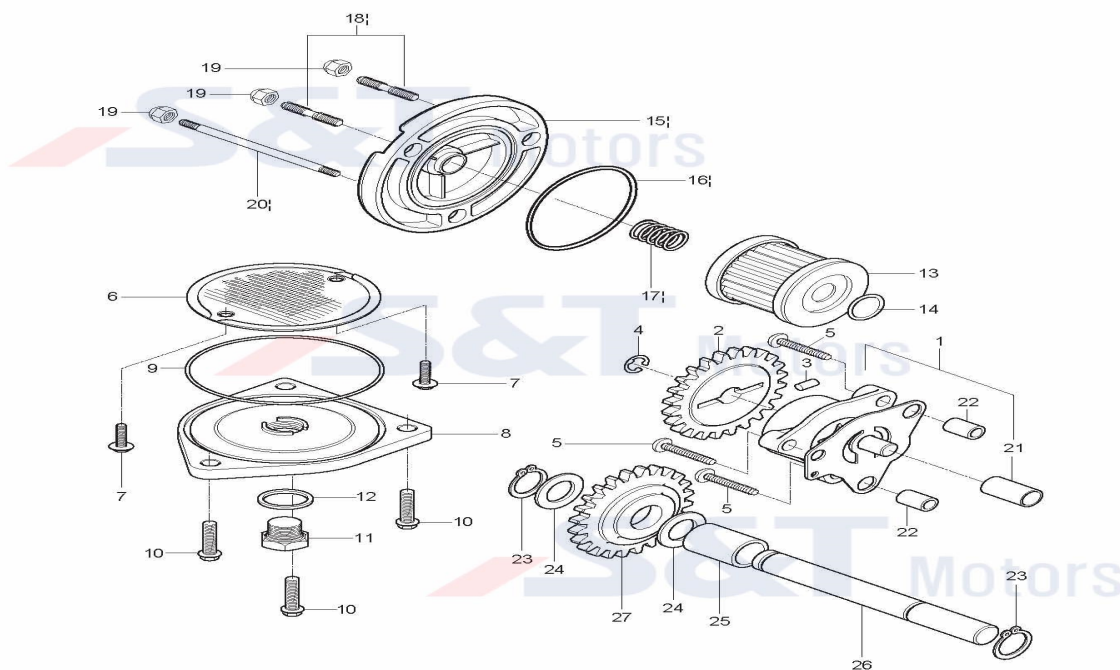
SEQ	PART CODE	PART NAME	U/S	REMARK
0	14305HM8105PAH	MUFFLER ASS'Y (GT250)	1	
1	14310HM8131PLT	BODY COMP,MUFFLER (GT250RC)	1	
2	14160HM8102PAM	PIPE COMP,EXHAUST REAR (GT250)	1	
3	14150HM8106PAM	PIPE,EXHAUST FRONT(S&T)(GT250N	1	~06PAM(S&T)=14150HM8103PAM(HY OSUNG)
4	14411HM8100	BRACKET,MUFFLER SUPPORT(GT250)	1	
5	14314HM8110	GASKET,CONNECTOR FLANGE(GT125)	1	
6	14770HG5101PAM	CONNECTOR EXHAUST PIPE (GV)	1	
7	09160-10001	WASHER,SORBER	1	
8	14773HG5100	GASKET,CONNECTOR (GV)	1	
9	01137-08358	BOLT,MUFFLER SUPPORT	1	
10	01421-08258	STUD BOLT,EXHAUST PIPE (FX)	4	
11	09143H08001	NUT,EXHAUST PIPE (GV)	4	
12	07110-10358	BOLT,MUFFLER SUPPORT	1	
13	09160-10102	WASHER,MUFFLER SPORT	1	
14	08316-26108	NUT,MAGNET FLY WHEEL (SD)	1	
15	09119H06002	BOLT (GV)	4	
16	01137-08168	BOLT,PROP STAND SPRING	1	



- 4 -

SEQ	PART CODE	PART NAME	U/S	REMARK
2	16600HJ8200121	COOLER ASS'Y OIL □□(GV250)	1	BLACK
3	16460HG5120	HOSE,OIL COOLER NO1 (GV125C)	1	
4	16470HJ8200	HOSE,OIL COOLER NO2 (GV250)	1	
5	09360H12007	BOLT UNION (GA)	2	
6	09360H10034	BOLT UNION (GF)	2	
7	09116-06143	BOLT OIL COOLER (GSX)	2	
7-1	01107-06256	BOLT,FUEL TANK (GT250RN)	2	
8	09320-10015	CUSHION OIL COOLER (GA)	2	
9	09180-06030	SPACER	2	
10	09161-10009	WASHER,BRAKE FLUID (FX)	4	
11	09168-14011	GASKET (GT250)	4	
12	11280HG5101	PIPE COMP,OIL FRONT (GV)	1	
13	11290HG5101	PIPE COMP,OIL GEAR (GV)	1	
14	09360H10034	BOLT UNION (GF)	2	
15	09161-10009	WASHER,BRAKE FLUID (FX)	4	
16	15331HG5101	UNION BOLT,OIL PIPE LOWER (GV)	1	
17	09161-10009	WASHER,BRAKE FLUID (FX)	3	
18	09160-06057	WASHER,HEADLAMP HOUSING&BKT(GV)	2	

FIG 13

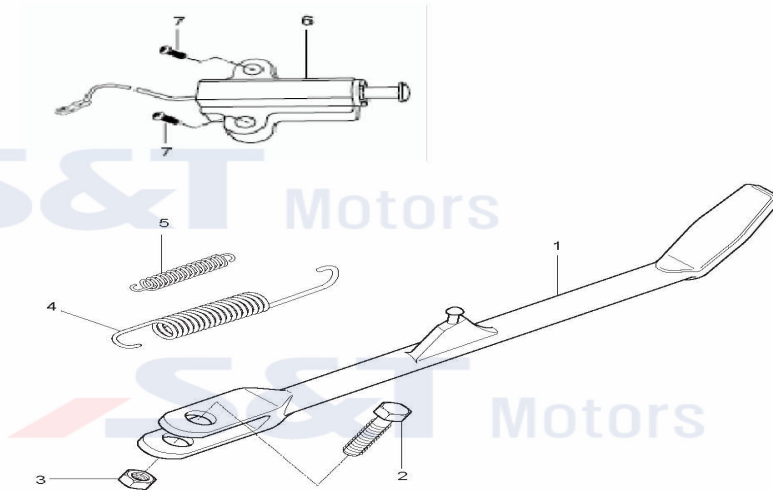


- 1 / -

SEQ	PART CODE	PART NAME	U/S	REMARK
1	16400HG5103	PUMP ASS'Y, OIL (GD250N)	1	
2	16331HG5102	GEAR,OIL PUMP DRVN (GV)	1	
3	09261-02001	PIN,OIL PUMP	1	
4	08332-11069	CIRCLIP,OIL PUMP DRIVE GEAR	1	
5	02112-06258	SCREW (GV650)	3	
6	16520-05202	STRAINER,ENG OIL	1	
7	02112-95126	SCREW,ENGINE OIL STATER	2	
8	16523-05200	CAP,OIL STRAINER	1	
9	09280-60005	O/RING,OIL STRAINER CAP	1	
10	01547-06208	BOLT,OIL STRAINER CAP	3	
11	09247-14002	PLUG,OIL DRAIN	1	
11-1	09247-14019	PLUG,OIL DRAIN (GT650)	1	
12	09168H14003	GASKET,OIL CHECK PLUG (SB)	1	
13	16510-05240HAS	FILTER,ENGINE OIL (TN,RG,GS)	1	
14	09280-13004	O/RING,OIL FILTER	1	
15	16512HG510003S	CAP,OIL FILTER (GT250)	1	
16	09280-54001	O/RING,OIL FILTER CAP	1	
17	09440-18002	SPRING,OIL FILTER CAP	1	

18	01421-06128	STUD BOLT,OIL FIL	2
19	08313-11068	NUT	3
20	01421-06658	BOLT (GV)	1
21	16419HG5100	BUSH,OIL PUMP (GV)	1
22	09206-08001	PIN,MAGNET COVER (GT&GV)	2
23	08331-31109	CIRCLIP (GV)	2
24	08211-10181	WASHER (GV)	2
25	09180H10022	SPACER,OIL PUMP IDLE GEAR (GV)	1
26	16451HG5101	SHAFT,OIL PUMP IDLE GEAR (GV)	1
27	16431HG5104	GEAR,OIL PUMP IDLE (GV)	1

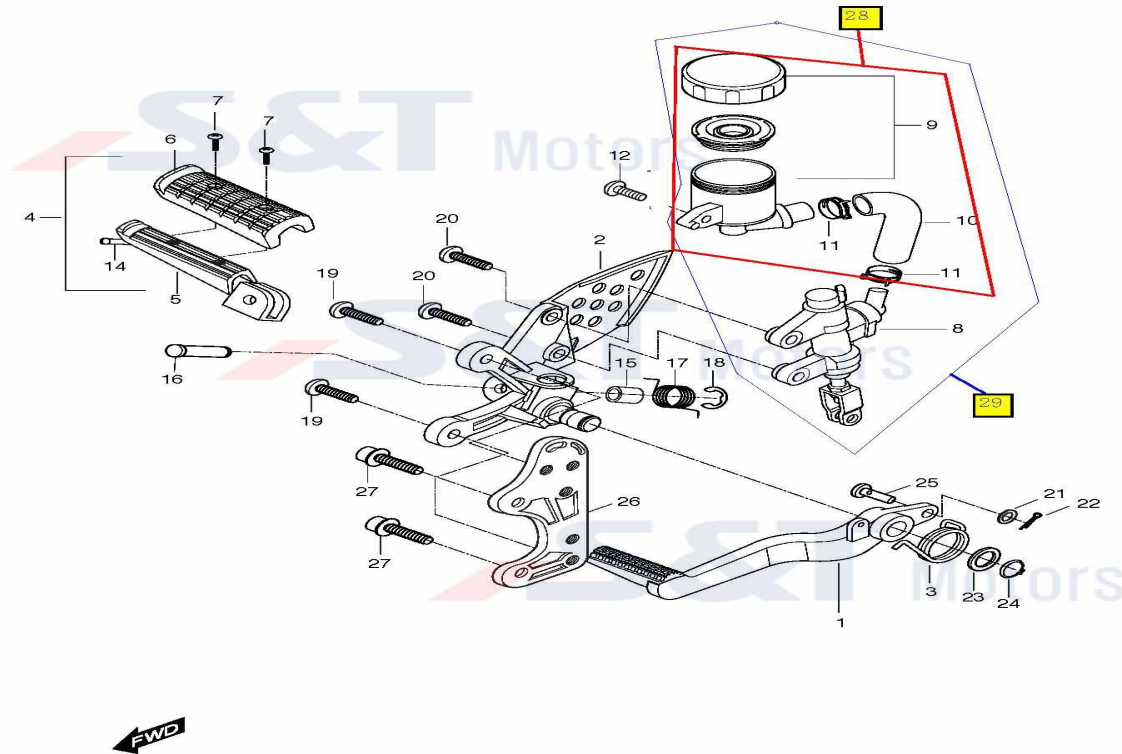
FIG 27



- 33 -

SEQ	PART CODE	PART NAME	U/S	REMARK
1	42310HN910003P	STAND COMP,PROP (GT650)	1	
1-1	42310HN9150120	STAND COMP,PROP (GT650R)	1	
2	09100-10031	BOLT,PROP STAND (GT250RN)	1	
3	08310-22106	NUT,PROP STAND (GV)	1	
4	09443-15047	SPRING,CENTER STAND	1	
5	09443-06001	SPRING,PROP STAND INN(SB-FN02)	1	
6	37840HM8100	SWITCH ASSY,SIDE STAND (GT250)	1	
7	01517-06205	BOLT,SPORT CARRIER (FX)	2	

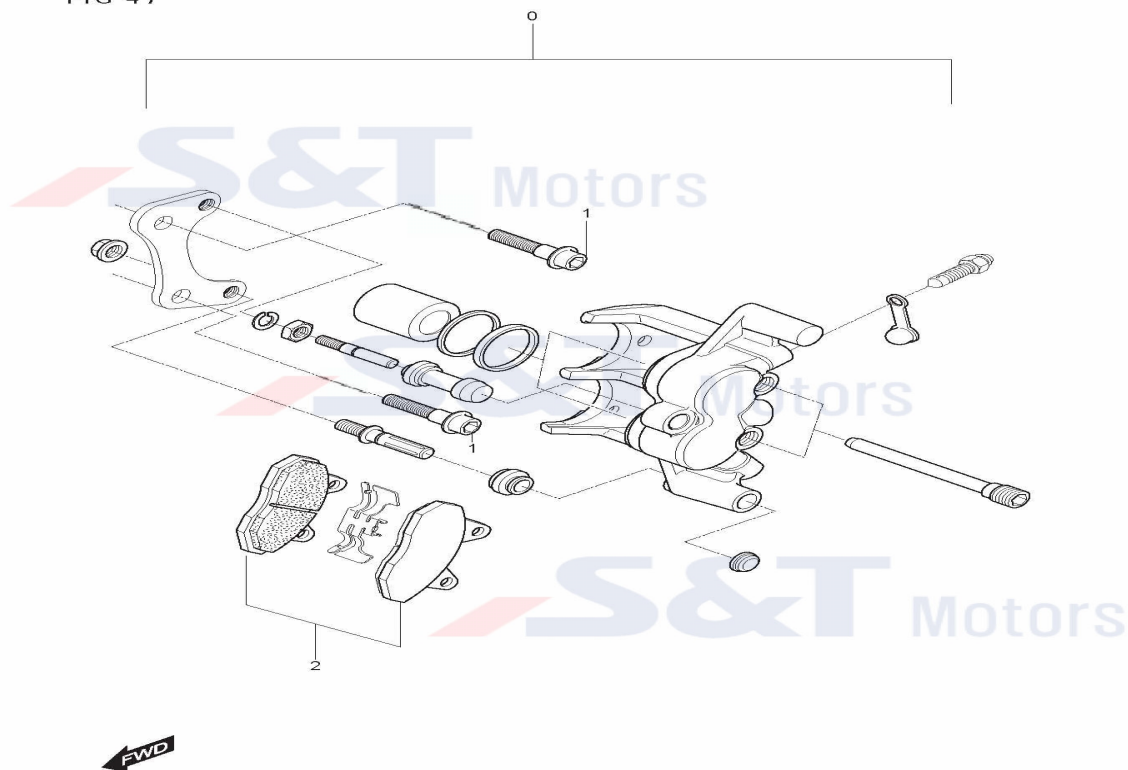
FIG 28



SEQ	PART CODE	PART NAME	U/S	REMARK
1	43110HM810003P	PEDAL COMP,BRAKE (GT250)	1	
2	43530H9970103P	BRACKET,FT FOOTREST (GT650RN)	1	
2-1	43530H9970103P	BRACKET,FT FOOTREST (GT650RN)	1	
3	09448H30004	SPRING,BRAKE PEDAL RETURN(GT25	1	
4	43561HC9701	FOOTREST,FRONT RH	1	=43561HC9700 / =43560HM8100
5	43561HM8100	FOOTREST BAR,FRONT R (GT250	1	
6	43530H30A40	RUBBER FRONT FOOTREST (X100)	1	cor. 43532H30A40
6-1	43532H30A40	RUBBER,FOOTREST	1	[2010/6/9]
7	02112-05126	SCREW,FRONT FOOTREST (GT250)	2	
8	69600HM8100	CYLINDER ASS'Y,REAR MASTER(GT2	1	
9	69740HM8100	TANK ASS'Y,RESERVER (GT250)	1	cor. 69800HN9100
9-1	69800HN9100	TANK SET,RESERVER (GT650)	1	
10	69700HM8101	HOSE ASS'Y,RESERVIOR TANK(GT2	1	cor. 69800HN9100
10-1	69800HN9100	TANK SET,RESERVER (GT650)	1	
11	09400H13001	CLAMP,RESERVER TANK HOSE(GT250	2	
12	01517-06168	BOLT,STEERING LOCK (SD)	1	
14	43533H30A40	BOLT,FRONT FOOTREST BAR (GT650	1	

15	09180H08008	SPACER FRONT FOOTREST	1
16	43579HM8101	PIN,FRONT FOOTREST (GT250)	1
17	09448H14007	SPRING FRONT FOOTREST	1
18	08332-11079	E-RING	1
19	07120-08208	BOLT,CALIPER (GT250RN)	2
20	07120-08258	BOLT,GRIP HANDLE (GT250RN)	2
21	08322-21068	WASHER HEAD LAMP AIMING	1
22	04111-20208	COTTER PIN	1
23	09160H15002	WASHER,BRAKE PEDAL (GT250)	1
24	08331-31159	CIRCLIP,KICK IDLE	1
25	09200H06040	PIN,REAR MASTER CYLINDER(GT250)	1
26	43550HP9201	BKT,FT F/REST BACK STEP R(GT65)	2
27	07120-08258	BOLT,GRIP HANDLE (GT250RN)	2
28	69800HN9100	TANK SET,RESERVER (GT650)	1
29	69609HN9100	CYLINDER SET,REAR MASTER(GT650)	1 cor. 69609HN9101
29-1	69609HN9101	CYLINDER SET,REAR MASTER(GT650)	1 GT650(KM4MP59F2A1500722~),GT250(KM4MJ55B5A1101288~),GT125(KM4M F55B6A1501250~)

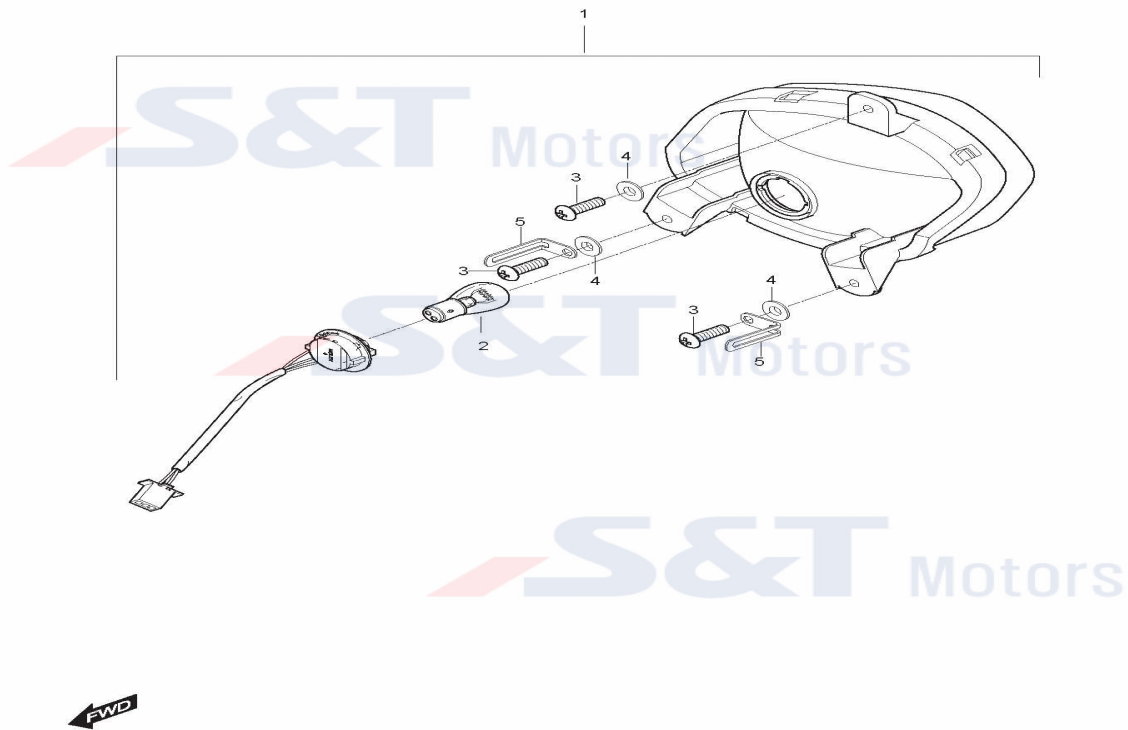
FIG 47



- 54 -

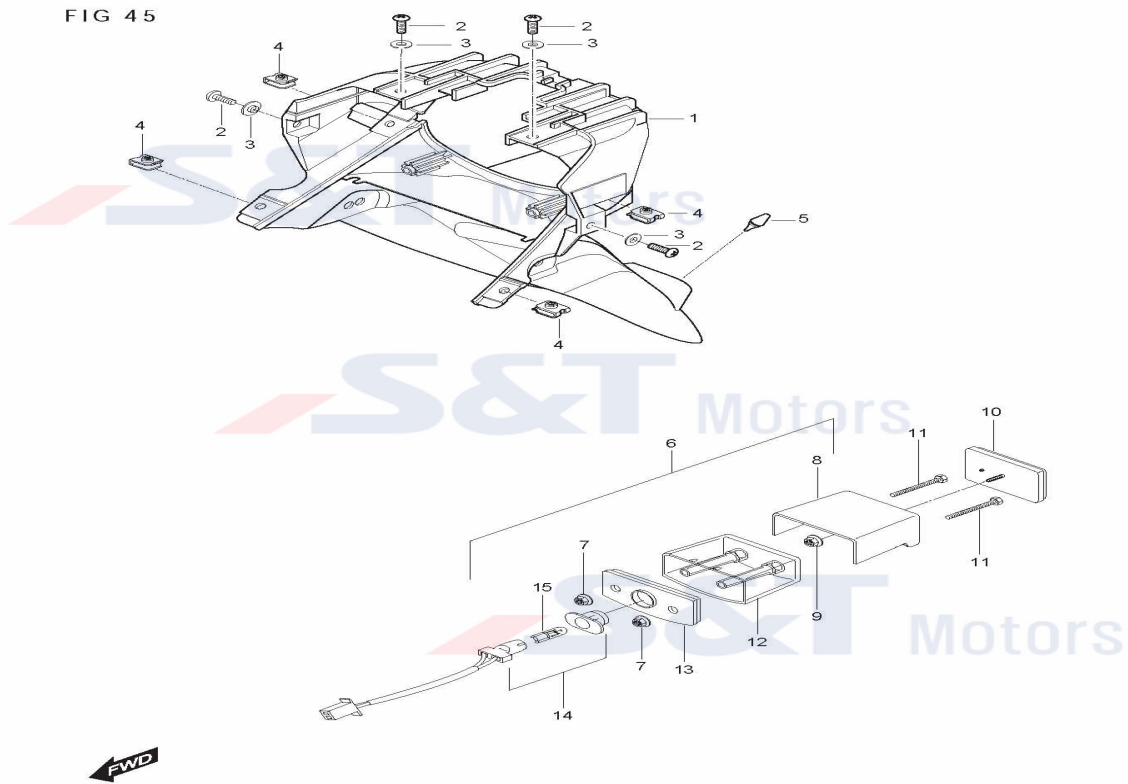
SEQ	PART CODE	PART NAME	U/S	REMARK
0-1	69300HN9102	CALIPER ASSY,REAR BRAKE(GT650	1	
1	09103H08254	BOLT,CALIPER (GV)	2	
2	59301HP9500	PAD SET(8.4T) (GV650)	1	
3	59303HG5100	PISTON SET,CALIPER (GV125,250)	1	

FIG 25



- 31 -

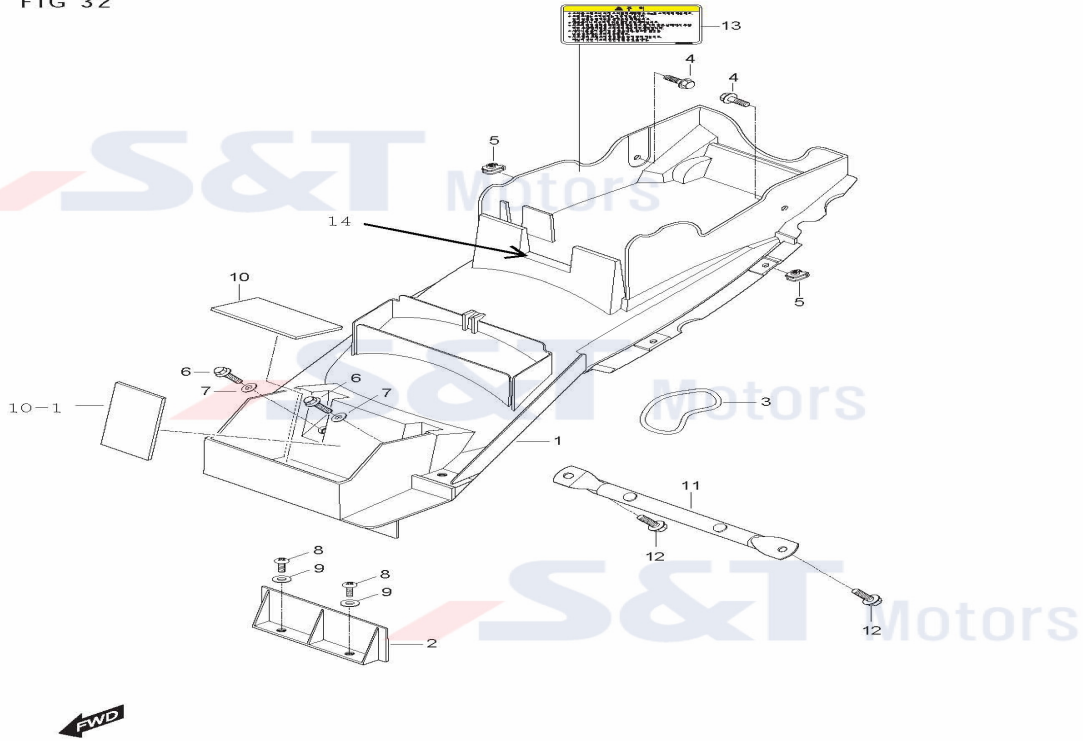
SEQ	PART CODE	PART NAME	U/S	REMARK
1	35710HM8152	LAMP ASS'Y, TAIL & STOP (GT250)	1	
2	09471-12047	BULB, TAIL & STOP (12V 21/5W) (FX-3)	1	
3	03241-05166	SCREW, SPEEDMETER	3	
4	09160-05017	WASHER, REAR FENDER	3	
5	09404-06401	CLAMP, OIL HOSE	2	



- 52 -

SEQ	PART CODE	PART NAME	U/S	REMARK
1	63111HM810112A	FENDER REAR (GT250)	1	
2	02142-06166	SCREW,BATTERY HOLDER (GV)	4	
3	09169-06032	WASHER,REAR FENDER (GD)	4	
4	09148-05039	NUT HEADLAMP COWLING (GSX)	4	
5	09321-06023	CUSHION,LICENSE PLATE	2	
6	35910HG5150	LAMP ASS'Y,LICENSE PLATE (GV)	1	
7	08316-26055	NUT,FRONT TURN SIGNAL LAMP	2	
8	35915HG5800	COVER,LICENSE LAMP (RX)	1	
9	08316-26055	NUT,FRONT TURN SIGNAL LAMP	1	
10	35970-17303	REFLEX,REFLECTOR ASS'Y,REAR(FX	1	
11	01107-05605	BOLT,LICENSE LAMP (GV650)	2	
12	35911HG5800	LENS,LICENSE (RX125	1	
13	35912HG5800	HOUSING,LICENSE (GT650)	1	
14	35916HG5800	CORD ASS'Y (GT125)	1	
15	09471-12210	BULB,POSITION LAMP(12V 5W)(GV2	1	
15-1	09471H12110	BULB,POSITION LAMP (12V 5W)	1 [2011/3/4]	

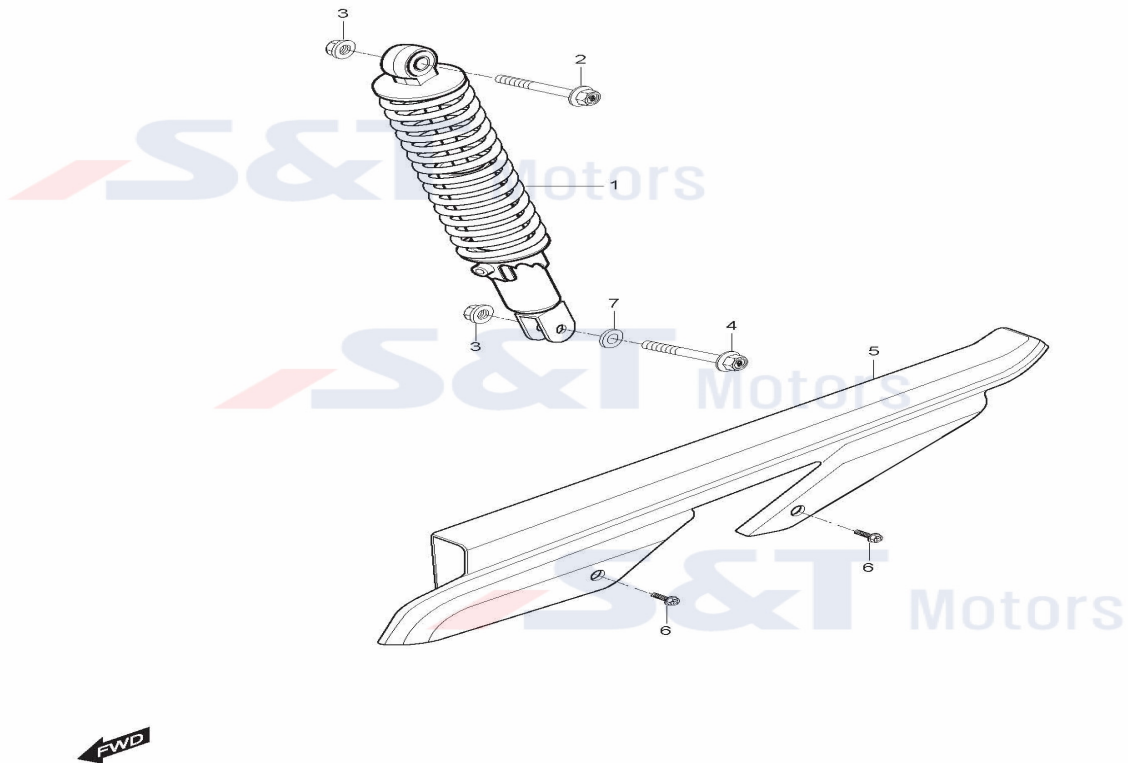
FIG 32



- 39 -

SEQ	PART CODE	PART NAME	U/S	REMARK
1	63112HM810512A	REAR FENDER FRONT (GT125)	1	
2	63113HM810112A	FENDER REAR LOWER (GT250)	1	
3	09280-63003	BAND TOOL	1	
4	09111H06066	BOLT CHAIN CASE (GD)	2	
5	09148-05039	NUT HEADLAMP COWLING (GSX)	2	
6	01517-06206	BOLT,FUEL COCK	2	
7	09169-06032	WASHER,REAR FENDER (GD)	2	
8	02142-06166	SCREW,BATTERY HOLDER (GV)	2	
9	09169-06032	WASHER,REAR FENDER (GD)	2	
10	41589HG5900	PROTECTOR,BATTERY COV (SD90)	1	
10-1	41589HR9700	CUSH,RR FENDER FT&BATTERY NO.2	1	
11	63120HM810003P	TUBE REAR FENDER FRONT FM SIDE	1	cor. 63120HN9150120
11-2	63120HN9150120	TUBE,RR FEN FT&FM SIDE(GT650R)	1	
11-1	63120HM810103P	TUBE REAR FENDER FRONT FM SIDE	1	
12	01517-08168	BOLT REAR AXLE BRI HOUSING	2	
13	68350HM8150PL	LABEL,CAUTION NO.1□□ (GT)	1	
14	02142-04088	SCREW,MOVABLE DRIVE FACE	2	

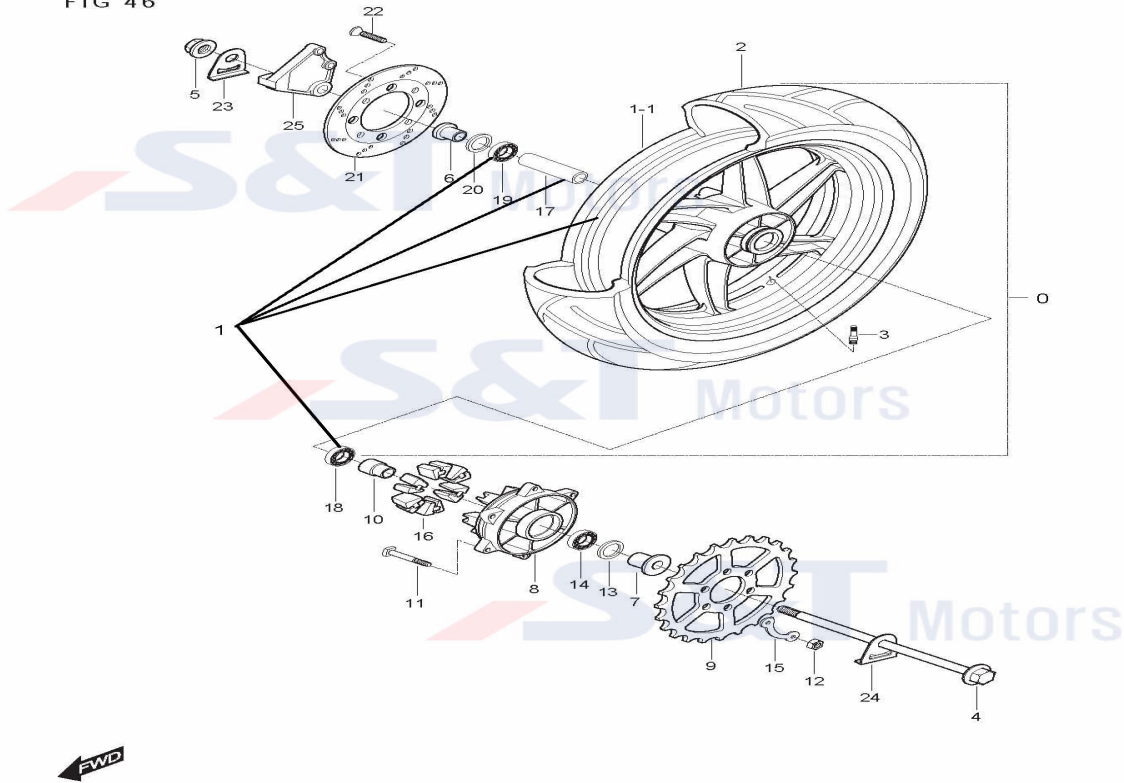
FIG 44



- 51 -

SEQ	PART CODE	PART NAME	U/S	REMARK
1	62100HR8301	REAR SHOCK ABSORBER (GT250R)	1	
1-1	62100HR8302	REAR SHOCK ABSORBER (GT250)	1	
1-2	62100H98600	REAR SHOCK ABSORBER (GT250RC)	1	
2	09103H10101	BOLT,HANDLE BAR SET (EZ)	1	
3	08319-31108	NUT,FRONT SORBER	2	
4	09103H10101	BOLT,HANDLE BAR SET (EZ)	1	
5	61310HM8102	CASE COMP,CHAIN (GT125)	1	
6	09111H06066	BOLT CHAIN CASE (GD)	2	
7	09160-10001	WASHER,SORBER	1	

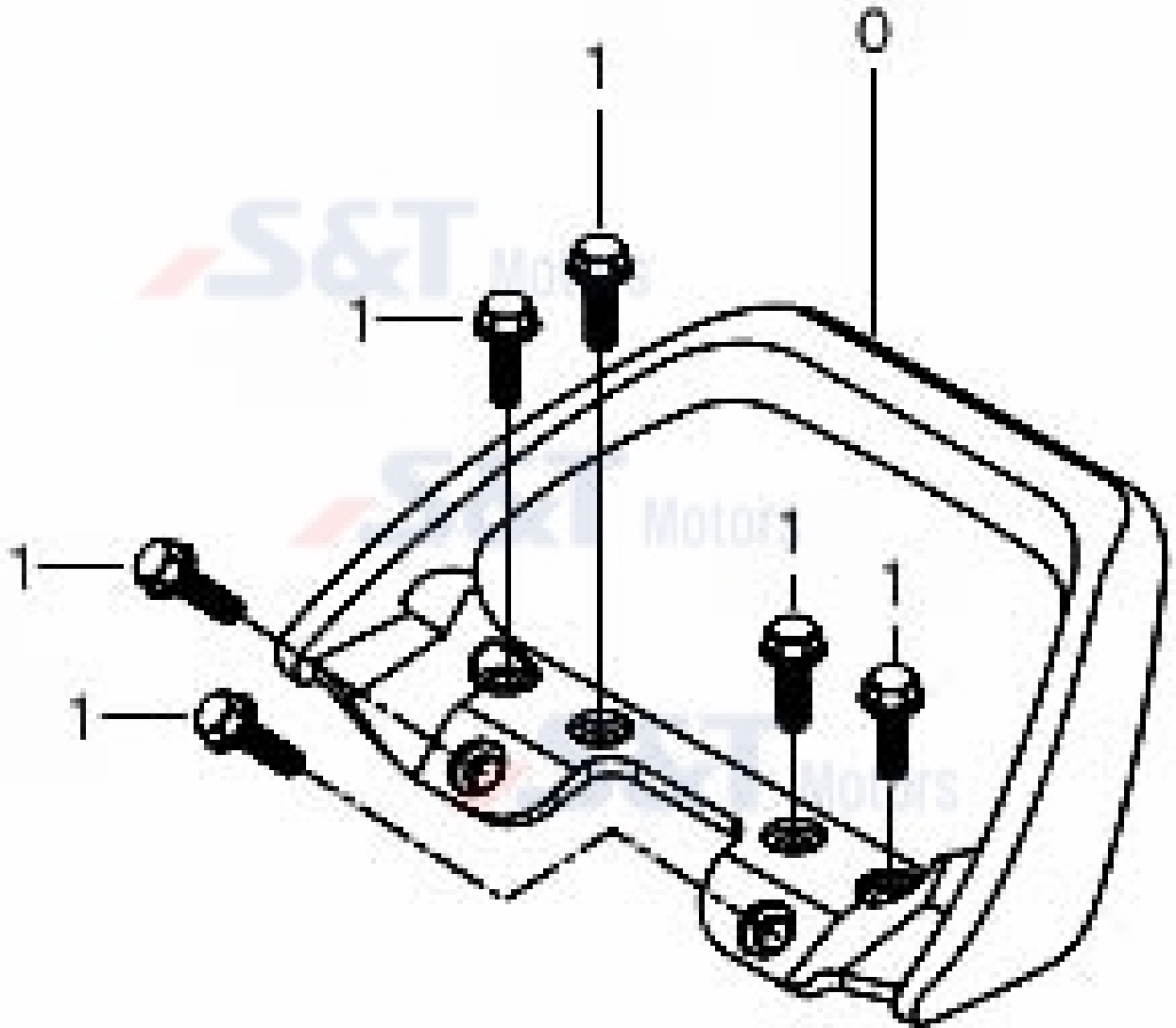
FIG 46



- 53 -

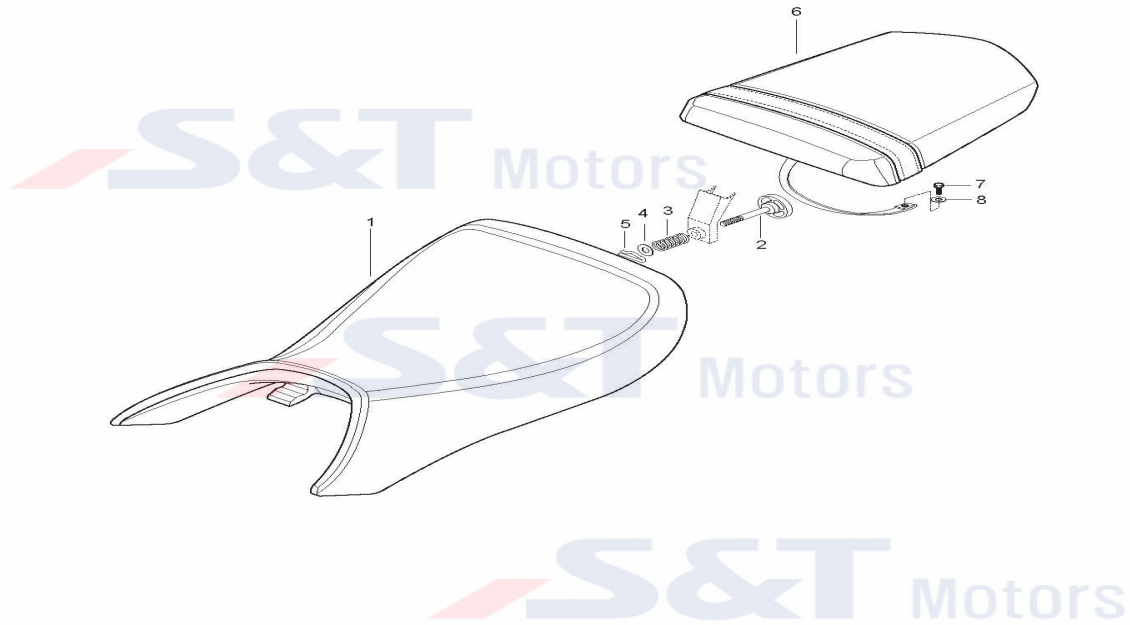
SEQ	PART CODE	PART NAME	U/S	REMARK
0	64150HM8102HPA	WHEEL COMP,REAR (GT250)	1	
0-0	64150SM8103120	WHEEL COMP,REAR (GT250)	1	
1	64150HM8103	WHEEL COMP,REAR(J17*MT3.00)(G	1	
2	65101HR8300	TIRE SET,REAR 150/70-17 69H	1	
3	55220-29C20	VALVE ASS'Y	1	
4	64711HM8103	AXLE,REAR (GT250)	1 =64711HM8102	
5	09159H16002	NUT,REAR AXLE (GT250)	1	
6	64741HM8100	SPACER,REAR AXLE R (GT250)	1	
7	64751HM8100	SPACER,REAR AXLE L (GT250)	1	
8	64611HM810203P	DRUM,REAR SPROCKET MOUNT'G(GT2	1	
8-1	64611HM8101121	DRUM REAR SPROCKET MOUNT'G(GT2	1	
9	64511HM8104	SPROCKET,REAR	1 BLACK COLOR	
10	64733HM8100	RETAINER,RR MOUNT'G DRUM(GT250	1	
11	01517-08358	BOLT,PILLION RIDER REAR (FXM)	6	
12	08319-31088	NUT,PILLION FOOTREST	6	
13	09285-28001	OIL SEAL REAR DRUM	1	
14	08133-62047	BEARING,REAR SPROCKET DRUM(GT)	1	

15	09169-10013	WASHER,REAR SPROCKET (GV250)	3
16	64651HM8101	HUB,S/ABSORBER (GT650)	6
17	64731HM8100	SPACER,REAR WHEEL BEARING(GT25)	1
18	08133-62037	BEARING,REAR HUB R/L (RT125)	1
19	08133-62037	BEARING,REAR HUB R/L (RT125)	1
20	09280-55001	OIL RING,REAR HUB L (GT250)	1
21	69211HM8103	DISK,REAR BRAKE (GT250)	1 =69211HM8102/MY 14 (November, 2013~)
22	59421-03A01	BOLT,FRONT BRAKE DISK (SBS)	6
23	64712HJ8200	WASHER,CHAIN ADJUSTER (GV250)	1
24	64712HJ8200	WASHER,CHAIN ADJUSTER (GV250)	1
25	69340HM810303P	CARRIER,CALIPER (GT250)	1
25~1	69340HM8170120	CARRIER,CALIPER (GT650R)	1



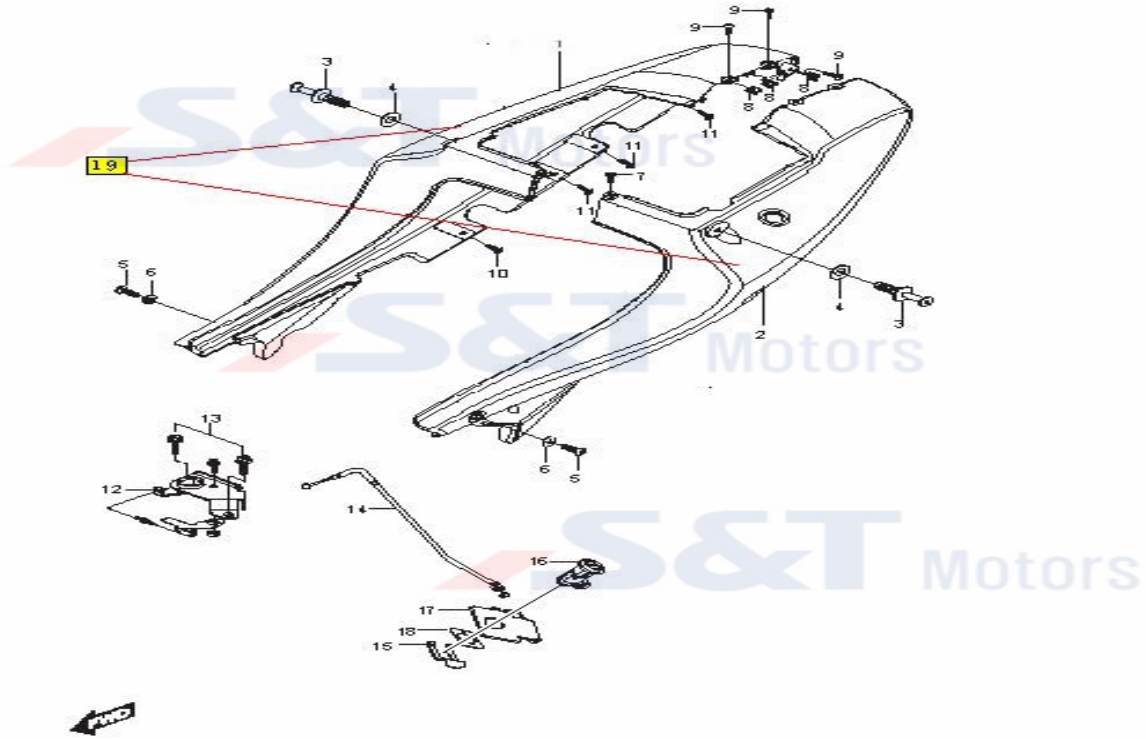
SEQ	PART CODE	PART NAME	U/S	REMARK
0	47510HP9202	RIDER,PILLION (GT650)	1	
1	07120-08208	BOLT,CALIPER (GT250RN)	6	

FIG 31



SEQ	PART CODE	PART NAME	U/S	REMARK
1	45110HM8101HAS	SEAT SET,FRONT (GT250)	1	
2	45120HM8101	KNOB COMP,SEAT FRONT (GT250)	1	
3	09440-11016	SPRING GEAR SHIFT CAM STOP	1	
4	08322-11088	WASHER	1	
5	04111-20208	COTTER PIN	1	
6	45200HP9200	SEAT SET,REAR (GT650S)	1	
7	01517-06206	BOLT,FUEL COCK	1	
8	09160-06057	WASHER,HEADLAMP HOUSING&BKT(GV	1	

FIG 33

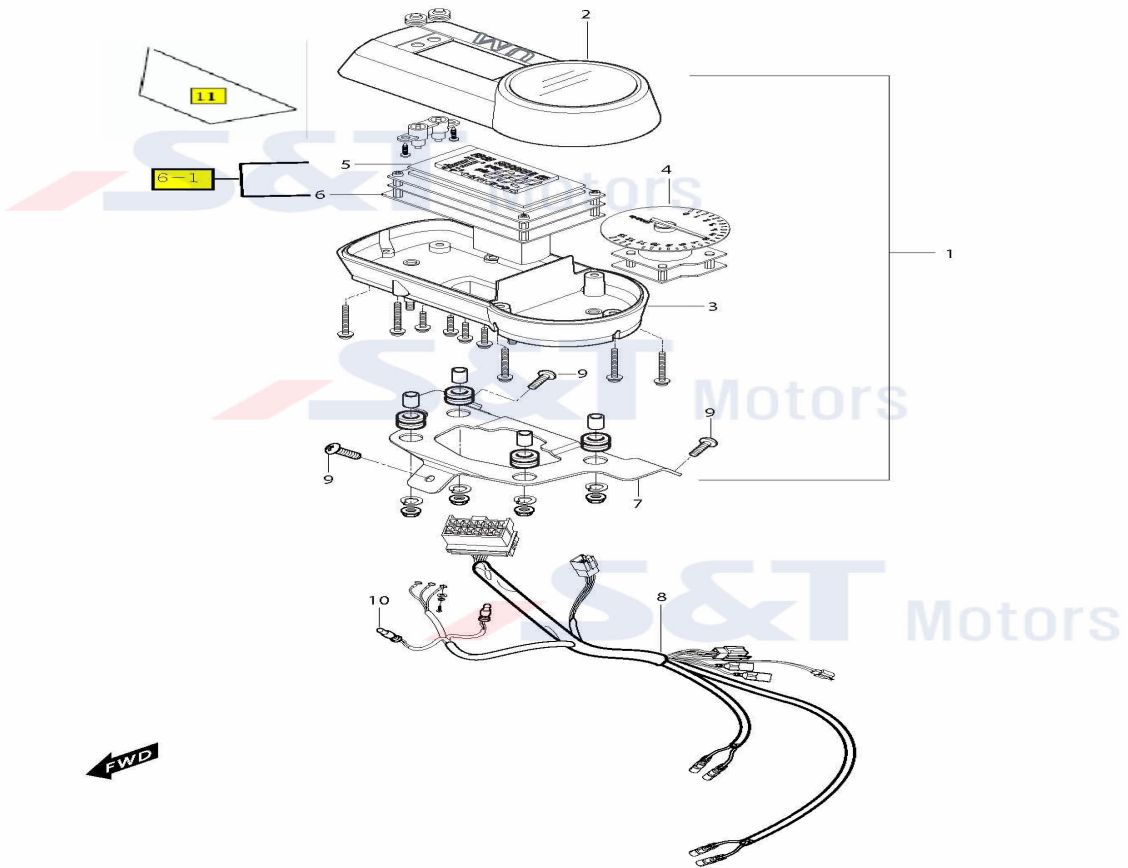


- 40 -

SEQ	PART CODE	PART NAME	U/S	REMARK
1	47111HM8104TBK	COVER,SIDE R (GT650R	1	
1	47111HM8104CDR	COVER,SIDE R (GT650S	1	
2	47211HM8105TBK	COVER,SIDE L (GT650)	1	
2	47211HM8105TDR	COVER,SIDE L (GT650S)	1	
3	47113HM8101	BOLT,LUGGAGE SUPPORT (GT250)	2	
3-1	47115HN9100	CAP,LUGGAGE SUPPORT BOLT(GT650	2	
4	08322-11088	WASHER	2	
5	09106H06150	WRENCH BOLT 6*15MM (GT650)	2	
6	09169H06078	WASHER,FRONT FENDER (GT650)	2	
7	09106H06150	WRENCH BOLT 6*15MM (GT650)	1	
8	09148-05004	NUT	3	
9	09106H05150	WRENCH BOLT 5*15MM	3	
10	09106H06150	WRENCH BOLT 6*15MM (GT650)	2	
11	09106H05150	WRENCH BOLT 5*15MM	6	
12	45220HM8101	LOCK ASS'Y,SEAT STRIKER RR(GT2	1	
13	02122-06308	SCREW,SEAT STRIKER (GF)	2	
14	45280-35C00	CABLE COMP SEAT LOCK (GD)	1	
15	92414HF4500	LOCK,KEY SET (GPS)	1	

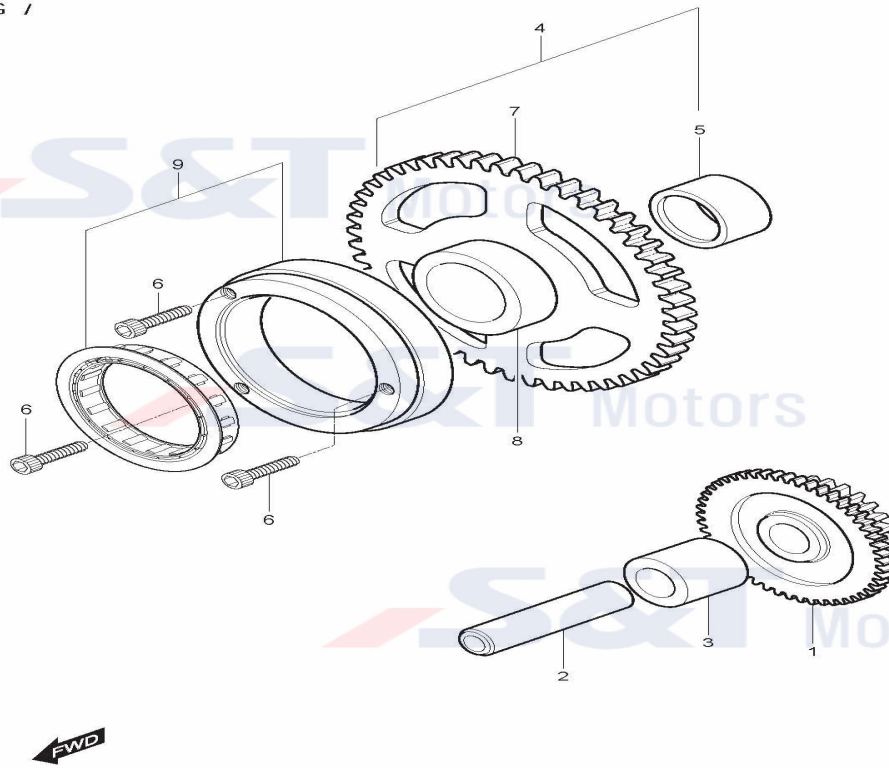
16	45700HG2630	LOCK ASS'Y,SEAT (SF50)	1
17	45381HG2601	GUIDE,SEAT LOCK (SF50)	1
18	92413HF4501	WASHER,COV HELMET BOX INN(GPS)	1

FIG 21



SEQ	PART CODE	PART NAME	U/S	REMARK
1	34100HS8600	SPEEDOMETER (GT250RAT)	1	
2	34150HP9200	WINDOWS, CASE (GT650)	1	
3	34160HP9200	CASE SUB,HOUSING (GT650)	1	
4	34121HR8300	TACHOMETER,MOVEMENT (GT250R)	1	cor..34100HR8300HAS
4-1	34100HR8300HAS	SPEEDOMETER SET (GT125R)	1	[2011/7/27]
5	34500HR8300	DISPLAY,SPEEDMETER (GT250R)	1	
6	34600HR8300	PCB,SPEEDMETER (GT250R)	1	
6-1	34111HR8301	SPEEDOMETER COMP (GT250R)	1	
7	34950HP9200	BRACKET, SPEED METER (GT650)	1	
8	34170HP9201	WIRING ASS'Y,SPEEDOMETER(GT650)	1	
9	01517-06208	BOLT,CYLINDER HEAD	3	
10	09471-12072	BULB,(W2*4,6D*T6.5) (GT250)	2	
11	94647HP9200	CUSH,EXCLUDE LIGHT (GT650R)	1	

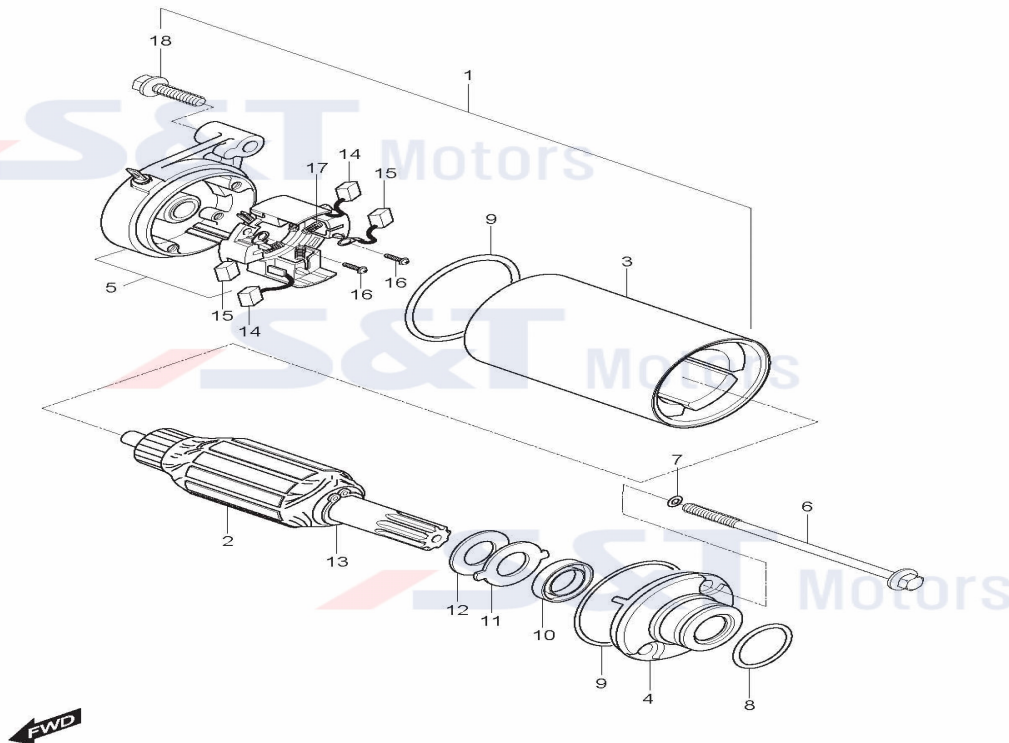
FIG 7



- 8 -

SEQ	PART CODE	PART NAME	U/S	REMARK
1	12611HJ8200	GEAR,STARTER IDLE (GV250)	1	
2	12612HG5100	SHAFT,STARTER IDLE GEAR (GV)	1	
3	09180-13006	SPACER,STARTER IDLE GEAR	1	
4	12620HJ8204	GEAR STARTER CLUTCH (GV250)	1	
5	09304H25002	BUSH,STARTER CLUTCH GEAR(GV250)	1	
6	07110-08168	BOLT,STARTER CLUTCH (GD)	3	
7	12622HJ8201	NULL	1	
8	12621HJ8200	NULL	1	
9	12614HS5000	CLUTCH,STARTER ONE WAY(GD125R)	1	

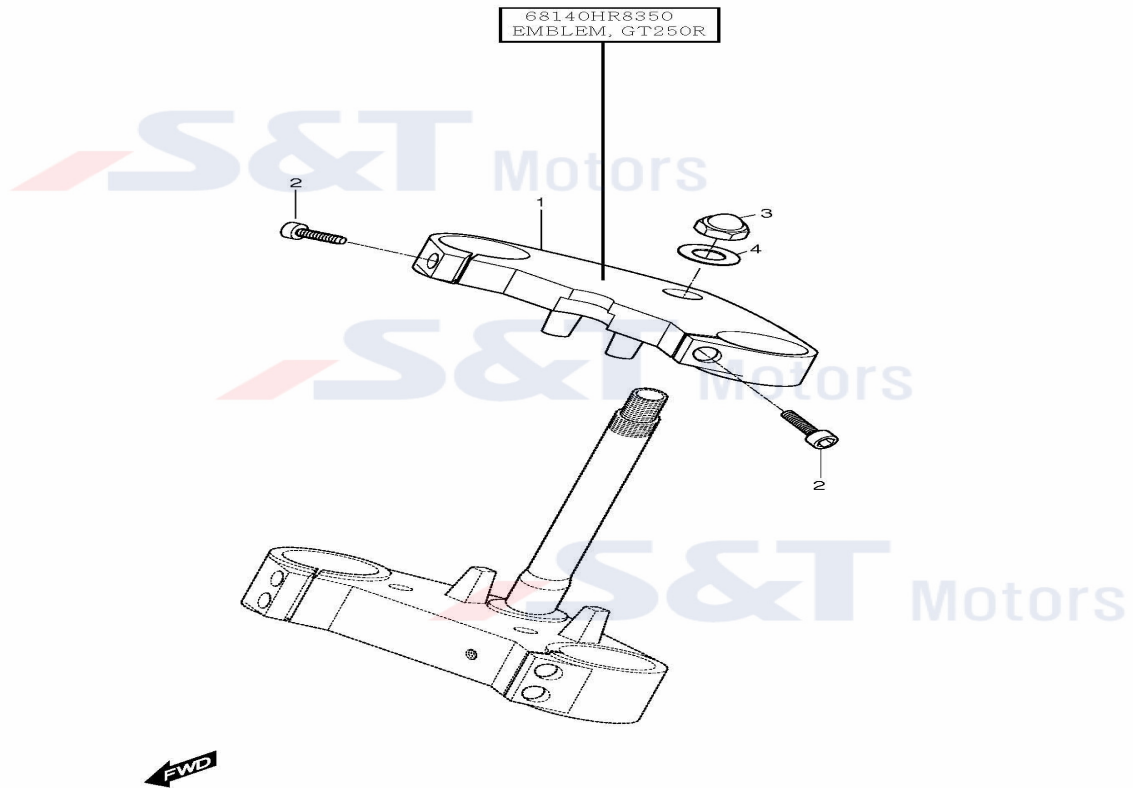
FIG 17



- 23 -

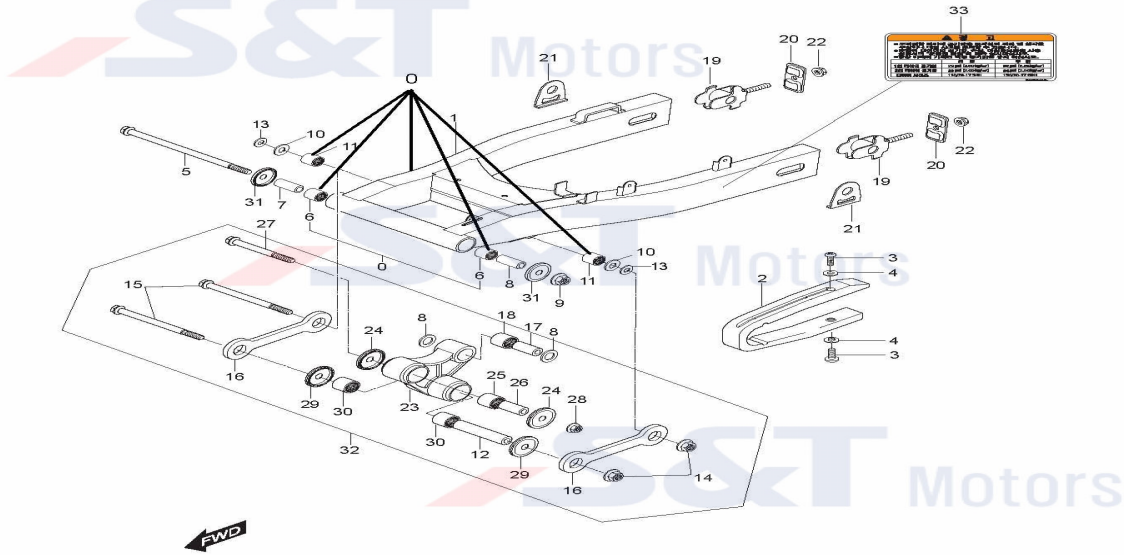
SEQ	PART CODE	PART NAME	U/S	REMARK
1	31100HG5100	MOTOR ASSY,STARTING(GV)	1	
2	31310-11D10	ARMATURE ASSY,STARTER (GD)	1	
3	31110HD6300	YOKE ASS'Y,STARTER (GT125)	1	
4	31150-42A01	HOUSING ASSY,STARTER (GD)	1	
5	31175HG5100	NULL	1	
6	31281-32C10	BOLT,THROUGH (GD)	2	
7	31156-38300	O RING STARTING MOTOR	2	
8	09280-24003	O-RING,S/MOTOR(=>09280-24001)	1	cor. 09280-24001
8-1	09280-24001	O-RING,STARTER MOTOR	1	
9	31264-35C10	O-RING (GD)	2	
10	31153-49210	SEAL,OIL (GD)	1	
11	31361-32C00	PLATE,LOCK (GD)	1	
12	31361-38300	SHIM(A)	1	
13	31361-10200	SHIM ARMATURE	1	
14	31132-32C10	BRUSH SUB-ASSY,STARTER (GD)	2	
15	31131-32C20	BRUSH,STARTER (GD)	2	
16	31114-32C10	SCREW (GD)	2	
17	31135-32C10	SPRING,COMPRESSION COIL (GD)	4	

FIG 35



SEQ	PART CODE	PART NAME	U/S	REMARK
1	51311HP940003P	BRACKET FRONT FORK UPP (GT650S)	1	
2	07110-08258	BOLT,FRAME JOINT	2	
3	09159H22201	NUT,STEERING UPPER (GV650P)	1	
3-1	09159H22200	NUT,STEERING UPPER (GV650P)	1	[2011/10/10]
4	09160H22032	WASHER,STEERING UPPER (GV)	1	
5	68140HR8300	EMBLEM,"COMET250R HYOSUNG"	1	

FIG 43

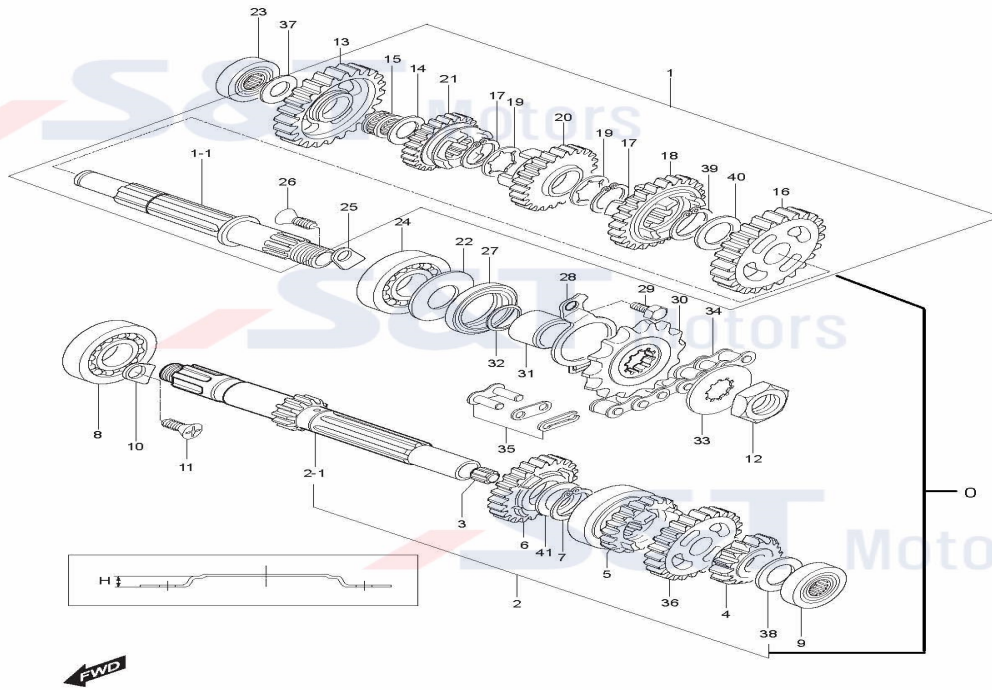


- 50 -

SEQ	PART CODE	PART NAME	U/S	REMARK
0	61100HM8105HPA	REAR SWING ARM (GT250)	1	
0-0-1	61100S98600120	SWINGARM COMP (GT250N)	1	[2011/11/14]
0-0-1	61100S98600120	SWINGARM COMP (GT250N)	1	<=61100HM8105HPA
0-1	61100S98600120	SWINGARM COMP (GT250N)	1	
1	61100HM8105	SWING ARM COMP,REAR (GT250)	1	
1-1	61100HM8105120	SWINGARM COMP (GT125R)	1	
2	61273HM8101	BUFFER,CHAIN TOUCH DEFENSE(GT)	1	
3	02142-06166	SCREW,BATTERY HOLDER (GV)	2	
4	09169-06032	WASHER,REAR FENDER (GD)	2	
5	61211HM8100	SHAFT,REAR SWING ARM PIVOT(GT2)	1	
6	09263-22017	BEARING,REAR SWING	2	
7	61251HM8100	SPACER,SWING PIVOT BEAR'G(GT2)	2	
8	09284H32001	SEAL,REAR CUSHION LEVER CEN(RX)	2	
9	08319-31128	NUT,SWING ARM PIVOT	1	
10	09283-20031	SEAL,REAR CUSHION ROD (RX)	2	
11	09263H20003	BEARING,REAR CUSHION ROD (RX)	2	
12	09180H14001	SPACER,REAR CUSH ROD (RX)	1	

13	09284H32001	SEAL,REAR CUSHION LEVER CEN(RX)	2
14	09159H14008	NUT,REAR AXLE	2
15	09103H14001	BOLT,REAR CUSHION ROD (RX)	2
16	62641HM8100	ROD,REAR CUSHION LEVER (GT250)	2
17	09180H10073	SPACER,REAR CUSHION LEVER (RX)	1
18	09263H17002	BEARING,REAR CUSHION LEVER(RX)	1
19	61410HJ8200	ADJUSTER COMP,CHAIN (GV250)	2
20	61421-01D00	PLATE CHAIN ADJUST GIIDE(GSX)	2
21	64712HJ8200	WASHER,CHAIN ADJUSTER (GV250)	2
22	08316-26108	NUT,MAGNET FLY WHEEL (SD)	2
23	62611HG5800	LEVER,REAR CUSHION (RX)	1
24	09284H33003	DUST SEAL,REAR CUSHION LEVE(RX)	2
25	09263-20073	BEARING RR SWINGARM PIV (GD)	1
26	09180H12001	SPACER,REAR CUSH LEVER FT (RX)	2
27	09103H12046	BOLT,REAR CUSHION LEVER FT(RX)	1
28	08319-31128	NUT,SWING ARM PIVOT	1
29	09284H32001	SEAL,REAR CUSHION LEVER CEN(RX)	2
30	09263H20003	BEARING,REAR CUSHION ROD (RX)	2
31	61262-45002	COVER,REAR S/ARM (GT250RN)	2
32	62611HM8100HPA	LEVER,REAR CUSHION (GT250)	1
33	68320HM8100PL	LABEL,CHAIN CASE (GT250)	1
0	61510HM8101	GUIDE,REAR BRAKE HOSE(GT250RC)	1 =61510HM8100
0-1	02142-06128	SCREW,BATTERY HOLDER	1 (02.2013~)
0-2	09116-06143	BOLT OIL COOLER (GSX)	1 (02.2013~)

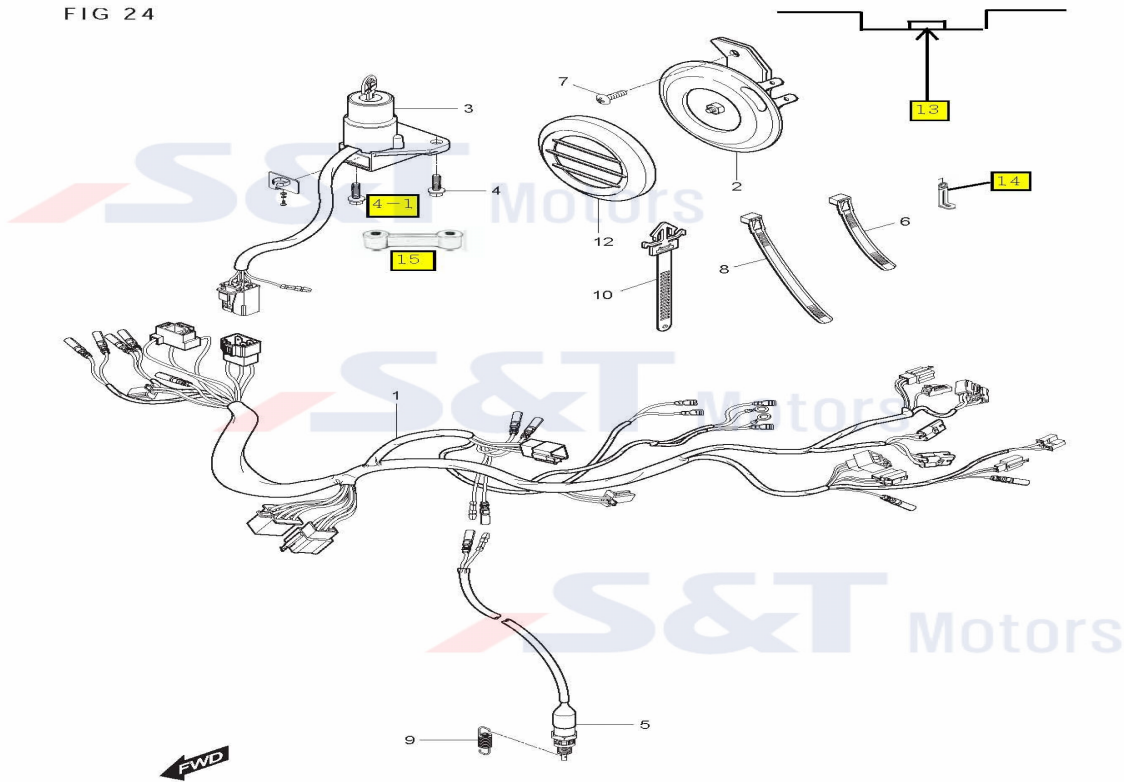
FIG 15



SEQ	PART CODE	PART NAME	U/S	REMARK
0	24200SJ8200HPA	MISSION GEAR SET (GV250)	1	cor. 24120SJ8200+24130SJ8200
0-1	24120SJ8200	SHAFT COUNTER COMP (GV250)	1	24130SJ8200
0-2	24130SJ8200	SHAFT DRIVE COMP (GV250)	1	
1	24130HJ8200HPA	DRIVE SHAFT ASS'Y (GV250)	1	cor. 24130SJ8200
1-2	24130SJ8200	SHAFT DRIVE COMP (GV250)	1	[2010/6/9]
1-1	24130HJ8201	SHAFT COMP,DRIVE (GV250)	1	
2	24121HJ8200HPA	COUNTER SHAFT ASS'Y (GV250)	1	cor. 24120SJ8200
2-2	24120SJ8200	SHAFT COUNTER COMP (GV250)	1	
2-1	24121HJ8202	SHAFT,COUNTER (GV250)	1	
3	24125-38201	BUSH,COUNTER SHAFT	1	
4	24221HJ8201	GEAR,2ND DRIVE (GV250)	1	
5	24241HJ8200	GEAR 4TH DRIVE (GV250)	1	
6	24251HJ8202	GEAR,5TH DRIVE (GV250)	1	
7	09380H20001	CILCLIP,DRIVEN GEAR (GV250)	1	
8	08110-62050	BG,COUNTER SHAFT R(#6205)(GV250)	1	
9	09263H17001	BEARING,FIXED DRIVEN L (EZ)	1	
10	24741HG5100	RETAINER,COUNTER SHAFT BG (GV)	1	
11	02122-06128	SCREW,OL GR SH	1	

12	09140-16017	NUT,ENGINE SPROCKET	1
13	24311HJ8200	GEAR,1ST DRIVEN (GV250)	1
14	08211-17261	WASHER,1ST DRIVEN GEAR THRUST	1
15	09263H17008	BEARING,1ST DRIVEN GEAR (GV250)	2
16	24320HJ8200	GEAR COMP,2ND DRIVEN (GV250)	1
17	09380H20001	CILCLIP,DRIVEN GEAR (GV250)	2
18	24331HJ8200	GEAR,3RD DRIVEN (GV250)	1
19	09167H18002	WASHER THRUST,4TH DRIVEN GR(GV	1
20	24341HJ8200	GEAR,4TH DRIVEN (GV250)	1
21	24351HJ8202	GEAR,5TH DRIVEN (GV250)	1
22	24359-05200	WASHER,OIL C-RING	1
22-1	09160H20011	WASHER,OIL SEALING (GV250)	1
23	09263H17007	BEARING,DRIVE SHAFT R (GV250)	1
24	09262H22016	BEARING,DRIVE SHAFT L (GV)	1
25	24741HG5100	RETAINER,COUNTER SHAFT BG (GV)	1
26	02122-06128	SCREW,OL GR SH	1
27	09283-27010	OIL SEAL,REAR AXLE	1
28	24751HG5102	RETAINER,DRIVE SHAFT O/SEAL(GV	1
29	01107-06106	BOLT,DR SH RETAINER	2
30	27510HC8101	SPROCKET COMP,EG 15T (GD250N)	1
30-1	27510HJ8200	SPROCKET COMP,EG 14T(#520)(GV2	1
31	27531HJ8200	SPACER,ENGINE SPROCKET (GV250)	1
31-1	27531HJ8201	SPACER,ENGINE SPROCKET (GV250)	1
32	09280-19005	O/RING,ENGINE SPROCKET	1
33	09167H20002	WASHER,ENGINE SPROCKET(GD250R)	1 Repl of 09167-20006 / (0.8T -> 1.0T)
34	27600HM8150	CHAIN,DRIVE (GT250)	1
36	24230HJ8200	GEAR COMP,3RD DRIVE (GV250)	1
37	08211-17301	WASHER DRIVE SHAFT THRUST(GV25	1
38	08211-17301	WASHER DRIVE SHAFT THRUST(GV25	1
39	09380H20001	CILCLIP,DRIVEN GEAR (GV250)	1
40	08211-22281	WASHER,2ND DRIVEN GEAR (GV250)	1
41	08211-22281	WASHER,2ND DRIVEN GEAR (GV250)	1

FIG 24



- 30 -

SEQ	PART CODE	PART NAME	U/S	REMARK
1	36610HR8300	HARNESS,WIRING (GT250R)	1	cor. 36610HR8301
1-2	36610HR8302	WIRING HARNESS (GT250FI)	1	=36610HR8301
1-1	36610HR8302	WIRING HARNESS (GT250FI)	1	
2	38500HR8300	HORN ASS'Y (GT250R)	1	
2-1	38500HP9510	HORN ASSY (BLACK) (GV650)	1	(BLACK)
3	37000HP9200	KEY SET (GT650S)	1	
3-1	37110HG5150	KEY COMP,BLANK KNOB (GV125)	1	
4	01517-06168	BOLT,STEERING LOCK (SD)	2	
4-1	09139H06016	SCREW,STEERING LOCK NO.2 (GPS)	1	
5	37740H04512	SWITCH ASS'Y,STOP (X,FB)	1	
5~1	37740HN9100	SWITCH ASS'Y,REAR STOP (GT650)	1	
6	09407-14403	CLAMP,STRNINER(125MM) (EZ)	8	
7	01517-06128	BOLT,OIL DRAIN	1	
8	09407-22402	CLAMP,WIRING HARNESS (EZ)	2	
9	09443H06006	SPRING STOP LAMP SWITCH (GA)	1	
10	09407-14408	BAND	5	
11	41495HN9101	GUIDE CLAMP,HARNESS (GT650)	3	
12	38510H93B00	COVER HORN (GT)	1	

13	38520HR8300	BRACKET,HORN (GT250R)	1
14	09404-06401	CLAMP,OIL HOSE	1
15	37550HP9200	SPACER,STEERING LOCK (GT650S)	1