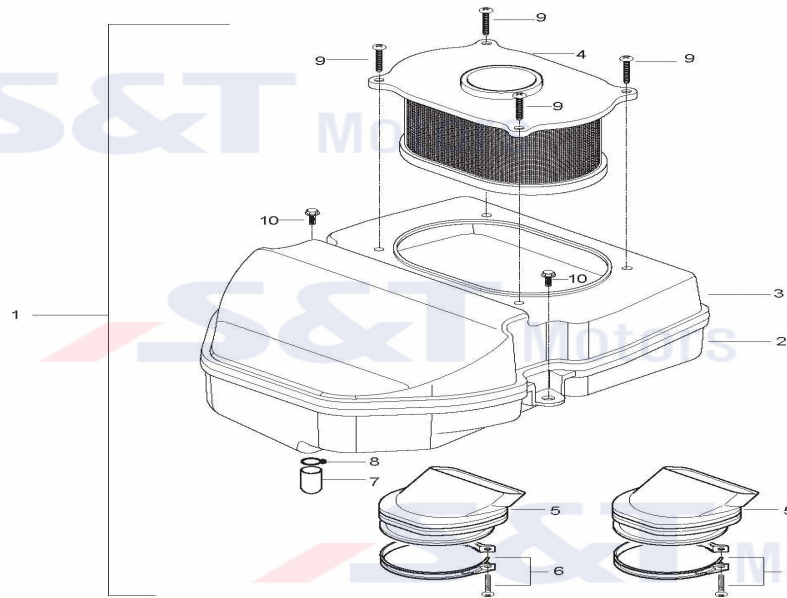


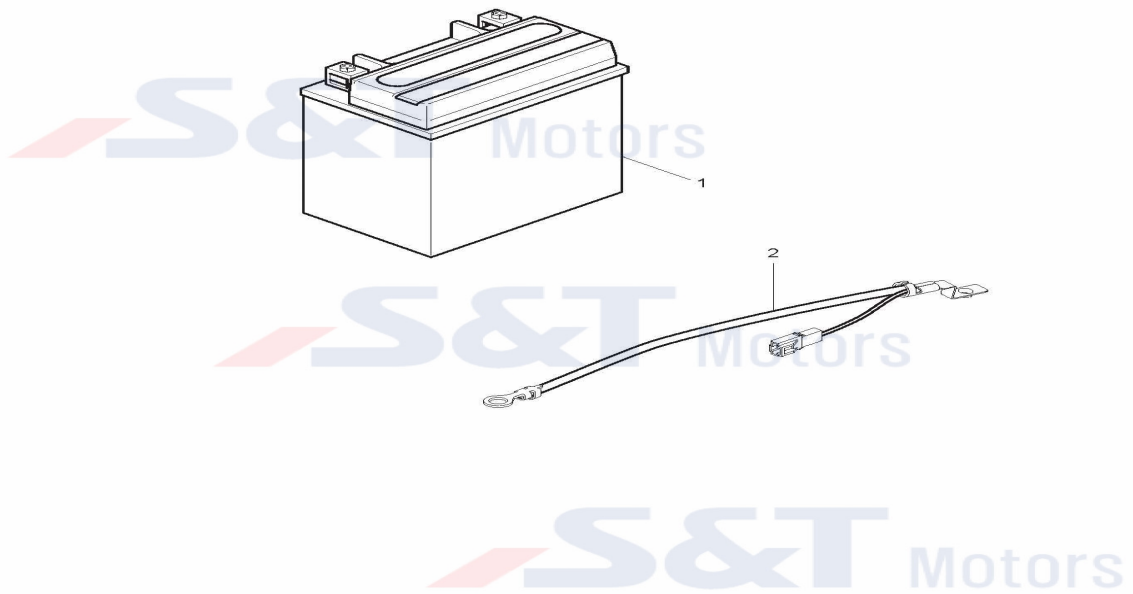
FIG 11



- 15 -

SEQ	PART CODE	PART NAME	U/S	REMARK
1	13700HR6501	CLEANER ASS'Y,AIR (GT125RAT)	1	
1-1	13700HM7970	CLEANER ASS'Y,AIR (GT125)	1	8JP01
2	13721HM7900	CASE AIR CLEANER (GT125)	1	
3	13740HM8101	CAP COMP,AIR CLEANER (GT250)	1	
4	13780HM8100	FILTER AIR CLEANER (GT250)	1	
4-1	13780HR8600	FILTER,AIR CLEANER (GT250FI)	1	=13780HM8100
5	13881HL7300	TUBE,OUTLET (MS1-125)	2	
6	09402-56208	CLAMP,OUTLET TUBE	2	
7	13895HF4500	PLUG	1	
8	09401-14301	CLIP	1	
9	02142-05165	SCREW,HANDLE COVER NO1	4	
10	02142-16125	SCREW,FRAME COVER CENTER R	2	

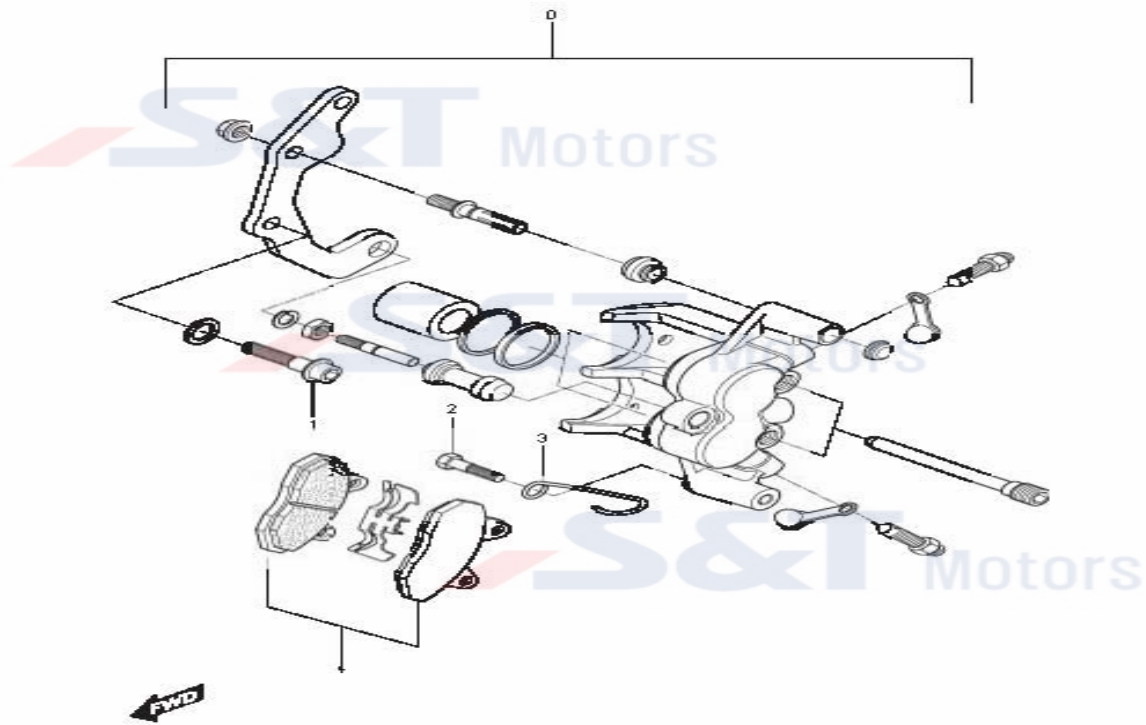
FIG 19



- 25 -

SEQ	PART CODE	PART NAME	U/S	REMARK
1	33610HG5110KOR	BATTERY ASS'Y(12V 8AH) (GV125	1	
2	33860HM8101	LEAD WIRE,BATTERY MINUS(GT250)	1	

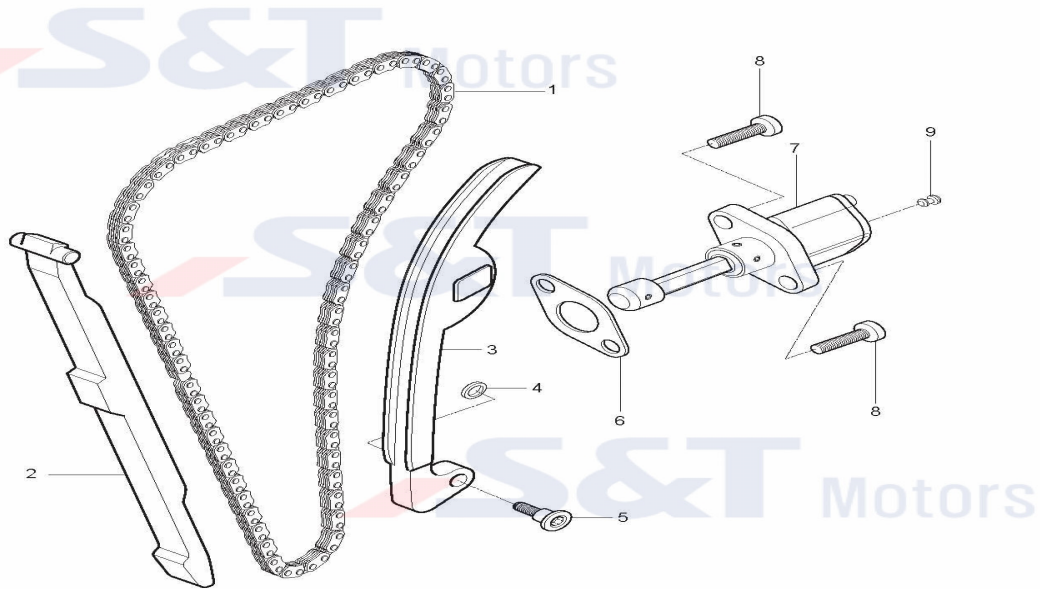
FIG 40



- 48 -

SEQ	PART CODE	PART NAME	U/S	REMARK
0	59300HM7903	CALIPER (GT125)	1	
1	07120-08308	BOLT,CALIPER (RX)	2	
2	01514-06106	BOLT,SPEEDOMETER CABLE GUID(GV	1	
3	51418HM8101	GUIDE,SPEEDOMETER (GT)	1	
4	59300HM7903	CALIPER (GT125)	1	
4-1	59301HP9500	PAD SET(8.4T) (GV650)	1	

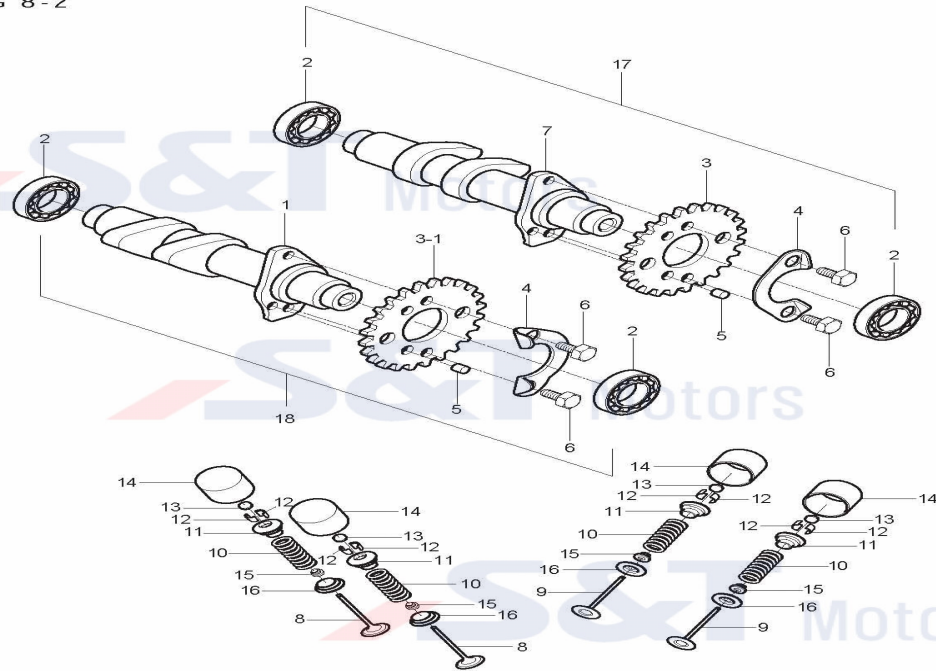
FIG 9



- 11 -

SEQ	PART CODE	PART NAME	U/S	REMARK
1	12760HG5100	CHAIN COMP,CAM SHAFT DRIVE(GV)	2	
2	12771HG5100	GUIDE,CAM SHAFT NO1 (GV)	2	
3	12811HG5101	TENSIONER,CAM CHAIN (GV)	2	
4	08211-06181	WASHER CAMLINK TENS BOLT (GD)	2	
5	12812H35C00	BOLT CAM CHAIN TENSIONER (GD)	2	
6	12837HP7600	GASKET,TENSIONER ADJUSTER (GT)	2	
6-1	12837HP7600	GASKET,TENSIONER ADJUSTER (GT)	2	
7	12830H88600	ADJUST ASSY,TENSIONER(GT125RAT)	2	
7-1	12830H88600	ADJUST ASSY,TENSIONER(GT125RAT)	2	
8	07110-06208	BOLT,FRONT FENDER LH (GD,GA-F)	4	
9	12839HN9120	SCREW,TENSIONER ADJUSTER(GT250)	2	
9-1	12839HN9120	SCREW,TENSIONER ADJUSTER(GT250)	2	

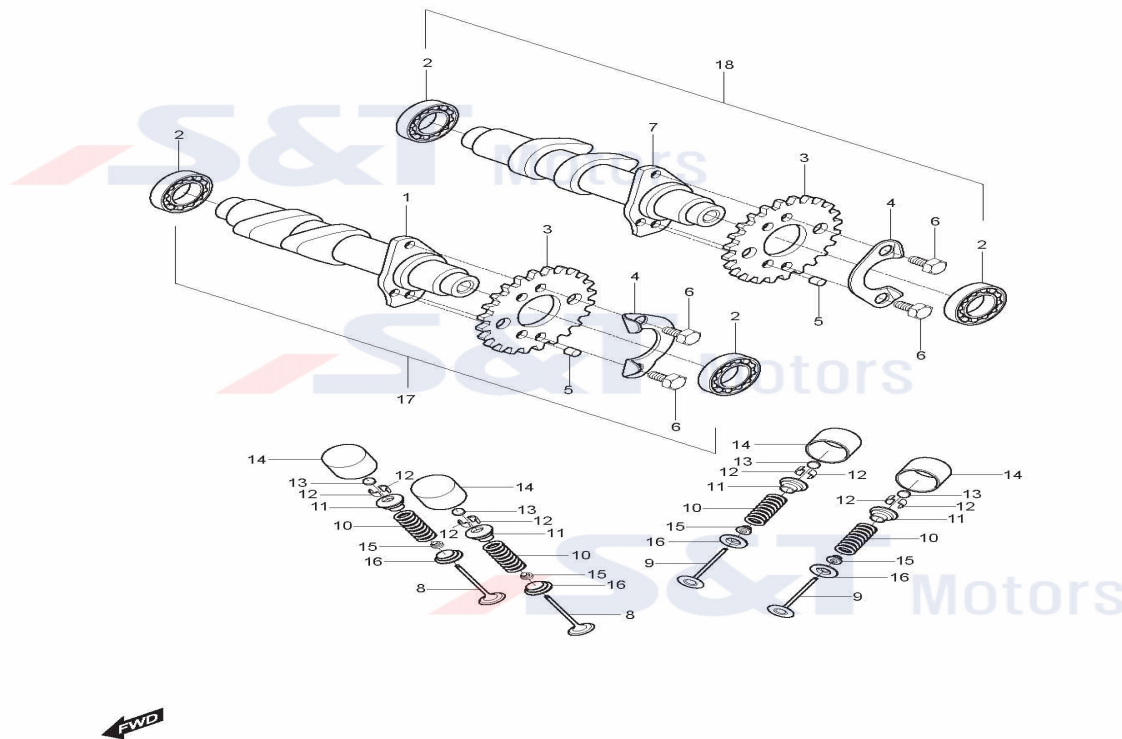
FIG 8-2



- 10 -

SEQ	PART CODE	PART NAME	U/S	REMARK
1	12711HG5102	CAM SHAFT,FRONT INTAKE (GV)	1	=12711HG5102888
2	09262H17005	BEARING,CAM SHAFT (GT250)	4	=09262-17019
3	12741HG5101	SPROCKET,CAM SHAFT FRONT (GV)	1	
3-1	12742HG5100	SPROCKET,CAM SHAFT REAR (GV)	1	
4	12747-44B00	WASHER SPROCKET (GD)	2	
5	09261-05005	KNOCK PIN,SPROCKET	2	
6	09111-06032	BOLT,SPROCKET	4	
7	12731HG5102	CAM SHAFT,EXHAUST (GV)	1	=12731HG5102888
8	12911HG5101	VALVE,INTAKE (GV)	2	
9	12912HG5101	VALVE,EXHAUST (GV)	2	
10	12921HG5101	SPRING,VALVE (GV)	4	
11	12931HG5100	RETAINER,VALVE SPRING (GV)	4	
12	12932HG5100	COTTER,VALVE (GV)	8	
13	12892-05C00170	SHIM TAPPET (GD)	4	
14	12881H03000001	TAPPET (GV)	4	
15	09289H04003	SEAL,VALVE STEM OIL (GV)	4	
16	12933HG5100	SEAT,VALVE SPRING (GV)	4	
17	12710HG5100HPA	CAM SHAFT ASSY,FRONT INTAKE(GV)	1	

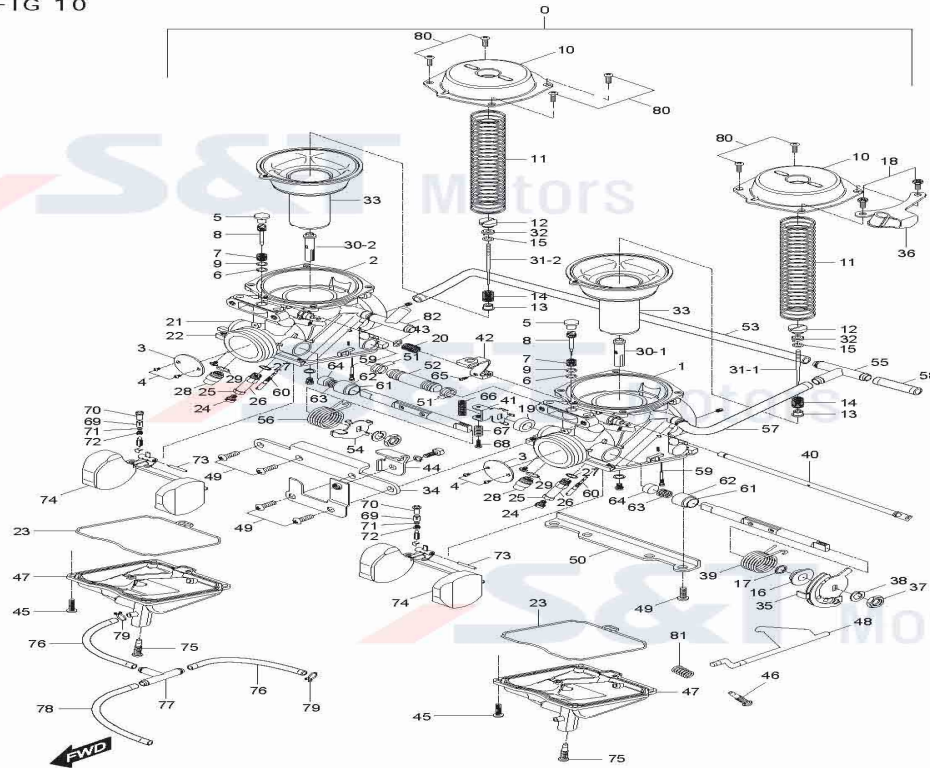
FIG 8-1



- 9 -

SEQ	PART CODE	PART NAME	U/S	REMARK
1	12711HG5102	CAM SHAFT,FRONT INTAKE (GV)	1	=12711HG5102888
2	09262H17005	BEARING,CAM SHAFT (GT250)	4	=09262-17019
3	12742HG5100	SPROCKET,CAM SHAFT REAR (GV)	2	
4	12747-44B00	WASHER SPROCKET (GD)	2	
5	09261-05005	KNOCK PIN,SPROCKET	2	
6	09111-06032	BOLT,SPROCKET	4	
7	12731HG5102	CAM SHAFT,EXHAUST (GV)	1	=12731HG5102888
8	12911HG5101	VALVE,INTAKE (GV)	2	
9	12912HG5101	VALVE,EXHAUST (GV)	2	
10	12921HG5101	SPRING,VALVE (GV)	4	
11	12931HG5100	RETAINER,VALVE SPRING (GV)	4	
12	12932HG5100	COTTER,VALVE (GV)	8	
13	12892-05C00170	SHIM TAPPET (GD)	4	
14	12881H03000001	TAPPET (GV)	4	
15	09289H04003	SEAL,VALVE STEM OIL (GV)	4	
16	12933HG5100	SEAT,VALVE SPRING (GV)	4	
17	12720HG5100HPA	CAM SHAFT ASS'Y REAR INTAKE(GV)	1	
18	12750HG5100HPA	CAM SHAFT ASS'Y,REAR EX (GV)	1	

FIG 10



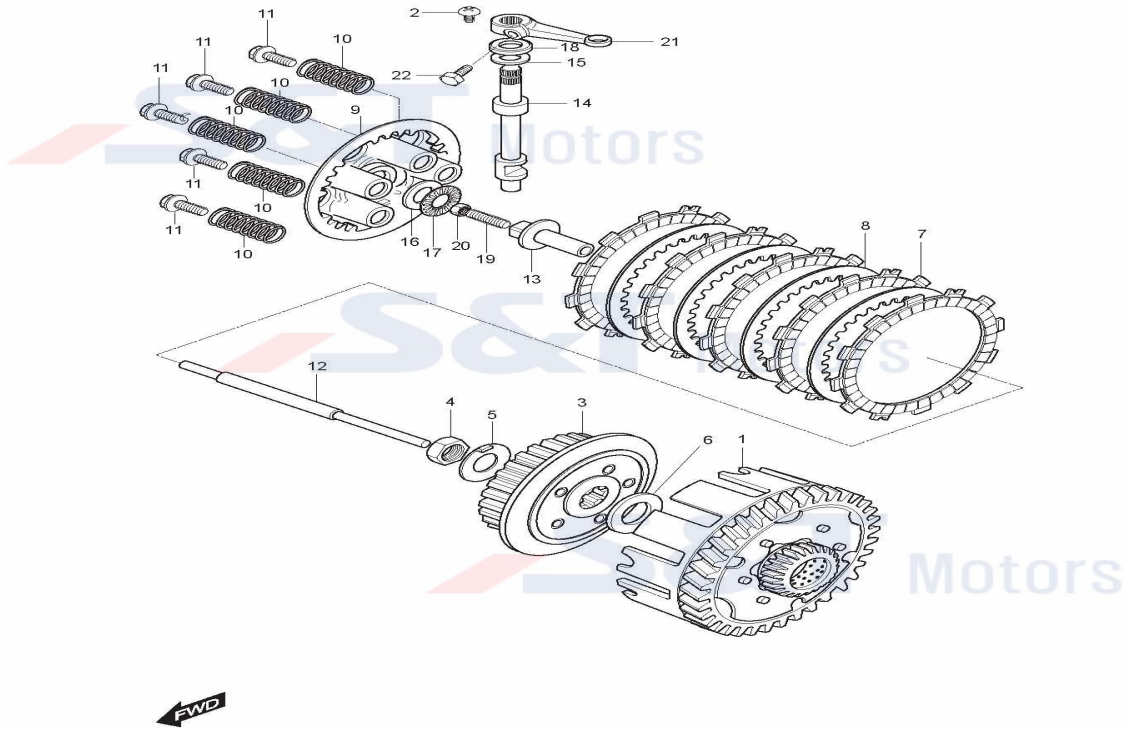
- 12 -

SEQ	PART CODE	PART NAME	U/S	REMARK
0	13200HM7901	CARBUROTOR ASS'Y (GT125)	1	
0-1	13200HM7901	CARBUROTOR ASS'Y (GT125)	1	
1	13301HG5100	MIXING BODY ASS'Y (GV125)	1	
2	13302HG5100	MIXING BODY ASS'Y (GV125)	1	
3	13303HG5100	THROTTLE VALVE (GV125)	2	
4	13304HG5100	SCREW (GV125)	4	
5	13305HG5100	PLUG (GV125)	2	
6	13306HG5100	O-RING (GV125)	2	
7	13307HG5100	SPRING(CO) (GV)	2	
8	13308HG5100	ADJUSTER (GV125)	2	
9	13309HG5100	WASHER (GV)	2	
10	13310HG5100	DIAPHRAGM COVER (GV)	2	
11	13311HG5100	SPRING(CO) (GV)	2	
12	13312HG5100	SCREW (GV)	2	
13	13313HG5100	RING (GV)	2	
14	13314HG5100	SPRING(CO) (GV)	2	
15	13315HG5100	E-RING (GV)	2	
16	13316HG5100	RING (GV)	1	

17	13317HG5100	SEAL	(GV)	1
18	13318HG5100	BOLT	(GV)	2
19	13319HG5100	RING	(GV)	1
20	13320HG5100	SPRING(CO)	(GV)	1
21	13321HG5100	PACKING	(GV)	1
22	13322HG5100	SHAFT ASS'Y	(GV)	1
23	13323HG5100	O-RING	(GV)	2
24	13324HM7900	MAIN JET #87.5(F/T)	(GT125)	1
24-1	13325HM7900	MAIN JET #90(REAR)	(GT125)	1
25	13326HG5100	PACKING	(GV)	2
26	13327HG5100	SCREW	(GV)	2
27	13328HG5100	WASHER	(GV)	2
28	13329HG5100	SCREW	(GV)	2
29	13330HG5100	WASHER	(GV)	2
30	13331HM8100	NEEDLE JET(0-3M)	(GT250)	1
30-1	13332HM8100	NEEDLE JET(0-4M)	(GT250)	1
31	13333HM8100	JET NEEDLE	(GT250)	1
31-1	13334HM8100	JET NEEDLE	(GT250)	1
32	13337HG5100	RING	(GV)	2
33	13338HG5100	DIAPHRAGM ASS'Y	(GV)	2
34	13339HG5100	PLATE	(GV)	1
35	13340HG5100	LEVER ASS'Y	(GV)	1
36	13341HG5100	BRACKET ASS'Y	(GV)	1
37	13342HG5100	NUT	(GV)	1
38	13343HG5100	WASHER	(GV)	1
39	13344HG5100	SPRING(CO)	(GV)	1
40	13345HG5100	SHAFT ASS'Y	(GV)	1
41	13346HG5100	THROTTLE SHAFT ASS'Y	(GV)	1
42	13347HG5100	STARTER LEVER	(GV)	1
43	13348HG5100	E-RING	(GV)	1
44	13349HG5100	BRACKET ASS'Y	(GV)	1
45	13350HG5100	SCREW	(GV)	8
46	13388HM8100	NULL		1
47	13352HG5100	FLOAT BODY ASS'Y	(GV)	2
48	13353HG5100	BRACKET	(GV)	1
49	13354HG5100	SCREW	(GV)	8
50	13355HG5100	PLATE	(GV)	1
51	13356HG5100	O-RING	(GV)	4
52	13357HG5100	NIPPLE	(GV)	1
53	13358HM8100	NULL		1
54	13359HG5100	THROTTLE SHAFT	(GV)	1
55	13360HM8100	NULL		1
56	13361HG5100	SPRING(CO)	(CO)	1
57	13362HM8100	NULL		1

58	13363HM8100	NULL		1
59	13364HM8100	JET(PAJ)	(GT250)	2
60	13365HM7900	JET PILOT	(GT125)	1
61	13366HG5100	CAP	(GV)	2
62	13367HG5100	GUIDE HOLDER	(GV)	2
63	13368HG5100	SPRING(CO)	(GV)	2
64	13369HG5100	PLUNGER ASS'Y	(GV)	2
65	13370HG5100	SCREW	(GV)	1
66	13371HG5100	SPRING(CO)	(GV)	1
67	13372HG5100	SPRING(CO)	(GV)	1
68	13373HG5100	SCREW	(GV)	1
69	13374HG5100	FILTER	(GV)	2
70	13375HG5100	NEEDLE VALVE ASS'Y	(GV)	2 cor. 13375HJ8230
70-1	13375HJ8230	NEEDLE VALVE ASS'Y(VS)	(GV250)	2
71	13376HG5100	O-RING	(GV)	2
72	13377HG5100	SCREW	(GV)	2
73	13378HG5100	PIN	(GV)	2
74	13379HG5100	FLOAT ASS'Y	(GV)	2
75	13380HG5100	SCREW	(GV)	2
76	13381HG5100	HOSE	(GV)	2
77	13382HG5100	NIPPLE	(GV)	1
78	13383HG5100	HOSE	(GV)	1
79	13384HG5100	CLIP	(GV)	2
80	13385HG5100	SCREW	(GV)	6
81	13386HG5100	SPRING(CO)	(GV)	1
82	13387HM8100	PACKING	(GT250)	1

FIG 14

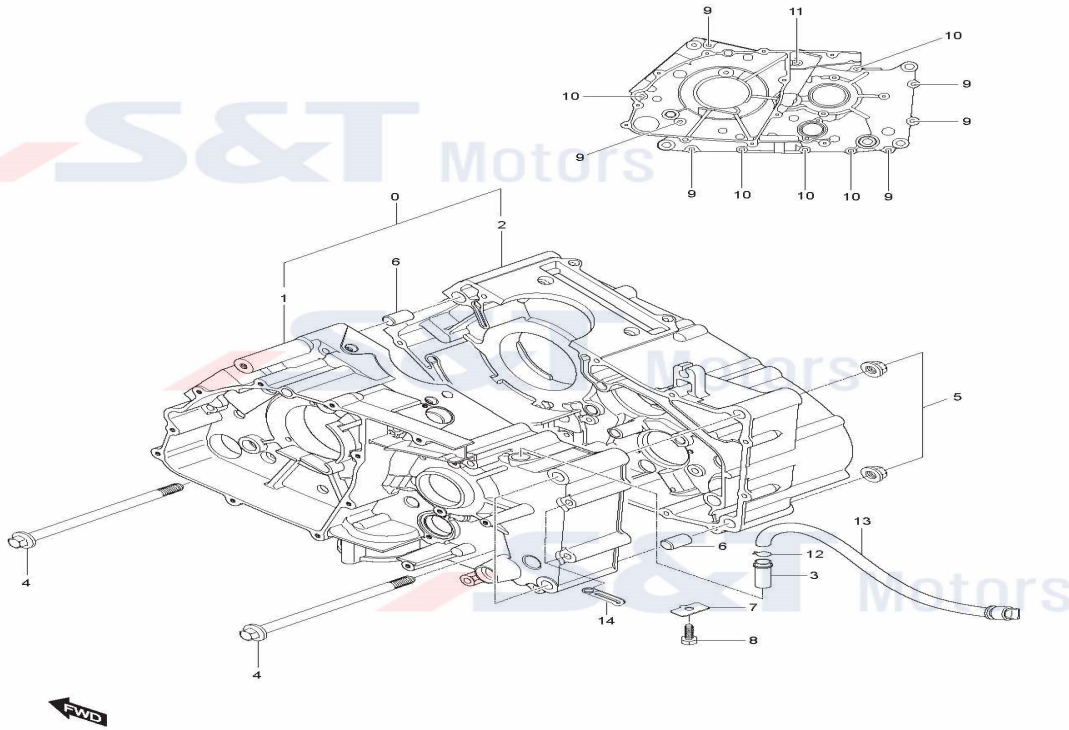


- 18 -

SEQ	PART CODE	PART NAME	U/S	REMARK
1	21200HG5100HPA	GEAR COMP PRIMARY DRIVEN (GV)	1	
2	02142-06108	SCREW,KICK STARTER	1	
3	21411-05200	HUB,CLUTCH SLEEVE (GV125)	1	
4	09140-16014	NUT,CLUTCH SLEEVE	1	
5	09169-16003	WASHER,CLUTCH SLEEVE	1	
6	08211-20352	THRUST WASHER CL SLEEVE HUB	1	
7	21441-13A01	PLATE,CLUTCH DRIVE (GV125)	6	
8	21451-28000	PLATE,CLUTCH DRIVEN	5	
9	21462-14102	DISK,CLUTCH PRESSURE(TN,R,GS)	1	
10	09440-15014	SPRING,CLUTCH	5	
11	09116-05003	BOLT,CLTCH SPRING	5	
12	23110HG5100	ROD COMP,CLUTCH PUSH (GV125)	1	
12-1	23110HJ8202	ROD COMP,CLUTCH PUSH (GT250)	1	
12-2	23115HN9100	ROD,CLUTCH PUSH NO.2 (GT650)	1	
12-3	23113HJ8200	ROD,CLUTCH PUSH R (GV250)	1	
13	23121-38201	PIECE CLUTCH PUSH (GD)	1	
14	23122HG5100	SHAFT,CLUTCH RELEASE CAM (GV)	1	

15	08211-10201	THRUST WASHER,CLUTCH RELEASE	1
16	09160-15015	THRUST WASHER,CLUTCH RELEASE	1
17	09263H15001	BEARING,CLUTCH RELEASE	1
18	09282-10007	OIL SEAL,CLUTCH RELEASE CAM	1
19	09134-06010	SCREW,CLUTCH RELEASE	1
20	08310-22068	NUT,UNIT&COIL (GV650)	1
21	23271HJ8250	ARM,CLUTCH RELEASE (GV250- KEU	1
22	01107-06168	BOLT,RELEASE ARM (GT250RN)	1

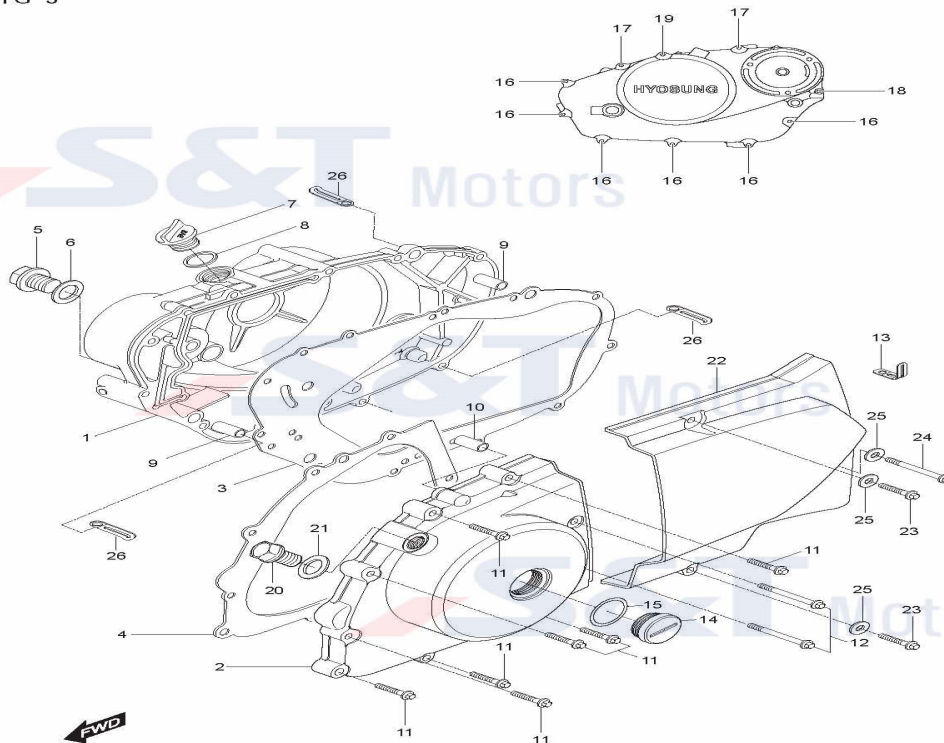
FIG 4



- 5 -

SEQ	PART CODE	PART NAME	U/S	REMARK
0	11300HM7912HPA	C/CASE ASS'Y(BLACK) (GT125)	1	
1	11320HM7901PCC	CRANK CASE LH (GT125)	1	
2	11310HM7900PCC	CRANK CASE R (GT125)	1	
3	09364-12001	UNION,BREATHER HOSE	1	
4	09103H10022	BOLT,CENTER STAND (GT250RN)	3	
5	08319-31106	NUT,BRACKET & CLAMP	3	
6	04213-13189	PIN,CRANK CASE (GT&GV)	2	
7	11319-05200	PLATE,OIL GALLAY PLUG	1	
8	01107-06106	BOLT,DR SH RETAINER	1	
9	01547-06558	BOLT,CRANK CASE	6	
10	01547-06808	BOLT,CRANKCASE (GD)	5	
11	02112-06908	SCREW,CL COVER R	1	
12	09401-14301	CLIP	1	
13	13870H29B00	CAP COMP BREATHER	1	
14	09404-06404	CLAMP,WIRING HARNESS	2	

FIG 5

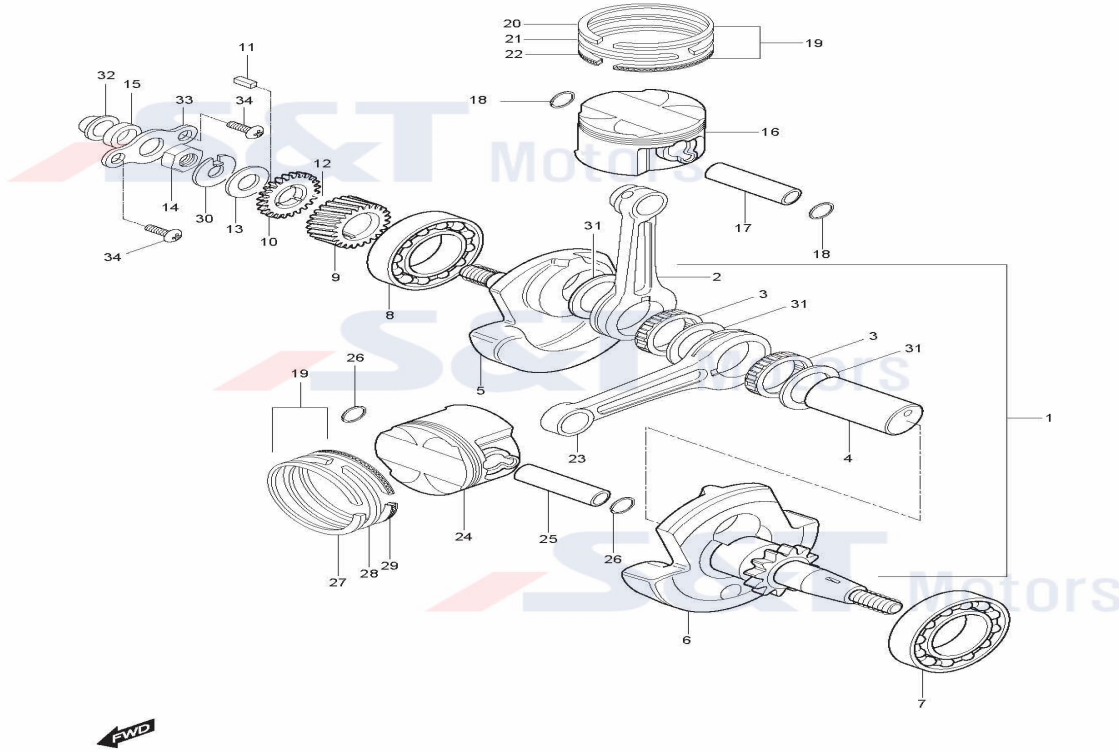


- 6 -

SEQ	PART CODE	PART NAME	U/S	REMARK
1	11341SJ820003S	COVER COMP,CLUTCH (GT125)	1	
2	11351HG510203S	COVER,MAGNETO (GT125)	1	
3	11482HG5102	GASKET CLUTCH COVER (GV-125)	1	
4	11483HG5102	GASKET,MAGNETO COVER (GV125)	1	
5	09247-14026	PLUG,BOLT	1	
6	09168H14003	GASKET,OIL CHECK PLUG (SB)	1	
7	09259-2000903S	PLUG,ENGINE OIL FILTER (GS)	1	
8	09280-17003	O-RING,ENGINE OIL FILTER	1	cor. 09280H17003
8-1	09280H17003	O-RING,ENGINE OIL FILTER (FX)	1	
9	04213-13189	PIN,CRANK CASE (GT&GV)	2	
10	04213-09129	PIN,MAGNETO COVER	1	
11	01547-06308	BOLT,MAGNET&CLUTCH COVER (EZ)	7	
12	01547-06558	BOLT,CRANK CASE	2	
13	09403H09304	CLAMP CLUTCH CABLE (GA)	1	
14	09259-2601503S	PLUG,CRANK SHAFT HOLE (GS)	1	
15	09280-22008	O-RING,CRANK SHAFT HOLE PL	1	
16	01547-06258	BOLT,INTAKE HEAD (GV650)	6	

17	01547-06358	BOLT,MAGET&SPROCKET COV	2
18	01547-06608	BOLT,CAM SHAFT HOLDER (GA)	1
19	01547-06758	BOLT,CRANK CASE	1
20	09247H12102	PLUG,T D C	1
21	09168H12003	GASKET,TDC PLUG (SB)	1
22	11360HM790103S	COVER,ENGINE SPROCKET (GT125)	1
23	01547-06308	BOLT,MAGNET&CLUTCH COVER (EZ)	2
24	01547-06508	BOLT,MAGNETO COVER	1
25	08321-31068	LOCK WASHER	3
26	09404-06401	CLAMP,OIL HOSE	3

FIG 6

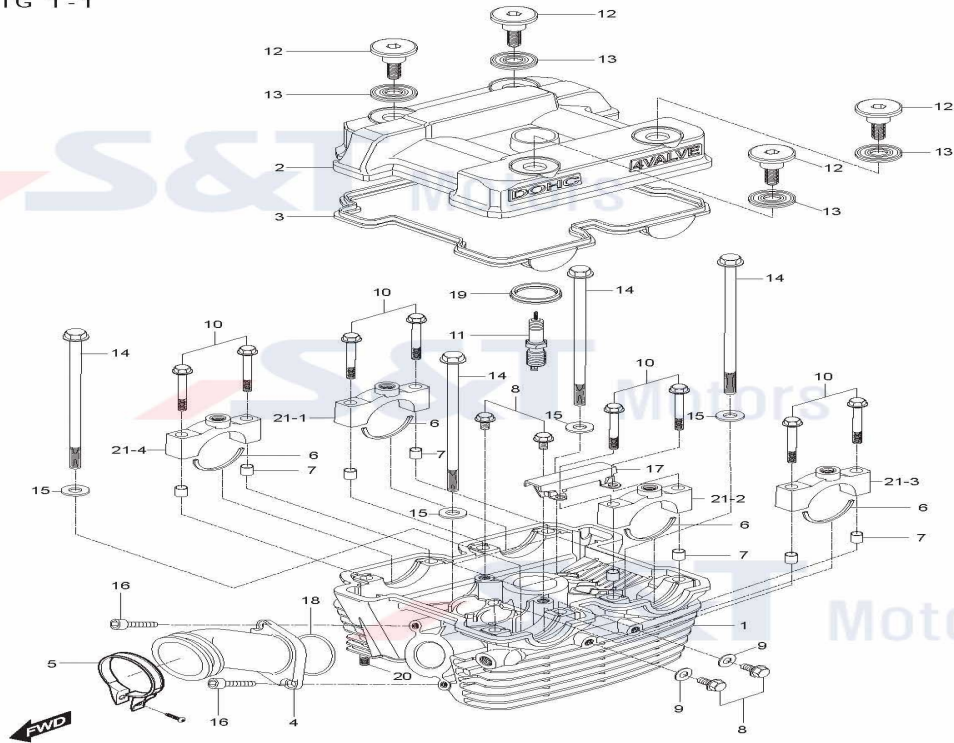


- / -

SEQ	PART CODE	PART NAME	U/S	REMARK
1	12200HG5100HPA	CRANK SHAFT ASS'Y (GV)	1	
2	12161HG5100	ROD,CONNECTING (GV)	1	
3	09263H28003	BEARING,CRANK PIN (GV125)	2	
4	12211HG5101	PIN,CRANK (GV125)	1	
4-1	12210HG5101	PIN COMP,CRANK (GV125)	1	=>12211HG5101
5	12221HG5106CSA	CRANK SHAFT R (GV)	1	
6	12261HG5104CSA	CRANK SHAFT L (GV)	1	
7	09262H35002	BEARING,CRANK SHAFT L(RX125SM)	1	
8	09262H35002	BEARING,CRANK SHAFT L(RX125SM)	1	
9	21111HG5100	GEAR,PRIMARY DRIVE (GV)	1	
10	21112-35C00	GEAR PRIMARY DRIVE NO2 (GSX)	1	
11	09421-04004	KEY,PRIMARY DRIVEN GEAR	1	
12	21114-35C00	SPRING PRIARY DRIVE GEAR(GSX)	3	
13	09166H16021	WASHER,PRIMARY DRIVE GEAR(GV)	1	
14	09140-16019	NUT,PRIMARY DRIVEN GEAR	1	
15	09282-12001	OIL SEAL,CRANK SHAFT RH	1	
16	12112HG5101	PISTON,REAR (GV125)	1	=12112HG5100PPS

16-1	12112HG5100HPA	PISTON REAR	(GV125)	1
17	12151HG5102	PIN,PISTON	(GV)	1
18	09381-13001	CIRCLIP,PISTON PIN	(GV)	2
19	12140HG5100	RING SET,PISTON	(GV)	2 12141HG5101+12142HG5101+12144HG5101
20	12141HG5101	RING,PISTON 1ST	(GV)	1
21	12142HG5101	RING,PISTON 2ND	(GV)	1
22	12144HG5101	RING,PISTON OIL	(GV)	1
23	12161HG5100	ROD,CONNECTING	(GV)	1
24	12111HG5107	PISTON,FRONT	(GV125)	1 =12111HG5106PPS
24-1	12111HG5100HPA	PISTON FRONT	(GV125)	1
25	12151HG5102	PIN,PISTON	(GV)	1
26	09381-13001	CIRCLIP,PISTON PIN	(GV)	2
27	12141HG5101	RING,PISTON 1ST	(GV)	1
28	12142HG5101	RING,PISTON 2ND	(GV)	1
29	12144HG5101	RING,PISTON OIL	(GV)	1
30	09166H16031	WASHER,PRIMARY DRV GR LOCK(GV)		1
31	09160H28001	WASHER,CONNROD THRUST	(GV)	3
32	11342HG5100	JET,CLUTCH COVER	(GV)	1
33	11343HG5100	RETAINER,CLUTCH COVER	(GV)	1
34	02112-06106	SCREW,REAR BRAKE CABLE PLATE		2

FIG 1-1

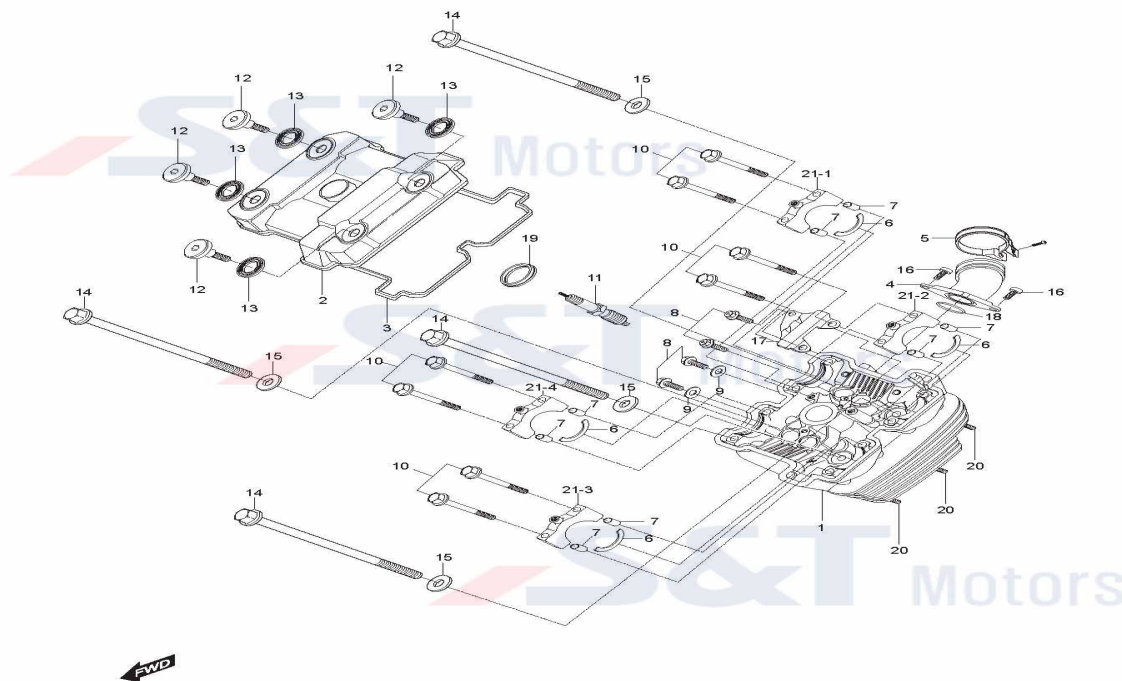


- 1 -

SEQ	PART CODE	PART NAME	U/S	REMARK
1	11110SR6500HPA	HEAD COMP,CYLINDER FT(GT125RAT	1	BLACK ENGINE
2	11171HG510203S	COVER,CYLINDER HEAD (GT250)	1	
3	11173HG5100	GASKET CYLINDER HEAD COVER(GV)	1	
4	13110HG5122	PIPE COMP,INTAKE FRONT (GT125)	1	
5	09402-44207	CLAMP,INTAKE PIPE	1	
6	09390-35001	C-RING	4	
7	09206-08001	PIN,MAGNET COVER (GT&GV)	8	
8	01517-06128	BOLT,OIL DRAIN	4	
9	09168H06019	GASKET,OIL GALLEY BOLT (GV)	2	
10	09103-06013	BOLT (GD)	8	
11	09482-00456HAS	SPARK PLUG(CR8E)	1	
12	09109H07018	BOLT,CYLINDER HEAD COVER (GV)	4	
13	09161H11008	WASHER,CYLINDER HEAD COVER(GD)	4	
14	09103H08306	BOLT,CYLINDER HEAD L130 (GV)	4	
15	09168-08021	GASKET CYLINDER HEAD BOLT	4	
16	09119H06002	BOLT (GV)	2	
16-1	09128H06020	BOLT,INTAKE PIPE (GT,GV)	1	

17	12782HG5100	GUIDE,CAM CHAIN NO2	(GV)	1
18	09280H32006	O-RING,INTAKE PIPE		1
19	11178-17E00	GASKET CYL/HEAD COVER NO.2		1
20	01421-06258	STUD BOLT CYLINDER	(GA)	1
21	11121-35C00PCH	HOUSING,CAM SHAFT	(GD)	1
21-1	11122-35C00PCH	HOUSING,CAM SHAFT	(GD)	1
21-2	11123-35C00PCH	HOUSING CAM SHAFT	(GD)	1
21-4	11124-35C00PCH	HOUSING CAM SHAFT	(GD)	1

FIG 1 - 2

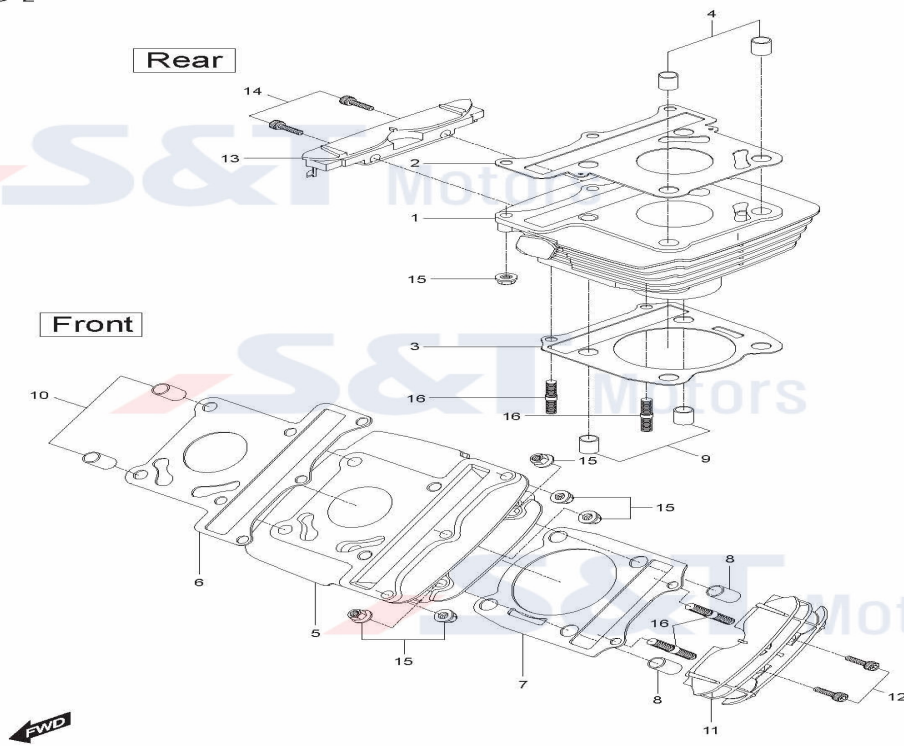


- 2 -

SEQ	PART CODE	PART NAME	U/S	REMARK
1	11110SM7900HPA	HEAD COMP,CYLINDER (GT125)	1	
2	11171HG510203S	COVER,CYLINDER HEAD (GT250)	1	
3	11173HG5100	GASKET CYLINDER HEAD COVER(GV)	1	
4	13120HG5130	PIPE COMP,INTAKE REAR (GT125)	1	
5	09402-44207	CLAMP,INTAKE PIPE	1	
6	09390-35001	C-RING	4	
7	09206-08001	PIN,MAGNET COVER (GT&GV)	8	
8	01517-06128	BOLT,OIL DRAIN	4	
9	09168H06019	GASKET,OIL GALLEY BOLT (GV)	2	
10	09103-06013	BOLT (GD)	8	
11	09482-00456HAS	SPARK PLUG(CR8E)	1	
12	09109H07018	BOLT,CYLINDER HEAD COVER (GV)	4	
13	09161H11008	WASHER,CYLINDER HEAD COVER(GD)	4	
14	09103H08306	BOLT,CYLINDER HEAD L130 (GV)	4	
15	09168-08021	GASKET CYLINDER HEAD BOLT	4	
16	09119H06002	BOLT (GV)	2	
17	12782HG5100	GUIDE,CAM CHAIN NO2 (GV)	1	

18	09280H32006	O-RING,INTAKE PIPE		1
19	11178-17E00	GASKET CYL/HEAD COVER NO.2		1
20	01421-06258	STUD BOLT CYLINDER	(GA)	3
21	11121-35C00PCH	HOUSING,CAM SHAFT	(GD)	1
21-1	11122-35C00PCH	HOUSING,CAM SHAFT	(GD)	1
21-2	11123-35C00PCH	HOUSING CAM SHAFT	(GD)	1
21-3	11124-35C00PCH	HOUSING CAM SHAFT	(GD)	1

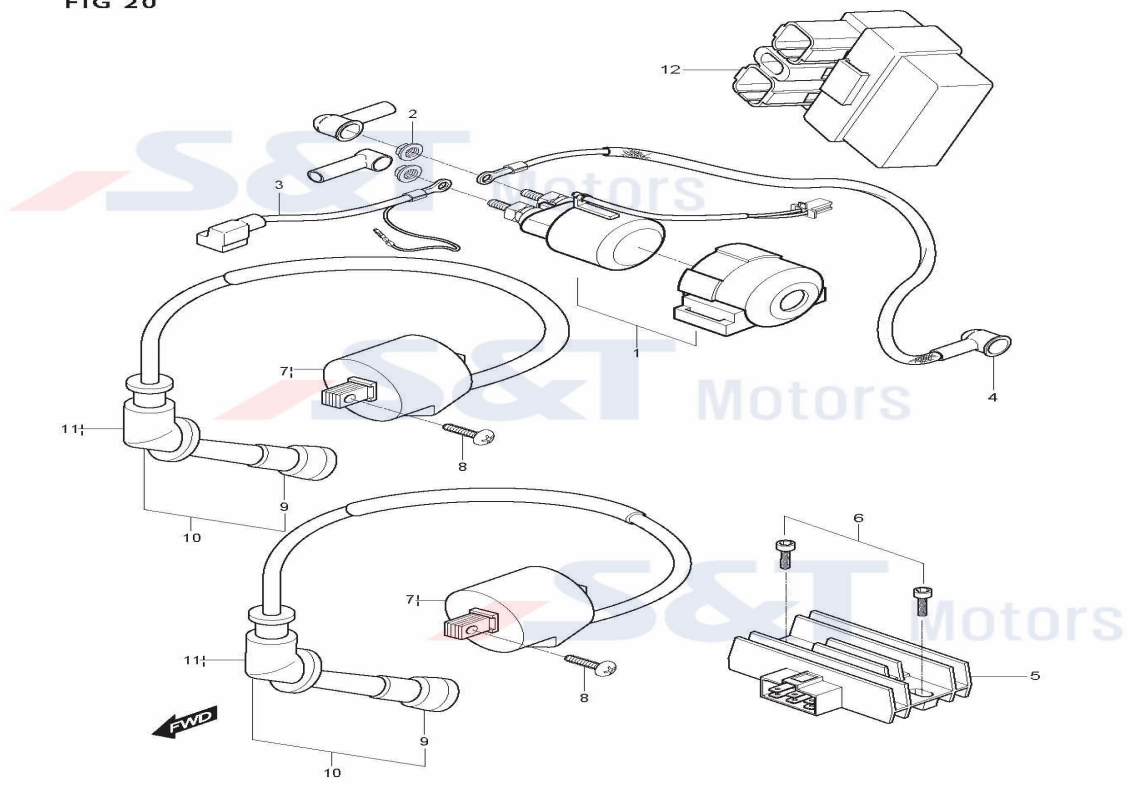
FIG 2



- 3 -

SEQ	PART CODE	PART NAME	U/S	REMARK
1	11220HR6551PCY	CYLINDER COMP,REAR (GT125)	1	
2	11141HG5110	GASKET,CYLINDER HEAD (GV125)	1	
3	11241HG5103	GASKET,CYLINDER(NA) (GV125)	1	
4	04213-11169	PIN,CYLINDER HEAD KNOCK (FX)	2	
5	11210HR6501PCY	CYLINDER COMP,FRONT (GT125)	1	
6	11141HG5110	GASKET,CYLINDER HEAD (GV125)	1	
7	11241HG5103	GASKET,CYLINDER(NA) (GV125)	1	
8	04213-11149	KNOCK PIN	2	
9	04213-11149	KNOCK PIN	2	
10	04213-11169	PIN,CYLINDER HEAD KNOCK (FX)	2	
11	11251HG510003S	FIN,CYLINDER (GT250)	1	
12	07110-05168	BOLT,REAR CARRIER	2	
13	11251HG510003S	FIN,CYLINDER (GT250)	1	
14	07110-05168	BOLT,REAR CARRIER	2	
15	08316-16068	NUT (GV650)	10	
16	01421-06258	STUD BOLT CYLINDER (GA)	4	

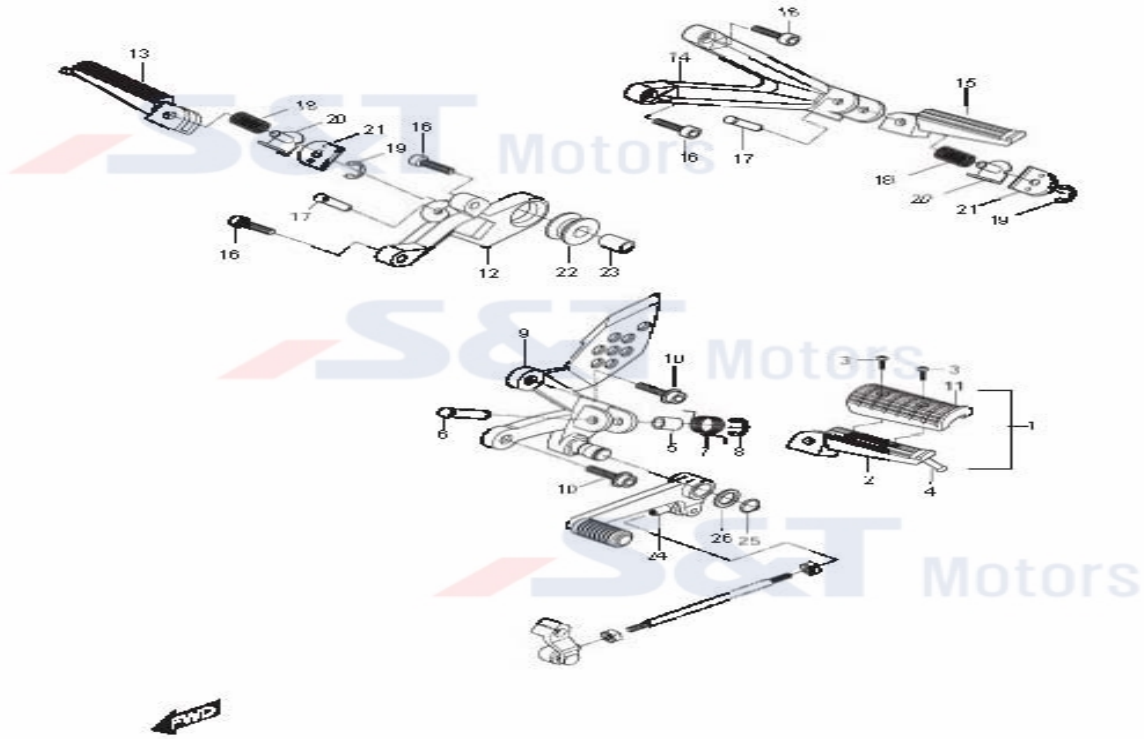
FIG 20



- 26 -

SEQ	PART CODE	PART NAME	U/S	REMARK
1	31800HG5100	RELAY ASSY'STARTING MOTOR (GV)	1	
2	08316-26066	NUT,REAR COMBI LAMP	2	
3	33840HM8101	LEAD WIRE,BATTERY PLUS (GT250)	1	
4	33850HM8100	LEAD WIRE,STARTER MOTOR(GT250)	1	
5	32800H01413	REGULATOR ASS'Y (TN,RG,GS)	1	
5-1	32800HN9110	RECTIFIER REGULATOR ASSY(GT650)	1	
5-2	32800HN9150	RECTIFIER REGULATOR (GV125CN)	1	[2011/9/6]
6	07110-06208	BOLT,FRONT FENDER LH (GD,GA-F)	2	
7	33410HG5100	COIL ASSY,IGNITION (GV)	2	
8	09128-06006	BOLT FUEL LEVEL GAUGE (GA)	4	
8-1	09128-06035	BOLT,FUEL COCK	4	
8-1-1	01517-06166	BOLT,STEERING LOCK (GV)	4	[2011/9/6]
9	33541-23E01	SEAL SPARK PLUG (GD)	2	
10	33510-05C01	CAP,SPARK PLUG (GV)	2	
11	33542-24D00	SEAL HIGH TENSION CORD (GSX)	2	
12	32900HM8102	C.D.I UNIT (GT125)	1	
13	38740HD8550	RELAY ASS'Y (GD250R)	1	

FIG 29

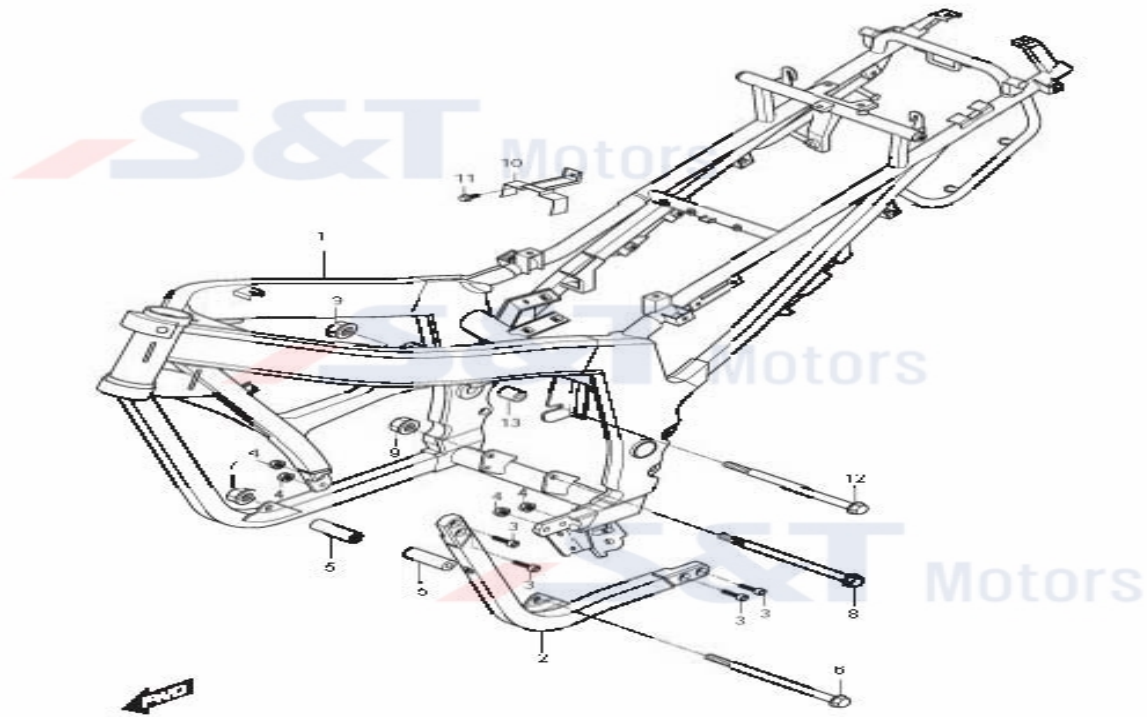


- 36 -

SEQ	PART CODE	PART NAME	U/S	REMARK
1	43571HC9701	FOOTREST,FRONT LH	1	
2	43571HM8100	FOOTREST BAR FRONT L (GT250)	1	
3	02112-05126	SCREW,FRONT FOOTREST (GT250)	2	
4	43533H30A40	BOLT,FRONT FOOTREST BAR (GT650)	1	
5	09180H08008	SPACER FRONT FOOTREST	1	
6	43579HM8101	PIN,FRONT FOOTREST (GT250)	1	
7	09448H14007	SPRING FRONT FOOTREST	1	
8	08332-11079	E-RING	1	
9	43540HN910103P	BRACKET COMP,FRONT FOOTREST L	1	
9-2	43540H9970103P	BRACKET,FRONT FOOTREST LH	1	
9-1	43540HN910103P	BRACKET COMP,FRONT FOOTREST L	1	
9-2	43540H9970103P	BRACKET,FRONT FOOTREST LH	1	
10	07120-08258	BOLT,GRIP HANDLE (GT250RN)	2	
11	43530H9970103P	BRACKET,FT FOOTREST (GT650RN)	1	
11-1	43530H9970103P	BRACKET,FT FOOTREST (GT650RN)	1	
12	43621H9970003P	BKT,PILLION F/REST R (GT650RN)	1	
12-1	43621H9970003P	BKT,PILLION F/REST R (GT650RN)	1	[2011/2/16]

13	43661HM8101	FOOTREST,PILLION R (GT250)	1
14	43721HM810403P	BRACKET,PILLION FOOTREST L(GT6)	1
14-1	43721H9970003P	BKT,PILLION,F/REST L (GT650RN)	1 [2011/2/16]
15	43671HM8101	FOOTREST PILLION L (GT250)	1
16	07110-08258	BOLT,FRAME JOINT	4
17	43679HM8101	PIN,PILLION FOOTREST (GT250)	2
18	09448H08008	SPRING,PILLION FOOTREST(GT250)	2
19	08332-11048	E-RING FRONT FOOTREST (GA)	2
20	43631HM8101	PLATE,PILLION STOPPER NO1(GT25	2
21	43641HM8101	PLATE,PILLION STOPPER NO2(GT25	2
22	09320-14015	CUSHION,MUFFLER SUPPORT	1
23	09180-10044	SPACER,MUFFLER SUPPORT	1
24	25600HM810003P	LEV ASSY,GR SHIFT CAM(L126)(GT	1 OLD ; NOT SALE
24-1	25600HM810103P	LEVER GEAR SHIFT CAM(L=148)(GT	1
25	08331-31159	CIRCLIP,KICK IDLE	1
26	09160H15002	WASHER,BRAKE PEDAL (GT250)	1

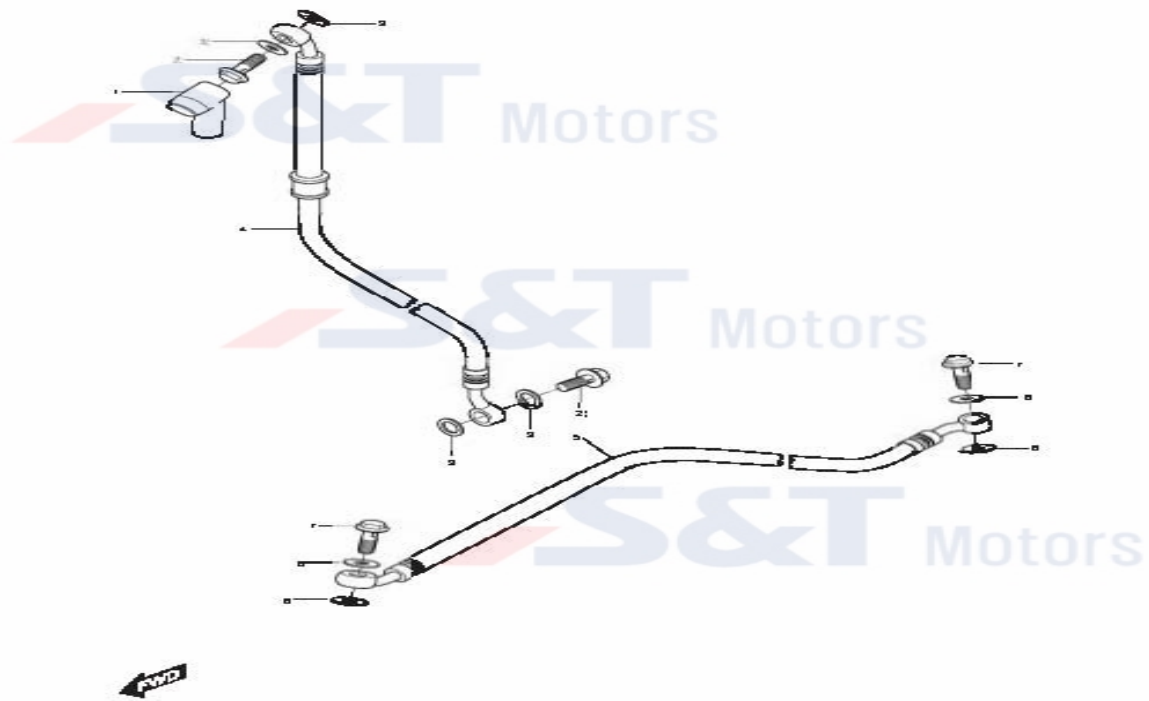
FIG 28



- 33 -

SEQ	PART CODE	PART NAME	U/S	REMARK
1	41100HM790103P	FRAME COMP (GT125)	1	
1-1	41100HR6500PAM	FRAME COMP (GT125AT)	1	8JP01
2	41151HM810103P	TUBE COMP,FRAME DOWN L NO.2(GT	1	
2-1	41151HM8101PAM	TUBE COMP,FM DOWN NO.2 (GT250	1	8JP01
3	07110-08258	BOLT,FRAME JOINT	4	
4	08316-16088	NUT,CYLINDER HEAD	4	
5	41161HM8100	SPACER,FRAME & E/G FRONT L=59	2	
6	09103H10099	BOLT,FM & E/G FRONT L=229(GT25	1	
7	08319-31106	NUT,BRACKET & CLAMP	1	
8	09103H10022	BOLT,CENTER STAND (GT250RN)	1	
9	08319-31106	NUT,BRACKET & CLAMP	1	
10	41320HM8100	PLT COMP,CDI (GT250)	1	
11	01517-06206	BOLT,FUEL COCK	1	
12	09103H10153	BOLT E/G M.T.G REAR (GT250RN)	1	
13	41171HM8100	SPACER,FRAME & E/G RR L=26(GT2	1	

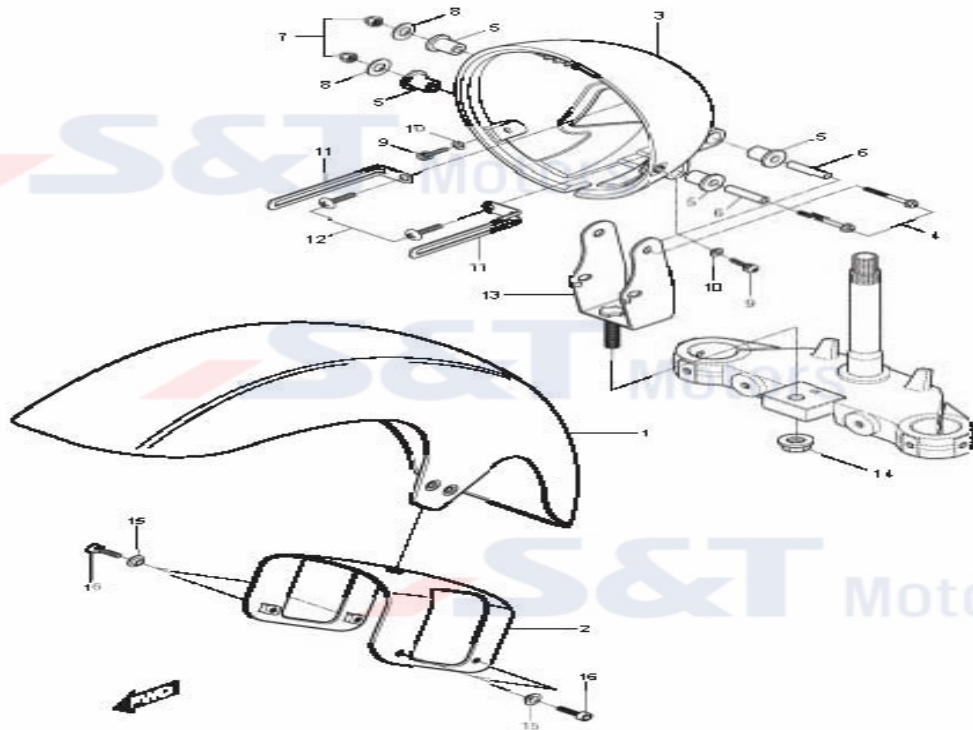
FIG 42



- 50 -

SEQ	PART CODE	PART NAME	U/S	REMARK
1	59711H49002	BOOT,MASTER CYLINDER (TN,GA,GD)	1	
2	09360-10039	BOLT BRAKE FLUID (AG)	2	
3	09161-10009	WASHER,BRAKE FLUID (FX)	4	
4	59480HM7903	HOSE COMP,FRONT BRAKE (GT125)	1	
5	69480HM8105	HOSE COMP,REAR BRAKE (GT650)	1	
6	09161-10009	WASHER,BRAKE FLUID (FX)	4	
7	09360-10039	BOLT BRAKE FLUID (AG)	2	
8	59266HJ8200	CLAMP,BRAKE HOSE NO.1 (GV250)	1	

FIG 38

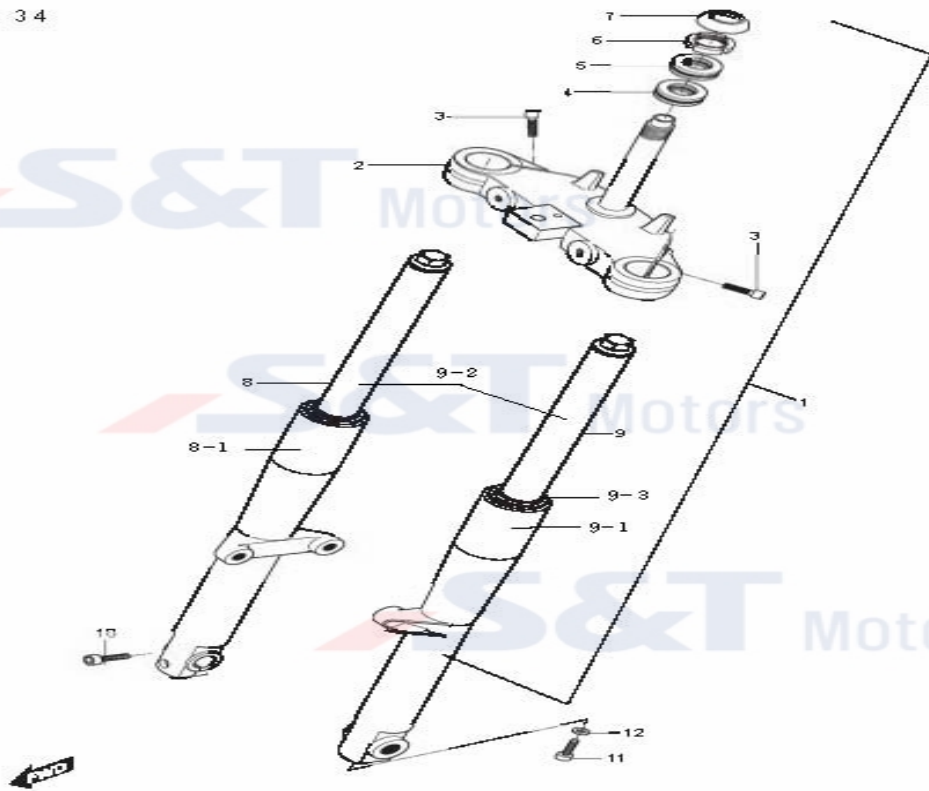


- 44 -

SEQ	PART CODE	PART NAME	U/S	REMARK
1	53111HM7900TMB	FENDER FRONT (GT125)	1	
1-1	53111HM7900TTR	FENDER FRONT (GT125)	1	
1-2	53111HM7900TMO	FENDER FRONT (GT125)	1	
2	53211HM7900	BRACE COMP FRONT FENDER(GT125)	1	
3	51811HM5400TAM	HOUSING HEAD LAMP UPPER (RT125)	1	
3-1	51811HM5450TAM	HOUSING,HEAD LAMP(GT125 MEU01)	1	
4	09103H06013	BOLT,HEAD LAMP HOUSING&BKT(GV)	2	
5	09320H09017	CUSHION,HEAD LAMP HOUSING (GV)	4	
6	09180H06034	SPACER (GV)	2	
7	08313-11066	NUT,HEAD LAMP HOUSING&BKT (GV)	2	
8	09160-06057	WASHER,HEADLAMP HOUSING&BKT(GV)	2	
9	02112-35168	SCREW,OIL PUMP	3	
9-1	02112-95208	SCREW	3	
10	09169-05008	WASHER,HANDLE COVER NO1	2	
11	09404-06405	CLAMP,WIRING HARNESS	2	
12	03241-05106	SCREW,HEAD LAMP HOUSING	2	

		CLA(GV	
13	51820HM7900	BRACKET COMP,HEADLAMP HOUS(GT)	1
13-1	51820HM7900	BRACKET COMP,HEADLAMP HOUS(GT)	1
14	08319-31106	NUT,BRACKET & CLAMP	1
15	09169-06302	NULL	4
16	02142-06166	SCREW,BATTERY HOLDER (GV)	4

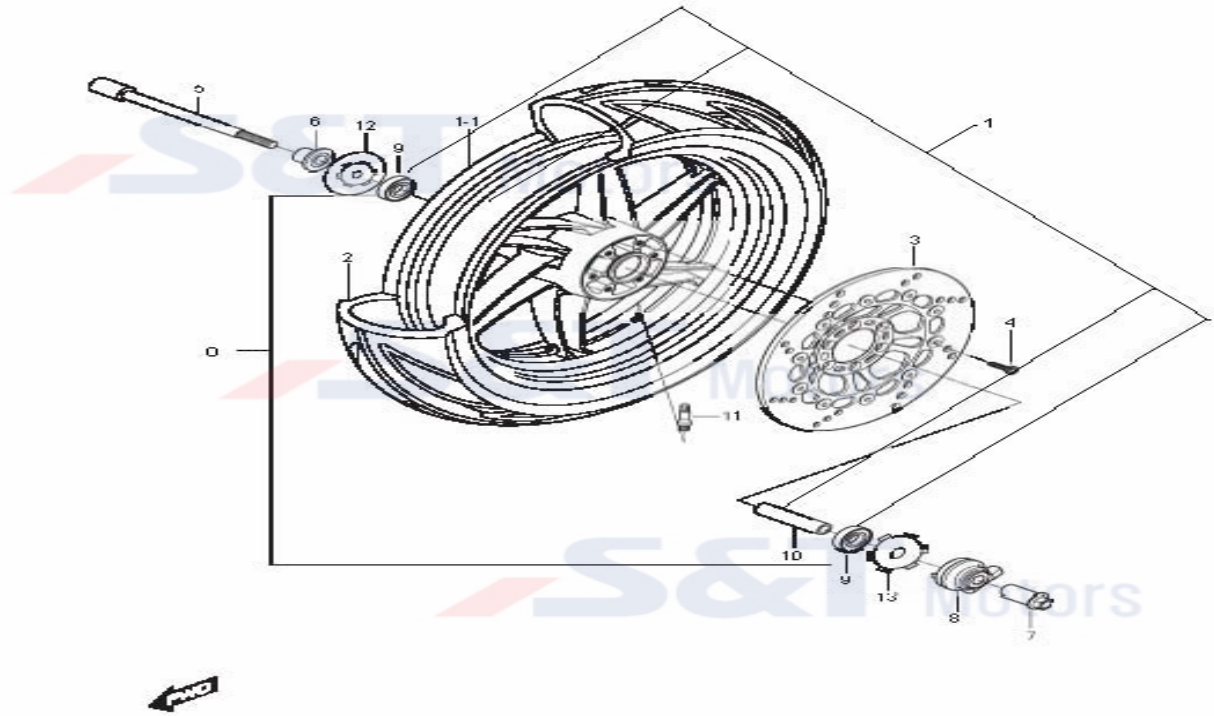
FIG 34



- 42 -

SEQ	PART CODE	PART NAME	U/S	REMARK
1	51100HM7900HPA	FRONT FORK ASS'Y (GT125)	1	
2	51410HM7900	BRACKET COMP UNDER (GT125)	1	
3	07110-08258	BOLT,FRAME JOINT	2	
4	09265H25001	BEARING,STEERING UPPER (RX)	1	
5	09265H28001	BEARING,STEERING LOWER (RX)	1	
6	51643HG5801	DUST SEAL,STEERING UPPER (RX)	1	
7	51631-28000	NUT,STEERING	1	
8	51210HM7900	DAMPER,FRONT FORK R (GT125)	1	MUST REPLACE BOTH SIDE 51210H96500 + 51220H96500
8-0	51210H96500	DAMPER,FRONT FORK R (GT125N)	1	11.2012~
8-1	51420HJ8200	CASE BOTTOM R (GV250)	1	
9	51220HM7900	DAMPER,FRONT FORK L (GT125)	1	MUST REPLACE BOTH SIDE 51210H96500 + 51220H96500
9-0	51220H96500	DAMPER,FRONT FORK L (GT125N)	1	11.2012~
9-1	51520HM7900	CASE BOTTOM L (GT125)	1	
9-2	51110-M7900	NULL	2	
9-3	51240-G5100	OIL SEAL (GV)	2	
10	07110-08358	BOLT,PILLION RIDER	1	
11	07110-08256	BOLT,FRONT FENDER (GV)	1	

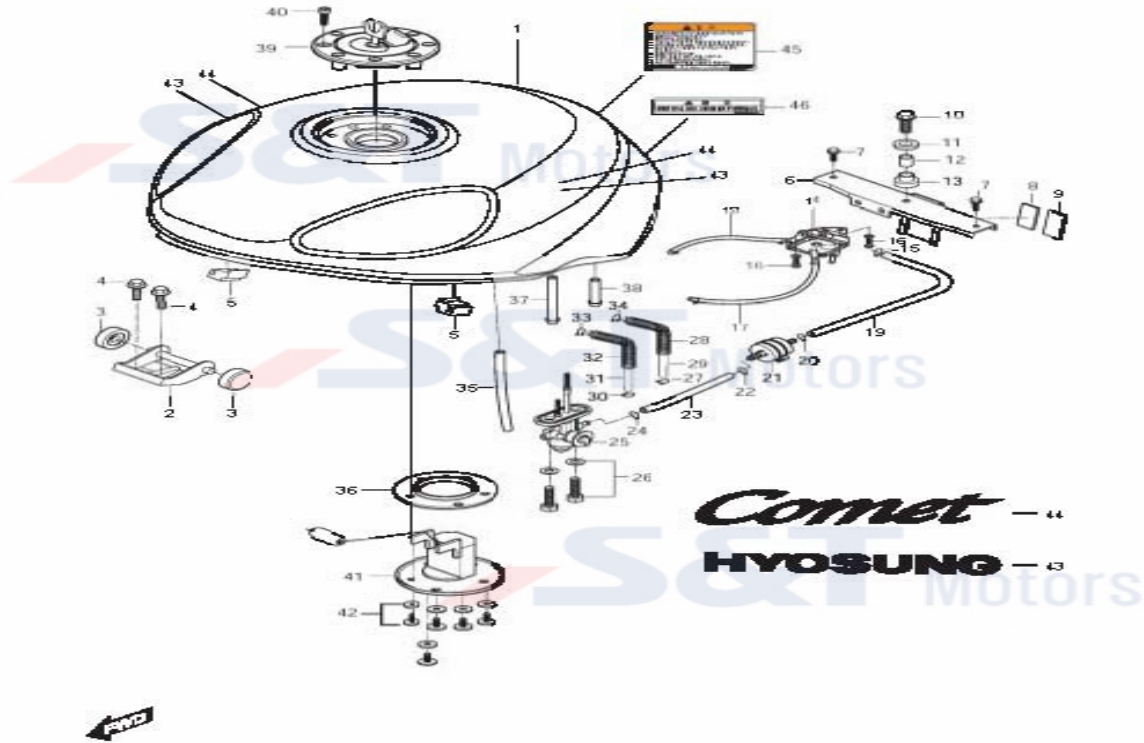
FIG 37



- 45 -

SEQ	PART CODE	PART NAME	U/S	REMARK
0	54140SM8100HPA	FT WHEEL+TIRE ASS'Y (GT250)	1	
1	54140HM8100HPA	WHEEL,FRONT ASS'Y (GT250)	1	
1-1	54140SM8102120	WHEEL COMP,FRONT (GT250)	1	8JP01
1-1	54141HM8102	WHEEL,FRONT(J7*MT3.00) (GT125)	1	
1-2	54141HM8103120	WHEEL FRONT(J7*MT3.00) (GT250)	1	=54141HM8102120
2	55101HM8100	TIRE SET,FRONT (GT250)	1	
3	59211HM8101	DISK COMP,FRONT LH (GT250)	1	
4	59421-03A01	BOLT,FRONT BRAKE DISK (SBS)	6	
5	54711HG5101	AXLE,FRONT (GV)	1	
6	54750HG5100	SPACER COMP,FRONT AXLE L(GV125)	1	
7	54721HM8100	NUT,FRONT AXLE (GT250)	1	
7-1	54721HM8102	NUT,FRONT AXLE (GT250)	1	~00 =X=~02, ~02=>~01
8	54600HG5102	BOX SPEEDOMETER GEAR (GV)	1	
9	08124-63027	BEARING FRONT HUB R/L (GV)	2	
10	54731HM8100	SPACER (GT250)	1	
11	55220-29C20	VALVE ASS'Y	1	
12	54890HM8100	COVER,FRONT WHEEL (GT250)	1	
13	54690HM8101	COVER,SPEEDOMETER (GT250)	1	

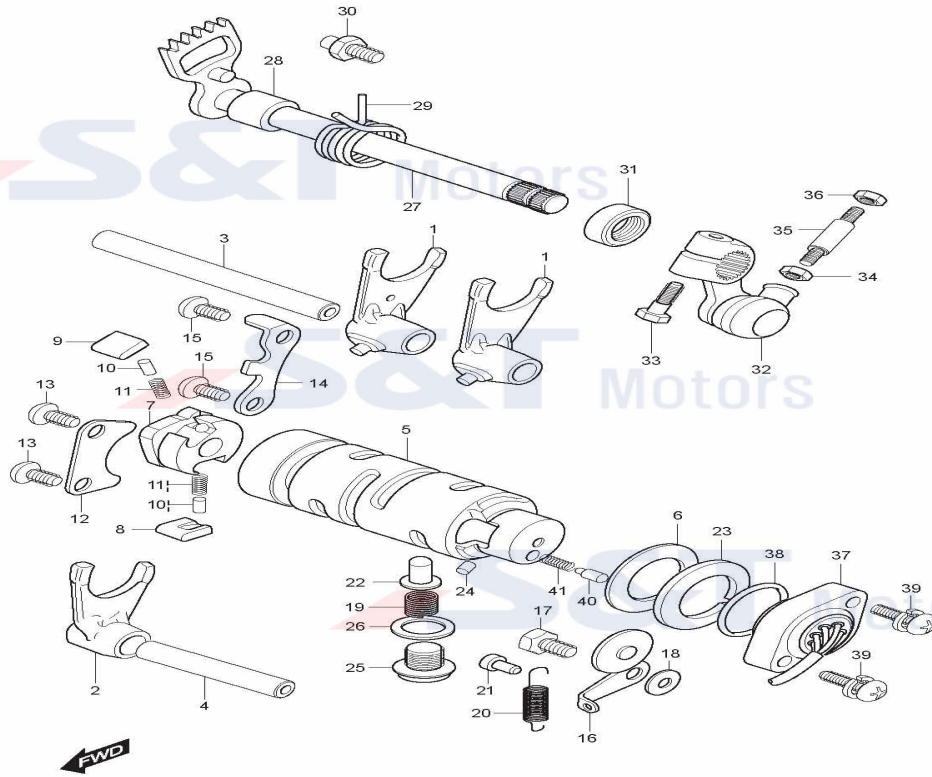
FIG 30



SEQ	PART CODE	PART NAME	U/S	REMARK
1	44110HM8102CMB	FUEL TANK COMP (GT250)	1	MIDNIGHT BLACK
1-1	44110HN9120CTR	FUEL TANK□□□□ (GT125)	1	PEARL, TWINKLE RED
1-2	44110HN9120CMO	FUEL TANK□□□□ (GT125)	1	MANGO YELLOW
2	44520HM8100	BRACKET COMP,FUEL TANK FT(GT25	2	
3	09329-10007	CUSHION	2	
4	01517-06206	BOLT,FUEL COCK	2	
5	09329H28001	CUSH,FUEL TANK SIDE (GT250)	1	
6	44530HM8101	BRACKET,FUEL TANK REAR (GT250	2	
7	01517-06206	BOLT,FUEL COCK	1	
8	44613HE7100	CUSHION,OIL TANK NO.2 (EZ)	1	
9	44218HF4500	CUSHION BATTERY REAR (GPS)	1	
10	09116H08078	BOLT FUEL TANK REAR (GA)	1	
11	09320H14013	CUSHION F/TANK REAR UPPER (GA	1	
12	09180H08007	SPACER FUEL TANK REAR (GA)	1	
13	09320H10020	CUSHION FUEL TANK RR LOW (GA	1	
14	15100HG5100	PUMP ASSY,FUEL MODULE (GT125)	1	
15	09401H11401	CLIP,INLET HOSE	1	
16	02112-06166	SCREW,RECTIFIER	2	

17	15831HG2603	HOSE,FUEL NO2 (SF)	1 =15831HG2602
18	15831HK2700	HOSE,FUEL NO2 (SF50B)	1
19	44199HM7900	HOSE,STRAINER OUTLET(L=153)(GT	1
20	09401-10401	CLIP,FUEL HOSE	1
21	44910HG2600	STRAINER COMP,FUEL (SF)	1
22	09401-08401	CLIP,FUEL HOSE (GPS)	1
23	44196HE6100	HOSE,OUTLET NO1 L=70 (FX)	1
24	09401-08401	CLIP,FUEL HOSE (GPS)	1
25	44300HM8150	COCK ASS'Y,FUEL (GT250)	1
26	09128-06035	BOLT,FUEL COCK	1
26	09168-06010	GASKET FUEL LEVEL GAUGE (GA)	1
27	09401-08401	CLIP,FUEL HOSE (GPS)	2
28	09440-10019	SPRING,OUTLET NO2 HOSE (EZ)	1
29	44196HE6100	HOSE,OUTLET NO1 L=70 (FX)	1
30	09401-08401	CLIP,FUEL HOSE (GPS)	1
31	44195HM8100	HOSE,FUEL RESERVE (GT250)	1
32	09440-10009	SPRING,OUTLET NO.1 HOSE (EZ)	1
33	09401-10401	CLIP,FUEL HOSE	1
34	09401-10401	CLIP,FUEL HOSE	1
35	09352H70103650	HOSE,FUEL TANK (GV)	1
36	44118-01D30	PLATE FUEL TANK INLET (GD)	1
37	44323HM8100	FILTER,FUEL ON (GT250)	1
38	44322HE7100	FILTER,FUEL TANK (EZ)	1
39	44200H35C30	CAP,FUEL TANK FILL (GT125)	1
40	09106-05017	BOLT F/TANK FILLER CAP (GT250R)	4
41	34810HM8102	GAUGE ASSY,FUEL SENDER (GT250)	1
42	01134-05106	BOLT,FUEL GAUGE	5
43	68120HM810003P	EMBLEM, HYOSUNG □ (GT250)	2
43-1	68120HN910003P	EMBLEM,FUEL TANK("HYOSUNG")	2 8JP01
44	68130HM8100015	EMBLE,COMET (GT250)	2 PURE WHITE No.1
44-1	68130HS650003P	EM,S/COVER GT125 (GT125AT)	2 8JP01
45	68319H05351PL	LABEL,CAUTION□□GT/GV/RT/RX	1
46	68360HG5100PL	LABEL,SIDE STAND (GV)	1

FIG 16

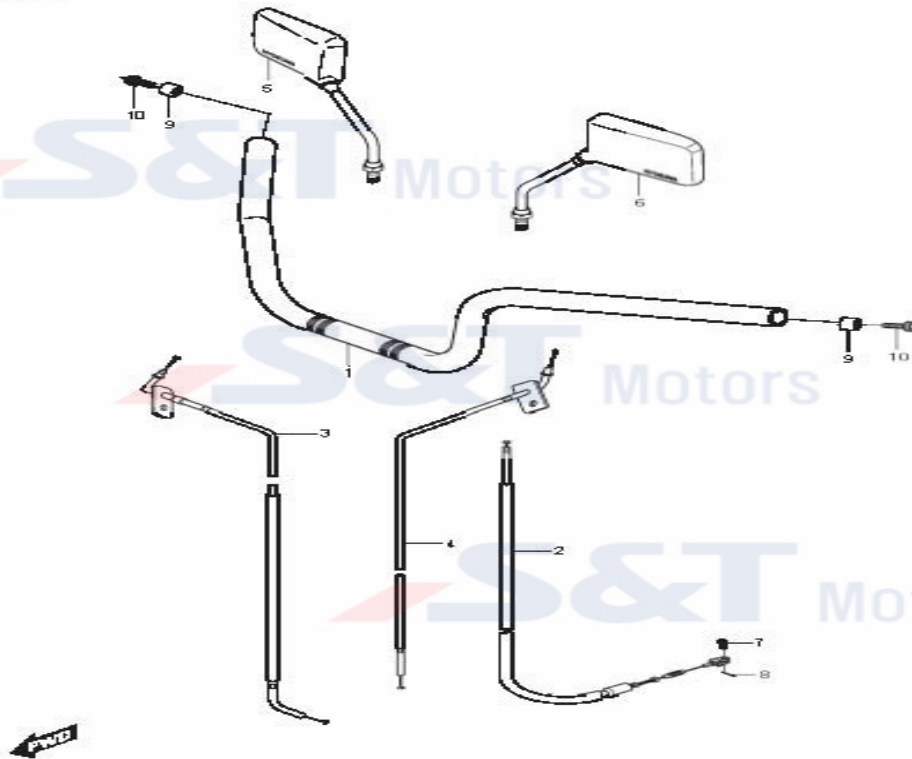


- 21 -

SEQ	PART CODE	PART NAME	U/S	REMARK
1	25211-05200	FORK,GEAR SHIFT NO1(TN,RG,GS)	2	
2	25231-05201	FORK,GEAR SHIFT NO3(TN,RG,GS)	1	
3	25411-05201	SHAFT GEAR SHIFT FORK NO1	1	
4	25421-35403	SHAFT SHIFT FORK (GV250N)	1	
5	25310HG5100	CAM COMP,GEAR SHIFT (GT125)	1	
6	08211-25401	WASHER,GEAR SHIFT CAM	1	
7	25322-31301	GEAR,SHIFT CAM DRVN(TN,RG,GS)	1	
8	25323-34201	PAWL,GEAR SHIFT NO1(TN,RG,GS)	1	
9	25324-34201	PAWL,GEAR SHIFT NO2(TN,RG,GS)	1	
10	09261-05003	PIN,GEAR SHIFT	2	
11	09440-04003	SPRING,GEAR SHIFT PLATE	2	
12	25331-30000	LIFTER,GEAR SHIFT (TN,RG,GS)	1	
13	02122-06128	SCREW,OL GR SH	2	
14	25341HG5100	GUIDE,GEAR SHIFT CAM (GV)	1	
15	02122-06128	SCREW,OL GR SH	2	
16	25350HG5100	STOPPER,GEAR SHIFT CAM (GV)	1	
17	09111-06019	BOLT,GEAR SHIFT CAM STOP	1	
18	08211-06141	WASHER,GEAR SHIFT CAM	1	

19	09440H11020	SPRING,GEAR SHIFT CAM STOPP(GV	1
20	09443H08044	SPRING,GEAR SHIFT CAM STOPPER	1
21	09223-04001	HOOK,GEAR SHIFT CAM	1
22	25351-30010	STOPPER,GEAR SHIFT CAM N.	1
23	25381-45400	PLATE,GEAR SHIFT CAM STOPPER	1
24	04221-04069	PIN,GEAR SHAFT CAM	1
25	09247-14026	PLUG,BOLT	1
26	09168H14003	GASKET,OIL CHECK PLUG (SB)	1
27	25510HG5101	SHAFT COMP,GEAR SHIFT (GV250)	1
28	09180-12068	SPACER,SHAFT GEAR SHTG	1
29	09444-26013	SPRING	1
30	25671-01000	STOPPER,GR SHIFT	1
31	09285-12002	OIL SEAL,GEAR SHIFT (GV250)	1
32	25520-32C00	ARM COMP,G/SHIFT LINK (GD)	1
33	01107-06208	BOLT,GEAR SHIFT	1
34	08310-11068	NUT	1
35	25525HM8100	ROD,GR SHIFT LINK(L=126)(GT125)	1
36	09140-06011	NUT,GR SHIFT LINK LH	1
37	37720HG5151	SWITCH ASS'Y,GEAR SHIFT (GV)	1
38	09280-26003	O/RING,GEAR SHIFT SWITCH	1
39	02112-95208	SCREW	2
40	09209-05011	CONTACT,GEAR S SWITCH	1
41	09440-04010	SPRING,GEAR SWITCH	1

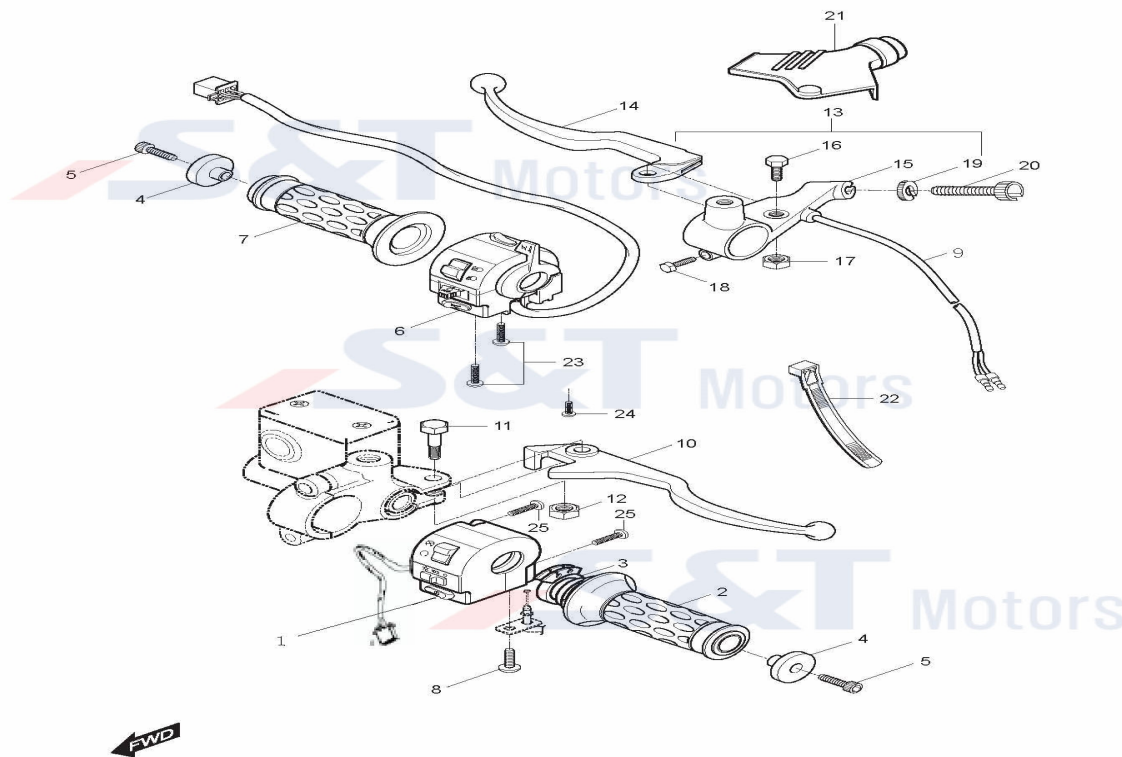
FIG 38



- 46 -

SEQ	PART CODE	PART NAME	U/S	REMARK
1	56110HM8103WED	HANDLE BAR (GT250)	1	
2	58200HM8101	CABLE ASS'Y,CLUTCH (GT250)	1	cor.; 58200H98100
2-1	58200H98100	CABLE ASS'Y,CLUTCH (GT250N)	1	
3	58300HM8102	CABLE ASS'Y,THROTTLE (GT250)	1	
4	58410HM8102	CABLE COMP,STARTER (GT120)	1	
5	56500HM5450	MIRROR ASS'Y,REAR VIEW R(GT125)	1	
6	56600HM5450	MIRROR ASS'Y,REAR VIEW L(GT125)	1	
6-1	56501HM5450	MIRROR SET□□□ (RT125)	1	
7	09200-06004	PIN,CLUTCH	1	
8	04111-20158	COTTER PIN	1	
9	56271HF4501PLT	BALANCER HANDLE BAR (GPS)	2	
10	07110-08208	BOLT,ENGINE MOUNT FRONT (GA)	2	

FIG 39

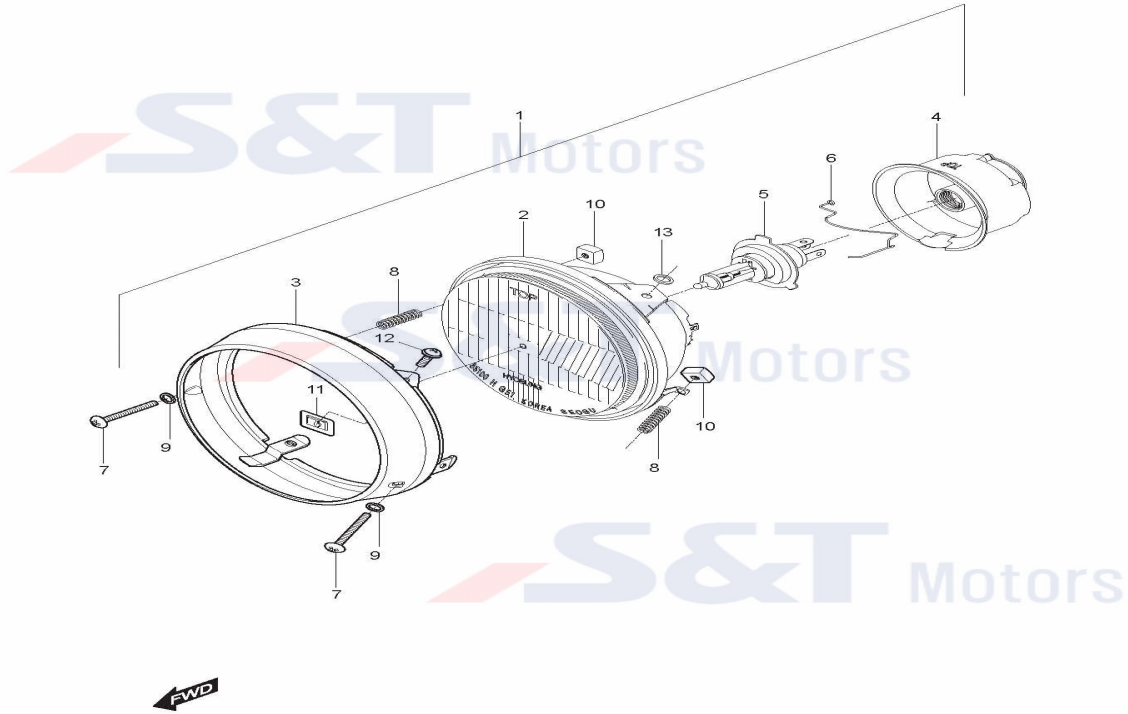


- 46 -

SEQ	PART CODE	PART NAME	U/S	REMARK
1	37200HM8100	SWITCH ASS'Y,HANDLE R (GT250)	1	
2	57110HG5803	GRIP COMP,THROTTLE (RX)	1	
3	57113H93B00	COVER,THROTTLE GRIP	1	
4	56271HF4501PLT	BALANCER HANDLE BAR (GPS)	2	
5	07110-08208	BOLT,ENGINE MOUNT FRONT (GA)	2	
6	37400HM8100	SWITCH ASS'Y,HANDLE L (GT250)	1	
7	57211HG5800	GRIP, LH (RX)	1	
8	02112-05105	SCREW,FRONT FORK COVER	1	
9	57460-17C00	SWITCH ASS'Y STOP (AG,SB)	1	
10	57421HN3202	BRAKE LEVER (GT250)	1	
11	57431H05D00	SCREW BRAKE LEVER PIVOT(GT250P)	1	
12	08319-21065	NUT,BRAKE LEVER	1	
13	57500HM8121	LEVER ASS'Y,CLUTCH (GT250)	1	
14	57620HM8100	LEVER CLUTCH (GT250)	1	
15	57511HJ8200	NULL	1	
16	57431H05D00	SCREW BRAKE LEVER PIVOT(GT250P)	1	
17	08319-21068	NUT,BRAKE LEVER	1	

18	57451H93B00	CROWN BOLT (GA)	1
19	57442H93B00	LOCK NUT	1
20	57441H93B00	WIRE ADJUSTER (GA)	1
21	57661HN9100	COVER,REAR BRAKE LEVER (SF50R)	1
22	09407-14403	CLAMP,STRNINER(125MM) (EZ)	2
23	02112-05485	NULL	2
24	02112-05105	SCREW,FRONT FORK COVER	1
25	02112-05205	SCREW,LICENSE LAMP (GT650RN)	2 cor. 02112-05208
25-1	02112-05208	SCREW,CARBURETOR INSPECTIO CAP	2
26	57460-17C00	SWITCH ASS'Y STOP (AG,SB)	1
27	02112-74108	SCREW	1

FIG 22-1

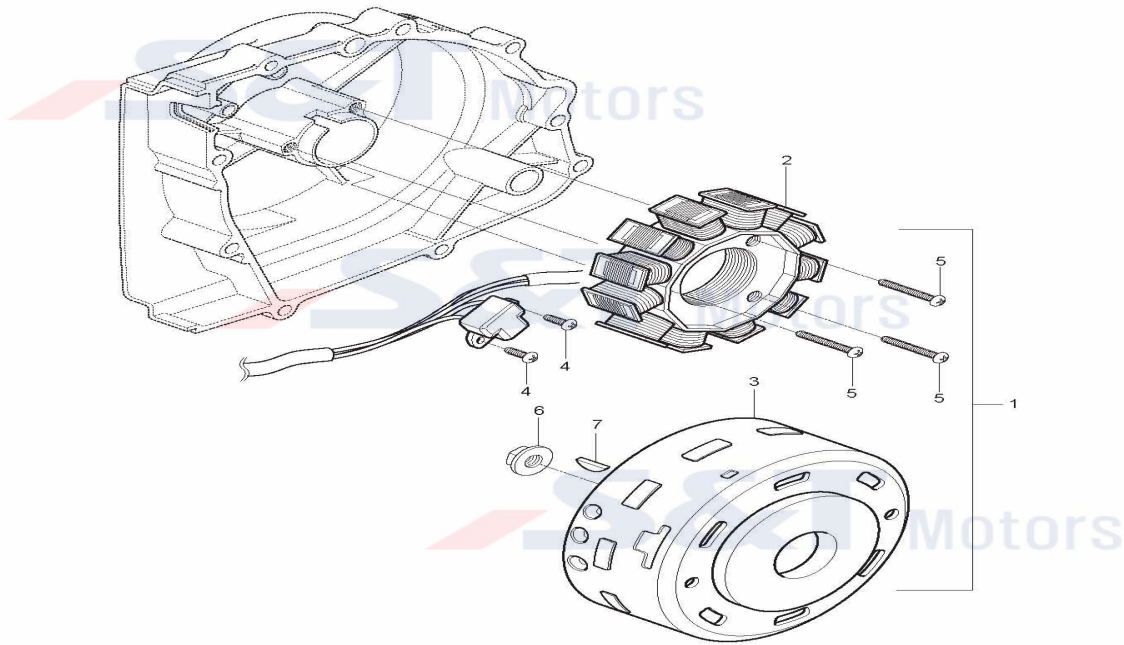


- 28 -

SEQ	PART CODE	PART NAME	U/S	REMARK
1	35100HG5100	HEAD LAMP ASS'Y(12V 35/35W)(GV	1	
1-1	35100HM8171	HEAD LAMP ASSY (GT250 NUS	1	
1-2	35100HM8102	HEAD LAMP COMP (GT250)	1	
1-3	35100HM8162	HEAD LAMP ASS'Y (GV250)	1	8JP01
2	35120HG5100	REFLECTOR COMP (GV125	1	
2-1	35120HM8100	REFLECTOR,H/LAMP(□□)(GT2	1	
3	35111HM8100	RIM,HEAD LAMP (GT250)	1	For 35100HM81** only
4	35173H93B00	COVER,HEAD LAMP	1	
5	35160HM8150		1	
6	09471H12103	BULB,HEAD LAMP(12V H4 60/55W)	1	
7	09471-12110	BULB,POSITION LAMP(12V W5W)(GA	1	
7-1	09471H12110	BULB,POSITION LAMP (12V 5W)	1	[2011/3/4]
8	35175H93B00	SPRING,BULB SOCKET (GT250)	1	
9	35151HG5800	SCREW,HEAD LAMP AIMING (RX)	2	
10	35154-48510	SPRING,HEAD LAMP	2	
11	35128H93B00	WASHER,AMMING (GV125)	2	
12	35152-48510	NUT,HEAD LAMP	2	
13	35135-12610	NUT,HEAD LAMP	1	

14	02112-05088	SCREW,MAGNET INSPECTION	2
15	35136HG5800	WASHER,AIMMING (GV125)	2

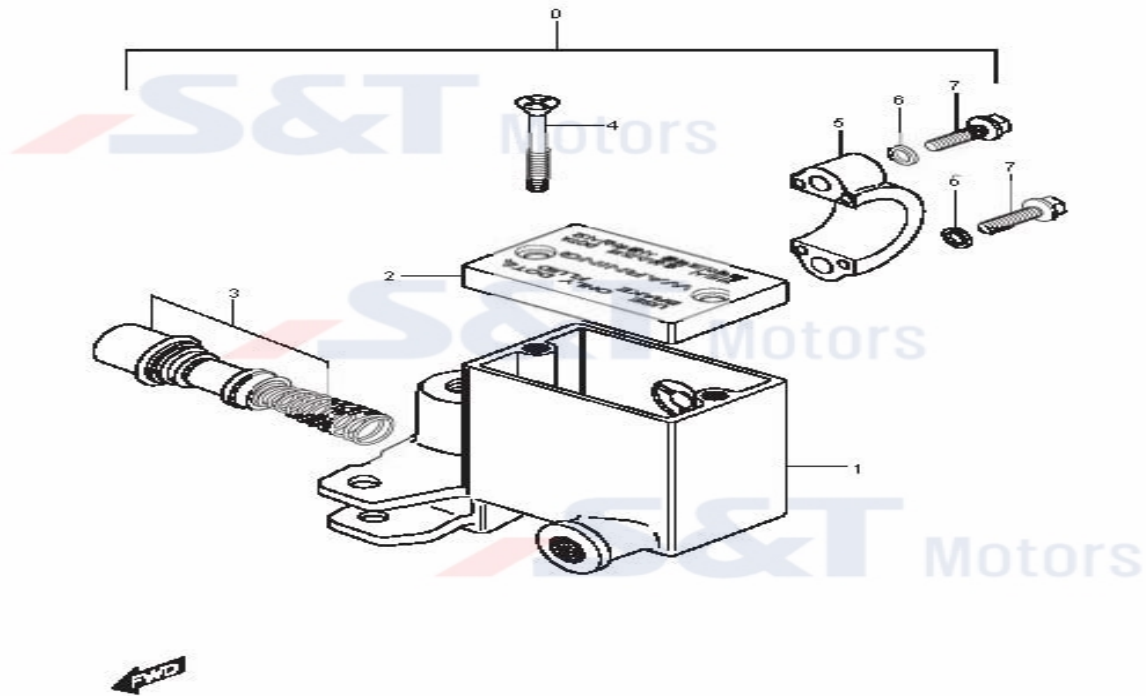
FIG 18



- 24 -

SEQ	PART CODE	PART NAME	U/S	REMARK
1	32100HG5100	MAGNETO ASS'Y (GV)	1	
1-1	32100HG5102	MAGNETO ASS'Y (GT125RC)	1	December. 2013~
1-1-1	32102HG5101	ROTOR (GT125RC)	1	December. 2013~
1-1-2	32101HG5102	STATOR (GT125RC)	1	December. 2013~
2	32101HG5100	STATOR (GV)	1	
3	32102HG5100	ROTOR MAGNETO ASS'Y (GV125)	1	
4	02112-05128	SCREW,GEAR SHIFT SWITCH	2	
5	02112-05258	SCREW,ENGINE SPROCKET COVER	3	
6	08316-26128	NUT,MAGNET FLY	1	
7	08341-31039	KEY,PRIMARY GEAR MAG	1	

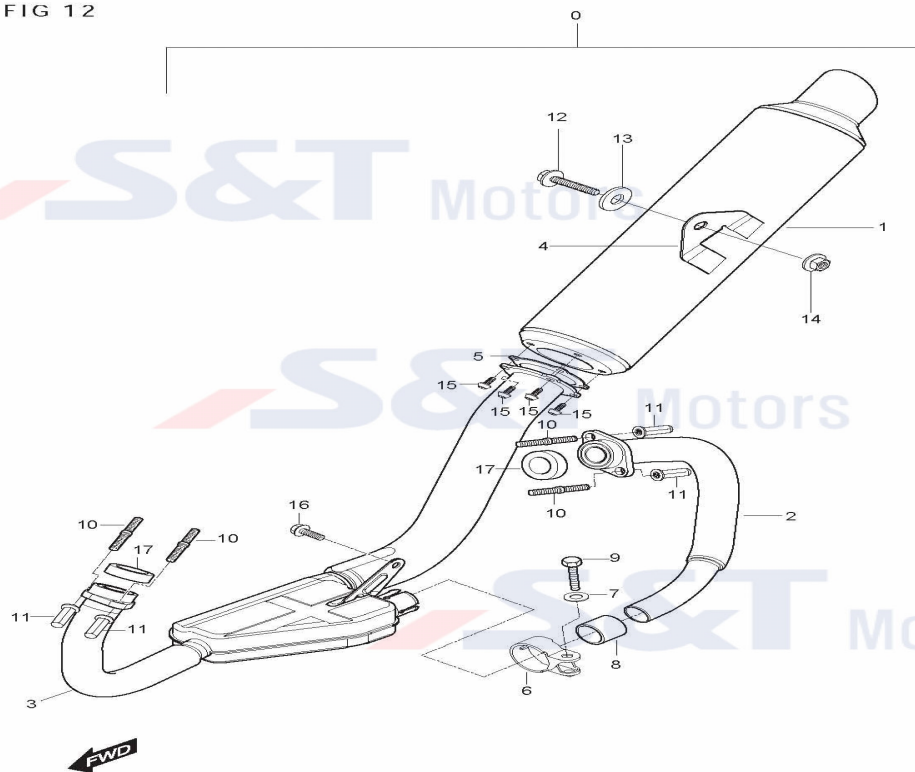
FIG 41



- 49 -

SEQ	PART CODE	PART NAME	U/S	REMARK
0	59600-35C06	CYL ASS'Y,FRONT MASTER (GT)	1	
1	59687-35C00	BODY (GD)	1	
2	59669-36510	CAP,RESERVIOR (GD)	1	
3	59600-36810	PISTON CUP SET (GS)	1	
4	59691-35C00	SCREW (GD)	2	
5	59671-35C00	HOLDER (GD)	1	
6	01107-35C00	BOLT (GD)	2	

FIG 12

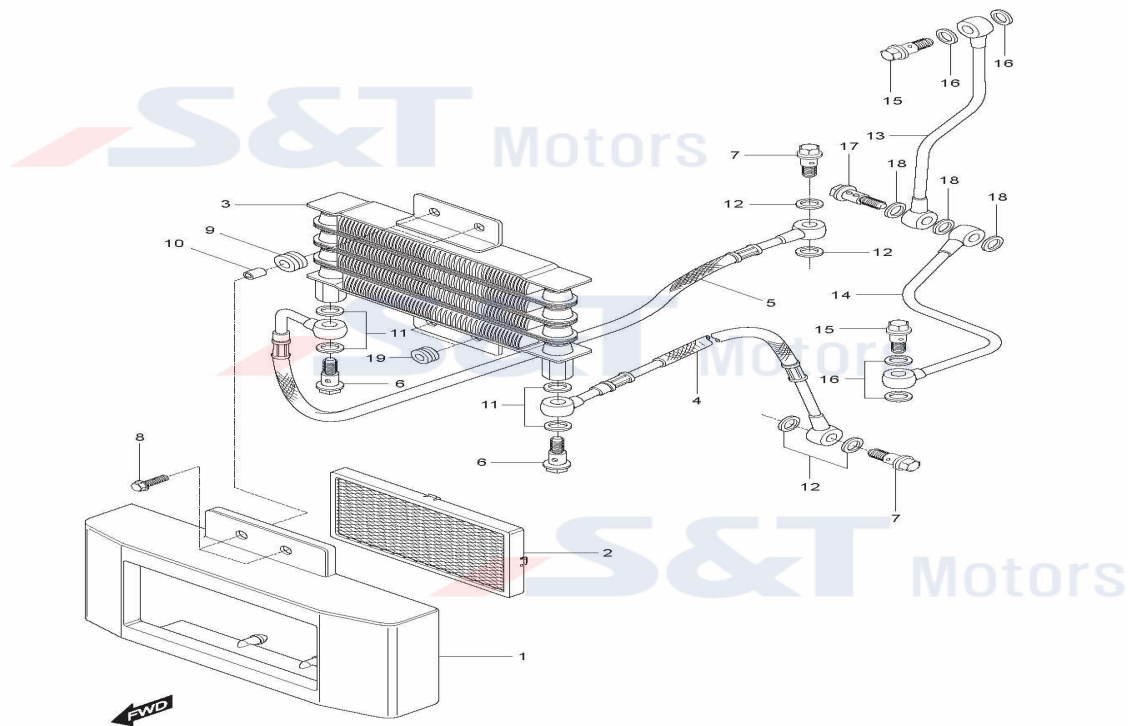


- 16 -

SEQ	PART CODE	PART NAME	U/S	REMARK
0	14305HM7903PAH	MUFFLER ASS'Y (GT125)	1	
1	14305HM7903PLA	BODY COMP,MUFFLER (GT125)	1	
2	14160HM7901PAM	PIPE COMP,EXHAUST REAR (GT125)	1	
3	14150HM7902PAM	PIPE COMP,EXHAUST FRONT(GT125)	1	
3-1	14150HM7970WMF	PIPE COMP,EXHAUST FRONT (GT12	1	
4	14411HM8100	BRACKET,MUFFLER SUPPORT(GT250)	1	
5	14314HM8110	GASKET,CONNECTOR FLANGE(GT125)	1	
6	14770HG5101PAM	CONNECTOR EXHAUST PIPE (GV)	1	
7	09160-10001	WASHER,SORBER	1	
8	14773HG5101	GASKET,CONNECTOR (GV)	1	
9	01137-08358	BOLT,MUFFLER SUPPORT	1	
10	01421-08258	STUD BOLT,EXHAUST PIPE (FX)	4	
11	09143H08001	NUT,EXHAUST PIPE (GV)	4	
12	07110-10358	BOLT,MUFFLER SUPPORT	1	
13	09160-10102	WASHER,MUFFLER SPORT	1	
14	08316-26108	NUT,MAGNET FLY WHEEL (SD)	1	
15	09119H06002	BOLT (GV)	4	

16	01137-08168	BOLT,PROP STAND SPRING	1
17	14181-46E00	GASKET EXHAUST PIPE (GSX)	2

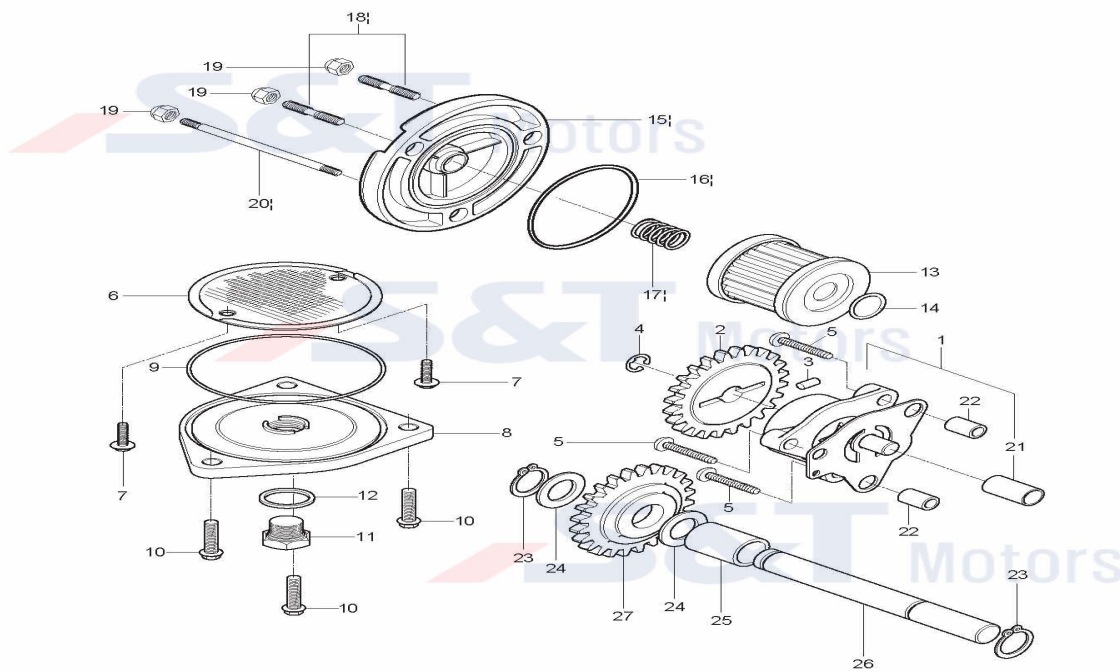
FIG 3



- 4 -

SEQ	PART CODE	PART NAME	U/S	REMARK
1	16810HG5104	GRILLE,OIL COOLER NO.1 (GV)	1	
2	16820HG5103	GRILLE,OIL COOLER NO.2 (GV)	1	
3	16600HG5102	COOLER ASS'Y,OIL (GV)	1	
4	16460HM7900	HOSE,OIL COOLER NO.1 (GT125)	1	
5	16470HG5101	HOSE COMP,OIL COOLER NO2 (GV)	1	
6	09360H12007	BOLT UNION (GA)	2	
7	09360H10034	BOLT UNION (GF)	2	
8	09116-06010	BOLT REAR COMBI BRACKET (GSX)	2	
9	09320-08013	CUSHION,CHAIN CASE INNER (GV)	2	
10	09180-06030	SPACER	2	
11	09161-10009	WASHER,BRAKE FLUID (FX)	4	
12	09168-14011	GASKET (GT250)	4	
13	11280HG5101	PIPE COMP,OIL FRONT (GV)	1	
14	11290HG5101	PIPE COMP,OIL GEAR (GV)	1	
15	09360H10034	BOLT UNION (GF)	2	
16	09161-10009	WASHER,BRAKE FLUID (FX)	4	
17	15331HG5101	UNION BOLT,OIL PIPE LOWER (GV)	1	
18	09161-10009	WASHER,BRAKE FLUID (FX)	3	

FIG 13

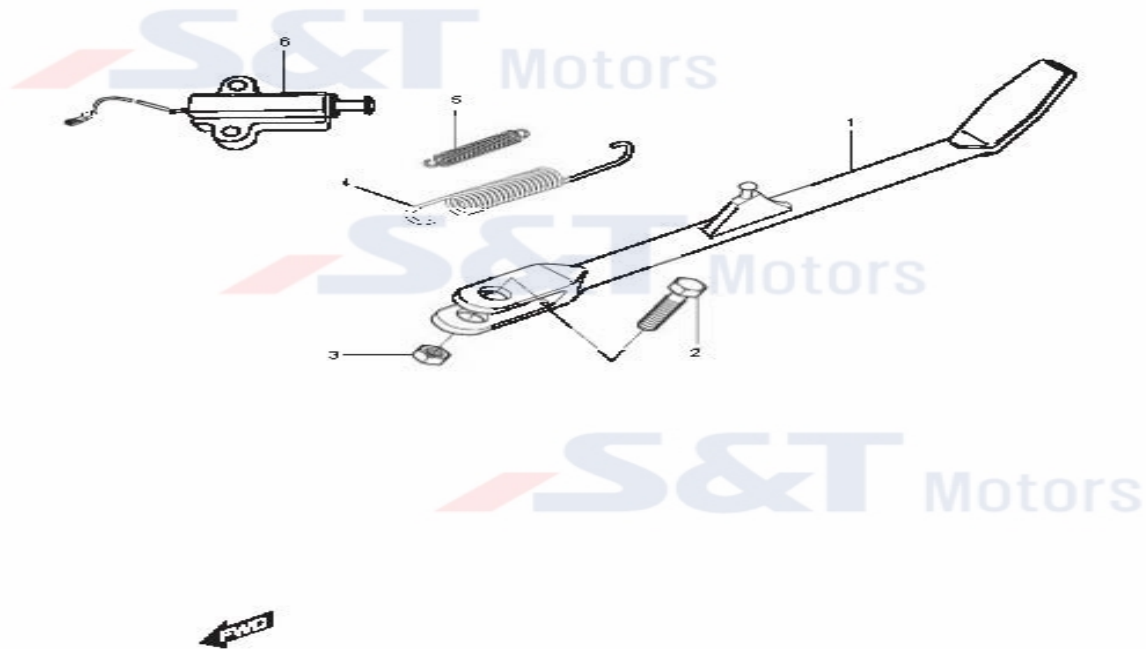


- 1 / -

SEQ	PART CODE	PART NAME	U/S	REMARK
1	16400HG5103	PUMP ASS'Y, OIL (GD250N)	1	
2	16331HG5102	GEAR,OIL PUMP DRVN (GV)	1	
3	09261-02001	PIN,OIL PUMP	1	
4	08332-11069	CIRCLIP,OIL PUMP DRIVE GEAR	1	
5	02112-06258	SCREW (GV650)	3	
6	16520-05202	STRAINER,ENG OIL	1	
7	02112-95126	SCREW,ENGINE OIL STATER	2	
8	16523-05200	CAP,OIL STRAINER	1	
9	09280-60005	O/RING,OIL STRAINER CAP	1	
10	01547-06208	BOLT,OIL STRAINER CAP	3	
11	09247-14019	PLUG,OIL DRAIN (GT650)	1	
12	09168H14003	GASKET,OIL CHECK PLUG (SB)	1	
13	16510-05240HAS	FILTER,ENGINE OIL (TN,RG,GS)	1	
14	09280-13004	O/RING,OIL FILTER	1	
15	16512HG510003S	CAP,OIL FILTER (GT250)	1	
16	09280-54001	O/RING,OIL FILTER CAP	1	
17	09440-18002	SPRING,OIL FILTER CAP	1	
18	01421-06128	STUD BOLT,OIL FIL	2	

19	08313-11068	NUT	3
20	01421-06658	BOLT (GV)	1
21	16419HG5100	BUSH,OIL PUMP (GV)	1
22	09206-08001	PIN,MAGNET COVER (GT&GV)	2
23	08331-31109	CIRCLIP (GV)	2
24	08211-10181	WASHER (GV)	2
25	09180H10022	SPACER,OIL PUMP IDLE GEAR (GV)	1
26	16451HG5101	SHAFT,OIL PUMP IDLE GEAR (GV)	1
27	16431HG5104	GEAR,OIL PUMP IDLE (GV)	1

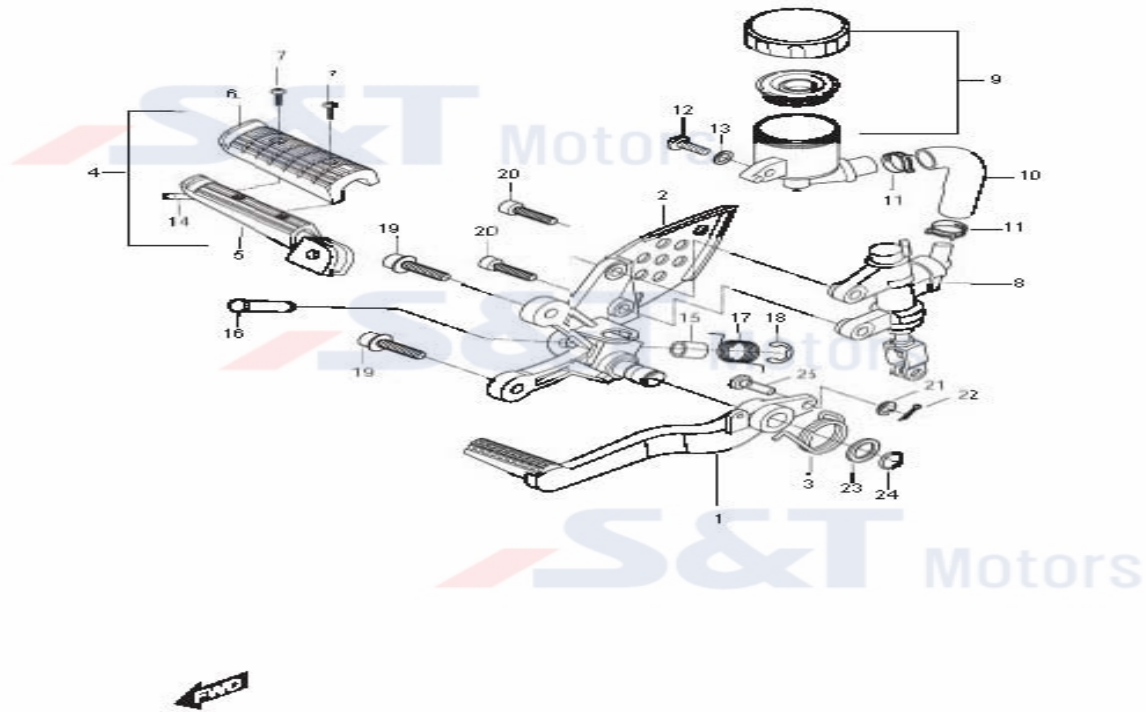
FIG 27



- 34 -

SEQ	PART CODE	PART NAME	U/S	REMARK
1	42310HN910003P	STAND COMP,PROP (GT650)	1	
1-1	42310HN915003P	STAND COMP,PROP (GT250)	1	8JP01
1-1	42310HN910003P	STAND COMP,PROP (GT650)	1	
2	09100-10031	BOLT,PROP STAND (GT250RN)	1	
3	08310-22106	NUT,PROP STAND (GV)	1	
4	09443-15047	SPRING,CENTER STAND	1	
5	09443-06001	SPRING,PROP STAND INN(SB-FN02)	1	
6	37840HM8100	SWITCH ASSY,SIDE STAND (GT250)	1	
6-1	37840HM8100	SWITCH ASSY,SIDE STAND (GT250)	1	
7	01517-06205	BOLT,SPORT CARRIER (FX)	2	

FIG 28

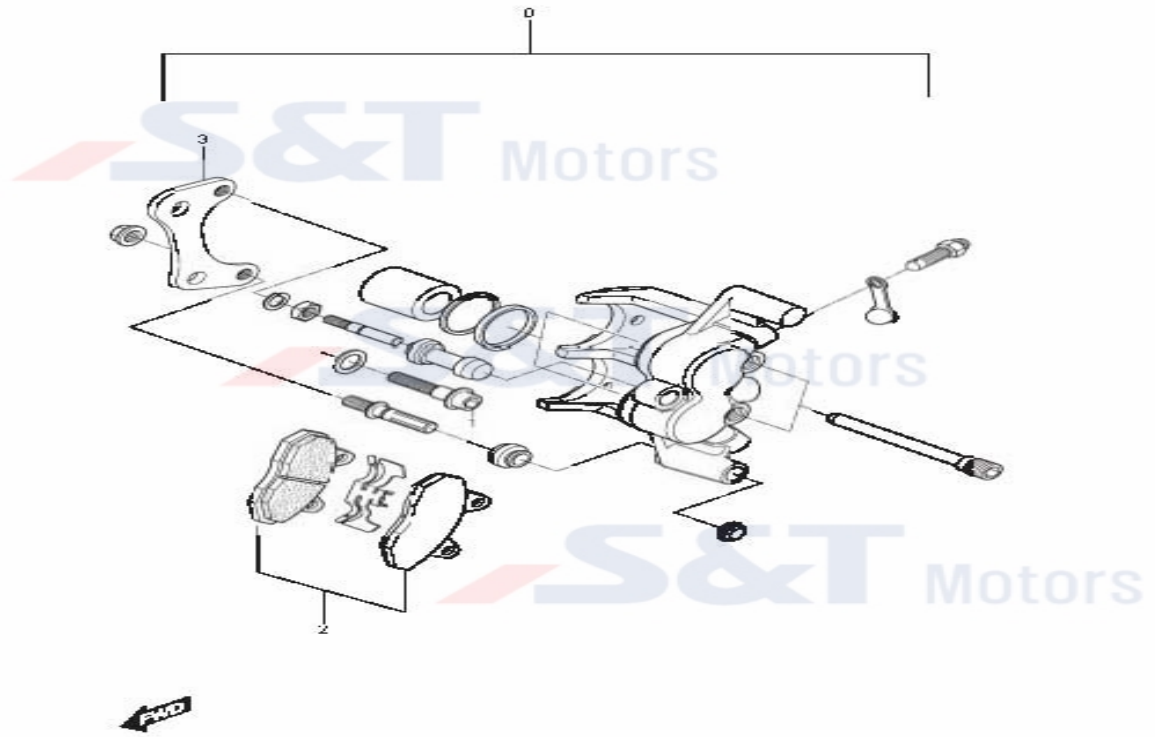


- 35 -

SEQ	PART CODE	PART NAME	U/S	REMARK
1	43110HM810003P	PEDAL COMP,BRAKE (GT250)	1	
2	43530H9970103P	BRACKET,FT FOOTREST (GT650RN)	1	
2-1	43530H9970103P	BRACKET,FT FOOTREST (GT650RN)	1	
3	09448H30003	SPRING,BRAKE PEDAL RETURN(GT25	1	
4	43561HC9701	FOOTREST,FRONT RH	1	=43561HC9700 / =43560HM8100
5	43561HM8100	FOOTREST BAR,FRONT R (GT250	1	
6	43530H9970103P	BRACKET,FT FOOTREST (GT650RN)	1	
6-1	43530H9970103P	BRACKET,FT FOOTREST (GT650RN)	1	
6-1	43530H9970103P	BRACKET,FT FOOTREST (GT650RN)	1	
7	02112-05126	SCREW,FRONT FOOTREST (GT250)	2	
8	69609HN9100	CYLINDER SET,REAR MASTER(GT650	1	cor. 69609HN9101
8-1	69609HN9101	CYLINDER SET,REAR MASTER(GT650	1	GT650(KM4MP59F2A1500722~),GT250(KM4MJ55B5A1101288~),GT125(KM4MF55B6A1501250~)
9	69740HM8100	TANK ASS'Y,RESERVER (GT250)	1	cor. 69800HN9100
9-1	69800HN9100	TANK SET,RESERVER (GT650)	1	
10	69700HM8101	HOSE ASS'Y,RESERVIOR TANK(GT2	1	cor. 69800HN9100
10-1	69800HN9100	TANK SET,RESERVER (GT650)	1	

11	09400H13001	CLAMP,RESERVER TANK HOSE(GT250)	2
12	01517-06168	BOLT,STEERING LOCK (SD)	1
13	09160-06019	WASHER	1
14	43533H30A40	BOLT,FRONT FOOTREST BAR (GT650)	1
15	09180H08008	SPACER FRONT FOOTREST	1
16	43579HM8101	PIN,FRONT FOOTREST (GT250)	1
17	09448H14007	SPRING FRONT FOOTREST	1
18	08332-11079	E-RING	1
19	07120-08258	BOLT,GRIP HANDLE (GT250RN)	2
20	07120-08258	BOLT,GRIP HANDLE (GT250RN)	2
21	08332-21068	WASHER PLATE (GA)	1
22	04111-20208	COTTER PIN	1
23	09160H15002	WASHER,BRAKE PEDAL (GT250)	1
24	08331-31159	CIRCLIP,KICK IDLE	1
25	09200H06040	PIN,REAR MASTER CYLINDER(GT250)	1
26	69800HN9100	TANK SET,RESERVER (GT650)	1
27	69609HN9100	CYLINDER SET,REAR MASTER(GT650)	1 cor. 69609HN9101
27-1	69609HN9101	CYLINDER SET,REAR MASTER(GT650)	1 GT650(KM4MP59F2A1500722~),GT250(KM4MJ55B5A1101288~),GT125(KM4M F55B6A1501250~)

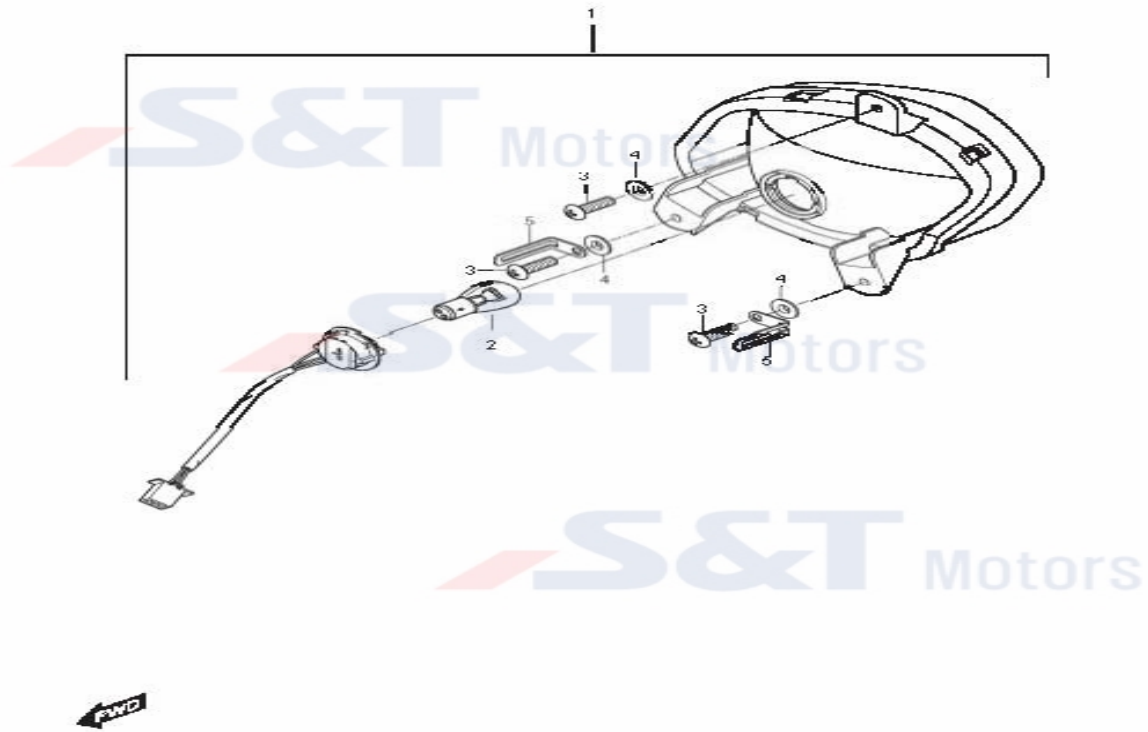
FIG 47



- 55 -

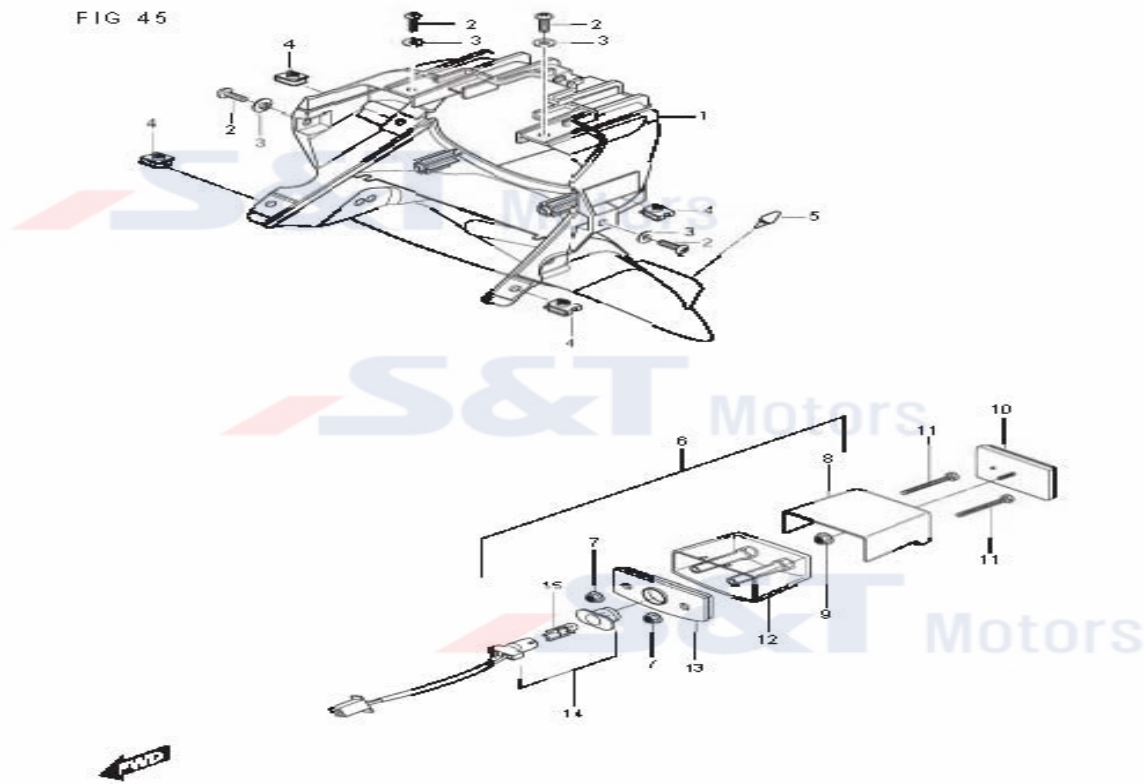
SEQ	PART CODE	PART NAME	U/S	REMARK
0	69300HP9500	CALIPER,REAR BRAKE (GV650)	1	
1	07120-08308	BOLT,CALIPER (RX)	2	
2	59300HM7903	CALIPER (GT125)	1	
2-1	59301HP9500	PAD SET(8.4T) (GV650)	1	
3	69340HM810303P	CARRIER,CALIPER (GT250)	1	

FIG 25



- 32 -

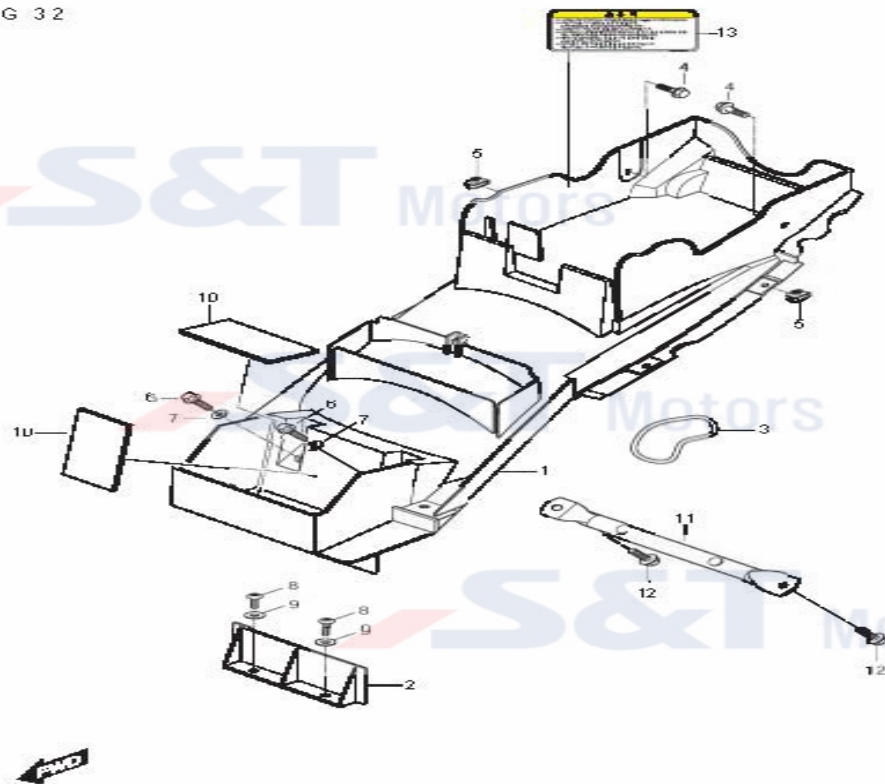
SEQ	PART CODE	PART NAME	U/S	REMARK
1	35710HM8102	LAMP ASS'Y, TAIL STOP (GT250)	1	
1-1	35710HM8152	LAMP ASS'Y, TAIL & STOP (GT250)	1	
2	09471-12047	BULB, TAIL & STOP (12V 21/5W) (FX-3)	1	
3	03241-05166	SCREW, SPEEDMETER	3	
4	09160-05017	WASHER, REAR FENDER	3	
5	09404-06401	CLAMP, OIL HOSE	2	



- 53 -

SEQ	PART CODE	PART NAME	U/S	REMARK
1	63111HM810112A	FENDER REAR (GT250)	1	P.P BLACK 17A M
2	02142-06166	SCREW,BATTERY HOLDER (GV)	4	
3	09169-06032	WASHER,REAR FENDER (GD)	4	
4	09148-05039	NUT HEADLAMP COWLING (GSX)	7	
5	09321-06023	CUSHION,LICENSE PLATE	2	
6	35910HM8100	LAMP ASS'Y,LICENSE PLATE(GT250)	1	
6-1	35910HG5150	LAMP ASS'Y,LICENSE PLATE (GV)	1	8JP01
7	08316-26055	NUT,FRONT TURN SIGNAL LAMP	2	
8	35915HL7300	COVER,LICENSE LAMP (MS1-125)	1	
9	08316-26055	NUT,FRONT TURN SIGNAL LAMP	1	
10	35970-17303	REFLEX,REFLECTOR ASS'Y,REAR(FX	1	
11	01107-05605	BOLT,LICENSE LAMP (GV650)	2	
12	35911HG5800	LENS,LICENSE (RX125	1	
13	35912HG5800	HOUSING,LICENSE (GT650)	1	
14	35916HG5800	CORD ASS'Y (GT125)	1	
15	09471-12150	>(09471-12210)BULB,LICENS LAM	1	

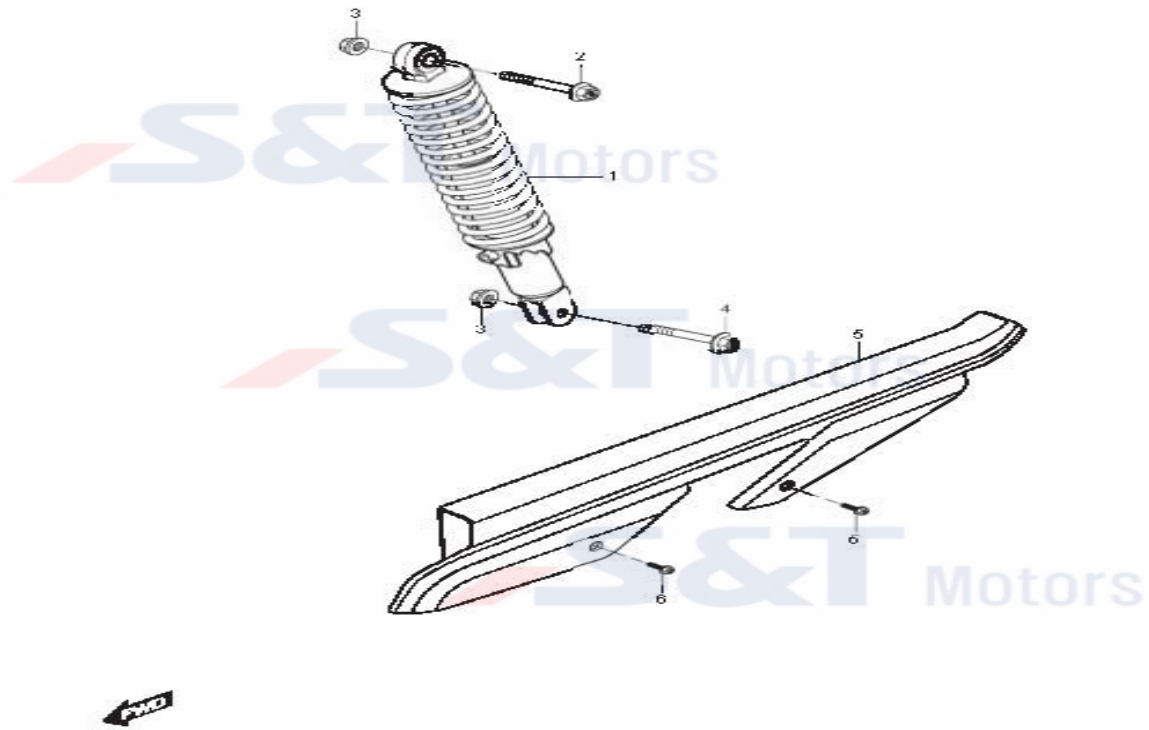
FIG 32



- 40 -

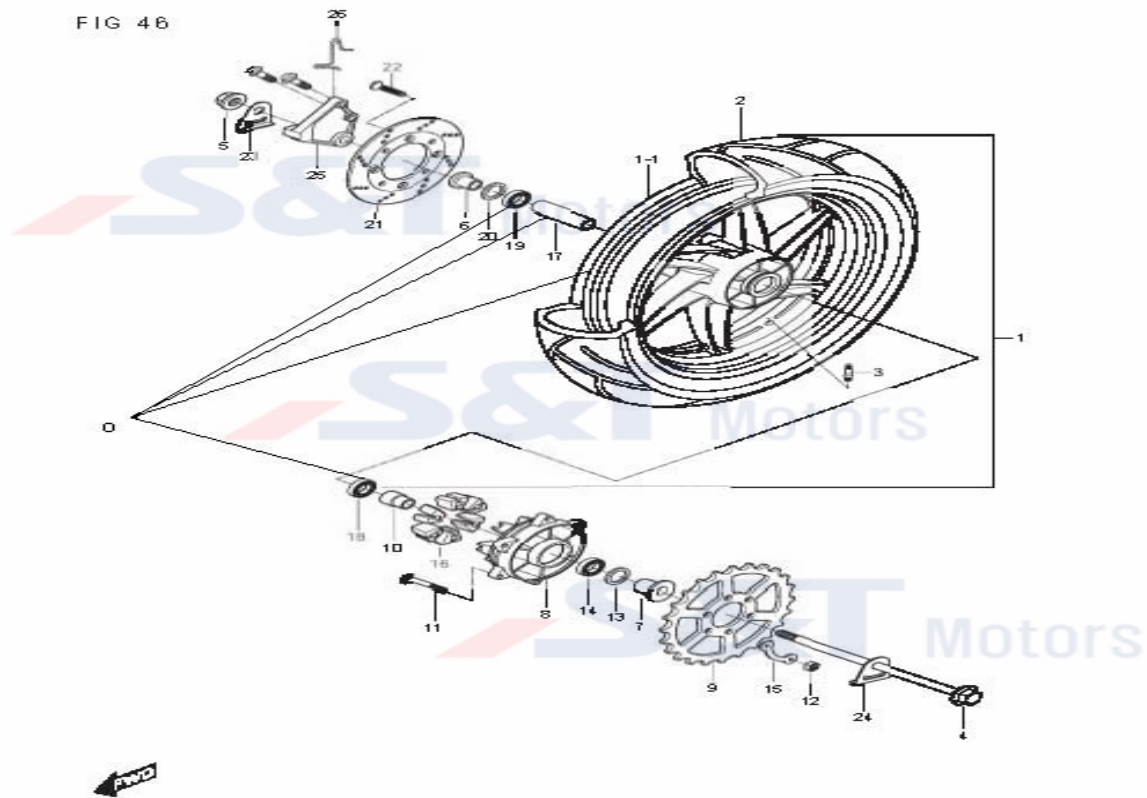
SEQ	PART CODE	PART NAME	U/S	REMARK
1	63112HM810512A	REAR FENDER FRONT (GT125)	1	P.P BLACK 17A M
2	63113HM810112A	FENDER REAR LOWER (GT250)	1	P.P BLACK 17A M
3	09280-63003	BAND TOOL	1	
4	09111H06066	BOLT CHAIN CASE (GD)	2	
5	09148-05039	NUT HEADLAMP COWLING (GSX)	2	
6	01517-06206	BOLT,FUEL COCK	2	
7	09169-06032	WASHER,REAR FENDER (GD)	2	
8	02142-06166	SCREW,BATTERY HOLDER (GV)	2	
9	09169-06032	WASHER,REAR FENDER (GD)	2	
10	41589HG5900	PROTECTOR,BATTERY COV (SD90)	1	
10-1	41589HR9700	CUSH,RR FENDER FT&BATTERY NO.2	1	
11	63120HM810103P	TUBE REAR FENDER FRONT FM SIDE	1	
11-1	63120HN9150120	TUBE,RR FEN FT&FM SIDE(GT650R)	1	8JP01
12	01517-08168	BOLT REAR AXLE BRI HOUSING	2	
13	68350HM8100PL	LABEL,CAUTION NO.1□□ (GT)	1	
14	02142-04088	SCREW,MOVABLE DRIVE FACE	2	

FIG 44



- 52 -

SEQ	PART CODE	PART NAME	U/S	REMARK
1	62100HM8103	REAR SHOCK ABSORBER (GT125N)	1	
1-1	62100H98600	REAR SHOCK ABSORBER (GT250RC)	1	
2	09103H10230	BOLT,REAR S/ABSORBER UPPER(RX)	1	
3	08319-31108	NUT,FRONT SORBER	2	
4	09103H10101	BOLT,HANDLE BAR SET (EZ)	1	
5	61310HM8102	CASE COMP,CHAIN (GT125)	1	
6	09111H06066	BOLT CHAIN CASE (GD)	2	

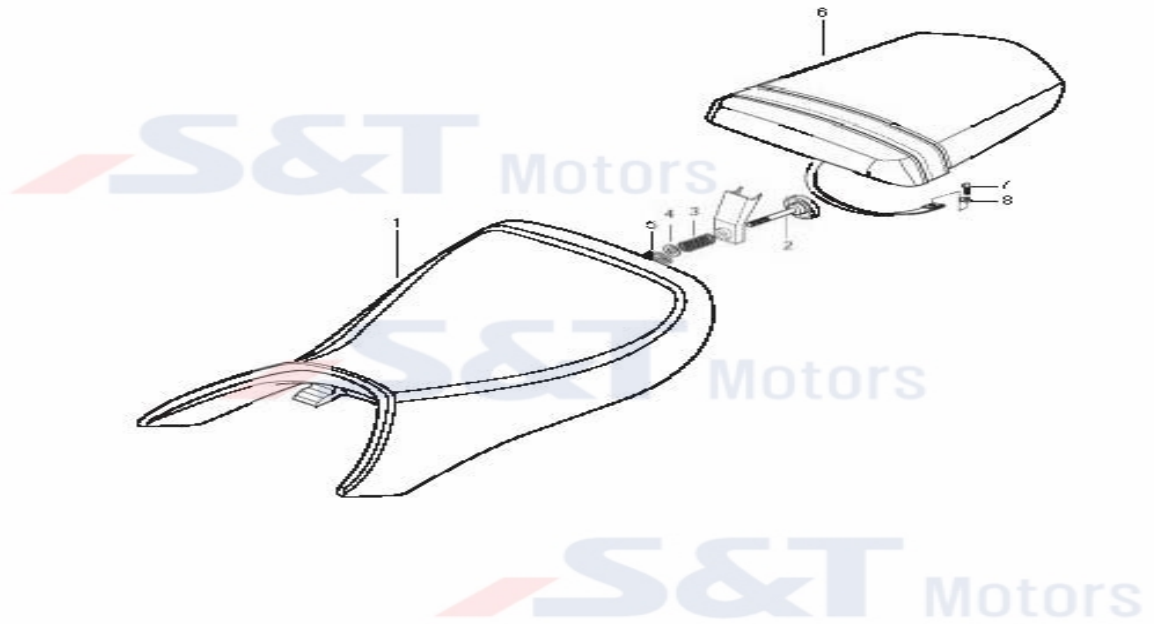


- 54 -

SEQ	PART CODE	PART NAME	U/S	REMARK
0	64150HM8102HPA	WHEEL COMP,REAR (GT250)	1	
0-1	64150SM8103120	WHEEL COMP,REAR (GT250)	1	8JP01
1	64140SM8100HPA	REAR WHEEL+TIRE ASS'Y (GT250)	1	
2	65101HM8100	TIRE SET,REAR (GT250)	1	
3	55220-29C20	VALVE ASS'Y	1	
4	64711HM8103	AXLE,REAR (GT250)	1	=64711HM8102
5	09159H16002	NUT,REAR AXLE (GT250)	1	
6	64741HM8100	SPACER,REAR AXLE R (GT250)	1	
7	64751HM8100	SPACER,REAR AXLE L (GT250)	1	
8	64611HM810203P	DRUM,REAR SPROCKET MOUNT'G(GT2	1	
8-1	64611HM8170120	DRUM,RR SPRO MOUNTING (GT250)	1	8JP01
9	64511HM7901	SPROCKET, REAR (GT125RC)	1	
10	64733HM8100	RETAINER,RR MOUNT'G DRUM(GT250	1	
11	01517-08358	BOLT,PILLION RIDER REAR (FXM)	6	
12	08319-31088	NUT,PILLION FOOTREST	6	
13	09285-28001	OIL SEAL REAR DRUM	1	
14	08133-62047	BEARING,REAR SPROCKET DRUM(GT)	1	

15	09169-10013	WASHER,REAR SPROCKET (GV250)	3
16	64651HM8101	HUB,S/ABSORBER (GT650)	6
17	64731HM8100	SPACER,REAR WHEEL BEARING(GT25)	1
18	08133-62037	BEARING,REAR HUB R/L (RT125)	1
19	08133-62037	BEARING,REAR HUB R/L (RT125)	1
20	09280-55001	OIL RING,REAR HUB L (GT250)	1
21	69211HM8103	DISK,REAR BRAKE (GT250)	1 =69211HM8102/MY 14 (November, 2013~)
22	59421-03A01	BOLT,FRONT BRAKE DISK (SBS)	6
23	64712HJ8201	WASHER,CHAIN ADJUSTER R(GV250)	1
24	64712HJ8201	WASHER,CHAIN ADJUSTER R(GV250)	1
25	69340HM810303P	CARRIER,CALIPER (GT250)	1
25-1	69340HM8170120	CARRIER,CALIPER (GT650R)	1 8JP01
26	61610HM8101	GUIDE,REAR HOSE NO.1 (GT250)	1
27	09283-27010	OIL SEAL,REAR AXLE	1

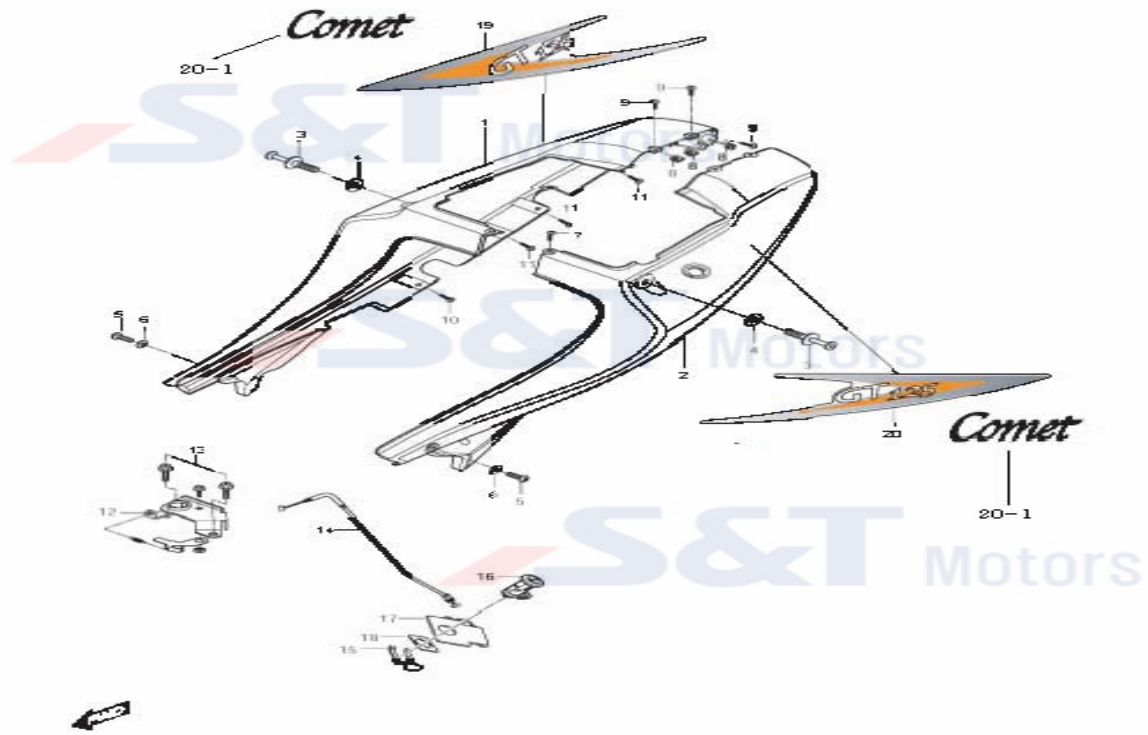
FIG 31



- 39 -

SEQ	PART CODE	PART NAME	U/S	REMARK
2	45120HM8101	KNOB COMP,SEAT FRONT (GT250)	1	
3	09440-11016	SPRING GEAR SHIFT CAM STOP	1	
4	08322-11088	WASHER	1	
5	04111-20208	COTTER PIN	1	
6	45200HM8103HAS	SEAT SET,REAR (GT250)	1	
7	01517-06206	BOLT,FUEL COCK	1	
8	09160-15015	THRUST WASHER,CLUTCH RELEASE	1	

FIG 33

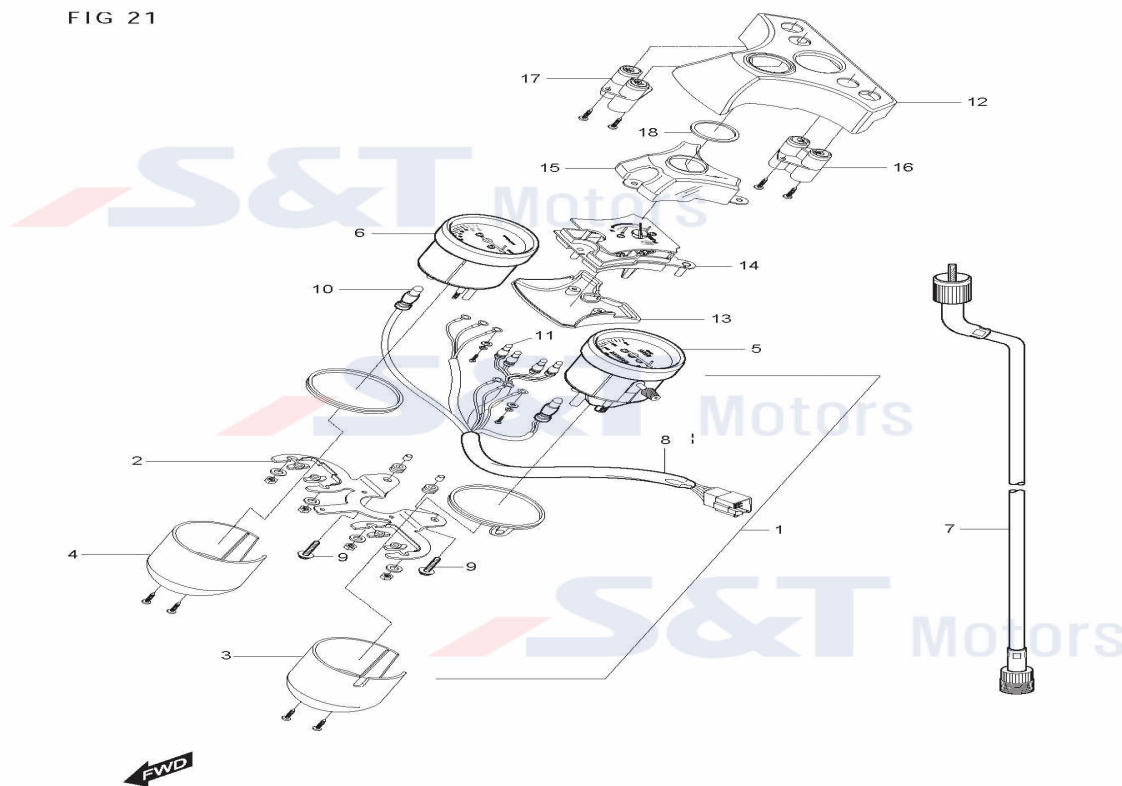


- 41 -

SEQ	PART CODE	PART NAME	U/S	REMARK
1	47111HM8105CMB	COVER,SIDE R (GT250)	1	MIDNIGHT BLACK
1-1	47111HM8105CTR	COVER,SIDE R (GT250)	1	PEARL, TWINKLE RED
1-2	47111HM8105MO	COVER,SIDE R (GT250)	1	
2	47211HM8106CMB	COVER,SIDE L (GT250)	1	MIDNIGHT BLACK
2-1	47211HM8106CTR	COVER,SIDE L (GT250)	1	PEARL, TWINKLE RED
2-2	47211HM8106CMO	COVER,SIDE L (GT250)	1	MANGO YELLOW
3	47113HM8101	BOLT,LUGGAGE SUPPORT (GT250)	2	
3-1	47115HN9100	CAP,LUGGAGE SUPPORT BOLT(GT650)	2	
4	08322-11088	WASHER	2	
5	02142-06165	SCREW,LEG SHIELD LOWER(GT250RN)	2	
6	09169-06032	WASHER,REAR FENDER (GD)	2	
7	02142-06166	SCREW,BATTERY HOLDER (GV)	1	
8	09148-05004	NUT	3	
9	02142-05125	SCREW,HANDEL COVER FRONT&REAR	3	
10	02142-06206	SCREW,TAIL COVER SEAT	2	
11	02142-05165	SCREW,HANDLE COVER NO1	6	
12	45220HM8101	LOCK ASS'Y,SEAT STRIKER RR(GT2)	1	

13	01517-06128	BOLT,OIL DRAIN	2
14	45280-35C00	CABLE COMP SEAT LOCK (GD)	1
15	92414HF4500	LOCK,KEY SET (GPS)	1
16	45700HG2610	LOCK ASS'Y,SEAT (SF50)	1
17	45381HG2601	GUIDE,SEAT LOCK (SF50)	1
18	92413HF4501	WASHER,COV HELMET BOX INN(GPS)	1
19	68134HM790000C	TAPE,SIDE COVER R (GT125)	1
20	68136HM790000C	TAPE,COVER SIDE L (GT125)	1
20-1	68130HM8100015	EMBLE,COMET (GT250)	2 PURE WHITE No.1

FIG 21

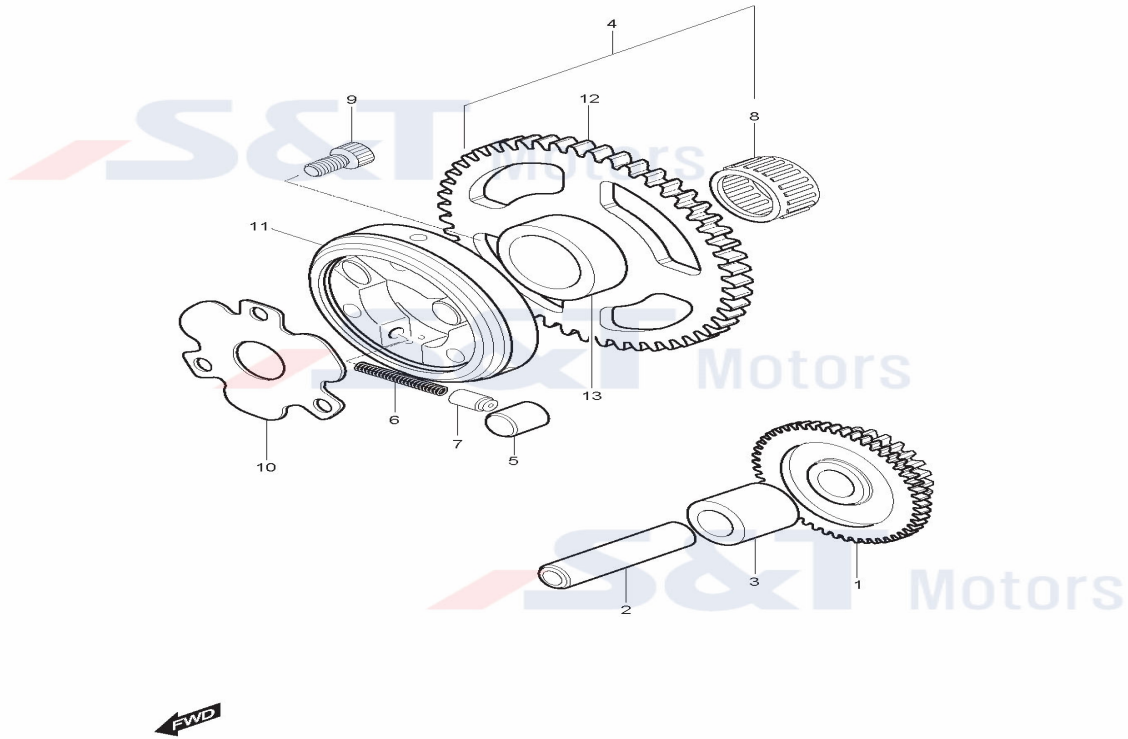


- 21 -

SEQ	PART CODE	PART NAME	U/S	REMARK
1	34100HM7900	SPEEDOMETER ASS'Y (GT125)	1	
2	34950HG5100ST	BRACKET,SPEEDOMETER (GT125)	1	
3	34105HM8100	LOWER CASE,SPEEDOMETER (GT250)	1	
4	34106HM8100	LOWER CASE,TACHOMETER (GT125)	1	
5	34100HM7900	SPEEDOMETER ASS'Y (GT125)	1	
6	34120HM7900	TACHOMETER (GT125)	1	
7	34910HG5104	CABLE ASS'Y,SPEEDOMETER (GV125)	1	
8	34117HG5100	WIRING,SPEEDOMETER (GT125)	1	
9	09116-06010	BOLT REAR COMBI BRACKET (GSX)	2	
10	09471-12077	BULB(12V 1.7W)	2	
11	09471-12072	BULB,(W2*4,6D*T6.5) (GT250)	4	
12	39110HM7900	INDICATOR LAMP UPPER (GT125)	1	
13	39120HG5100	INDICATOR LAMP LOWER (GV125)	1	
14	34136HG5100	NULL	1	
14-1	34130HM7900	FUEL METER (GT125)	1	
15	34135HG5100	NULL	1	
16	34320HM7900	LAMP,HOUSING LEFT (GT125)	1	

17	34310HM7900	LAMP,HOUSING RIGHT (GT125)	1
18	34350HG5100	NULL	1

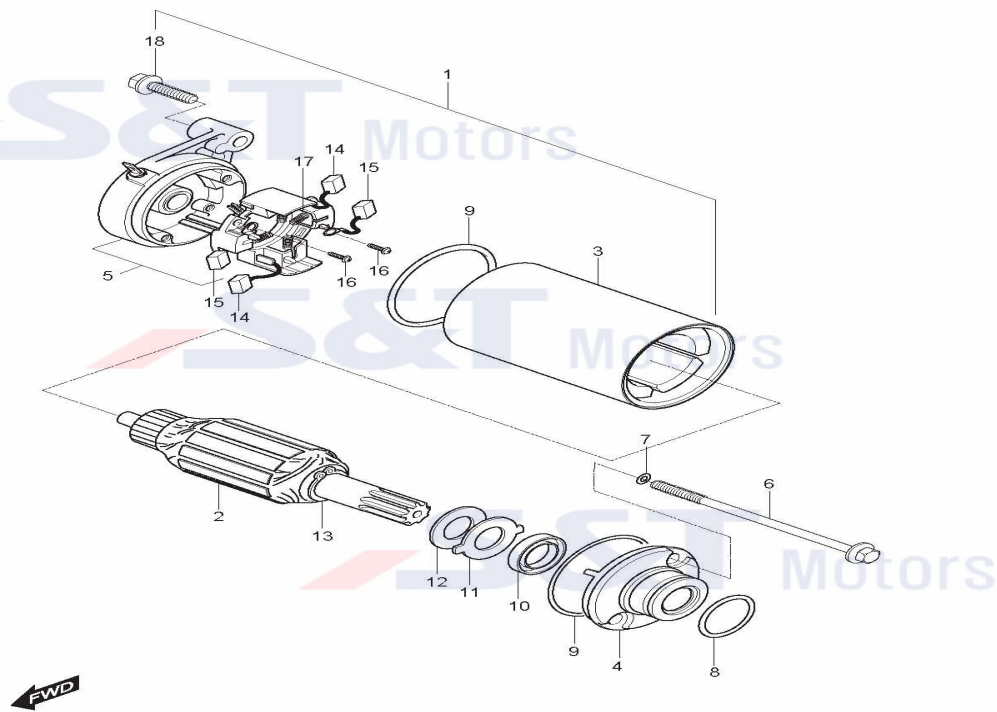
FIG 7



- 8 -

SEQ	PART CODE	PART NAME	U/S	REMARK
1	12611HG5100	GEAR,STARTER IDLE (GV)	1	
2	12612HG5100	SHAFT,STARTER IDLE GEAR (GV)	1	
3	09180-13006	SPACER,STARTER IDLE GEAR	1	
4	12620HG5101	GEAR COMP,STARTER CLUTCH (GV)	1	
5	09261-10003	ROLLER,STARTER CLUTCH	3	
6	09440-03004	SPRING,STARTER CLUTCH	3	
7	12633-05300	PIECE,STARTER CLUTCH ROLL	3	
8	09263-22031	BEARING,STARTER CLUTCH GEAR	1	
9	07110-08168	BOLT,STARTER CLUTCH (GD)	3	
10	12649-05300	SHIM,STARTER CLUTCH HUB	1	
11	12630-29B00	HUB STARTER CLUTCH(TN,GS,TNX)	1	
12	12620HG5101	GEAR COMP,STARTER CLUTCH (GV)	1	
13	12621HG5100	RACE,STARTER CLUTCH INNER (GV)	1	

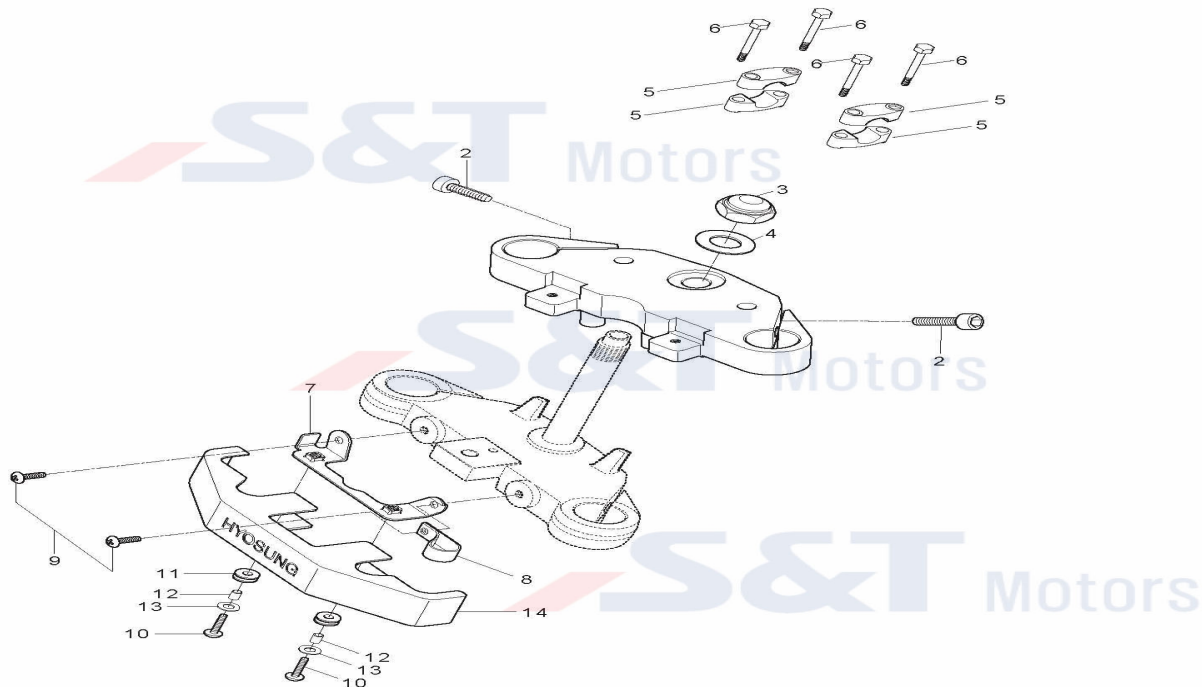
FIG 17



- 23 -

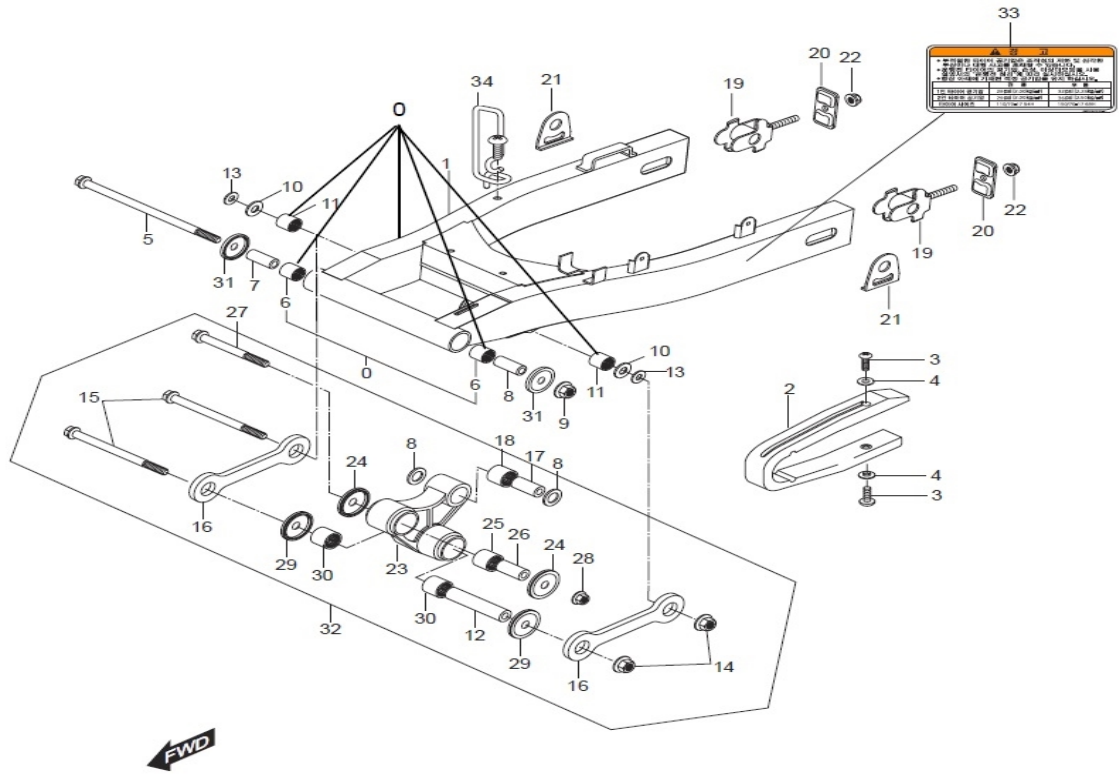
SEQ	PART CODE	PART NAME	U/S	REMARK
1	31100HG5100	MOTOR ASSY,STARTING(GV)	1	
2	31310-11D00	NULL	1	
3	31110HD6300	YOKE ASS'Y,STARTER (GT125)	1	
4	31150-42A01	HOUSING ASSY,STARTER (GD)	1	
5	31175HG5100	NULL	1	
6	31281-32C10	BOLT,THROUGH (GD)	2	
7	31156-38300	O RING STARTING MOTOR	2	
8	09280-24001	O-RING,STARTER MOTOR	1	
9	31264-35C10	O-RING (GD)	2	
10	31153-49210	SEAL,OIL (GD)	1	
11	31361-32C00	PLATE,LOCK (GD)	1	
12	31361-38300	SHIM(A)	1	
13	31361-10200	SHIM ARMATURE	1	
14	31132-32C10	BRUSH SUB-ASSY,STARTER (GD)	2	
15	31131-32C20	BRUSH,STARTER (GD)	2	
16	31114-32C10	SCREW (GD)	2	
17	31135-32C10	SPRING,COMPRESSION COIL (GD)	4	
18	01547-06308	BOLT,MAGNET&CLUTCH COVER (EZ)	2	

FIG 35



- 43 -

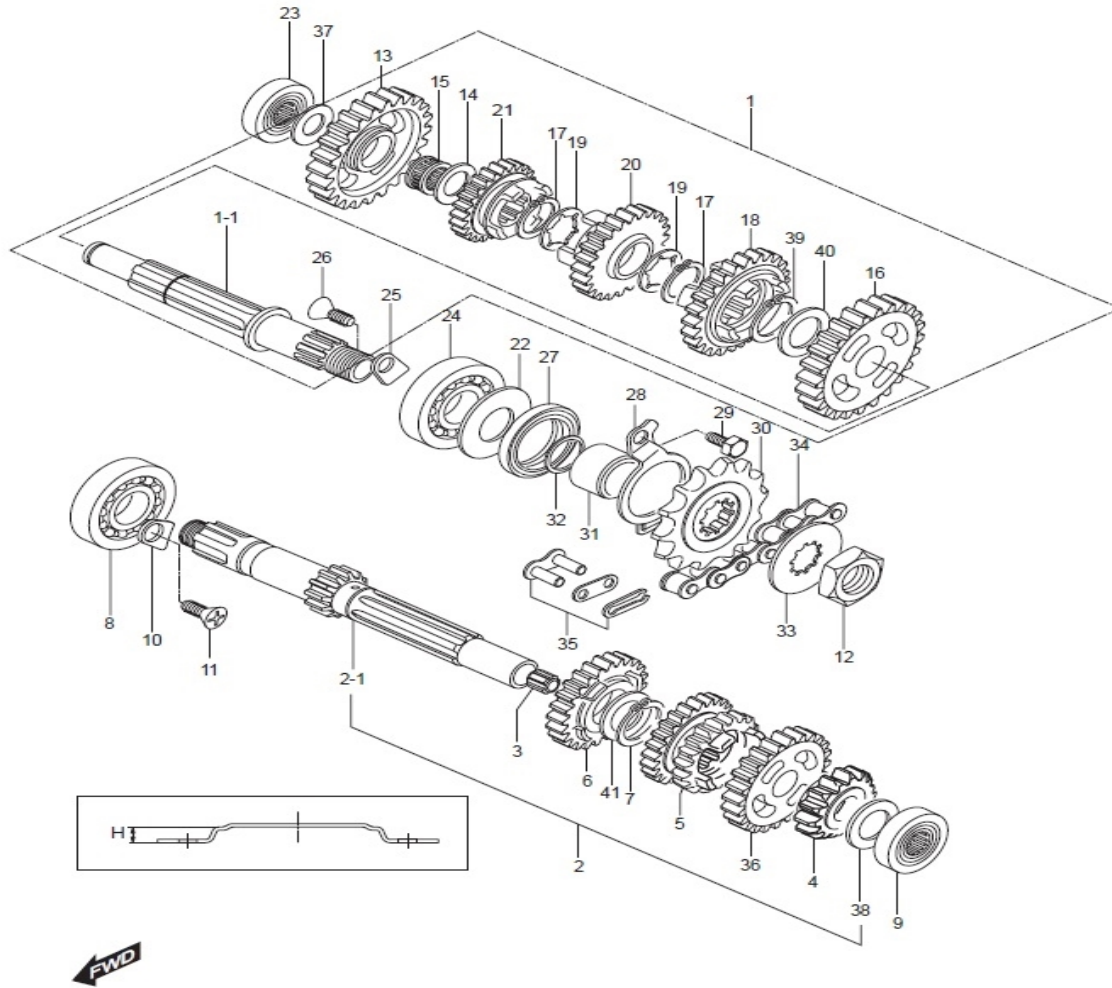
SEQ	PART CODE	PART NAME	U/S	REMARK
1	51311HM790103P	BRACKET,FRONT FORK UPPER(GT125)	1	
2	07110-08258	BOLT,FRAME JOINT	4	
3	09159H22001	NUT,STEERING UPPER (RX)	1	
4	09160-22031	WASHER,STEERING UPPER (RX)	1	
5	56211-35C00	HOLDER,HANDLE BAR (GT250P)	4	
6	01517-06608	NULL	4	
7	51760HG5102	GUIDE,UNDER BRACKET&CABLE (GV)	1	
8	09403-14404	CLAMP,REAR BRAKE CABLE NO2	1	
9	02142-06126	SCREW UPPER CABLE GUIDE NO1(GV)	2	
10	09136-06022	SCREW,COWLING	2	
11	09320-09016	CUSHION,TOOL HOLDER	2	
12	09180-06011	SPACER,BATT HOLE	2	
13	09169H06016	WASHER,URNSIGNAL LAMP&COV(GV)	2	
14	51711HG5102	COVER,UNDER BRACKET (GV)	1	



SEQ	PART CODE	PART NAME	U/S	REMARK
0	61100HM8105HPA	REAR SWING ARM (GT250)	1	
0-1	61100S98600120	SWINGARM COMP (GT250N)	1	
1	61100HM8105	SWING ARM COMP,REAR (GT250)	1	
1-1	61100HM8105120	SWINGARM COMP (GT125R)	1	8JP01
2	61273HM8101	BUFFER,CHAIN TOUCH DEFENSE(GT)	1	
3	02142-06166	SCREW,BATTERY HOLDER (GV)	2	
4	09169H06011	WASHER	2	
5	61211HM8100	SHAFT,REAR SWING ARM PIVOT(GT2)	1	
6	09263-22017	BEARING,REAR SWING	2	
7	61251HM8100	SPACER,SWING PIVOT BEAR'G(GT2)	2	
8	08211-14321	WASHER,KICK STARTER	2	
9	09159H14008	NUT,REAR AXLE	1	
10	09283-20031	SEAL,REAR CUSHION ROD (RX)	2	
11	09263H20003	BEARING,REAR CUSHION ROD (RX)	2	
12	09180H14001	SPACER,REAR CUSH ROD (RX)	1	
13	08211-14321	WASHER,KICK STARTER	2	
14	09159H14008	NUT,REAR AXLE	2	

15	09103H14001	BOLT,REAR CUSHION ROD (RX)	2
16	62641HM8100	ROD,REAR CUSHION LEVER (GT250)	2
17	09180H10073	SPACER,REAR CUSHION LEVER (RX)	1
18	09263H17002	BEARING,REAR CUSHION LEVER(RX)	1
19	61410HJ8200	ADJUSTER COMP,CHAIN (GV250)	2
20	61421-01D00	PLATE CHAIN ADJUST GIIDE(GSX)	2
21	64712HJ8201	WASHER,CHAIN ADJUSTER R(GV250)	2
22	08319-31088	NUT,PILLION FOOTREST	2
23	62611HG5800	LEVER,REAR CUSHION (RX)	1
24	09284H33003	DUST SEAL,REAR CUSHION LEVE(RX)	2
25	09263-20073	BEARING RR SWINGARM PIV (GD)	1
26	09180H12001	SPACER,REAR CUSH LEVER FT (RX)	2
27	09103H12046	BOLT,REAR CUSHION LEVER FT(RX)	1
28	08319-31128	NUT,SWING ARM PIVOT	1
29	09284H32001	SEAL,REAR CUSHION LEVER CEN(RX)	2
30	09263H20003	BEARING,REAR CUSHION ROD (RX)	2
31	61262-45002	COVER,REAR S/ARM (GT250RN)	2
32	62611HG5800	LEVER,REAR CUSHION (RX)	1
33	68320HM8100PL	LABEL,CHAIN CASE (GT250)	1
34	61510HM8101	GUIDE,REAR BRAKE HOSE(GT250RC)	1 =61510HM8100
34-1	02142-06128	SCREW,BATTERY HOLDER	1 (02.2013~)
34-2	09116-06143	BOLT OIL COOLER (GSX)	1 (02.2013~)

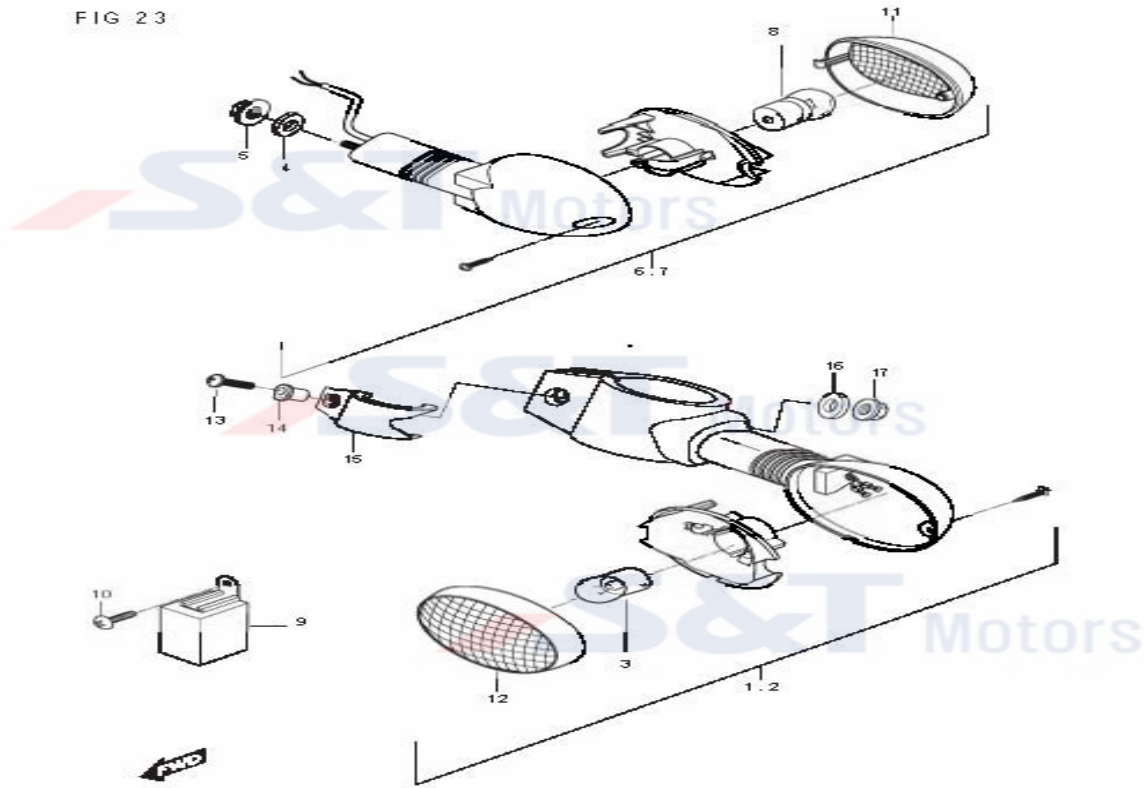
FIG 15



SEQ	PART CODE	PART NAME	U/S	REMARK
1	24130SM7900	SHAFT DRIVE COMP (GT125)	1	
1-1	24130HM7901	SHAFT COMP,DRIVE (GT125,R)	1	
2	24120SM7900	SHAFT COUNTER COMP (GT125)	1	
2-1	24121HM7901	SHAFT,COUNTER (GT125)	1	
3	24125-38201	BUSH,COUNTER SHAFT	1	
4	24221-29B00	GEAR,2ND DRIVE (TN,RG,GS)	1	
5	24231HG5100	GEAR,3/4 DRIVE (GV)	1	
6	24251-05202	GEAR,5TH DRIVE (TN,RG,GS)	1	
7	09380-20009	CIRCLIP,5TH DRIVE GEAR	1	
8	08110-63040	BEARING,COUNTER SHAFT R (GV)	1	
9	09263H15018	BEARING,COUNTER SHAFT L (GV)	1	
9-1	09263H15019	BEARING,COUNT SHAFT L (GT125)	1	
10	24741HG5100	RETAINER,COUNTER SHAFT BG (GV)	1	
11	02122-06128	SCREW,OL GR SH	1	
12	09140-16017	NUT,ENGINE SPROCKET	1	
13	24311-29B00	GEAR,1ST DRIVEN (TN,RG,GS)	1	
14	08211-15251	THRUST WASHER,1ST DRIVE GEAR	1	
15	09263H15002	BEARING,1ST DRIVEN GEAR	2	

16	24320-29B00	GEAR COMP,2ND DRVN (TN,RG,GS)	1
17	09380-20009	CIRCLIP,5TH DRIVE GEAR	2
18	24331HG5100	GEAR,3RD DRIVEN (GV)	1
19	09167-20011	THRUST WASHER,3RD DRIVE GEAR	1
20	24341HG5100	GEAR 4TH DRIVEN (GV)	1
21	24351-05201	GEAR,5TH DRIVEN (TN,RG,GS)	1
22	24359-05200	WASHER,OIL C-RING	1
22-1	09160H20011	WASHER,OIL SEALING (GV250)	1
23	09263H15015	BEARING,DRIVE SHAFT R (GV)	1
24	09262H22016	BEARING,DRIVE SHAFT L (GV)	1
25	24741HG5100	RETAINER,COUNTER SHAFT BG (GV)	1
26	02122-06128	SCREW,OL GR SH	1
27	09283-27010	OIL SEAL,REAR AXLE	1
28	24751HG5102	RETAINER,DRIVE SHAFT O/SEAL(GV)	1
29	01107-06106	BOLT,DR SH RETAINER	2
30	27510H41732	SPROCKET COMP,ENGINE 14T (GF)	1
31	27531HJ8201	SPACER,ENGINE SPROCKET (GV250)	1
31-1	27531HJ8201	SPACER,ENGINE SPROCKET (GV250)	1
32	09280-19005	O/RING,ENGINE SPROCKET	1
33	09167H20002	WASHER,ENGINE SPROCKET(GD250R)	1 Repl of 09167-20006 / (0.8T -> 1.0T)
34	27600HM7900	CHAIN ASS'Y,DRIVE(136L) (GT125)	1
35	27620H93B00	JOINT,CHAIN	1 N/A
36	24231HG5100	GEAR,3/4 DRIVE (GV)	1
37	09180H15029	SPACER DRIVE SHAFT R (GV)	1
38	09180H15031	SPACER,COUNTER SHAFT L (GV)	1
39	09380-20009	CIRCLIP,5TH DRIVE GEAR	1
40	08211-22281	WASHER,2ND DRIVEN GEAR (GV250)	1
41	08211-22281	WASHER,2ND DRIVEN GEAR (GV250)	1

FIG 23

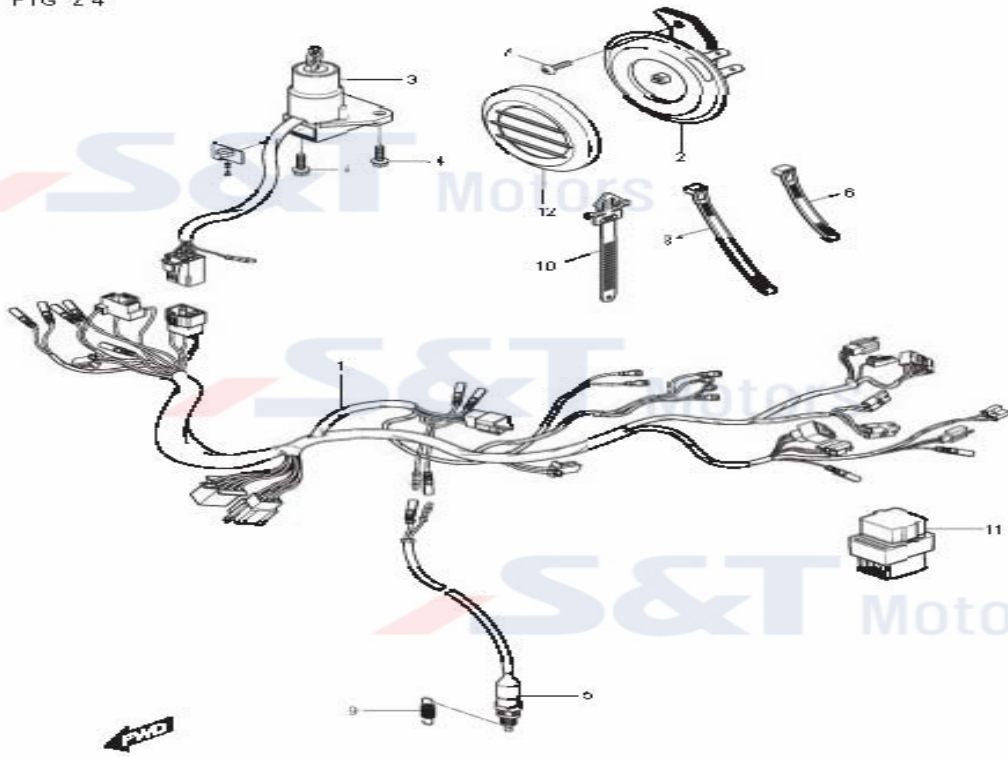


- 30 -

SEQ	PART CODE	PART NAME	U/S	REMARK
1	35601HM7901	LAMP,FRONT T/SIG R (GT125)	1	
1-1	35601HR7800	LAMP ASSY,FT T/SIGNAL R(RT125D)	1 8JP01	
2	35602HM7901	LAMP,FRONT T/SIG L (GT125)	1	
2-1	35602HR7800	LAMP ASSY,FT T/SIGNAL L(RT125D)	1 8JP01	
3	09471-12142	BULB,FRONT TURNSIGNAL (SD GUS	2	
4	09169H06016	WASHER,TURNSIGNAL LAMP&COV(GV)	4	
5	08316-26066	NUT,REAR COMBI LAMP	4	
6	35603HM8101	LAMP ASS'Y,REAR T/SIG R(RT125)	1	
6-1	35603HM8151	LAMP ASS'Y,REAR T/SIG R (GT250	1 8JP01	
7	35604HM8101	LAMP ASS'Y,REAR T/SIG L (RT125	1	
7-1	35604HM8151	LAMP ASS'Y,REAR T/SIG L (GT250	1 8JP01	
8	09471-12142	BULB,FRONT TURNSIGNAL (SD GUS	2	
9	38610HL7320	RELAY ASS'Y,HARZARD (GT125)	1	
10	02112-06128	SCREW,COUNTER SHAFT	1	
11	35612HM8100	LENS,FRONT T/SIG R,RR L(GT250)	2	
12	35632HM8100	LENS FRONT T/SIG L & RR R(GT25	2	
13	02152-06258	SCREW,CYLINDER COWLING	2	

14	09169H06016	WASHER,TURNSIGNAL LAMP&COV(GV)	2
15	51721HM5400TAM	COVER,FRONT TURNSIGNAL (RT125	2
16	09169H06016	WASHER,TURNSIGNAL LAMP&COV(GV)	2
17	08316-26066	NUT,REAR COMBI LAMP	2

FIG 24



- 31 -

SEQ	PART CODE	PART NAME	U/S	REMARK
1	36610HM8105	WIRING,HARNESS (GT250)	1	
1	36610HG5120	WIRING,HARNESS (GT250)	1	
1	36610HM8103	HARNESS,WIRING (GT250)	1	cor. 36610HM8105
1-1	36610H87940	HARNESS,WIRING (GT125AT)	1	8JP01
1-2	36610HM8105	WIRING,HARNESS (GT250)	1	
2	38500HM8110	HORN ASSY (GT650)	1	
3	37000HM8130	KEY SET (GT125)	1	
4	01517-06206	BOLT,FUEL COCK	2	
5	37740H04512	SWITCH ASS'Y,STOP (X,FB)	1	
6	09407-14403	CLAMP,STRNINER(125MM) (EZ)	8	
7	02112-36128	SCREW,COOLING FAN (GV250N)	1	
8	09407-22402	CLAMP,WIRING HARNESS (EZ)	2	
9	09443H06006	SPRING STOP LAMP SWITCH (GA)	1	
10	09407-14408	BAND	5	
11	36740-35C00	BOX ASS'Y FUSE(15A) (GSX)	1	
12	38510H93B10	COVER,HORN	1	
13	41495HN9101	GUIDE CLAMP,HARNESS (GT650)	1	