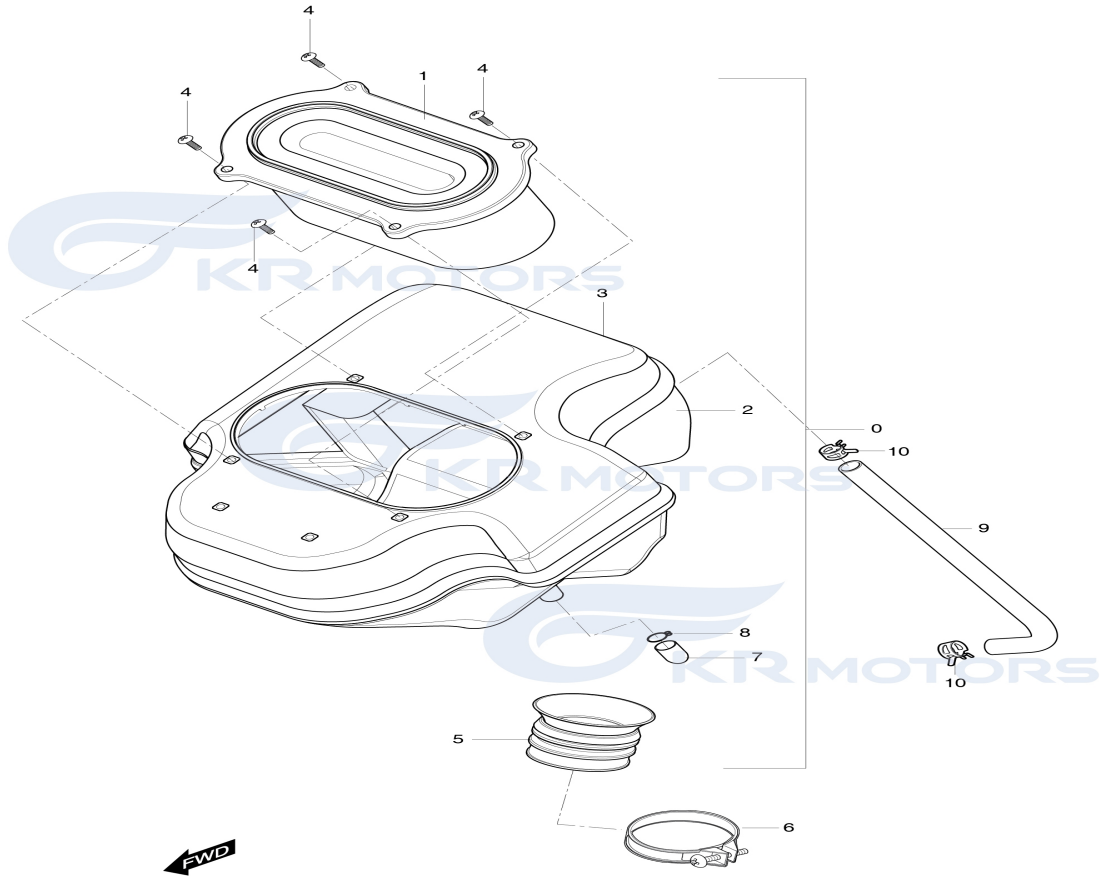
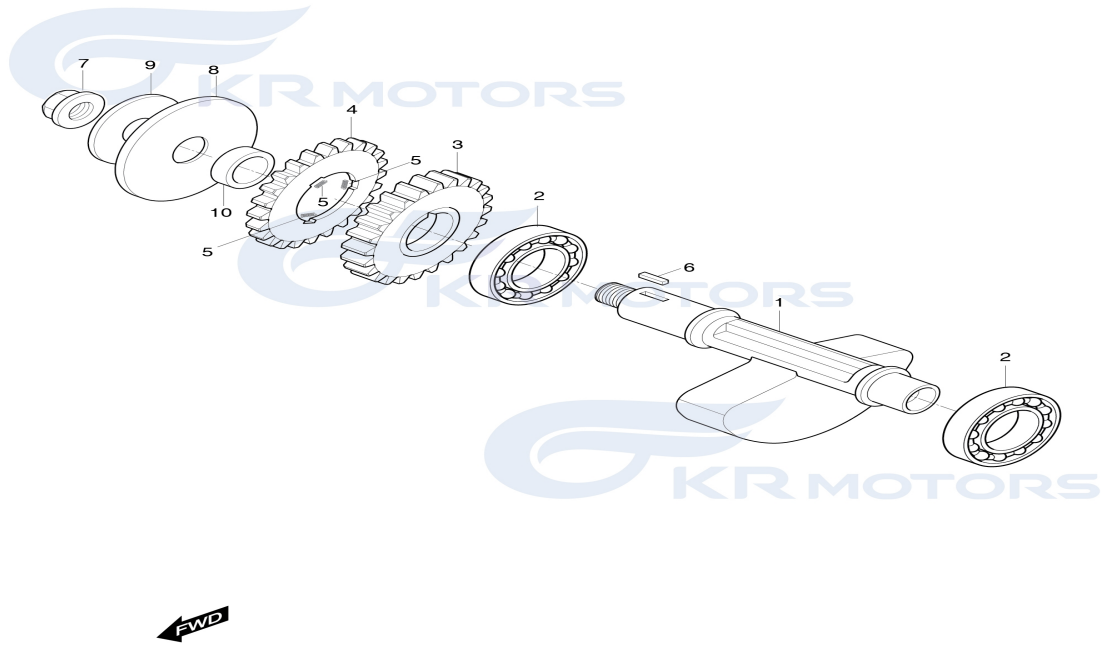


FIG 11



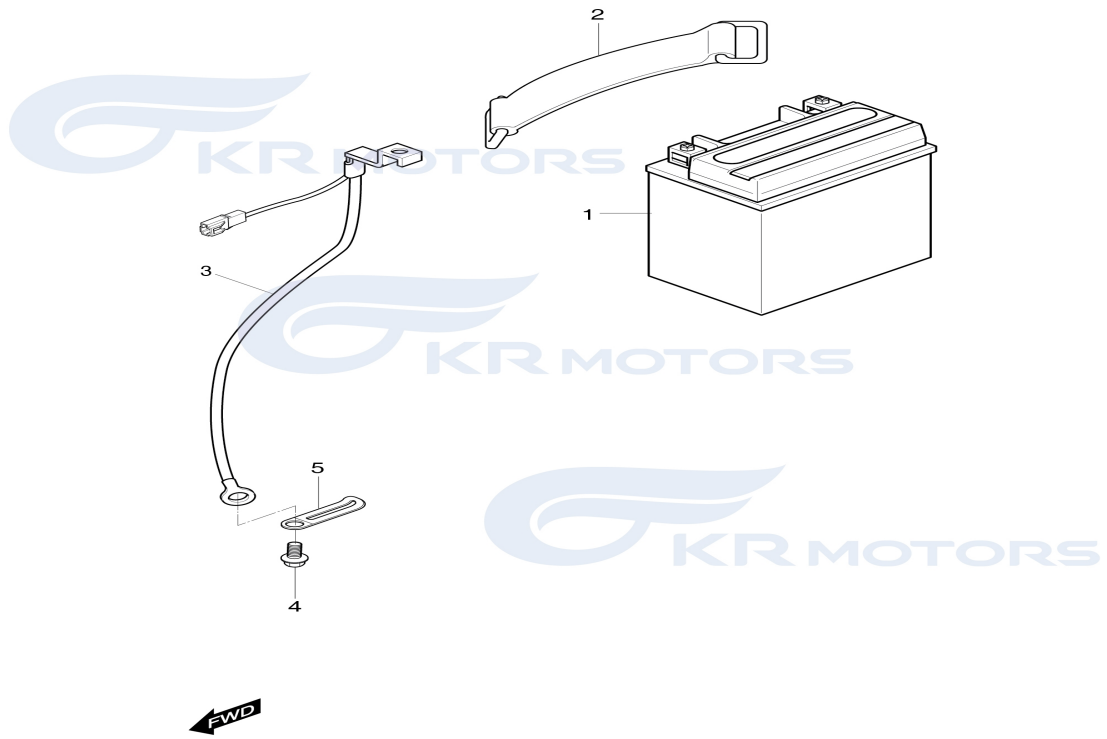
SEQ	PART CODE	PART NAME	U/S	REMARK
0	13700HC8100	CLEANER ASSY, AIR (GD250N)	1	
1	13780HC8100	FILTER COMP, AIR CLEANER	1	
4	02142-05165	SCREW,HANDLE COVER NO1	4	
5	13881HC8100	TUBE, OUTLET(NEED BONDING)	1	Single Part Unavailable - Need Bonding
6	09402-52207	CLAMP (X100)	1	
7	13895HF4500	PLUG	1	
8	09401-14301	CLIP	1	
9	16831HC8100	HOSE,BREATH OIL RETURN(GD250N)	1	
10	09401H14401	CLAMP,BREATH OIL RETURN(GT65)	2	

FIG 6-1



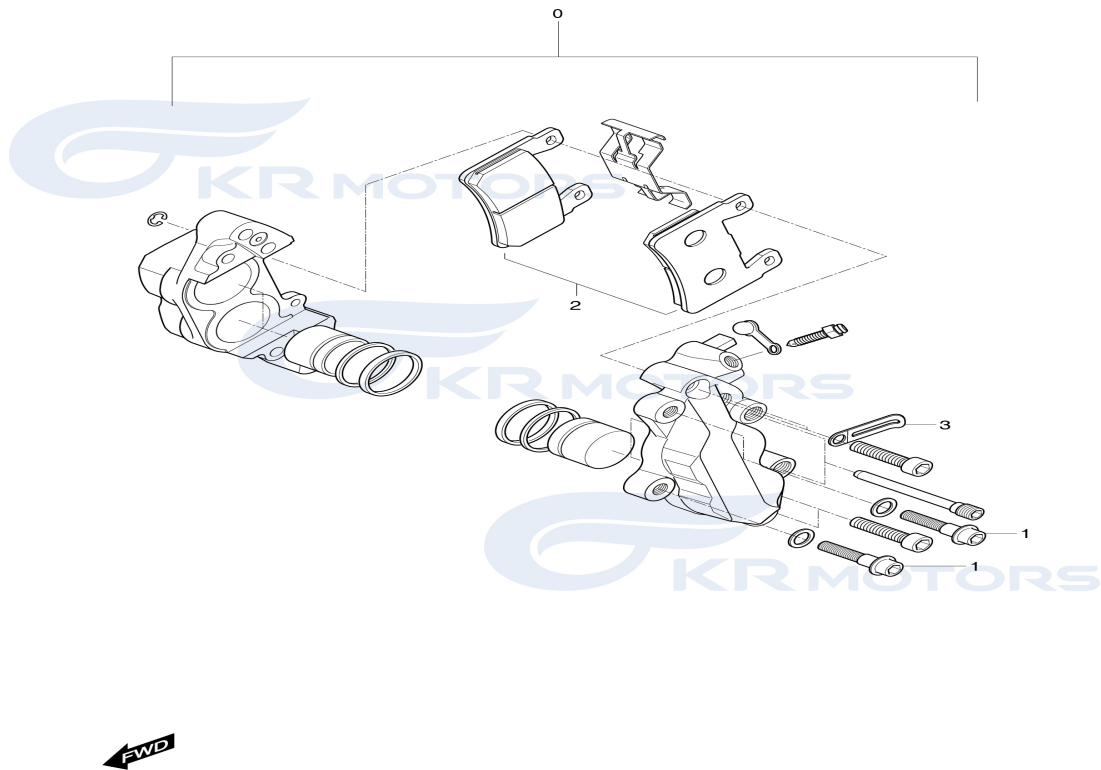
SEQ	PART CODE	PART NAME	U/S	REMARK
1	12651HC8111	BALANCER, CRANK	1	KM4NF46C3F1101479~(2014.06.13~) =12651HC8100
2	08113-63030	BEARING,DRIVE SHAFT	2	
3	12666HC8100	GEAR, BALANCER DRIVEN (GD250N)	1	
4	12667HC8100	GR,CRANK BALANCER DRIVEN (GD2)	1	=12667HP8800
5	21114HC8100	SPRING, BALANCER DRIVEN(GD250N)	3	
6	09421H04005	KEY BALANCER SHAFT (GD250N)	1	
7	08316-26128	NUT,MAGNET FLY	1	
8	09160H12005	WASHER,CRANK BALANCER (MS3)	1	
9	09164-12016	WASHER,CLUTCH ASS'Y	1	
10	09180H17007	SPACER, BALANCER GEAR	1	

FIG 20



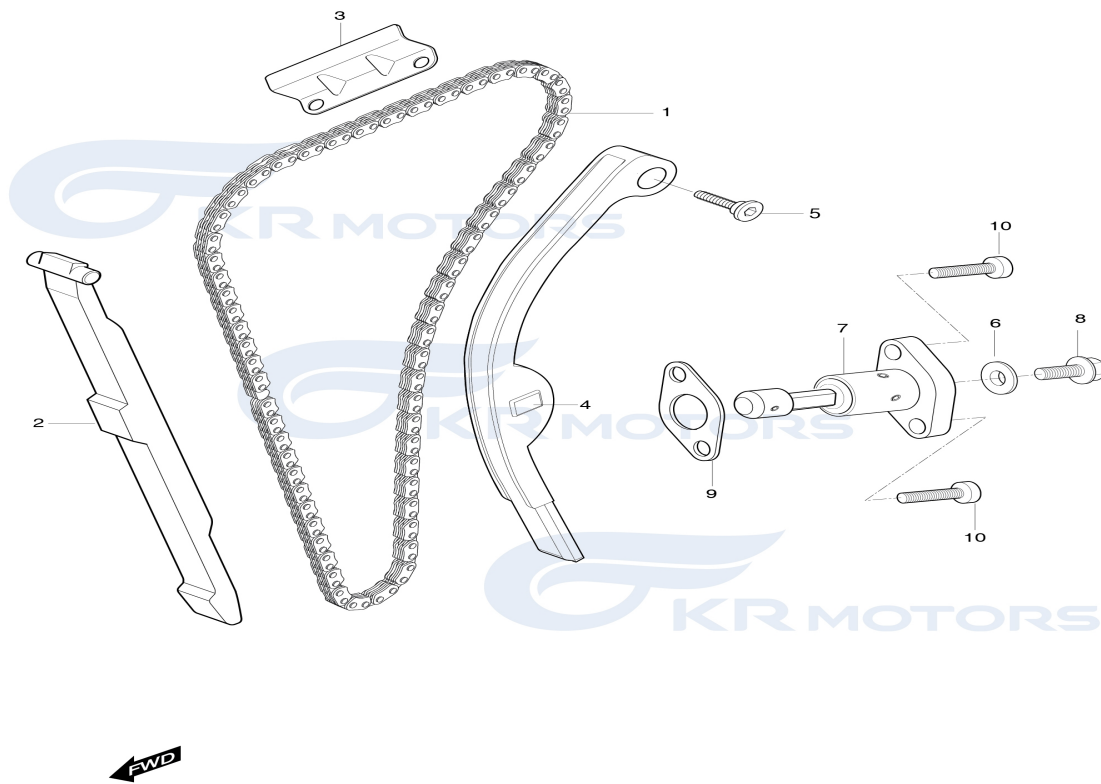
SEQ	PART CODE	PART NAME	U/S	REMARK
1	33610HP8800KOR	BATTERY ASS'Y(12V 10AH)(GT250R	1	
2	09462H00009	BAND BATTERY (RX)	1	
3	33860HC8100	LEAD WIRE, BATT MINUS (GD250N)	1	
4	01547-06148	BOLT,BRACKET PILLION (GA)	1	
5	09404-06401	CLAMP,OIL HOSE	1	

FIG 43



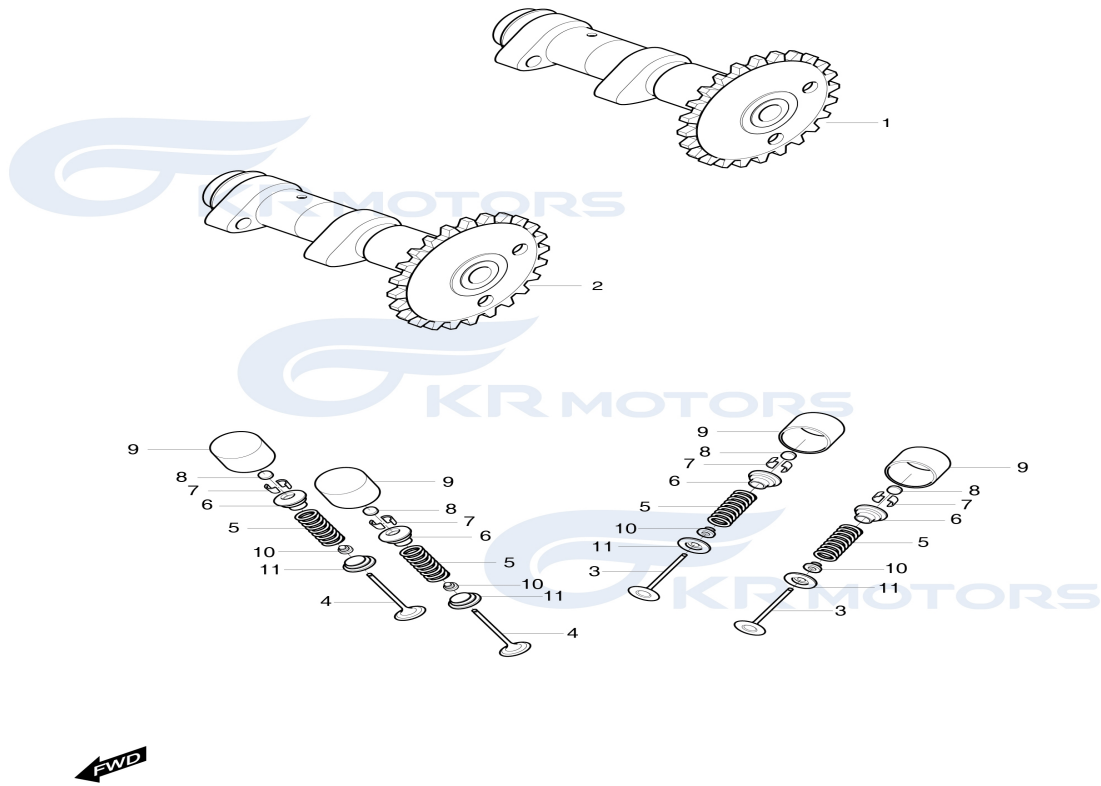
SEQ	PART CODE	PART NAME	U/S	REMARK
0	59300H99701HPA	FRONT CALIPER+PAD SET (GT650P)	1	
1	07120-08358	BOLT,CALIPER (GV650)	2	
2	59301H99700	PAD SET (GT650N)	1	
3	09404-08403	CLAMP,WIRING HARNESS	1	

FIG 9



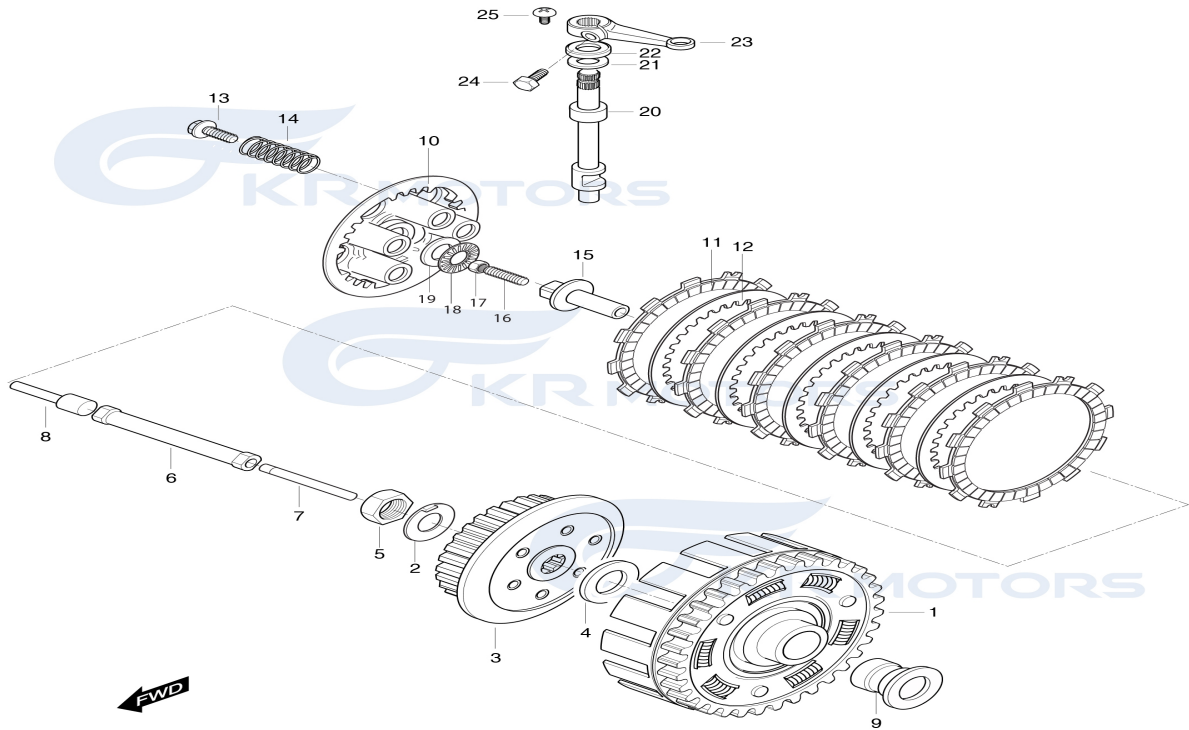
SEQ	PART CODE	PART NAME	U/S	REMARK
1	12760HP8800	CHAIN,CAM SHAFT DRIVE(MS3-250)	1	
2	12771HC8100	GUIDE, CAM CHAIN NO.1 (GD250N)	1	
3	12782HP7600	GUIDE,CAM CHAIN NO.2 (MS3)	1	
4	12811HC8102	TENSIONER, CAM CHAIN (GD250N)	1	
5	12812HP7600	BOLT,CAM CHAIN TENSIONER (MS3)	1	
6	09161H11008	WASHER,CYLINDER HEAD COVER(GD)	1	
7	12830H98A00	ADJUSTER ASS'Y, TENSIONER	1	
8	12839HN9120	SCREW,TENSIONER ADJUSTER(GT250)	1	
9	12837HP7600	GASKET,TENSIONER ADJUSTER (GT)	1	
10	07110-06208	BOLT,FRONT FENDER LH (GD,GA-F)	2	

FIG 8



SEQ	PART CODE	PART NAME	U/S	REMARK
1	12710HC8100HPA	CAMSHAFT ASS'Y,INTAKE (GD250N)	1	
2	12720HC8101HPA	CAMSHAFT EXHAUST ASS'Y(GD250N)	1	
3	12911HP8800	VALVE,INTAKE (MS3)	2	
4	12912HP8800	VALVE,EXHAUST (MS3)	2	
5	12921HC8100	SPRING, VALVE (GD250N)	4	
6	12931HJ8200	RETAINER,VALVE SPRING (GV250)	4	
7	12932HJ8200	COTTER,VALVE (GV250)	8	
8	12892-05C00170	SHIM TAPPET (GD)	4	
9	12881H88400	TAPPET (GV250N)	4	
10	09289H04002	SEAL,VALVE STEM OIL (GV250)	4	
11	12933HJ8200	SEAT,VALVE SPRING (GV250)	4	

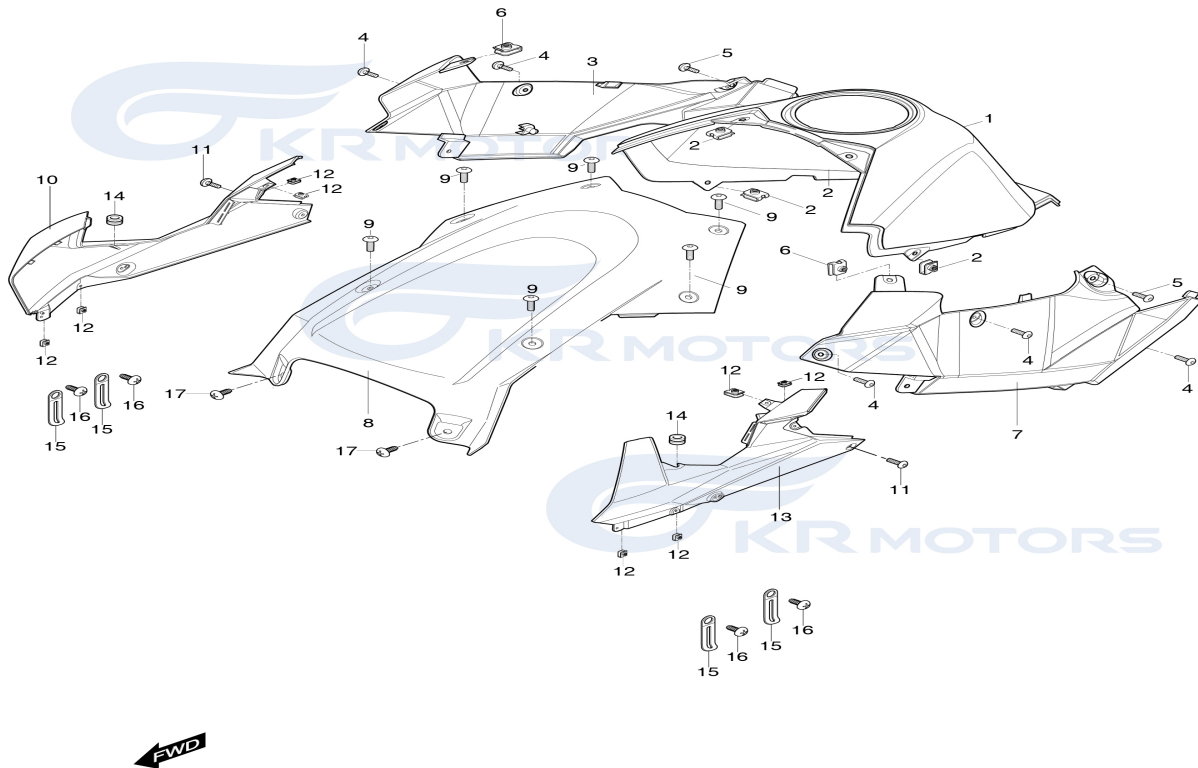
FIG 15



SEQ	PART CODE	PART NAME	U/S	REMARK
1	21210HC8100HPA	GEAR ASS'Y,PRIMARY DRIVEN	1	
2	09169H16001	LOCK WASHER,CLUTCH SLEEVE(GV25	1	
3	21411HC8100	HUB, CLUTCH SLEEVE (GD250N)	1	
4	09160H20003	WASH,PRIMARY DRIVEN GR (GT650)	1	
5	09140-16014	NUT,CLUTCH SLEEVE	1	
6	23110HJ8202	ROD COMP,CLUTCH PUSH (GT250)	1	
7	23113HJ8200	ROD,CLUTCH PUSH R (GV250)	1	
8	23115HN9100	ROD,CLUTCH PUSH NO.2 (GT650)	1	
9	21251H13E00	SPACER PRIM DRVN GEAR (125CC	1	
10	21462HJ8201	DISK,CLUTCH PRESSURE (GV250)	1	
11	21441HJ8201	PLATE,CLUTCH DRIVE (GV250)	6	
12	21451HJ8201	PLATE,CLUTCH DRIVEN (GV250)	5	
13	09116H05001	BOLT,CLUTCH SPRING 5*20(GV250)	5	
14	09440H16003	SPRING,CLUTCH (GV250)	5	
15	23121-38201	PIECE CLUTCH PUSH (GD)	1	
16	09134-06010	SCREW,CLUTCH RELEASE	1	
17	08310-22068	NUT,UNIT&COIL (GV650)	1	

18	09263H15001	BEARING,CLUTCH RELEASE	1
19	09160-15015	THRUST WASHER,CLUTCH RELEASE	1
20	23122HG5100	SHAFT,CLUTCH RELEASE CAM (GV)	1
21	08211-10201	THRUST WASHER,CLUTCH RELEASE	1
22	09282-10007	OIL SEAL,CLUTCH RELEASE CAM	1
23	23271HJ8250	ARM,CLUTCH RELEASE (GV250- KEU	1
24	01107-06168	BOLT,RELEASE ARM (GT250RN)	1
25	02142-06108	SCREW,KICK STARTER	1

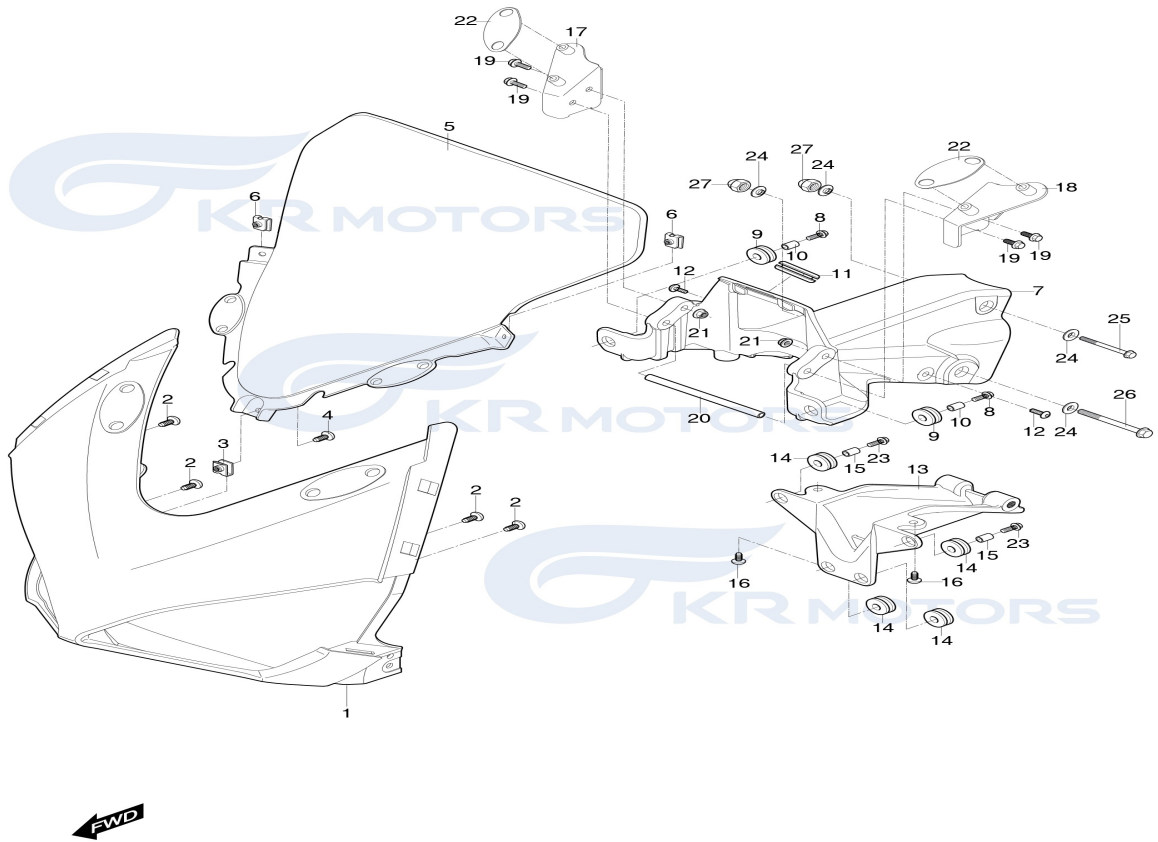
FIG 36



SEQ	PART CODE	PART NAME	U/S	REMARK
1-1	94411HC8100TBK	COVER, F/TANK CENTER (GD250N)	1	BIKE COLOR : LG, ST, WP
2	09148H05030	NUT, SIDE COVER (GT)	4	
3-1	94421HC8100TLG	COVER, FUEL TANK R (GD250R)	1	BIKE COLOR : LG
3-2	94421HC8100TST	COVER, FUEL TANK R (GD250N)	1	BIKE COLOR : ST
3-3	94421HC8100TWP	COVER, FUEL TANK R (GD250R)	1	BIKE COLOR : WP
4	09106H05120	SCREW, SIDE COVER R & UNDER	6	
5	09106H06150	WRENCH BOLT 6*15MM (GT650)	2	
6	09148H05030	NUT, SIDE COVER (GT)	2	
7-1	94431HC8100TLG	COVER, FUEL TANK L (GD250R)	1	BIKE COLOR : LG
7-2	94431HC8100TST	COVER, FUEL TANK L (GD250N)	1	BIKE COLOR : ST
7-3	94431HC8100TWP	COVER, FUEL TANK L (GD250R)	1	BIKE COLOR : WP
8	94441HD8500TBK	COVER, FRONT CENTER (GD250R)	1	BIKE COLOR : LG, ST, WP
9	09136H05120	BOLT (GD250N)	6	
10	94451HD8500TLG	COVER, FRONT R (GD250R)	1	BIKE COLOR : LG
10	94451HD8500TST	COVER, FRONT R (GD250R)	1	BIKE COLOR : ST
10	94451HD8500TWP	COVER, FRONT R (GD250R)	1	BIKE COLOR : WP
11	09136H06150	BOLT (GD250N)	4	
12	09263H15018	BEARING, COUNTER SHAFT L (GV)	8	

13	94461HD8500TLG	COVER, FRONT L (GD250R)	1
13	94461HD8500TST	COVER, FRONT L (GD250R)	1
13	94461HD8500TWP	COVER, FRONT L (GD250R)	1
14	09320-09016	CUSHION, TOOL HOLDER	2
15	09404-06401	CLAMP, OIL HOSE	4
16	03241-05125	SCREW LOWER COVER CENT (EZ,	4
17	09136H06150	BOLT (GD250N)	2

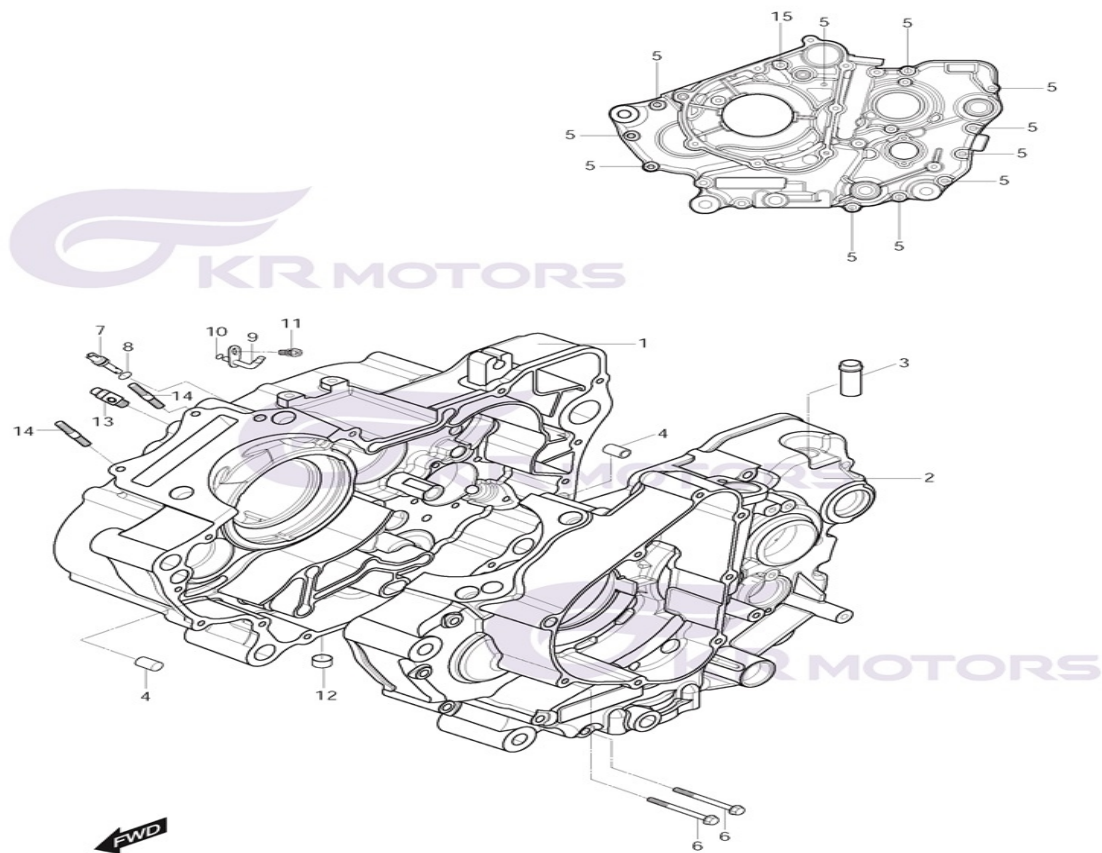
FIG 36-1



SEQ	PART CODE	PART NAME	U/S	REMARK
1	94411HD8500TBK	COWLING, BODY FRONT (GD250R)	1	
2	03241-05125	SCREW LOWER COVER CENT (EZ,	4	
3	09148H05030	NUT,SIDE COVER (GT)	1	
4	09106H05150	WRENCH BOLT 5*15MM	1	
5-1	94611HD8500	WINDSCREEN (GD250R)	1	
5-2	68256HD8500CRK	SYMBOL, KR WINDSCREEN (GD250R)	1	
6	09148H05030	NUT,SIDE COVER (GT)	2	
7	94510HD8500	BRACE COMP, COWLING UPPER	1	
8	09116-06143	BOLT OIL COOLER (GSX)	2	
9	09320-09016	CUSHION,TOOL HOLDER	2	
10	09180-06011	SPACER,BATT HOLE	2	
11	09320H06002	CUSHION (GV)	1	
12	09106H05150	WRENCH BOLT 5*15MM	2	
13	94520HD8500	BRACE COMP, COWLING LOWER	1	
14	09320-09016	CUSHION,TOOL HOLDER	4	
15	09180-06011	SPACER,BATT HOLE	2	
16	09106H05150	WRENCH BOLT 5*15MM	2	
17	94550HD8500	BRACKET COMP, MIRROR RH(GD250R)	1	

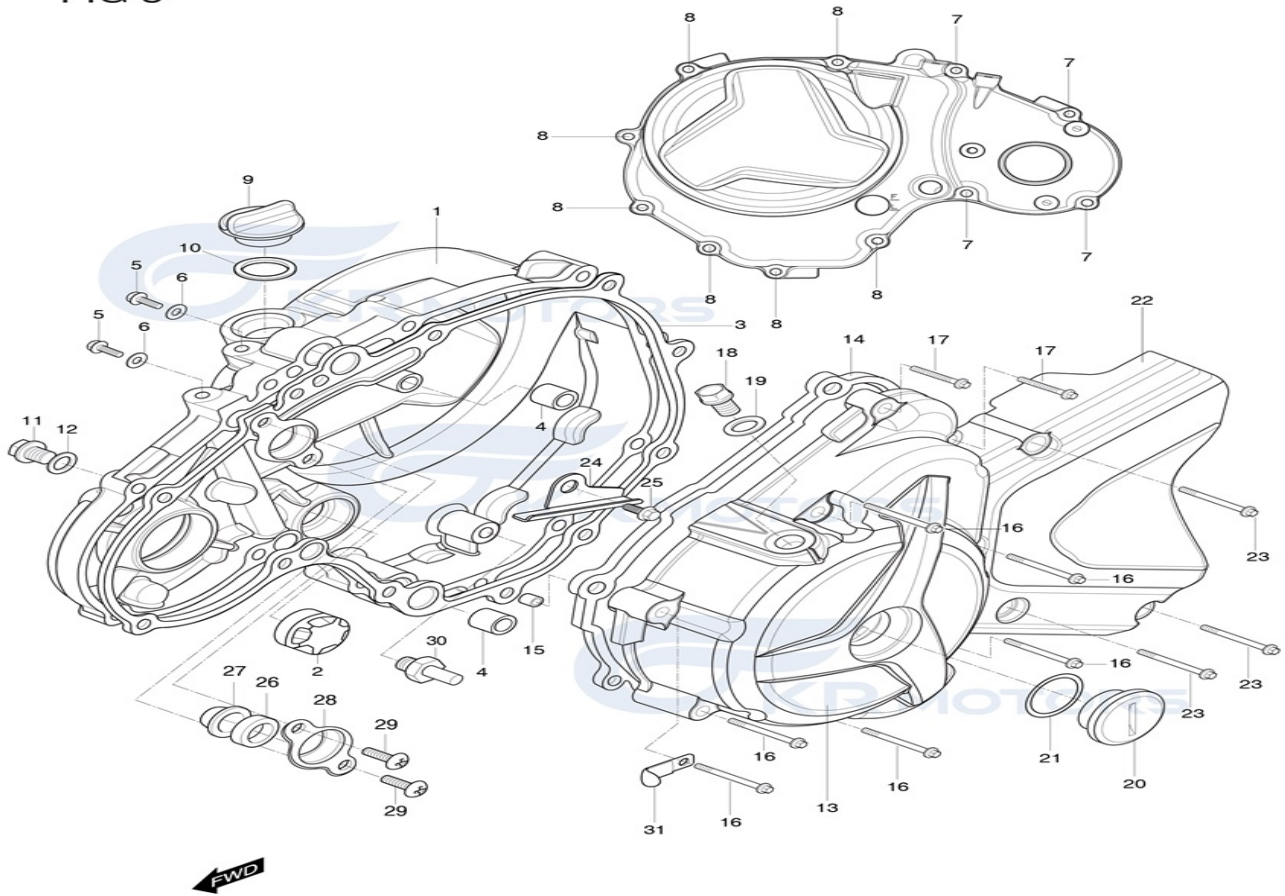
18	94560HD8500	BRACKET COMP, MIRROR LH(GD250R)	1
19	01517-06205	BOLT,SPORT CARRIER (FX)	4
20	94515HD8501	SPACER, COWL UP BRACE & MIRROR	1
21	08316-16068	NUT (GV650)	2
22	56503HD8500	CUSHION, REAR VIEW MIRROR	2
23	09116-06143	BOLT OIL COOLER (GSX)	2
24	09180H08020	SPACER, BRACE COMP (GD250R)	4
25	01517-08658	BOLT,ENGINE MOUNT,LOW	1
26	09103-08010	BOLT,ENGINE MOUNT L 90	1
27	08313-11088	NUT COW'G BRACE UPPER (GD)	2

FIG 4



SEQ	PART CODE	PART NAME	U/S	REMARK
0	11300HC8100HPA	CRANK CASE ASSY (GD250N)	1	
1	11310HC8100HPA	CRANK CASE R ASS'Y (GD250N)	1	PLUG + BEARING 4
2	11320HC8100HPA	CRANK CASE L ASS'Y (GD250N)	1	HOOK + UNION + BEARING 4
3	09364-12001	UNION,BREATHER HOSE	1	
4	04213-13189	PIN,CRANK CASE (GT&GV)	2	
5	01547-06558	BOLT,CRANK CASE	11	
6	01547-06808	BOLT,CRANKCASE (GD)	2	
7	11411HN9100	JET,OIL (GT650)	1	
8	09280H04001	O-RING,OIL JET (GT650)	1	
9	11430HC8100	JET COMP, PISTON OIL	1	
10	09280H04001	O-RING,OIL JET (GT650)	1	
11	02112-05105	SCREW,FRONT FORK COVER	1	
12	09246H10001	PLUG,OIL GALLERY	1	
13	16440HN9101	VALVE ASS'Y,OIL RELIEF (GT650)	1	
14	01421-06258	STUD BOLT CYLINDER (GA)	2	
15	01547-06658	BOLT,ENGIN PULLEY (GV650)	1	

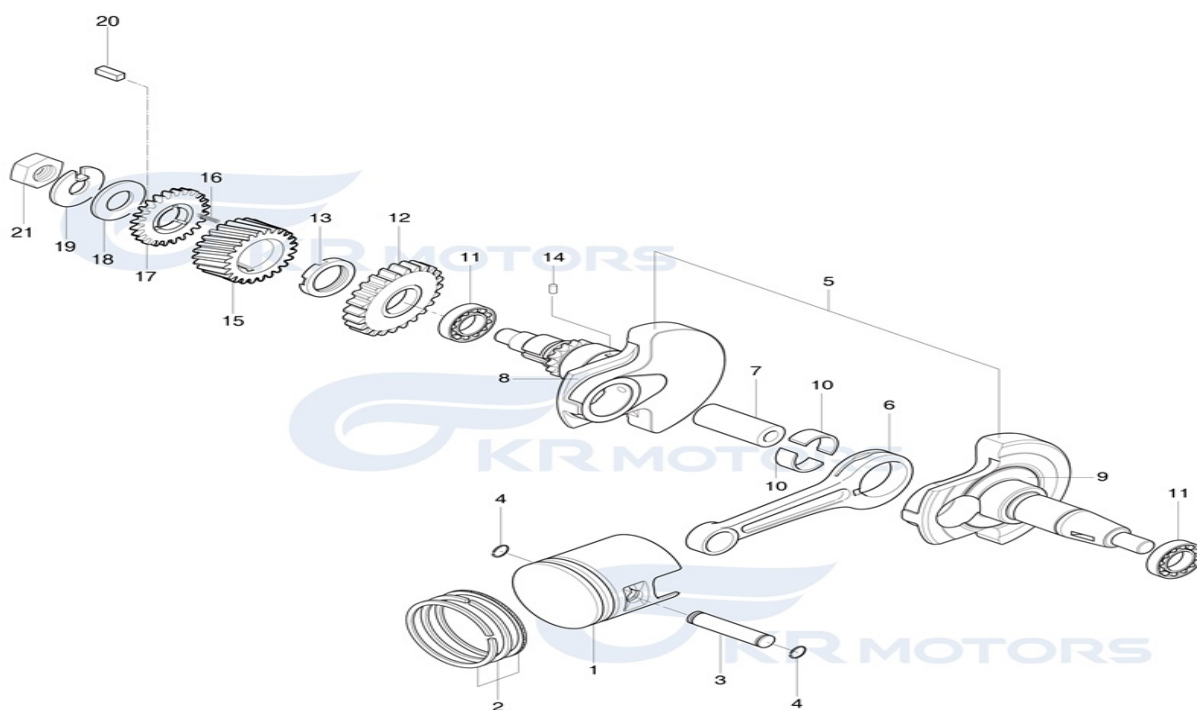
FIG 5



SEQ	PART CODE	PART NAME	U/S	REMARK
1	11341HC8102HPA	COVER COMP,CLUTCH (GD250R)	1	"KR" 8.29.2014~, KM4NF46D1F1100002 = 11341HC8101HPA "S&T"
2	11971-45010	LENS,OIL LEVEL (TN,RG,GS)	1	
3	11482HC8100	GASKET, CLUTCH COVER (GD250N)	1	
4	04213-13189	PIN,CRANK CASE (GT&GV)	2	
5	01517-06128	BOLT,OIL DRAIN	2	
6	09168H06019	GASKET,OIL GALLEY BOLT (GV)	2	
7	01547-06258	BOLT,INTAKE HEAD (GV650)	4	
8	01547-06358	BOLT,MAGET&SPROCKET COV	7	
9	09259-20012121	PLUG,ENGINE OIL FILTER (GD)	1	
10	09280-17003	O/RING,ENGINE OIL FILTER	1	
11	09247-14026	PLUG,BOLT	1	
12	09168H14003	GASKET,OIL CHECK PLUG (SB)	1	
13	11351HC8100121	COVER, MAGNETO (GD250N)	1	
14	11483HC8100	GASKET, MAGNETO COVER (GD250N)	1	
15	04213-09129	PIN,MAGNETO COVER	1	
16	01547-06408	BOLT,MAGNET COVER (GV650)	6	
17	01547-06258	BOLT,INTAKE HEAD (GV650)	2	

18	09247H12102	PLUG,T D C	1
19	09168H12003	GASKET,TDC PLUG (SB)	1
20	09259-26015121	PLUG,CRANK SHAFT HOLE□□(TN	1
21	09280-22008	O/RING,CRANK SHAFT HOLE PL	1
22	11360HC8100	COVER COMP, E/G SPROCKET(GD250	1
23	01547-06408	BOLT,MAGNET COVER (GV650)	3
24	24811HC8100	PLATE, OIL GUIDE (GD250N)	1
25	01547-06148	BOLT,BRACKET PILLION (GA)	1
26	09282-12001	OIL SEAL,CRANK SHAFT RH	1
27	11342HG5100	JET,CLUTCH COVER (GV)	1
28	11343HG5100	RETAINER,CLUTCH COVER (GV)	1
29	02112-06108	SCREW	2
30	25671-31C00	STOPPER,SHIFT ARM	1
31	09403H09304	CLAMP CLUTCH CABLE (GA)	1

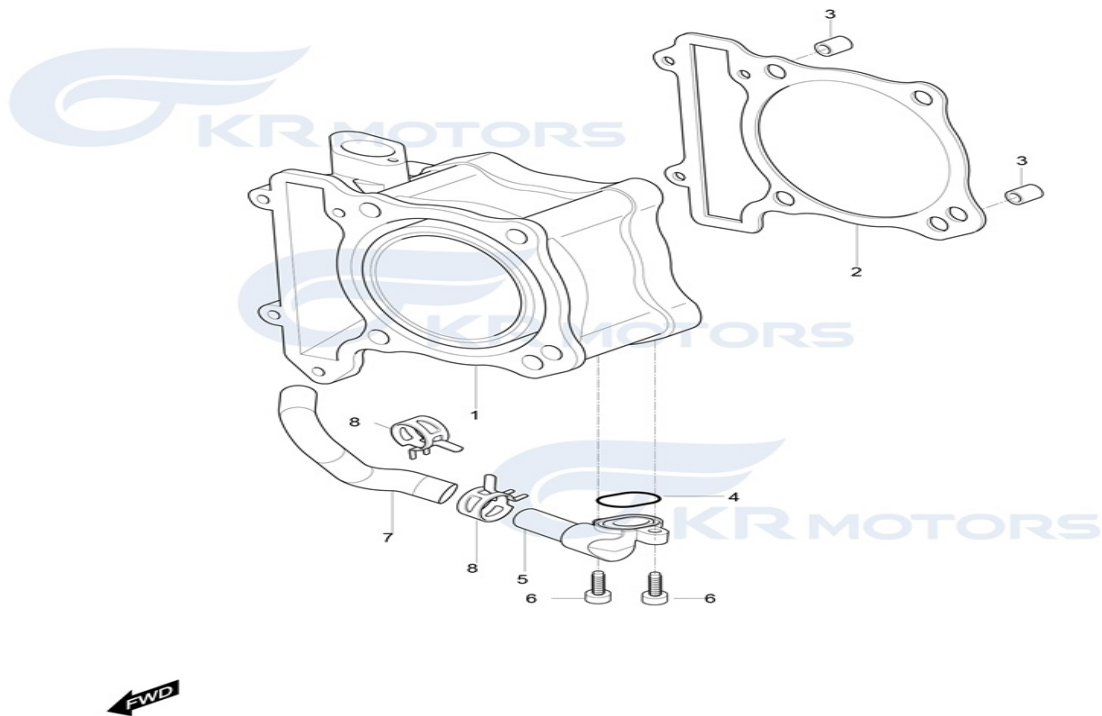
FIG 6



SEQ	PART CODE	PART NAME	U/S	REMARK
0	12111HP8810HPA	PISTON ASS'Y (GD250N)	1	
1	12111HP8810	PISTON (GD250N)	1	
2	12140HC8100	RING SET, PISTON (GD250N)	1	
2-1	12141HC8100	RING, PISTON 1ST (GD250N)	1	
2-2	12142HC8100	RING, PISTON 2ND (GD250N)	1	
2-3	12144HC8100	RING, PISTON OIL (GD250N)	1	
3	12151HP8810	PIN,PISTON (MS3-250D)	1	
4	09381H19001	CIRCLIP,PISTON PIN (TE450)	2	
5	12200HC8100HPA	CRANK SHAFT ASS'Y (GD250N)	1	
6	12161HP88030AO	ROD,CONNECTING (GD250)	1	=12161HP88000AO
7	12211HP8801HPA	CRANK PIN SET	1	with PLUG
10	12218HP88000A0	BEARING,CRANK PIN (MS3)	2	
11	09262H35002	BEARING,CRANK SHAFT L(RX125SM)	2	
12	12661HC8100	GEAR, CR BALANCER DRIVE(GD250N)	1	
13	09140H35001	NUT,CRANK BALANCER DRIVE (MS3)	1	
14	04221-04069	PIN,GEAR SHAFT CAM	1	
15	21111HC8100	GEAR, PRIMARY DRIVE (GD250N)	1	

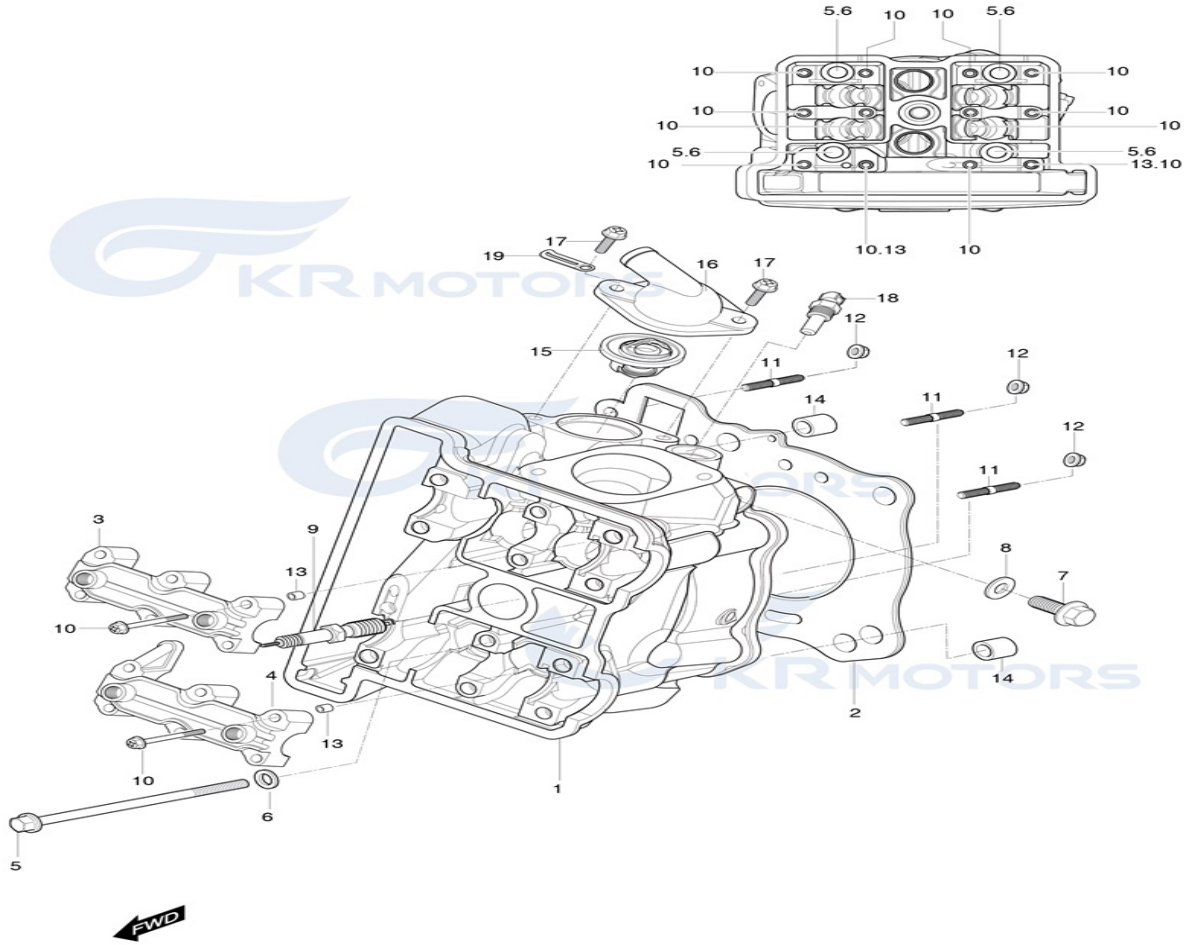
16	21114-35C00	SPRING PRIARY DRIVE GEAR(GSX)	3
17	21112HC8100	GEAR, PRIMARY DRIVE NO.2(GD250	1
18	09166H16021	WASHER,PRIMARY DRIVE GEAR(GV)	1
19	09166H16032	WASHER,PRIMARY DRIVE GEAR(GV25	1
20	09421H05001	KEY,PRIMARY DRIVE GEAR (GV250	1
21	09140-16019	NUT,PRIMARY DRIVEN GEAR	1

FIG 3



SEQ	PART CODE	PART NAME	U/S	REMARK
1	11210HP8802SCY	CYLINDER COMP (GD250N)	1	=11210HP8801SCY
2	11241HP7600	GASKET,CYLINDER (MS3)	1	
3	04213-13189	PIN,CRANK CASE (GT&GV)	2	
4	17541HP7600	O-RING,W/PUMP CONNECT CAP(MS3)	1	
5	17531HC8100	CAP COMP, WATER PUMP CONNECTOR	1	
6	09106-06030	BOLT,STARTER CLUTCH	2	
7	17491HC8101	HOSE, WATER PUMP OUTLETT(GD250)	1	
8	09401H24402	CLAMP,CONNECTOR INLET HOSE(GT6)	2	

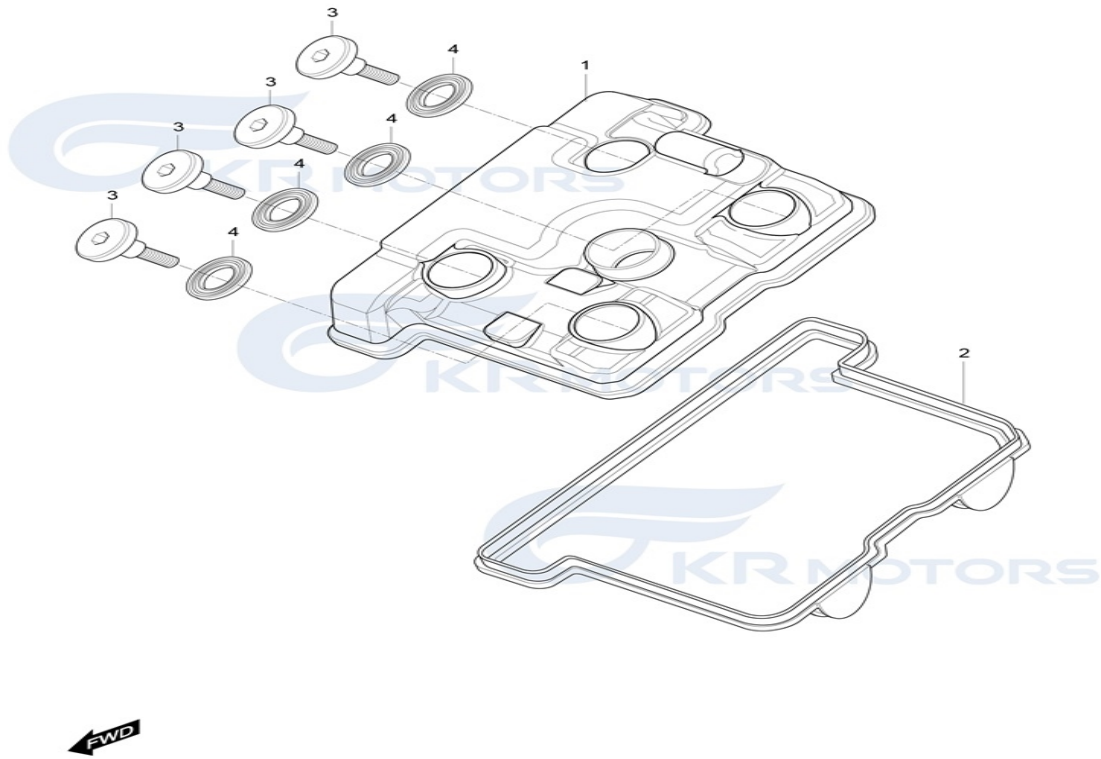
FIG 2



SEQ	PART CODE	PART NAME	U/S	REMARK
0	11110HC8100HPA	CYLINDER HEAD ASS'Y (GD250N)	1	~PCH+VALVE+THERMOSTAT UNION+...
1	11110SC8100HPA	CYLINDER HEAD COMP	1	
2	11141HC8100	GASKET, CYLINDER HEAD	1	
3	11131HP7600888	HOUS'G,CAM SHAFT INTAKE (MS3)	1	=>11110HC8100PCH or 11110HC8100HPA
4	11132HP7600888	HOUS'G,CAM SHAFT EXHAUST (MS3)	1	=>11110HC8100PCH or 11110HC8100HPA
5	09103H10006	BOLT, CYLINDER HEAD NO.1 (M10)	4	
6	09160H10002	WASHER,CYL HEAD BOLT (GT650)	4	
7	01517-06128	BOLT,OIL DRAIN	1	
8	09168H06019	GASKET,OIL GALLEY BOLT (GV)	1	
9	09482-00456HAS	SPARK PLUG(CR8E)	1	
10	07110-06408	BOLT,GEAR BOX COVER (GPS)	12	
11	01421-06258	STUD BOLT CYLINDER (GA)	3	
12	08316-16068	NUT (GV650)	3	
13	09206-08001	PIN,MAGNET COVER (GT&GV)	4	
14	04213-13189	PIN,CRANK CASE (GT&GV)	2	
15	17610HC8100	THERMOSTAT COMP (GD250N)	1	
16	17631HC8100	CAP,THERMOSTAT CONNECTOR(GD250)	1	

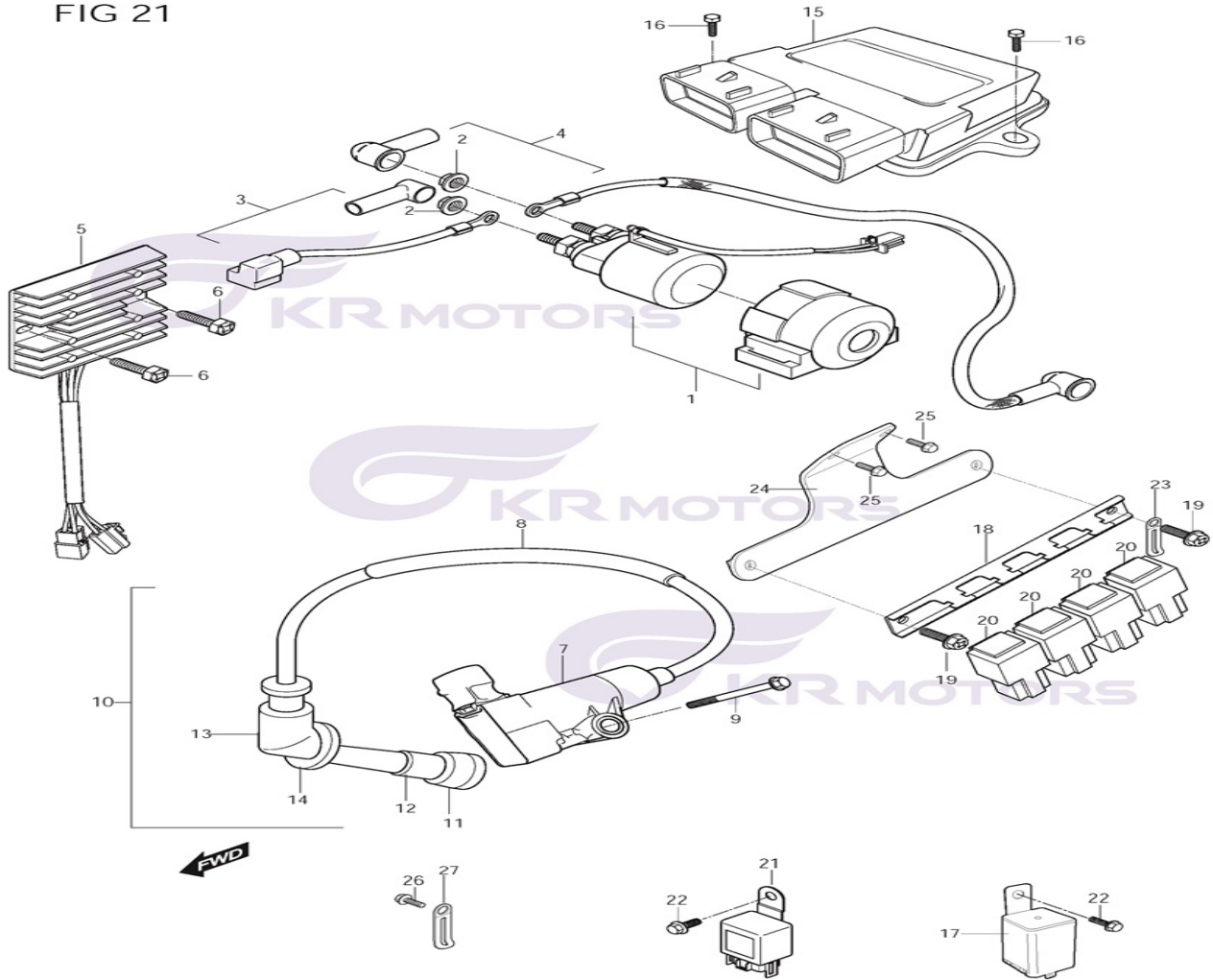
17	09128-06005	BOLT,FUEL COCK	2
18	17650HP9300	SENSOR,WATER TEMP&GUAGE(GV650F	1
19	09403-09301	CLAMP,BATTERY EXHAUST	1

FIG 1



SEQ	PART CODE	PART NAME	U/S	REMARK
1	11170HC8100121	COVER, CYLINDER HEAD	1	
2	11173HP7600	GASKET,CYL HEAD COV (MS3)	1	
3	09109H07018	BOLT,CYLINDER HEAD COVER (GV)	4	
4	09161H11008	WASHER,CYLINDER HEAD COVER(GD)	4	

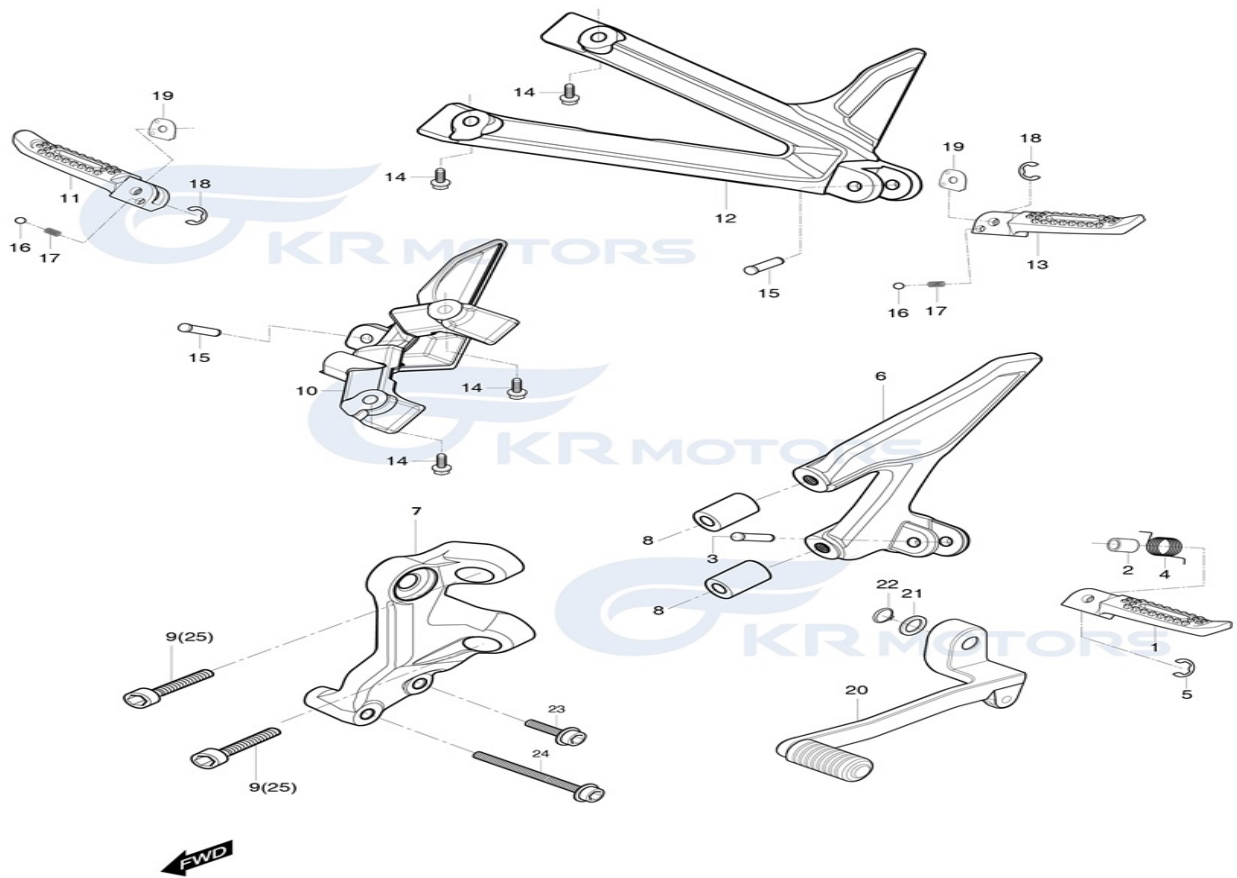
FIG 21



SEQ	PART CODE	PART NAME	U/S	REMARK
1	31800HG5100	RELAY ASSY'STARTING MOTOR (GV)	1	
2	08316-26066	NUT,REAR COMBI LAMP	2	
3	33840HC8100	LEAD WIRE,BATTERY PLUS(GD250N)	1	
4	33850HC8100	LEAD WIRE,STARTER MOTOR(GD250N)	1	
5	32800HN9121	RECTIFIER REGULATOR ASSY(GD250)	1	
6	09128-06039	SCREW,BATTERY HOLDER BAND (GV)	2	
7	33410H98A00	COIL ASSY,IGNITION (MS3)	1	
8	33415HC8100	CABLE, IGNITION COIL (GD250N)	1	
9	01547-06358	BOLT,MAGET&SPROCKET COV	1	
10	33500HC8102	CAP ASS'Y, SPARK PLUG (GD250N)	1	
15	32900HC8100	ENGINE CONTROL UNIT (GD250N)	1	
16	01517-06166	BOLT,STEERING LOCK (GV)	2	
17	38610HD8500	RELAY,TURN SIGNAL (GD250R)	1	
18	38742HD8500	BRACKET,RELAY (GD250R)	1	1 for NEW RELAY
19	01517-06166	BOLT,STEERING LOCK (GV)	2	
20	38740HD8500	RELAY ASS'Y,12V 20A (GD250R)	4	MUST with NEW BRACKET(38742HD8500)

21	38740HD8550	RELAY ASS'Y (GD250R)	1
22	01517-06125	BOLT,COVER CYLINDER HEAD	2
23	09404-06404	CLAMP,WIRING HARNESS	1
24	41320HD8500PAM	BRACKET COMP, FRAME & RELAY BR	1
25	01517-06125	BOLT,COVER CYLINDER HEAD	2
26	01517-06125	BOLT,COVER CYLINDER HEAD	1
27	09404-06401	CLAMP,OIL HOSE	1

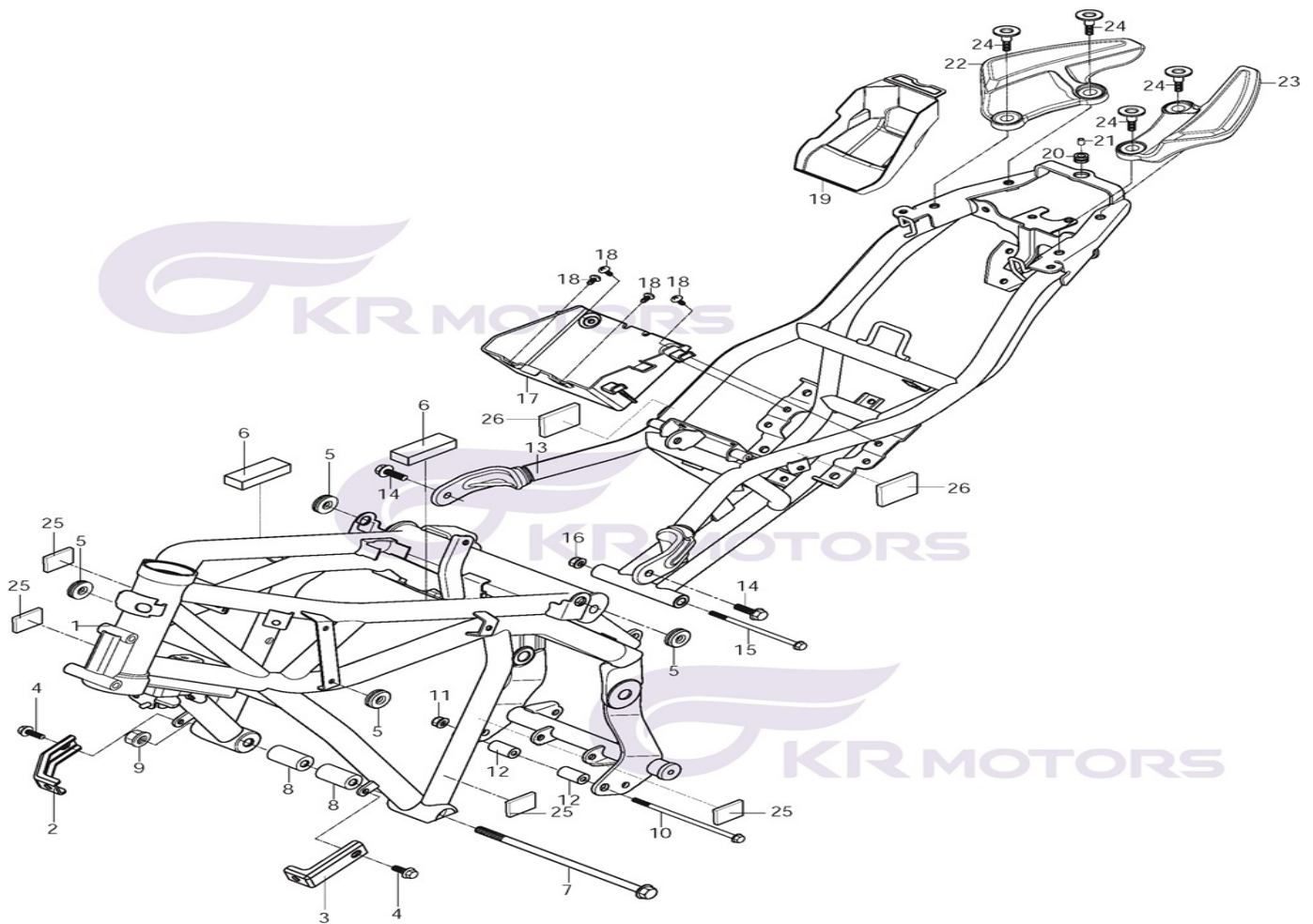
FIG 30



SEQ	PART CODE	PART NAME	U/S	REMARK
1	43571HC9701	FOOTREST,FRONT LH	1	
2	09180H08008	SPACER FRONT FOOTREST	1	
3	43579HM8101	PIN,FRONT FOOTREST (GT250)	1	
4	09448H14008	SPRING FRONT FOOTREST(GD250N)	1	
5	08332-11079	E-RING	1	
6	43540HC8100	BRKT FRONT FOOTREST L (GD250N)	1	
7	43560HC8101	BKT,F/T FOOTREST BACK L(GD250)	1	
8	43570HC8100	SPC,FT FOOT ADJUSTER (GD250N)	2	
9	07110-10658	BOLT,FT FOOT BKT&STEP(GD250N)	2	
10	43621HC8100	BKT,PILLION FOOTREST R(GD250N)	1	
11	43661HC8101	FOOTREST,PILLION RH (GD250N)	1	
12	43721HC8100	BKT,PILLION FOOTREST L(GD250N)	1	
13	43671HC8101	FOOTREST BAR, PILLION LH	1	
14	07110-08308	BOLT,DOWN TUBE	4	
15	43579HM8101	PIN,FRONT FOOTREST (GT250)	2	
16	06111H99D00	BALL, PILLION FOOTREST BAR	2	
17	09443H99D00	SPRING, PILLION FOOTREST	2	
18	08332-11079	E-RING	2	

19	43631HC8100	PLATE, PILLION STOPPER(GD250N)	2
20	25609HP920003P	LEVER,GR SHIFT CAM (GT650S)	1
21	08331-31159	CIRCLIP,KICK IDLE	1
22	09160H15002	WASHER,BRAKE PEDAL (GT250)	1
23	07120-08358	BOLT,CALIPER (GV650)	1
24	07120-08608	BOLT,CRANK CASE (GT650)	1
25	07110-10358	BOLT,MUFFLER SUPPORT	2 OPTION

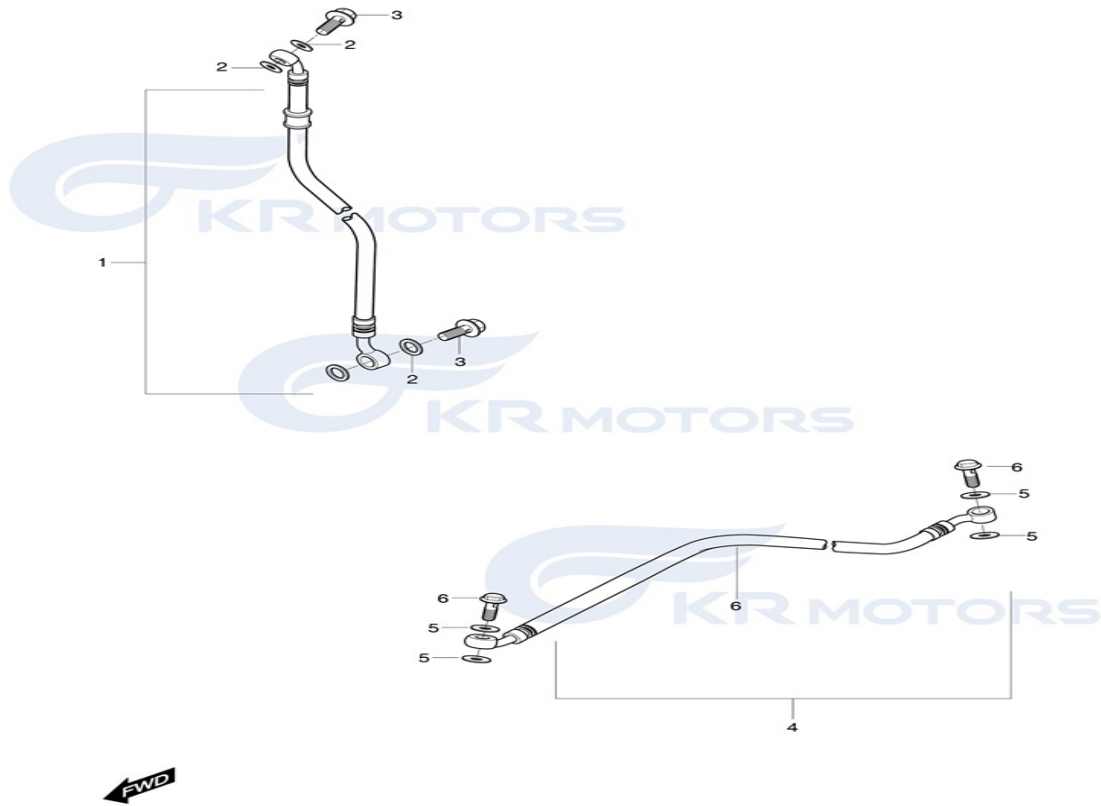
FIG 27



SEQ	PART CODE	PART NAME	U/S	REMARK
1	41100HD85000DR	FRAME COMP, FRONT (GD250R)	1	
2	17780HC8100	BKT COMP, RADIATOR RH (GD250N)	1	
3	17790HC8100	BKT COMP, RADIATOR LH (GD250N)	1	
4	01517-06125	BOLT,COVER CYLINDER HEAD	2	
5	09320-08018	CUSHION,FRAME COVER	4	
6	44613HC8100	CUSHION AIR,CLEANER (GD250N)	2	
7	09103H10100	BOLT, FM & EG FT L=320(GD250N)	1 L=310	
8	41185HN9100	SPACER,FM & E/G RR UPP (GT650)	2 L=50	
9	08319-31108	NUT,FRONT SORBER	1	
10	09103H10102	BOLT, FM & EG FT L=215(GD250N)	1	
11	08319-31108	NUT,FRONT SORBER	1	
12	41185HC8100	SPACER,FM&EG RR L=41.4(GD250N)	2	
13	41500HC8100PAM	FRAME COMP, REAR (GD250N)	1	
14	09116H10061	BOLT,FRONT FOOTREST BAR	2	
15	09103H10153	BOLT E/G M.T.G REAR (GT250RN)	1	
16	08319-31108	NUT,FRONT SORBER	1	
17	41541HC8100	HOLDER, BATTERY (GD250N)	1	
18	02142-06125	SCREW,COVER LEG SHIELD	4	

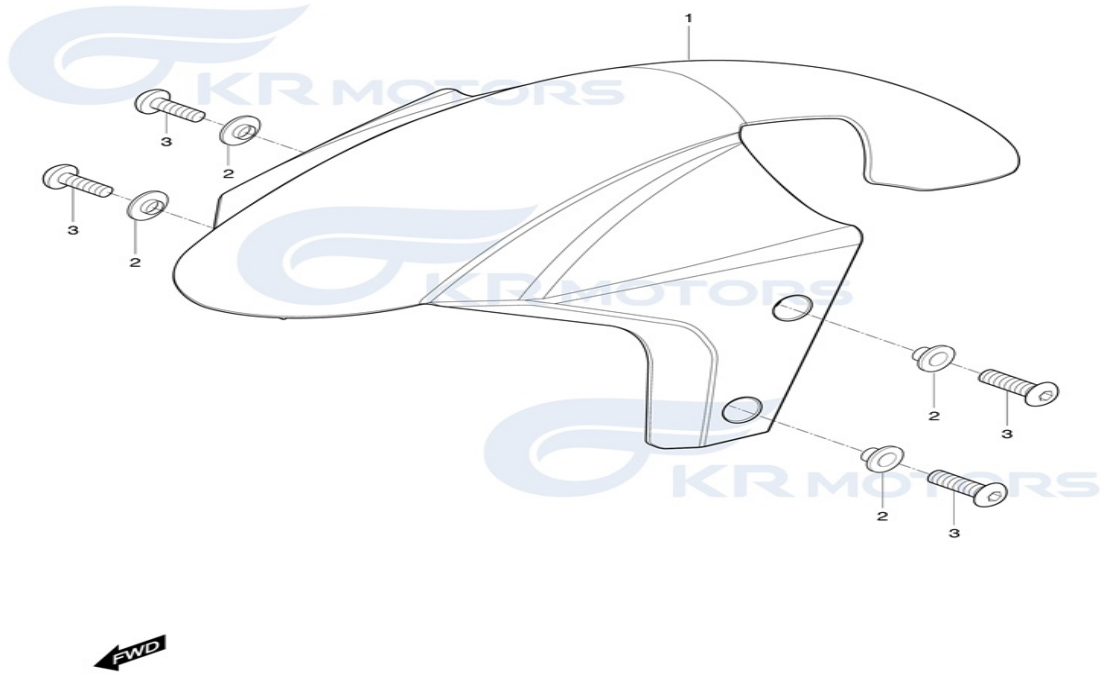
19	91311HC8100	BOX, TRUNK (GD250N)	1
20	09320-09016	CUSHION, TOOL HOLDER	1
21	09180-06011	SPACER, BATT HOLE	1
22	47511HC8100	GRIP, PILLION RIDER R (GD250N)	1
23	47521HC8100	GRIP, PILLION RIDER L (GD250N)	1
24	09106-08010	BOLT, PILLION RIDER (GD250N)	4
25	51815HN9100	TAPE, HEAD LAMP HOUSING L(GT650)	4
26	44613HE7100	CUSHION, OIL TANK NO.2 (EZ)	2

FIG 45



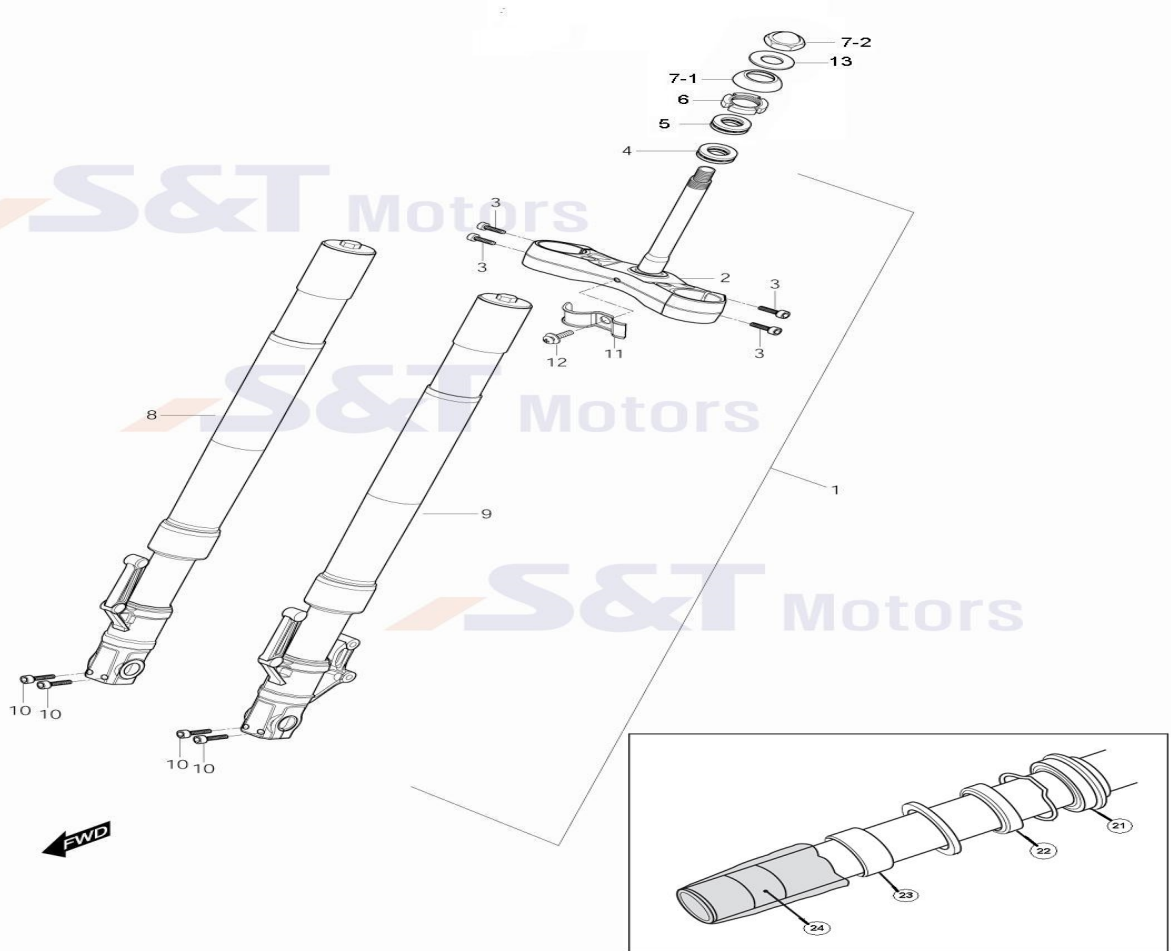
SEQ	PART CODE	PART NAME	U/S	REMARK
1	59480HD8500	HOSE COMP, FT BRAKE (GD250R)	1	
2	09161-10009	WASHER,BRAKE FLUID (FX)	4	
3	09360-10039	BOLT BRAKE FLUID (AG)	2	
4	69480HC8100	HOSE COMP, REAR BRAKE (GD250N)	1	
5	09161-10009	WASHER,BRAKE FLUID (FX)	4	
6	09360-10039	BOLT BRAKE FLUID (AG)	2	

FIG 39



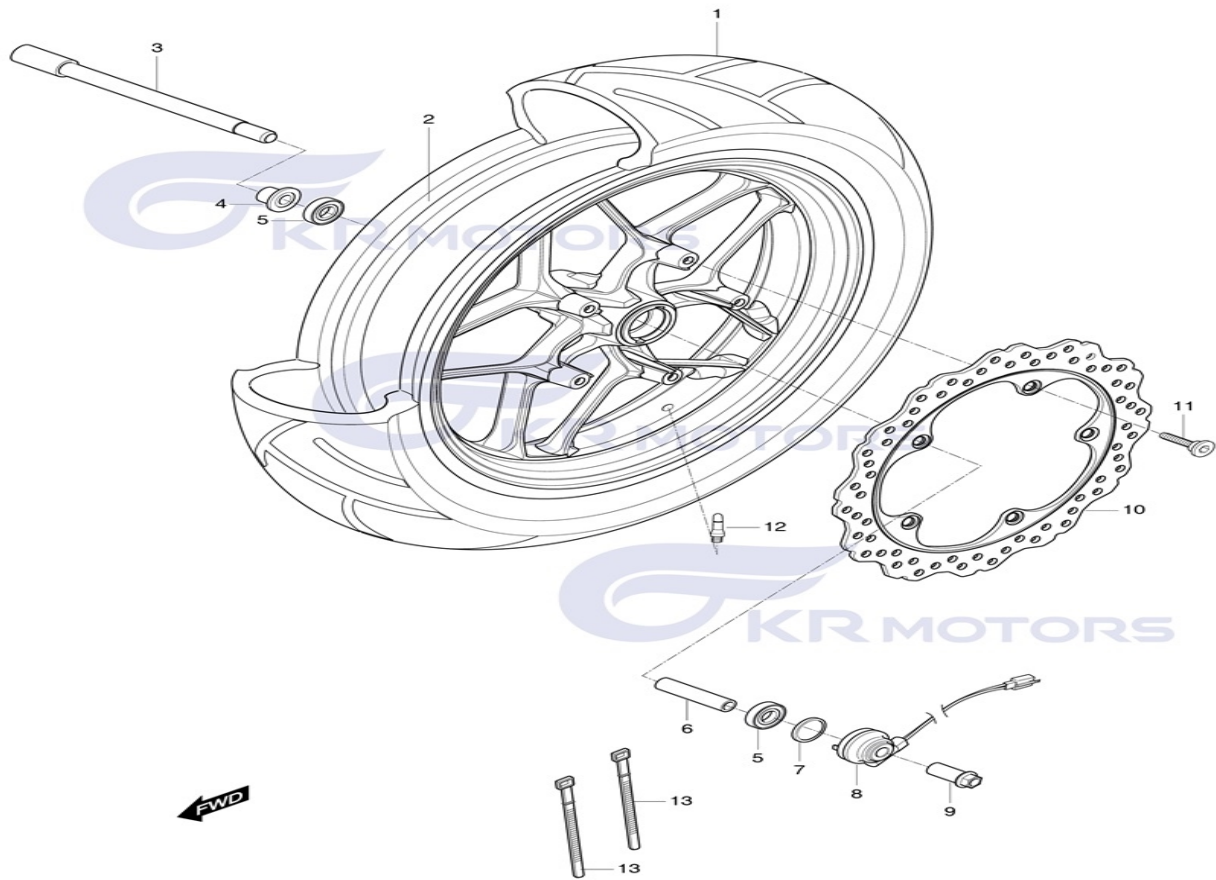
SEQ	PART CODE	PART NAME	U/S	REMARK
1	53111HC8100TBK	FENDER, FRONT (GD250R)	1	
1-1	68154HD8500AD1	TAPE, FRONT FENDER RH (GD250R)	1	
1-2	68156HD8500AD1	TAPE, FRONT FENDER LH (GD250R)	1	
2	09169H06078	WASHER,FRONT FENDER (GT650)	4	
3	09106H06150	WRENCH BOLT 6*15MM (GT650)	4	

FIG 36



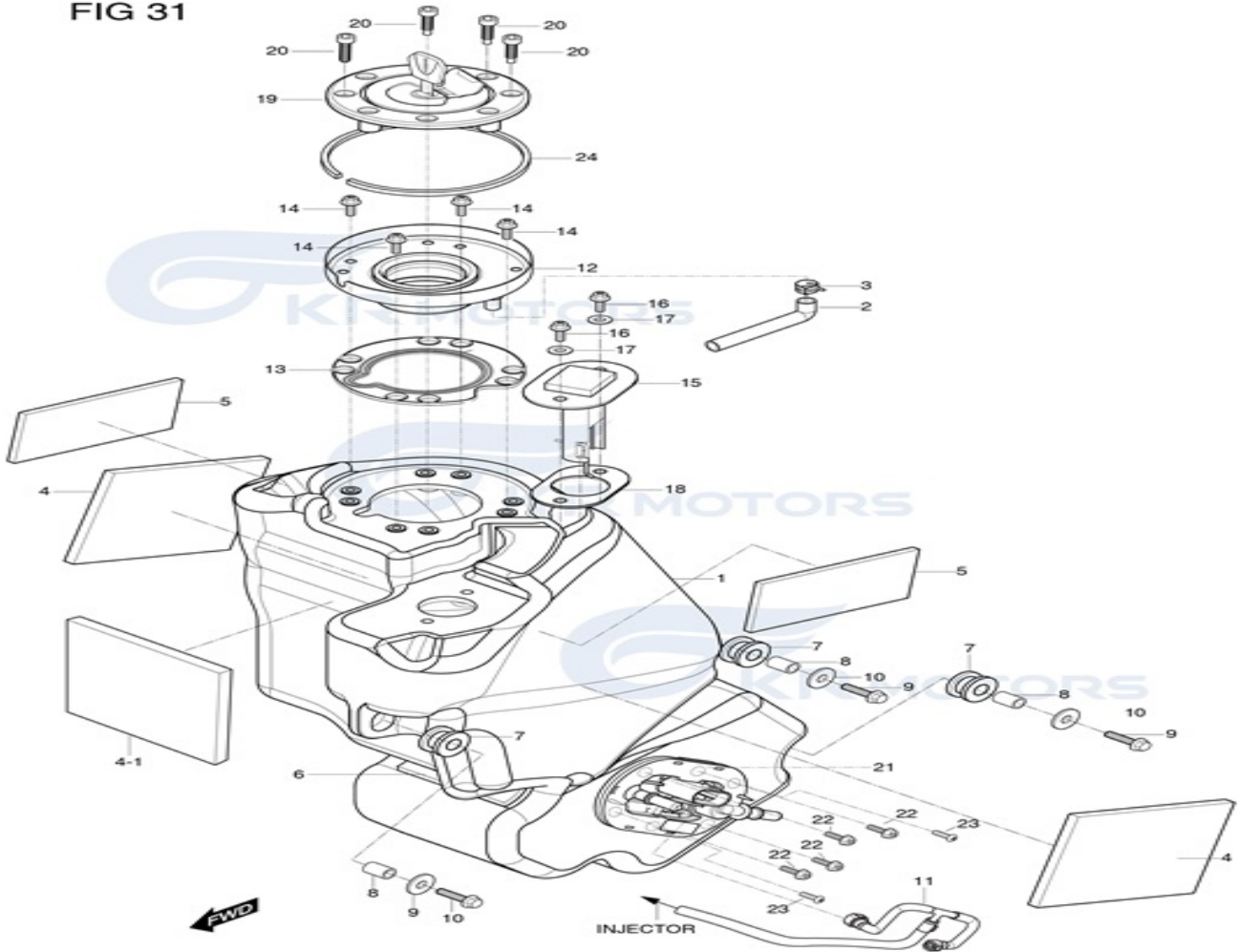
SEQ	PART CODE	PART NAME	U/S	REMARK
1	51100HC8100HPA	FORK ASSY, FRONT (GD250N)	1	
2	51410HC8100HPA	BRACKET COMP,FT FORK UNDER	1	=51411HC8100+51412SC8100+09265H28001
3	07110-08255	BOLT,EXHAUST PIPE	4	
4	09265H28001	BEARING,STEERING LOWER (RX)	1	
5	09265H25001	BEARING,STEERING UPPER (RX)	1	
6	51631-28000	NUT,STEERING	1	
7-1	51643HG5801	DUST SEAL,STEERING UPPER (RX)	1	
7-2	51631HN9101	NUT,STEERING STEM UPPER(GT250)	1	
8	51210HC8100	DAMPER ASSY, FT FORK R(GD250N)	1	
9	51220HC8100	DAMPER ASSY, FT FORK L(GD250N)	1	
10	07110-08408	BOLT,REAR PULLEY (GV650)	4	
11	59266HD8500	CLAMP, BRAKE HOSE (GD250R)	1	
12	02112-06168	SCREW	1	
13	09166H25001	WASHER,STEERING STEM (GT650)	1	
21	09289H37250	DUST SEAL, FORK (GD250N)	1	
22	09285H37250	OIL SEAL, FORK (GD250N)	1	Ø49
23	51214HC8100	PISTON, FORK (GD250N)	1	
24	51213HC8100	METAL SLIDE, FORK (GD250N)	1	

FIG 40



SEQ	PART CODE	PART NAME	U/S	REMARK
0	54140HC8100HPA	WHEEL,FRONT ASS'Y (GD250N)	1	WHEEL+BEARING+SPACE+TIRE+DISC+...
0-1	54140SC8100120	WHEEL,FRONT ASS'Y (GD250N)	1	BLACK ASSY
1	55101HC8100	TIRE COMP, FRONT (GT250R)	1	
2	54141HC8100	WHEEL,FT(J17×MT3.00)(GD250N)	1	WHITE
2-1	54141HC8100120	WHEEL,FT(J17×MT3.00)(GD250R)	1	BLACK
3	54711HC8100	AXLE, FRONT (GD250N)	1	
4	54740HM8101	SPACER COMP,FRONT AXLE R(GT250)	1	
5	08124-63027	BEARING FRONT HUB R/L (GV)	2	
6	54731HC8100	SPACER, FRONT HUB (GD250N)	1	
7	54690HM8101	COVER,SPEEDOMETER (GT250)	1	
8	34860HP9201	SENSOR,SPEEDOMETER (GT650R)	1	
9	54721HM8102	NUT,FRONT AXLE (GT250)	1	
10	59221HC8100	DISC COMP, FRONT (GD250N)	1	
11	59421-03A01	BOLT,FRONT BRAKE DISK (SBS)	5	
12	55220-29C20	VALVE ASS'Y	1	
13	09407-20402	CLAMP,WIRING HARNESS (GV250)	2	
15	64160H99D00	WEIGHT,WHEEL BALANCE(WHITE)ST7	1	

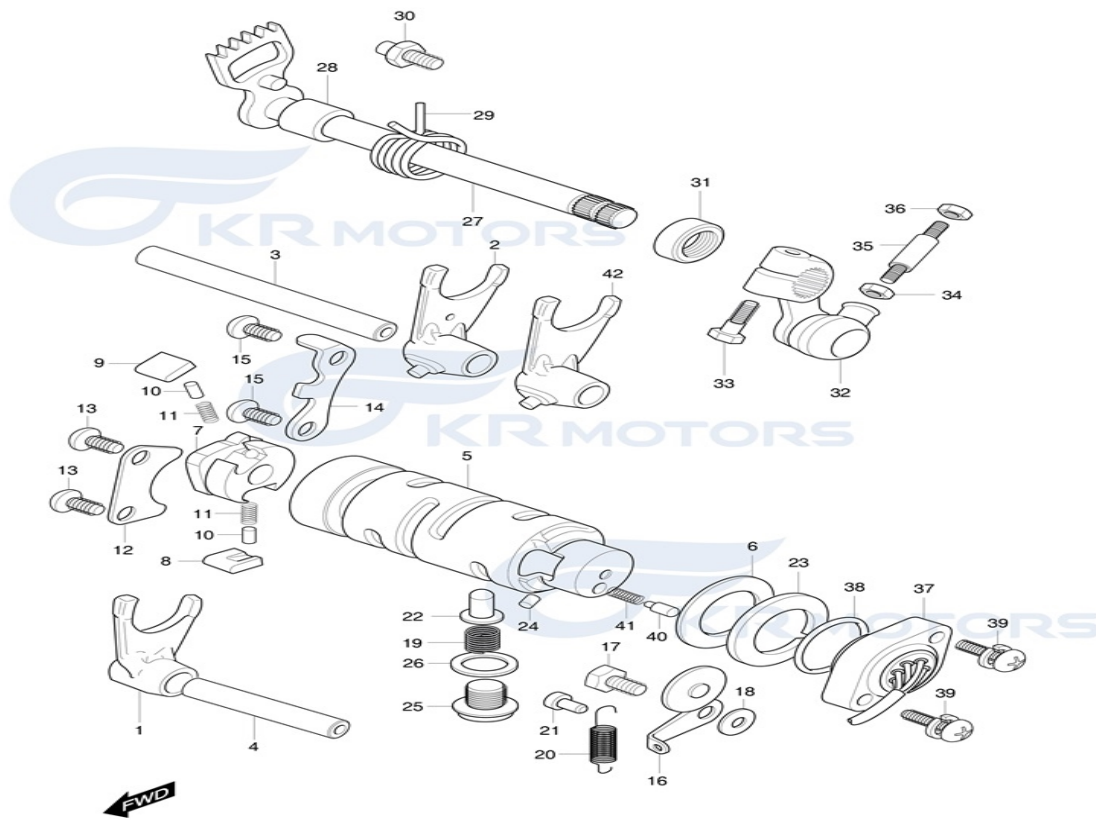
FIG 31



SEQ	PART CODE	PART NAME	U/S	REMARK
0	44100HC8103HPA	FUEL TANK ASSY (GD250R)	1	***FULL-SET
0-1	44110SC8103HPA	FUEL TANK ASS'Y (GD250N)	1	F/TANK+P/PUMP+CUSHION..
1	44110HC8102	TANK COMP, FUEL (GD250N)	1	
2	09352H70103650	HOSE,FUEL TANK (GV)	1	
3	09401-10401	CLIP,FUEL HOSE	1	
4	44214HC8100	CUSHION, FUEL TANK R/L(GD250N)	2	
4-1	44215HC8100	CUSHION, FUEL TANK FRONT UPPER	1	
5	44216HC8100	CUSHION, FUEL TANK UPPER R/L	2	
6	44217HC8100	CUSHION, FUEL TANK FRONT LOWER	1	
7	09320H10039	CUSHION,FUEL TANK (TE450)	3	
8	09180H06066	SPACER,FUEL TANK (TE450)	3	
9	01517-06256	BOLT,REAR SEAT (GV)	3	
10	09160-06060	WASHER,COMBI LAMP	3	
11	15810HC8100	HOSE COMP,FUEL INJECTO(GD250N)	1	
12	44120HC8101	PLATE COMP, F/TANK INLET(GD250	1	=44120HC8100
13	44125HC8100	SEAL,F/TANK INLET PLAT(GD250N)	1	
14	09128-05005	BOLT,FUEL TANK INLET (GD250R)	4	

15+18	34810HC8100SVC	FUEL SENDER GAUGE ASSY(GD250N)	1
16	01517-06128	BOLT,OIL DRAIN	2
17	09168-06010	GASKET FUEL LEVEL GAUGE (GA)	2
18+15	34810HC8100SVC	FUEL SENDER GAUGE ASSY(GD250N)	1
19	44200H35C30	CAP,FUEL TANK FILL (GT125)	1
20	09106-05017	BOLT F/TANK FILLER CAP (GT250R)	4
21	15100HC8101	PUMP ASS'Y,FUEL MODULE(GD250N)	1
22	09128-05005	BOLT,FUEL TANK INLET (GD250R)	4
23	09139H05014	SCREW,SPECIAL (GT650RN)	2
24	44126HC8100	CUSHION, F/TANK INLET (GD250N)	1

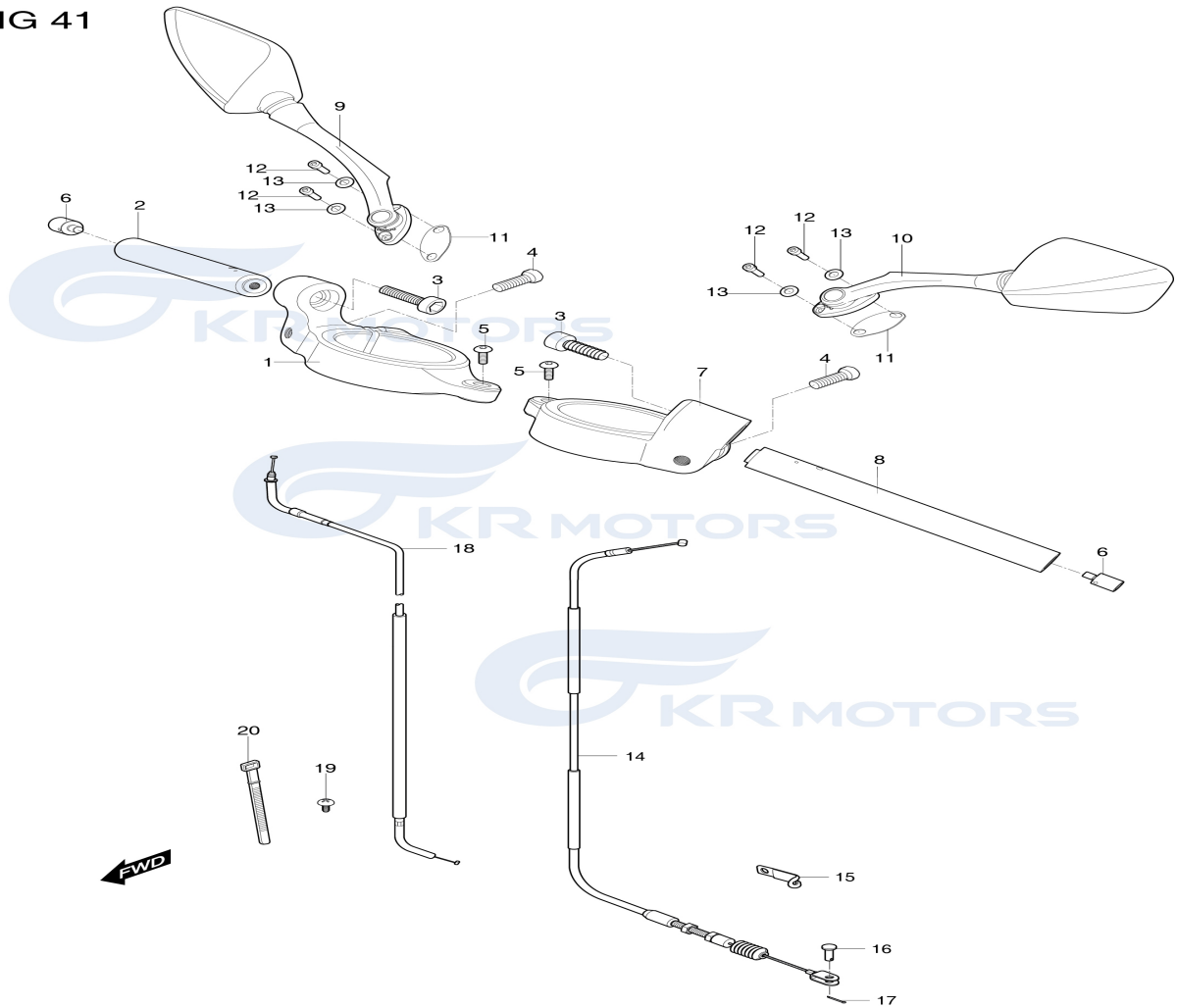
FIG 17



SEQ	PART CODE	PART NAME	U/S	REMARK
1	25211HC8100	FORK, GEAR SHIFT NO.1 (GD250N)	1	
2	25231HC8100	FORK, GEAR SHIFT NO.3 (GD250N)	1	
3	25411-05201	SHAFT GEAR SHIFT FORK NO1	1	
4	25421-35403	SHAFT SHIFT FORK (GV250N)	1	
5	25310HC8100	CAM COMP, GEAR SHIFT (GD250N)	1	
6	08211-25401	WASHER,GEAR SHIFT CAM	1	
7	25322-31301	GEAR,SHIFT CAM DRVN(TN,RG,GS)	1	
8	25323-34201	PAWL,GEAR SHIFT NO1(TN,RG,GS)	1	
9	25324-34201	PAWL,GEAR SHIFT NO2(TN,RG,GS)	1	
10	09261-05003	PIN,GEAR SHIFT	2	
11	09440-04003	SPRING,GEAR SHIFT PLATE	2	
12	25331-30000	LIFTER,GEAR SHIFT (TN,RG,GS)	1	
13	02122-06128	SCREW,OL GR SH	2	
14	25341HG5100	GUIDE,GEAR SHIFT CAM (GV)	1	
15	02122-06128	SCREW,OL GR SH	2	
16	25350HG5100	STOPPER,GEAR SHIFT CAM (GV)	1	
17	09111-06019	BOLT,GEAR SHIFT CAM STOP	1	
18	08211-06141	WASHER,GEAR SHIFT CAM	1	

19	09440H11020	SPRING,GEAR SHIFT CAM STOPP(GV	1
20	09443H08044	SPRING,GEAR SHIFT CAM STOPPER	1
22	25351-30010	STOPPER,GEAR SHIFT CAM N.	1
23	25381-45400	PLATE,GEAR SHIFT CAM STOPPER	1
24	04221-04069	PIN,GEAR SHAFT CAM	1
25	09247-14026	PLUG,BOLT	1
26	09168H14003	GASKET,OIL CHECK PLUG (SB)	1
27	25510HG5101	SHAFT COMP,GEAR SHIFT (GV250)	1
28	09180-12068	SPACER,SHAFT GEAR SHTG	1
29	09444-26013	SPRING	1
30	25671-01000	STOPPER,GR SHIFT	1
31	09285-12002	OIL SEAL,GEAR SHIFT (GV250)	1
32	25520-32C00	ARM COMP,G/SHIFT LINK (GD)	1
33	01107-06208	BOLT,GEAR SHIFT	1
34	08310-11068	NUT	1
35-1	25525HP9200	ROD,GR SHIFT LINK(L=240)(GT650	1
35-2	25525HR8320	ROD,GR SHIFT LINK(L=195)(GT250	1 Option
36	09140-06011	NUT,GR SHIFT LINK LH	1
37	37720HR8401	SWITCH ASS'Y,NEUTRAL (GV250N)	1
38	09280-26003	O/RING,GEAR SHIFT SWITCH	1
39	02112-95208	SCREW	2
40	09209-05011	CONTACT,GEAR S SWITCH	2
41	09440-04010	SPRING,GEAR SWITCH	1
42	25221HC8100	FORK, GEAR SHIFT NO.2 (GD250N)	1

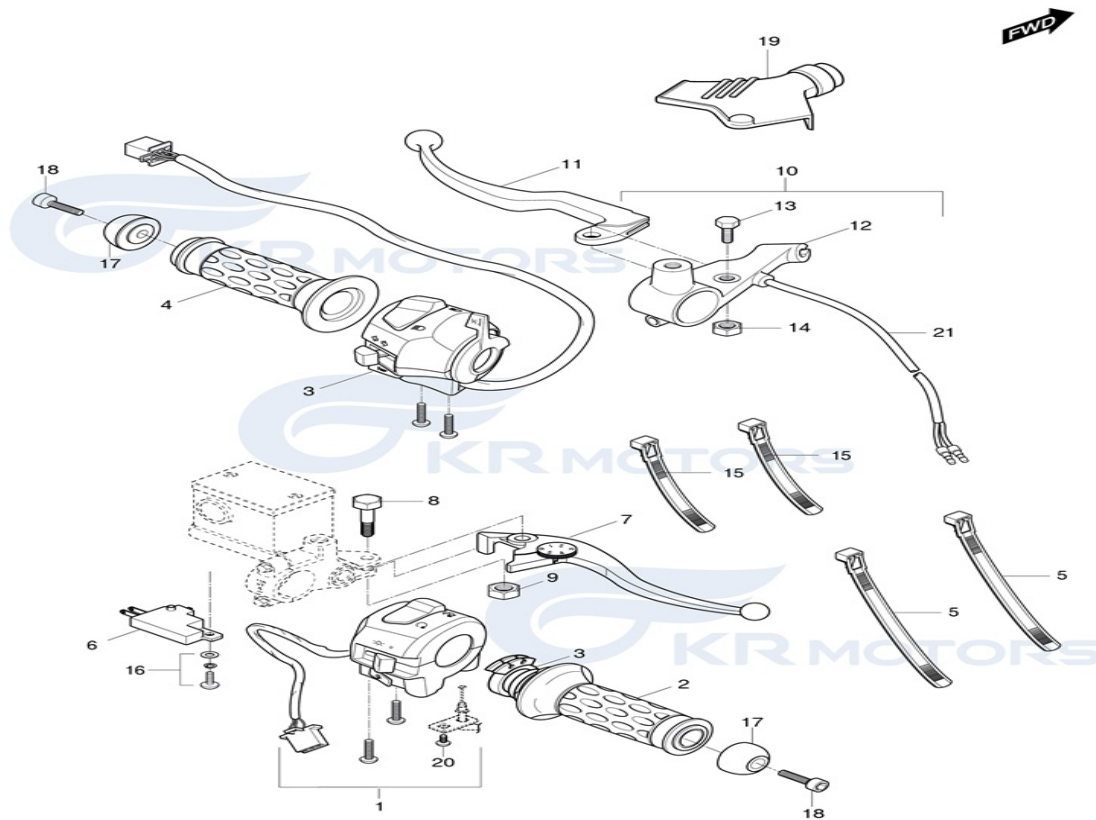
FIG 41



SEQ	PART CODE	PART NAME	U/S	REMARK
1	56111HD8500	HOLDER,HANDLE BAR RH (GD250R)	1	
2+6	56110HD8500	HANDLE BAR, RH (GD250R)	1	
3	07110-08258	BOLT,FRAME JOINT	2	
4	07110-08258	BOLT,FRAME JOINT	2	
5	09106H06200	BOLT,FRONT FENDER (GV650)	2	
6+2	56110HD8500	HANDLE BAR, RH (GD250R)	1	
6+8	56120HD8500	HANDLE BAR, LH (GD250R)	1	
7	56121HD8500	HOLDER,HANDLE BAR LH (GD250R)	1	
8+6	56120HD8500	HANDLE BAR, LH (GD250R)	1	
9+10	56501HD8501	MIRROR SET (GD250R)	1	
9	56500HD8501	MIRROR,RH	1	=56500HD8500
10	56600HD8501	MIRROR,LH	1	=56600HD8500
11	56503HD8500	CUSHION, REAR VIEW MIRROR	2	
12	07110-06205	BOLT,MIRROR ASS'Y (GV650)	4	
13	09160-06056	WASHER,CHAIN CASE LH	4	
14	58200H98600	CABLE ASS'Y,CLUTCH (GT250RN)	1	
15	09403H09304	CLAMP CLUTCH CABLE (GA)	1	

16	09200-06004	PIN,CLUTCH	1
17	04111-20158	COTTER PIN	1
18	58300HD8500	CABLE ASS'Y, THROTTLE (GD250R	1
19	02112-05105	SCREW,FRONT FORK COVER	1
20	09407-20406	CLAMP,WIRING HARNESS (GV250)	1

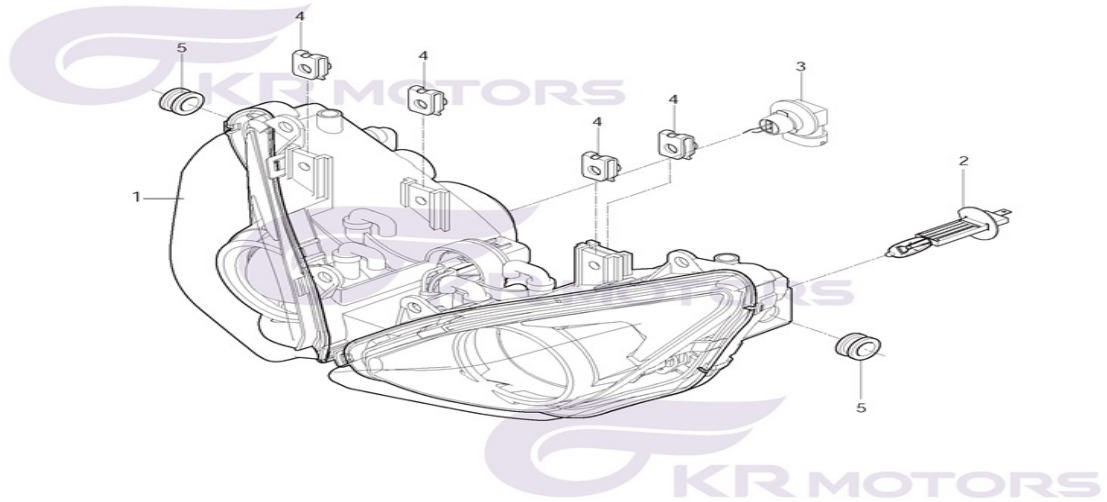
FIG 42



SEQ	PART CODE	PART NAME	U/S	REMARK
1	37200HP9200	SWITCH ASS'Y,HANDLE R (GT650S)	1	
2	57110HP9300	GRIP COMP,THROTTLE (GT650RFI)	1	
3	37400HR9700	SWITCH ASS'Y,HANDLE L (GT650FI)	1	
4	57211HG5800CHA	GRIP L	1	
5	09407-20406	CLAMP,WIRING HARNESS (GV250)	2	
6	57460-17C00	SWITCH ASS'Y STOP (AG,SB)	1	
7	57300HN9103	LEVER ASSY,FRONT BRAKE (GT650)	1	
8	57431HN9101	BOLT,BRAKE LEVER PIVOT (GT650)	1	
9	08319-21068	NUT,BRAKE LEVER	1	
10	57500HN9102	LEVER ASS'Y,CLUTCH (GT650)	1	
11	57620HP9500	LEVER COMP,CLUTCH (GV650)	1	
12	57511HN9101	HOLDER,LEVER(BLACK) (GT650)	1	
13	57531HN9100	BOLT,CLUTCH LEVER PIVOT(GT650)	1	
14	08319-21068	NUT,BRAKE LEVER	1	
15	09407-14403	CLAMP,STRNINER(125MM) (EZ)	2	
16	02112-74108	SCREW	1	
17	56200HC8101	BALANCER, HANDLEBAR (GD250N)	2	
18	09106H06006	BOLT,CLUTCH SPRING (GV650P)	1	

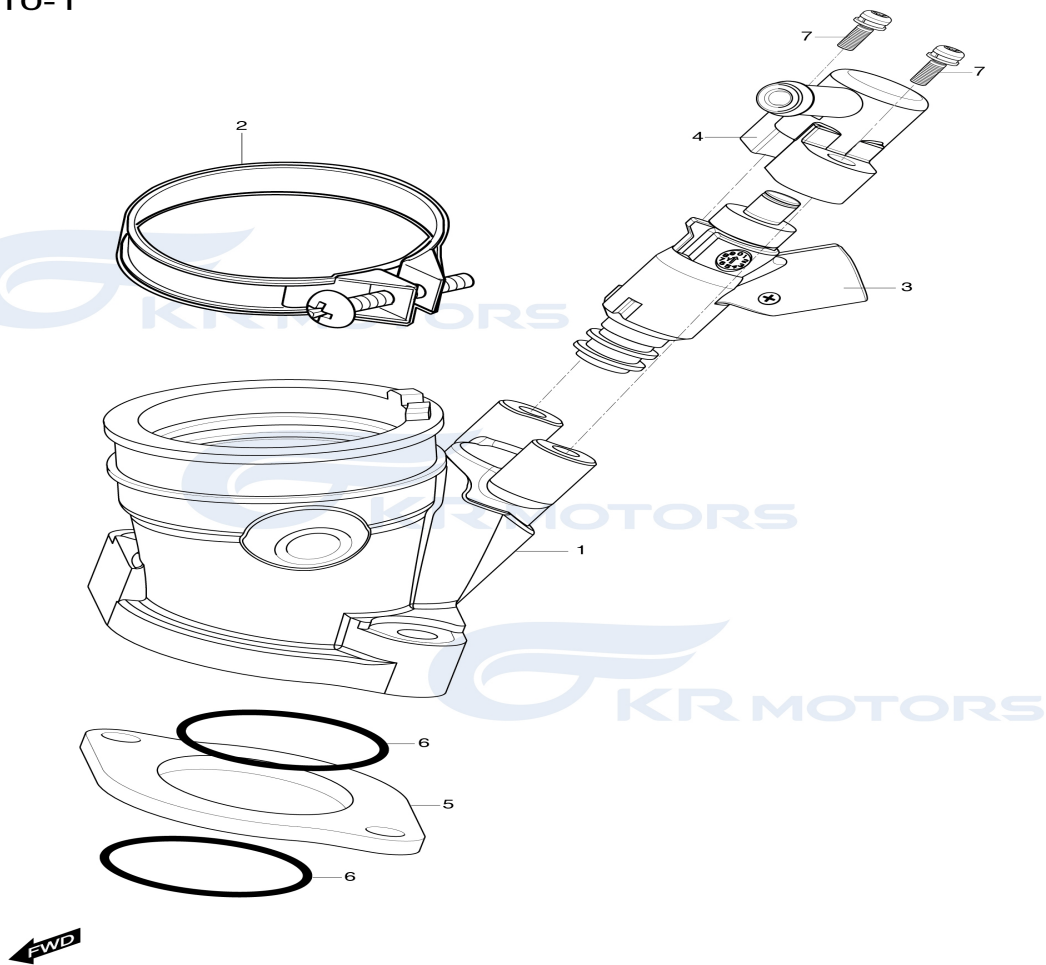
19	57661HN9100	COVER,REAR BRAKE LEVER (SF50R	1
20	02112-05105	SCREW,FRONT FORK COVER	1
21	57460HJ8250	SWITCH,ASS'Y,CLUTCH (GV250)	1

FIG 23



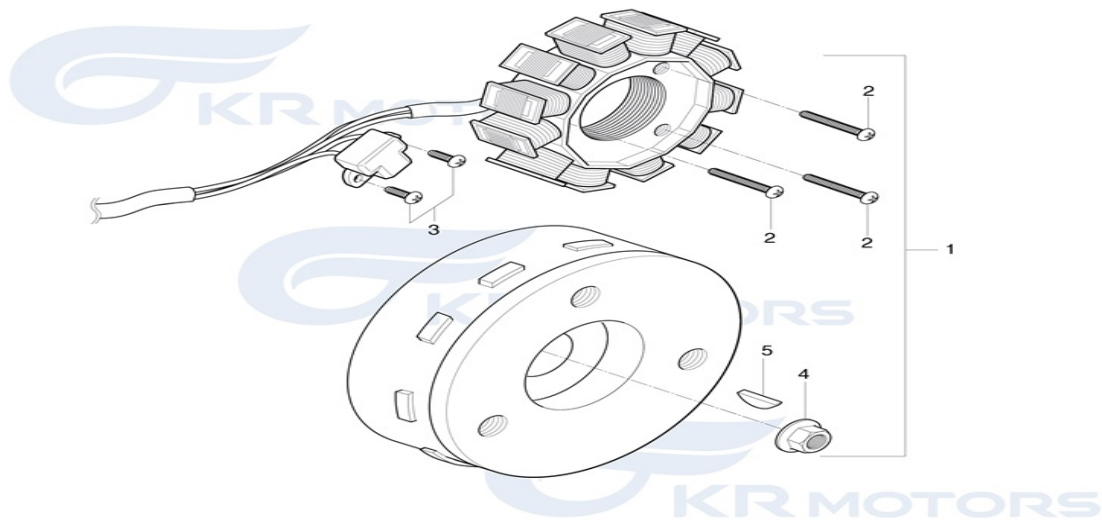
SEQ	PART CODE	PART NAME	U/S	REMARK
1	35100HD8500	HEAD LAMP ASS'Y (GD250R)	1	
2	09471H12250	BULB,HEAD LAMP(12V H1:55W)	1	
3	09471H12280	BULB,HEAD LAMP(12V H8:35W)	1	
4	09148-06020	NUT	4	
5	09320-08018	CUSHION,FRAME COVER	2	

FIG 10-1



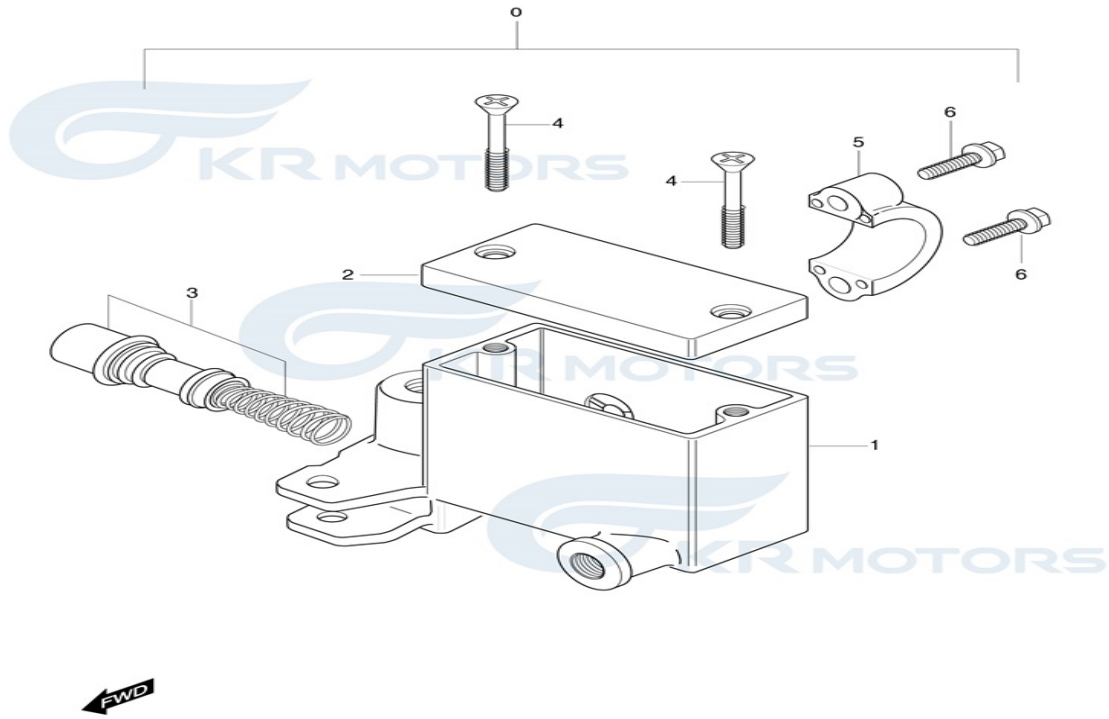
SEQ	PART CODE	PART NAME	U/S	REMARK
1	13110HC8100	PIPE COMP, INTAKE (GD250N)	1	
2	09402-52207	CLAMP (X100)	1	
3	15710H98A00	INJECTOR (MS3-250)	1	
4	15711HP8810	CAP,INJECTOR (MS3)	1	
5	13129HC8100	INSULATOR, INTAKE PIPE(GD250N)	1	
6	09280H43001	O-RING, INTAKE PIPE (GD250N)	2	
7	09128-06010	BOLT, INTAKE PIPE (GD250N)	2	

FIG 19



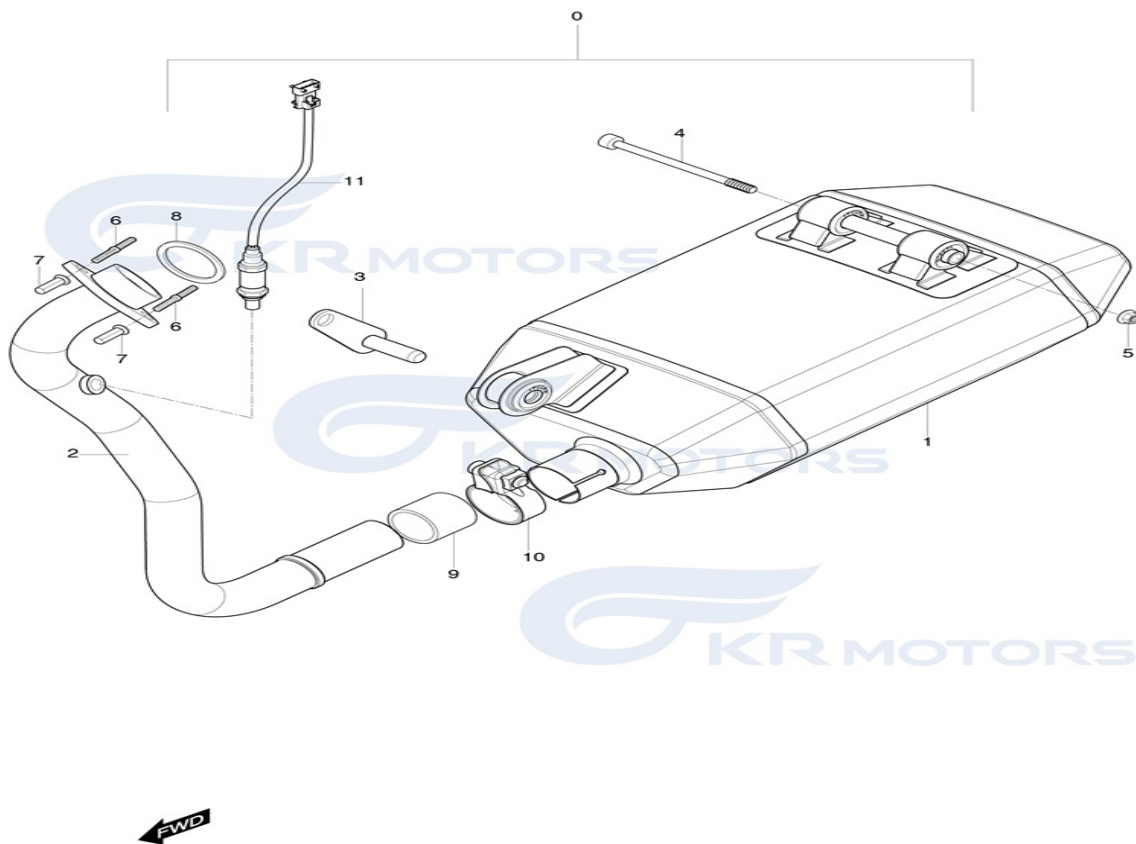
SEQ	PART CODE	PART NAME	U/S	REMARK
1	32100HD8500	MAGNETO ASSY (GD250R)	1	
1-1	32101HD8500	STATOR (GD250R)	1	
1-2	32102HC8100	ROTOR (GD250N)	1	
2	07110-05255	SCREW, MAGNETO STATOR (GD250N)	3	
3	02112-05168	SCREW	2	
4	08316-26128	NUT, MAGNET FLY	1	
5	09420H04001	KEY, MAGNETO (GT650)	1	

FIG 44



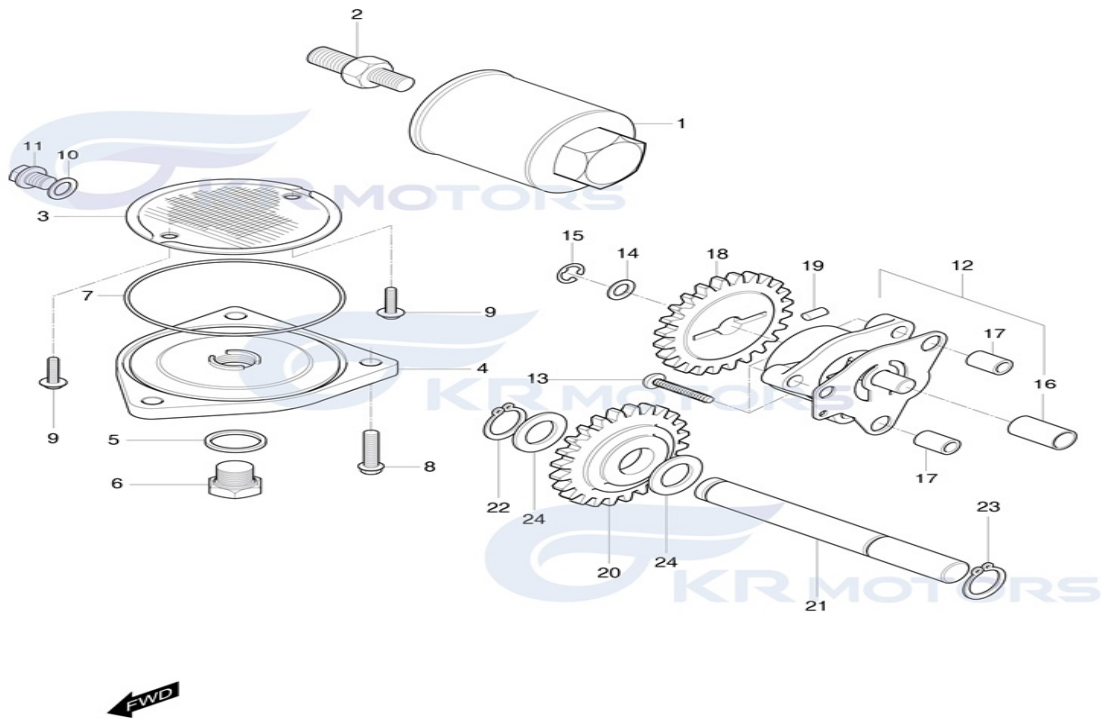
SEQ	PART CODE	PART NAME	U/S	REMARK
0	59600HP8900	CYLINDER ASSY,FT MASTER(TE450	1	
2	59669-36510	CAP,RESERVIOR (GD)	1	
4	59691-35C00	SCREW (GD)	2	
5	59671-35C00	HOLDER (GD)	1	
6	01107-35C00	BOLT (GD)	2	

FIG 14



SEQ	PART CODE	PART NAME	U/S	REMARK
1	14310HD8500	BODY COMP, MUFFLER (GD250R)	1	
2	14150HC8100	PIPE COMP, EXHAUST (GD250N)	1	
3	14411HC8100	BRACKET, MUFFLER PLATE(GD250N)	1	
4	09106H08141	BOLT, MUFFLER SUPPORT (GD250N)	1	
5	08319-31088	NUT, PILLION FOOTREST	1	
6	01421-08258	STUD BOLT, EXHAUST PIPE (FX)	2	
7	09143H08001	NUT, EXHAUST PIPE (GV)	2	
8	14181-46E00	GASKET EXHAUST PIPE (GSX)	1	
9	14773H99D01	GASKET, EXHAUST FT PIPE CONNEC	1	
10	14770HG5803PAM	CONNECTOR COMP, EXHAUST PIPE	1	
11	37950H99D02	SENSOR ASS'Y, OXYGEN (GV700C)	1	
12	09103H08254	BOLT, CALIPER (GV)	1	

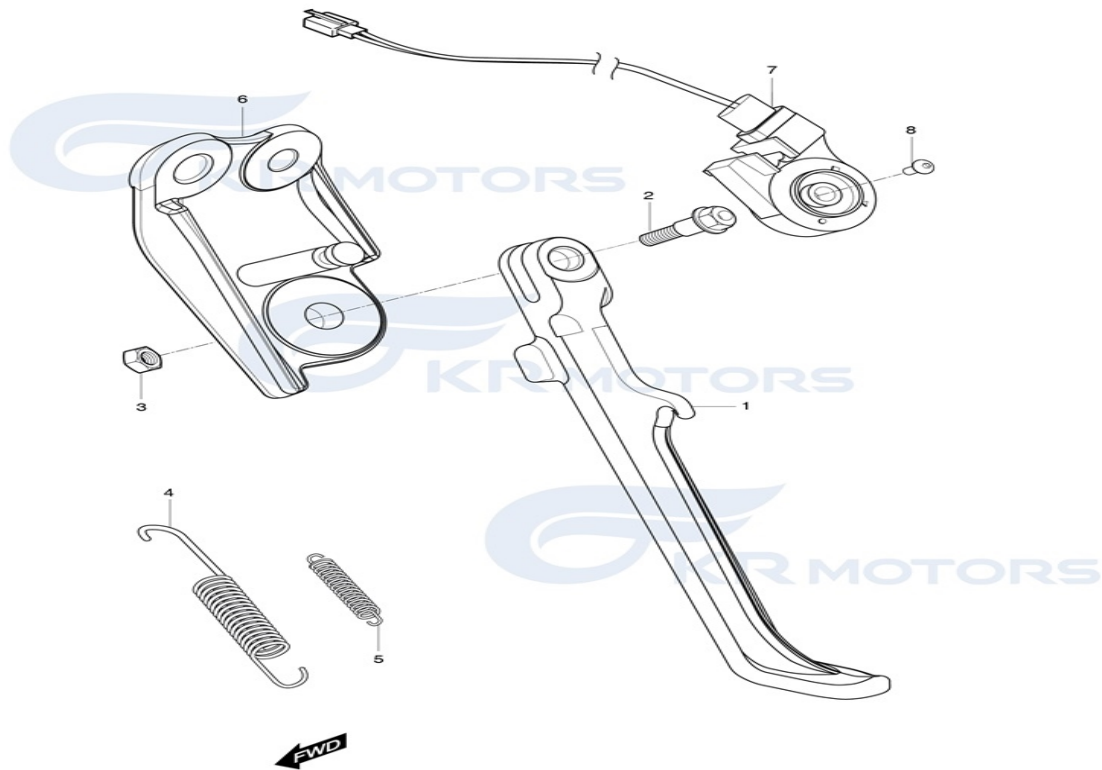
FIG 12



SEQ	PART CODE	PART NAME	U/S	REMARK
1	16510HC8100HAS	FILTER,E/GOIL(GD250)	1	
2	09362H14001	UNION,ENGINE OIL FILER (MS3)	1	
3	16520-05202	STRAINER,ENG OIL	1	
4	16523-05200	CAP,OIL STRAINER	1	
5	09168H14003	GASKET,OIL CHECK PLUG (SB)	1	
6	09247-14026	PLUG,BOLT	1	
7	09280-60005	O/RING,OIL STRAINER CAP	1	
8	01547-06208	BOLT,OIL STRAINER CAP	3	
9	02112-95126	SCREW,ENGINE OIL STATER	2	
10	09168H14003	GASKET,OIL CHECK PLUG (SB)	1	
11	09247-14019	PLUG,OIL DRAIN (GT650)	1	
12	16400HG5103	PUMP ASS'Y, OIL (GD250N)	1	
13	02112-06258	SCREW (GV650)	3	
14	08211-08141	WASHER,O/P DRIVE GEAR NO1	1	
15	08332-11069	CIRCLIP,OIL PUMP DRIVE GEAR	1	
16	16419HG5100	BUSH,OIL PUMP (GV)	1	
17	09206-08001	PIN,MAGNET COVER (GT&GV)	2	
18	16331HG5102	GEAR,OIL PUMP DRVN (GV)	1	

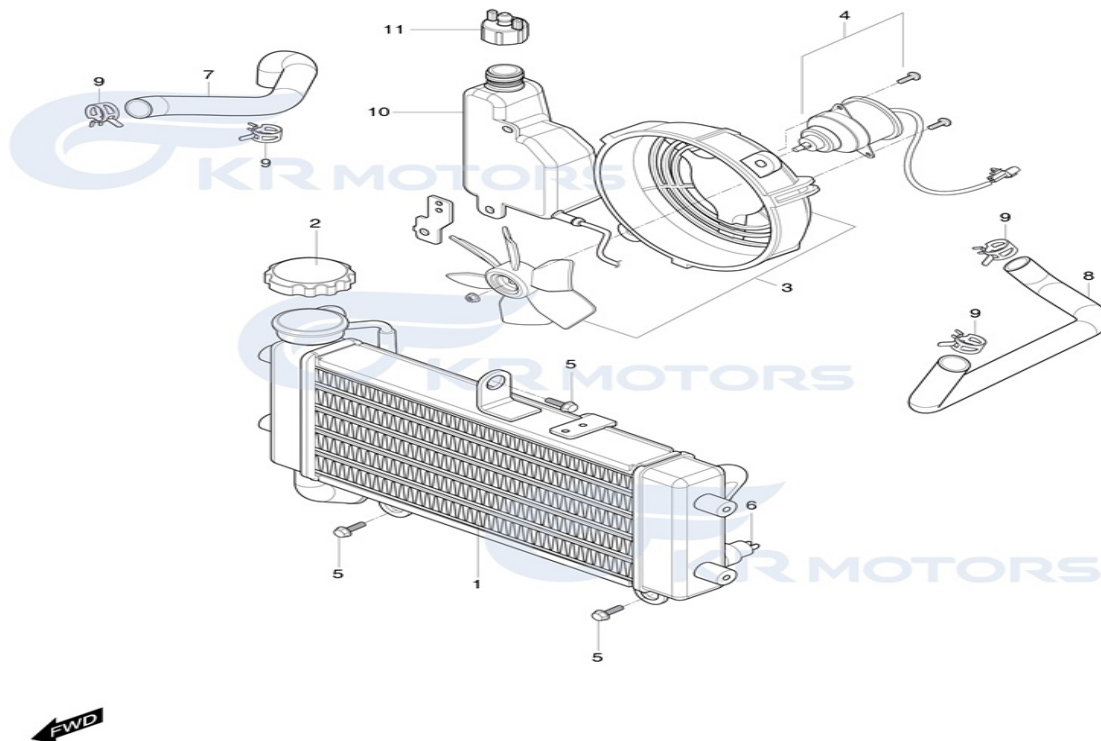
19	09261-02001	PIN,OIL PUMP	1
20	16431HG5104	GEAR,OIL PUMP IDLE (GV)	1
21	16451HG5101	SHAFT,OIL PUMP IDLE GEAR (GV)	1
22	08331-31109	CIRCLIP (GV)	1
23	08331-31109	CIRCLIP (GV)	1
24	08211-10181	WASHER (GV)	2

FIG 28



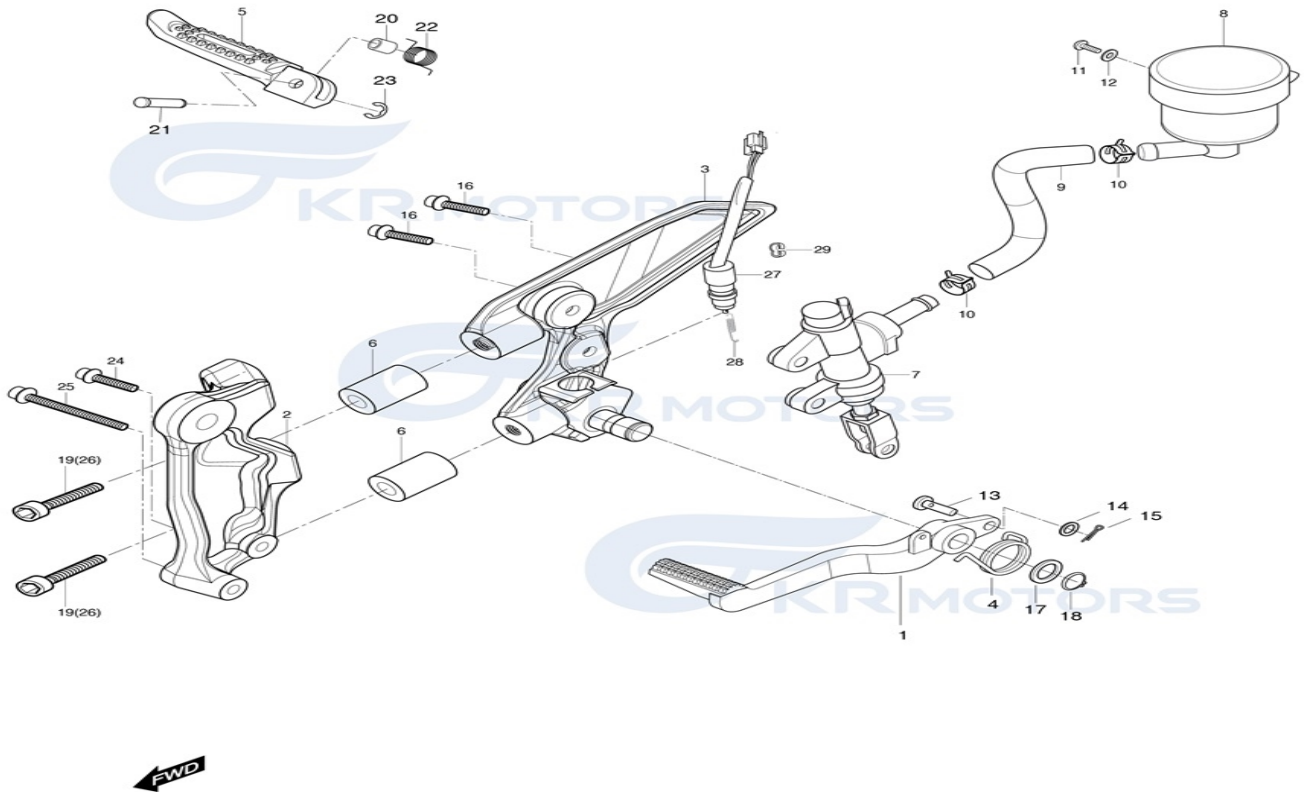
SEQ	PART CODE	PART NAME	U/S	REMARK
1	42311HC8100	STAND, PROP (GD250N)	1	
2	09111H10045	BOLT, PROP STAND (GD250)	1	
3	08310-22106	NUT,PROP STAND (GV)	1	
4	09443-15047	SPRING,CENTER STAND	1	
5	09443-06001	SPRING,PROP STAND INN(SB-FN02)	1	
6	42340HC8101	BRKT COMP,PROP STAND (GD250N)	1	=42340HC8100+94612HC8100
7	37840HC8100	SWITCH ASSY, PROP STAND(GD250)	1	
8	09106H06150	WRENCH BOLT 6*15MM (GT650)	1	

FIG 13



SEQ	PART CODE	PART NAME	U/S	REMARK
1	17700HC8100	RADIATOR ASS'Y, WATER (GD250N)	1	
2	17720HC8100	CAP COMP, RADIATOR (GD250N)	1	
3&4	17800HC8100	FAN ASS'Y, RADIATOR (GD250N)	1	with FAN and MOTOR
4	17810HC8100	MOTOR ASS'Y, RADIATOR FAN (GD)	1	Unavailable as Single Part
5	01517-06205	BOLT,SPORT CARRIER (FX)	3	
6	17860HC8100	SWITCH ASS'Y, THERMO (GD250N)	1	
7	17741HC8101	HOSE, RADIATOR INLET (GD250N)	1	
8	17761HC8101	HOSE, RADIATOR OUTLET (GD250N)	1	
9	09401H24402	CLAMP,CONNECTOR INLET HOSE(GT6)	4	
10	17910HC8100	TANK ASS'Y, RESERVOIR (GD250N)	1	
11	17921HC8100	CAP, RESERVOIR TANK (GD250N)	1	

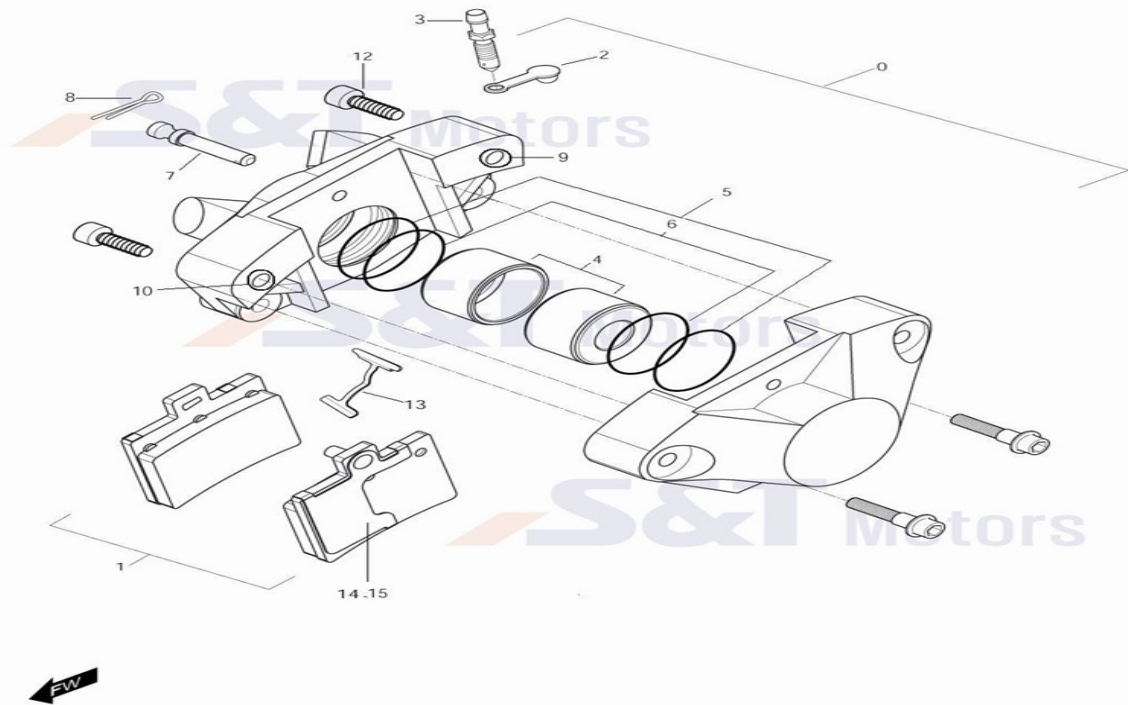
FIG 29



SEQ	PART CODE	PART NAME	U/S	REMARK
1	43110HM810003P	PEDAL COMP,BRAKE (GT250)	1	
2	43530HC8100	BRKT FRONT FOOTREST R (GD250N)	1	
3	43550HC8101	BKT,F/T FOOTREST BACK R(GD250)	1	
4	09448H30004	SPRING,BRAKE PEDAL RETURN(GT25)	1	
5	43561HC9701	FOOTREST,FRONT RH	1	
6	43570HC8100	SPC,FT FOOT ADJUSTER (GD250N)	2	
7~9	69609HC8100	CYLINDER SET,REAR MASTER(GD250)	1	
10	09400H13001	CLAMP,RESERVER TANK HOSE(GT250)	2	
11	01517-06168	BOLT,STEERING LOCK (SD)	1	
12	09160-06019	WASHER	1	
13	09200H06040	PIN,REAR MASTER CYLINDER(GT250)	1	
14	08322-21068	WASHER HEAD LAMP AIMING	1	
15	04111-20208	COTTER PIN	1	
16	07120-08208	BOLT,CALIPER (GT250RN)	2	
17	09160H15002	WASHER,BRAKE PEDAL (GT250)	1	
18	08331-31159	CIRCLIP,KICK IDLE	1	

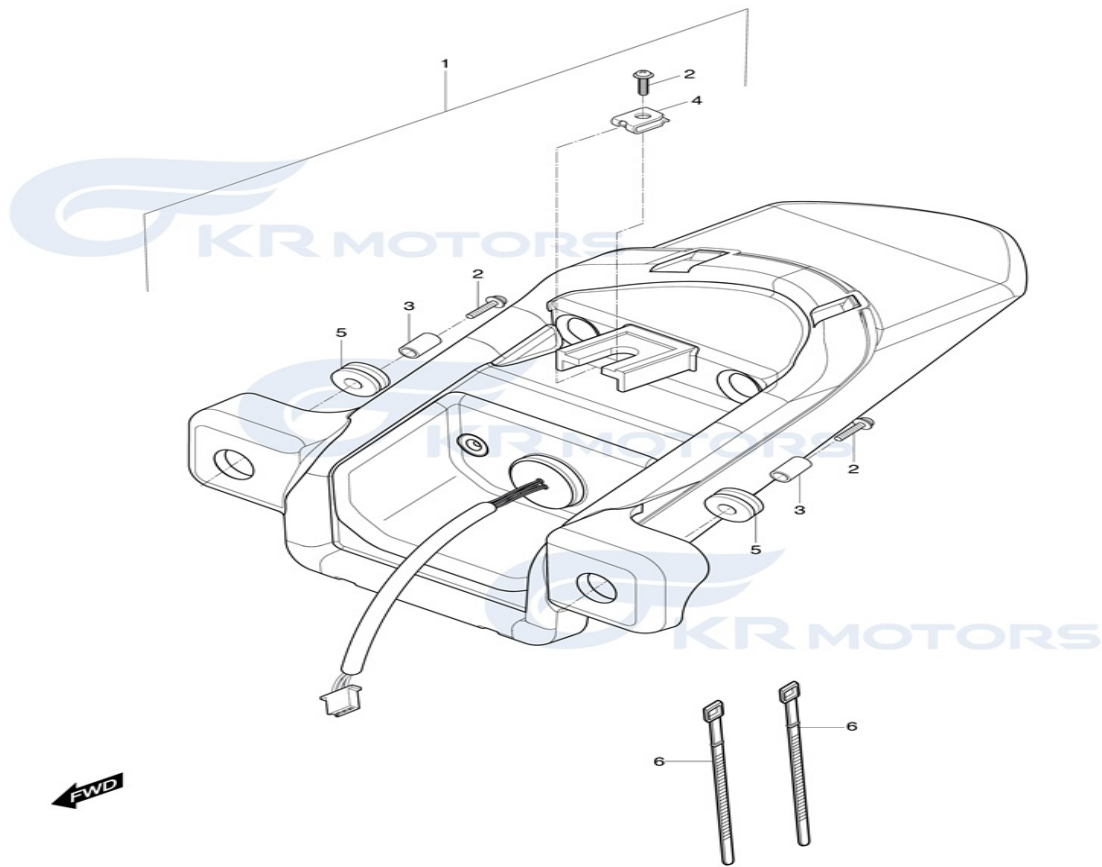
19	07110-10658	BOLT,FT FOOT BKT&STEP(GD250N)	2
20	09180H08008	SPACER FRONT FOOTREST	1
21	43579HM8101	PIN,FRONT FOOTREST (GT250)	1
22	09448H14008	SPRING FRONT FOOTREST(GD250N)	1
23	08332-11079	E-RING	1
24	07120-08358	BOLT,CALIPER (GV650)	1
25	07120-08608	BOLT,CRANK CASE (GT650)	1
26	07110-10358	BOLT,MUFFLER SUPPORT	2
27	37740HN9100	SWITCH ASS'Y,REAR STOP (GT650)	1
28	09408-00002	CLIP,CABLE	1

FIG 49



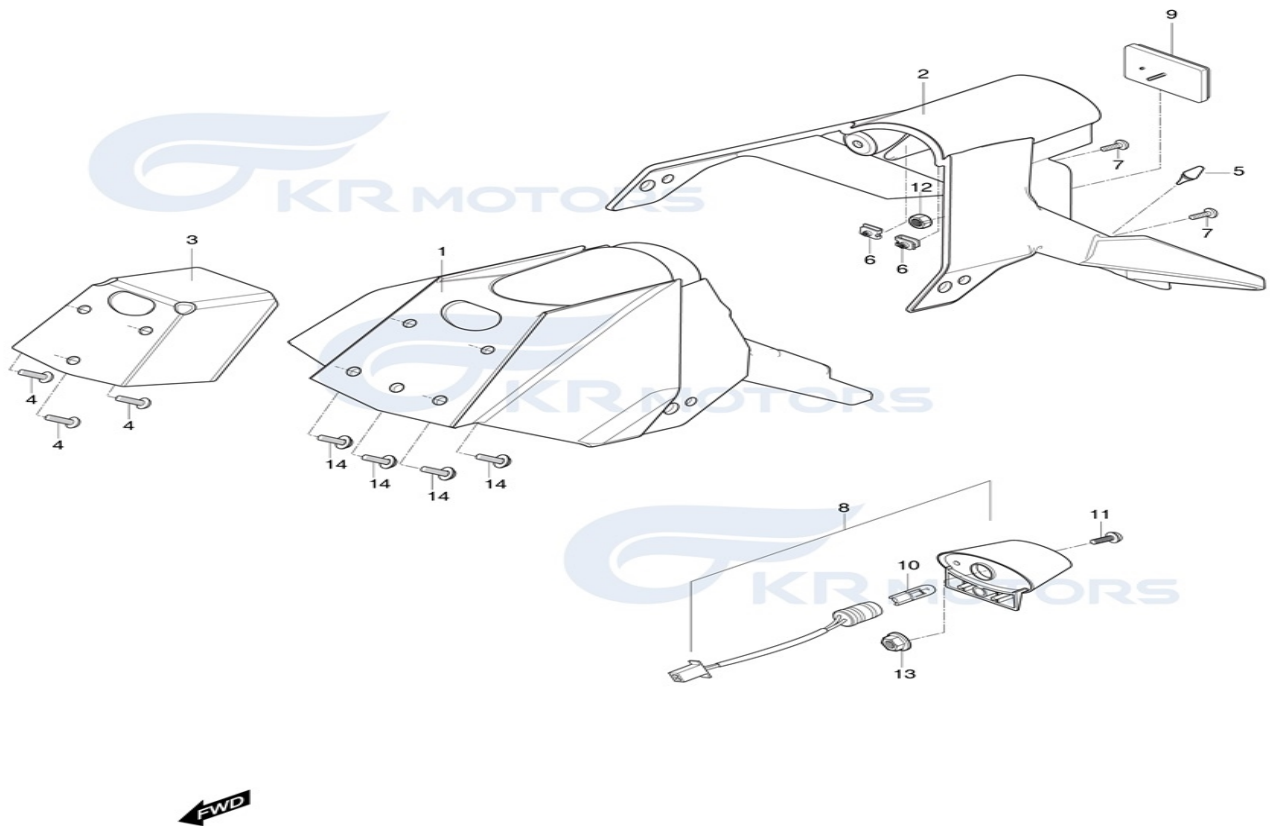
SEQ	PART CODE	PART NAME	U/S	REMARK
0	69300HC8100	CALIPER ASSY,REAR BRAKE(GD250)	1	
1	69301HC8100	PAD SET, BRAKE	1	
2	69321HC8100	CAP, BLEEDER	1	
3	69322HC8100	BLEEDER	1	
4	69323HC8100	PISTON, CALIPER	2	
5	69324HC8100	SEAL, PISTON	2	
6	69325HC8100	DUST SEAL	2	
7	69326HC8100	BOLT	1	
8	69370HC8100	COTTER PIN, REAR BRAKE	1	
9	69380HC8100	O-RING	1	
10	69380HC8100	O-RING	1	
12	69320HC8100	BOLT	2	
13	69350HC8100	SPRING, REAR BRAKE PAD	1	
14	69362HC8100	SHIM, BRAKE PAD OUTER	1	
15	69361HC8100	SHIM, BRAKE PAD INNER	1	

FIG 26



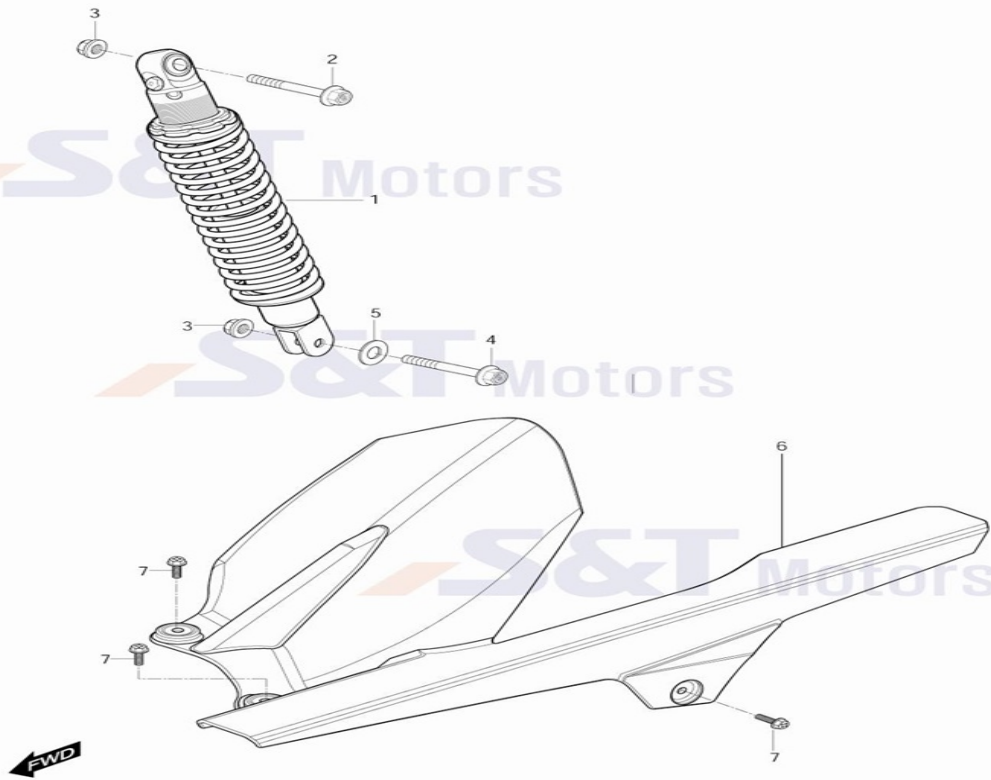
SEQ	PART CODE	PART NAME	U/S	REMARK
1	35710HC8100	LAMP ASS'Y, TAIL&STOP (GD250N)	1	
2	09136H06022	SCREW, COWLING	3	
3	09180-06011	SPACER, BATT HOLE	2	
4	09148-06020	NUT	1	
5	09320-09016	CUSHION, TOOL HOLDER	2	
6	09407-14403	CLAMP, STRNINER(125MM) (EZ)	2	

FIG 33



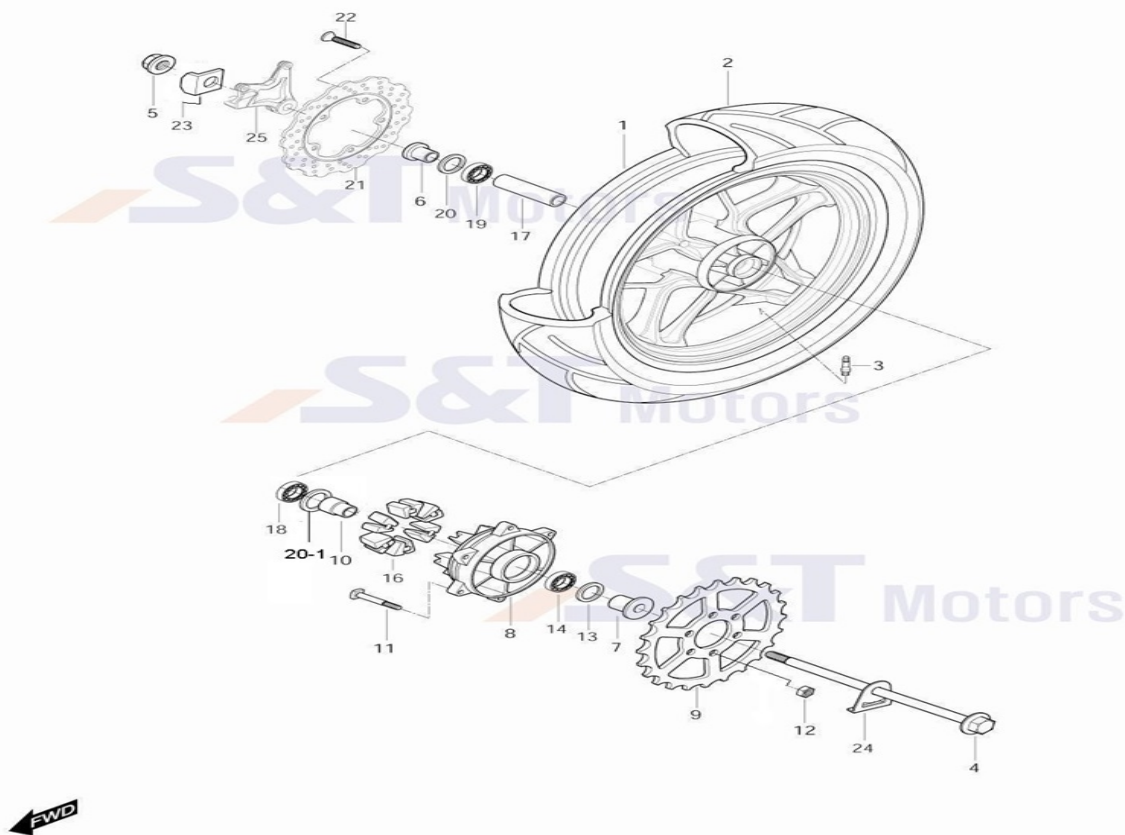
SEQ	PART CODE	PART NAME	U/S	REMARK
1	63111HC8100	REAR FENDER REAR NO,1 (GD250N)	1	
2	63112HC8100	REAR FENDER REAR NO,2 (GD250N)	1	
3	63120HC8100PAM	ADAPTOR, REAR FENDER (GD250N)	1	
4	02142-06165	SCREW,LEG SHIELD LOWER(GT250RN)	3	
5	09321-06023	CUSHION,LICENSE PLATE	1	
6	09148-05004	NUT	2	
7	03241-05125	SCREW LOWER COVER CENT (EZ,	2	
8	35910HP7600	LAMP ASSY,LICENSE PLATE (GT)	1	
9	35970-17303	REFLEX,REFLECTOR ASS'Y,REAR(FX	1	
10	09471-12110	BULB,POSITION LAMP(12V W5W)(GA	1	
11	02112-05205	SCREW,LICENSE LAMP (GT650RN)	1	
12	08310-11055	NUT,REAR REAR	1	
13	08316-26055	NUT,FRONT TURN SIGNAL LAMP	1	
14	09136-06017	SCREW,AIR CLENR	4	

FIG 46



SEQ	PART CODE	PART NAME	U/S	REMARK
1	62100HC8100	SHOCK ABSORBER ASSY,RR(GD250N)	1	WHITE
1-1	62100HC8100D02	SHOCK ABSORBER ASSY,RR(GD250R)	1	RED
2	09103H10101	BOLT,HANDLE BAR SET (EZ)	1	
3	08319-31108	NUT,FRONT SORBER	2	
4	09103H10101	BOLT,HANDLE BAR SET (EZ)	1	
6	61310HC8100	CASE COMP, CHAIN (GD250N)	1	
7	01517-06125	BOLT,COVER CYLINDER HEAD	3	

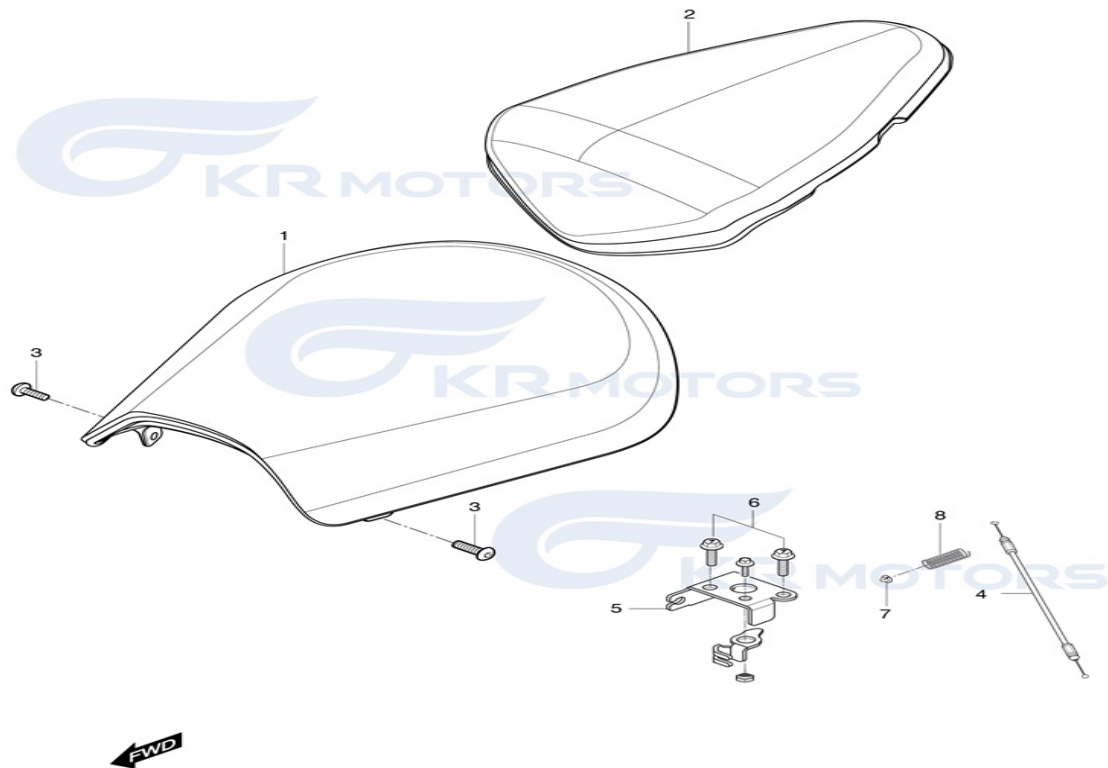
FIG 47



SEQ	PART CODE	PART NAME	U/S	REMARK
1	64150HC8100120	WHEEL COMP,RR (J17×MT4.00)	1	BLACK
2	65101HC8100	TIRE COMP, REAR (GD250R)	1	
3	55220-29C20	VALVE ASS'Y	1	
4	64711HC8100	AXLE, REAR (GD250N)	1	
5	09159H16002	NUT,REAR AXLE (GT250)	1	
6	64741HM8100	SPACER,REAR AXLE R (GT250)	1	
7	64751HM8100	SPACER,REAR AXLE L (GT250)	1	
8	64611HN9150120	DRUM,RR SPROCKET MOUTING(GT650)	1	
9	64511HM8104	SPROCKET,REAR	1	=64511HC8100
10	64733HM8100	RETAINER,RR MOUNT'G DRUM(GT250)	1	
11	01517-08358	BOLT,PILLION RIDER REAR (FXM)	6	
12	08319-31088	NUT,PILLION FOOTREST	6	
13	09285-28001	OIL SEAL REAR DRUM	1	
14	08133-62047	BEARING,REAR SPROCKET DRUM(GT)	1	
16	64651HM8101	HUB,S/ABSORBER (GT650)	6	
17	64731HM8100	SPACER,REAR WHEEL BEARING(GT25)	1	
18	08133-62037	BEARING,REAR HUB R/L (RT125)	1	

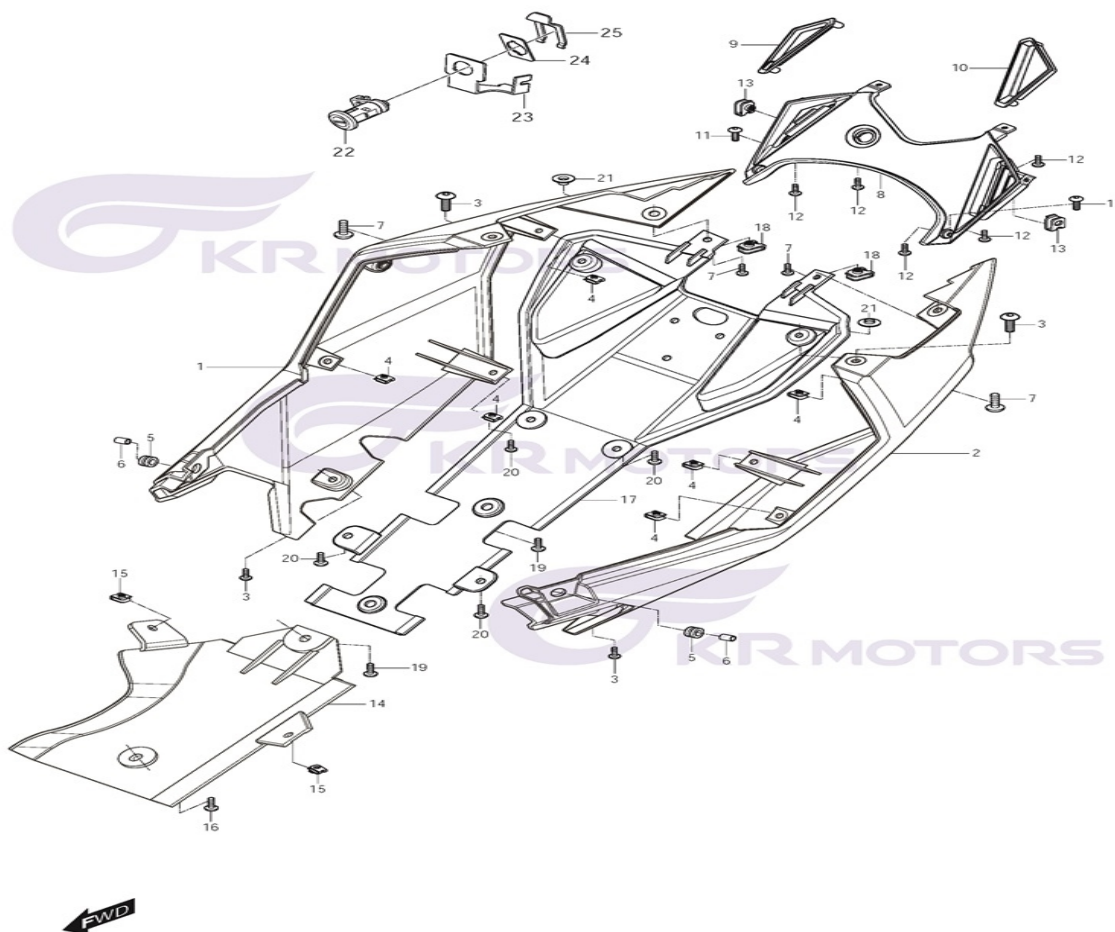
19	08133-62037	BEARING,REAR HUB R/L (RT125	1
20-1	09280-55001	OIL RING,REAR HUB L (GT250)	1
20-2	09283-27010	OIL SEAL,REAR AXLE	1
21	69211HC8100	DISC, REAR BRAKE (GD250N)	1
22	59421-03A01	BOLT,FRONT BRAKE DISK (SBS)	5
23	61411HN9100	PLATE,CHAIN ADJUSTER R (GT650)	1
24	61511HN9100	PLATE,CHAIN ADJUSTER L (GT650)	1
25	69340HC8101	CARRIER, CALIPER (GD250N)	1
26	64160H99D00	WEIGHT,WHEEL BALANCE(WHITE)ST7	1
26-1	64160HC9700	WEIGHT,WHEEL BALANCE(BLACK)	1 BLACK

FIG 32



SEQ	PART CODE	PART NAME	U/S	REMARK
1	45110HD8500	SEAT SET, FRONT (GD250R)	1	
2	45200HC8101	SEAT SET,REAR (GD250N)	1	
3	02142-06255	SCREW FRONT L/SHIELD UPPER	2	
4	45280HC8100	CABLE COMP, SEAT LOCK (GD250N)	1	
5	45220HC8100	LOCK ASSY,SEAT STRIKER(GD250N)	1	
6	01547-06308	BOLT,MAGNET&CLUTCH COVER (EZ)	2	
7	45285HC8100	GUIDE, SEAT LOCK CABLE SPRING	1	
8	09440-11016	SPRING GEAR SHIFT CAM STOP	1	

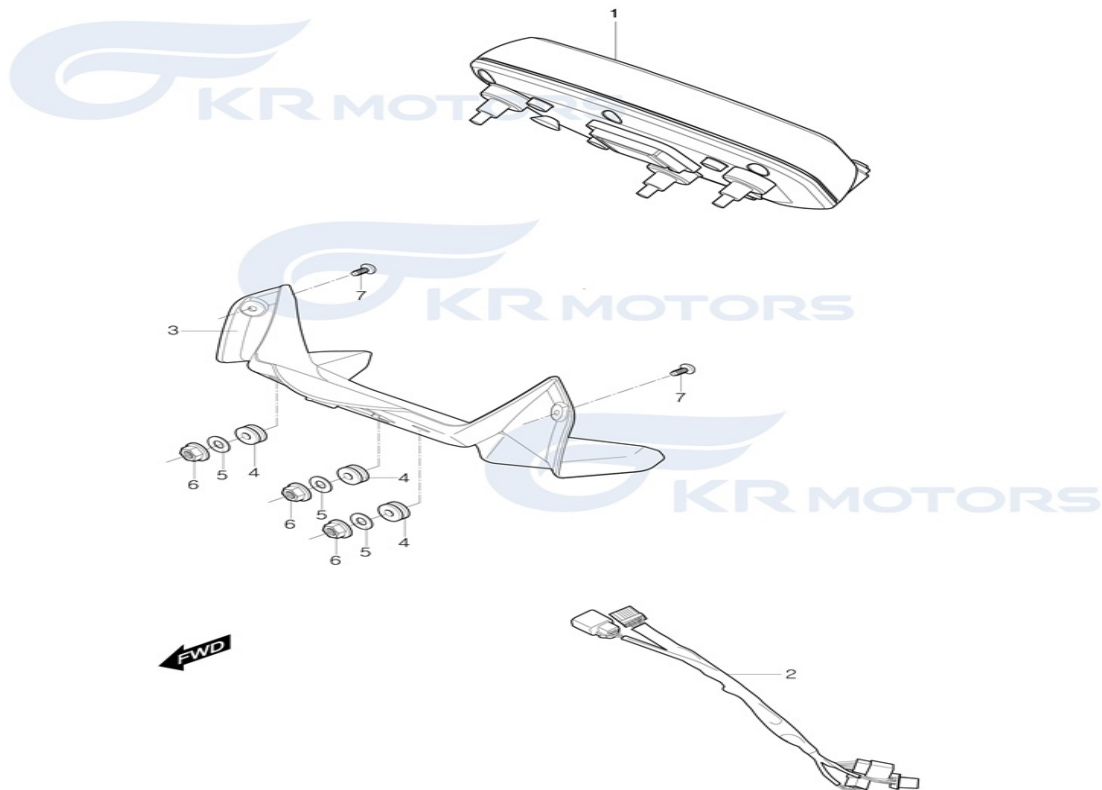
FIG 34



SEQ	PART CODE	PART NAME	U/S	REMARK
1-1	47111HC8100TLG	COVER, SIDE R (GD250R)	1	BIKE COLOR : LG
1-1-1	68124HD8550D02	EMBLEM, TAIL COVER RH (HYOSUNG)	1	BIKE COLOR : LG
1-2	47111HC8100TST	COVER, SIDE R (GD250R)	1	BIKE COLOR : ST
1-2-1	68124HD8550D02	EMBLEM, TAIL COVER RH (HYOSUNG)	1	BIKE COLOR : ST
1-3	47111HC8100TWP	COVER, SIDE R (GD250R)	1	BIKE COLOR : WP
1-3-1	68124HD8550D02	EMBLEM, TAIL COVER RH (HYOSUNG)	1	BIKE COLOR : WP
2-1	47211HC8100TLG	COVER, SIDE L (GD250R)	1	BIKE COLOR : LG
2-1-1	68126HD8550D02	EMBLEM, TAIL COVER LH (HYOSUNG)	1	BIKE COLOR : LG
2-2	47211HC8100TST	COVER, SIDE L (GD250N)	1	BIKE COLOR : ST
2-2-1	68126HD8550D02	EMBLEM, TAIL COVER LH (HYOSUNG)	1	BIKE COLOR : ST
2-3	47211HC8100TWP	COVER, SIDE L (GD250N)	1	BIKE COLOR : WP
2-3-1	68126HD8550D02	EMBLEM, TAIL COVER LH (HYOSUNG)	1	BIKE COLOR : WP
3	09106H06150	WRENCH BOLT 6*15MM (GT650)	4	
4	09148H05030	NUT, SIDE COVER (GT)	6	
5	09320-10015	CUSHION OIL COOLER (GA)	2	
6	09180H06078	SPACER, FRONT SEAT (GT650RN)	2	

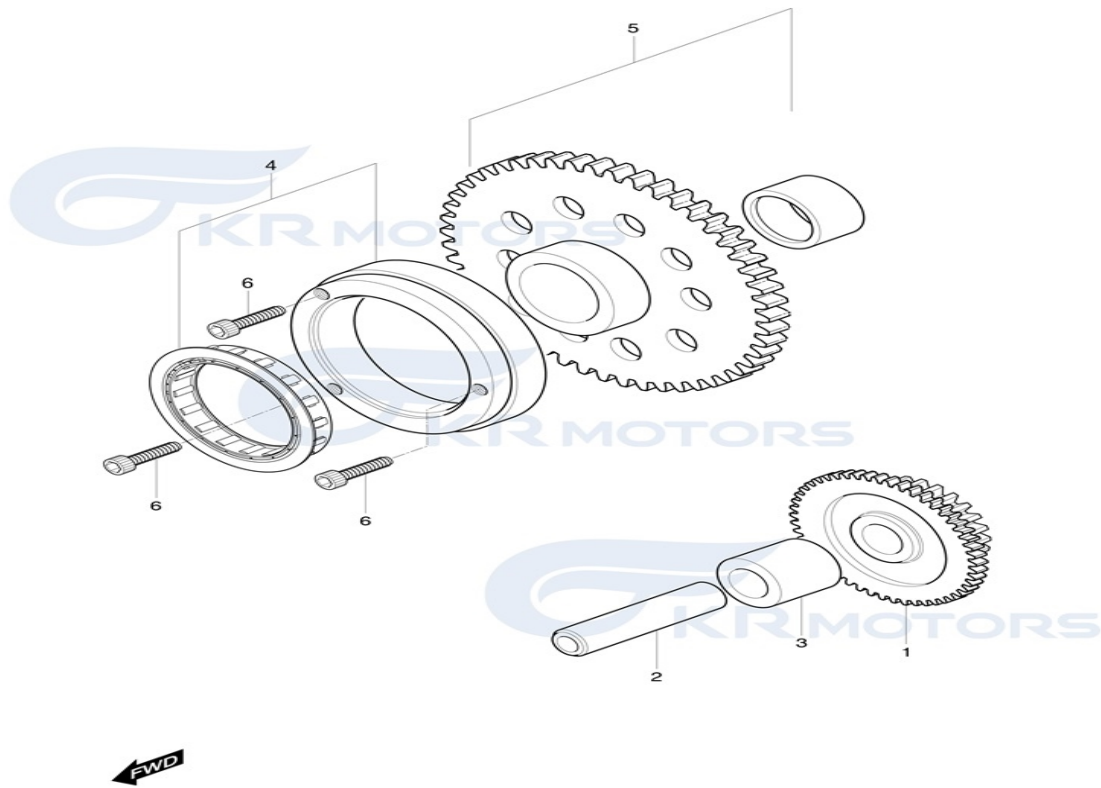
7	09106H05120	SCREW, SIDE COVER R & UNDER	4
8-1	47311HC8100TBK	COVER, SIDE CENTER (GD250N)	1 BIKE COLOR : LG, ST, WP
9-1	47112HC8100TDR	COVER, SIDE DECO R (GD250R)	1 BIKE COLOR : LG, ST, WP
10-1	47212HC8100TDR	COVER, SIDE DECO L (GD250R)	1 BIKE COLOR : LG, ST, WP
11	09106H05120	SCREW, SIDE COVER R & UNDER	2
12	03241-05125	SCREW LOWER COVER CENT (EZ,	4
13	09148H05030	NUT,SIDE COVER (GT)	2
14	47411HC8100	COVER,SIDE UNDER FRONT(GD250N)	1
15	09148H05030	NUT,SIDE COVER (GT)	2
16	09106H06150	WRENCH BOLT 6*15MM (GT650)	1
17	47412HC8100	COVER, SIDE UNDER REAR(GD250N)	1
18	09148H05030	NUT,SIDE COVER (GT)	2
19	09136H06150	BOLT (GD250N)	2
20	09136H05120	BOLT (GD250N)	4
21	09169H06078	WASHER,FRONT FENDER (GT650)	2
22	45700HG2630	LOCK ASS'Y,SEAT (SF50)	1
23	45381HG2601	GUIDE,SEAT LOCK (SF50)	1
24	92413HF4501	WASHER,COV HELMET BOX INN(GPS)	1
25	92414HF4500	LOCK,KEY SET (GPS)	1

FIG 22



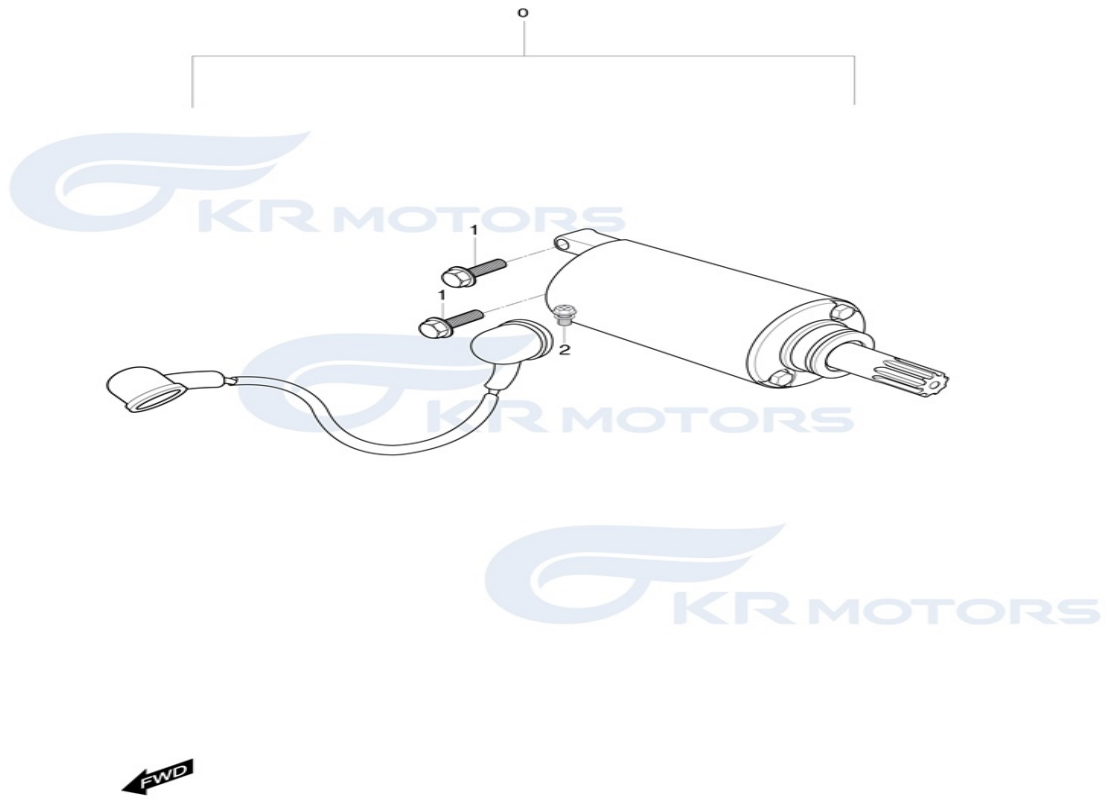
SEQ	PART CODE	PART NAME	U/S	REMARK
1	34100HD8501	SPEEDOMETER ASS'Y (GD250R)	1	
1-1	68140HD8500	PROTECTOR,SPEEDOMETER (GD250R)	1	
2	34170HD8500	LEAD WIRE, SPEEDOMETER (GD250R)	1	
3	94641HD8500	PANEL, METER (GD250R)	1	
4	09320H09018	CUSHION,SPEEDOMETER (GT250RC)	3	
5	09169-06034	WASHER,LEG SHIELD	3	
6	08316-26066	NUT,REAR COMBI LAMP	3	
7	09106H05150	WRENCH BOLT 5*15MM	2	

FIG 7



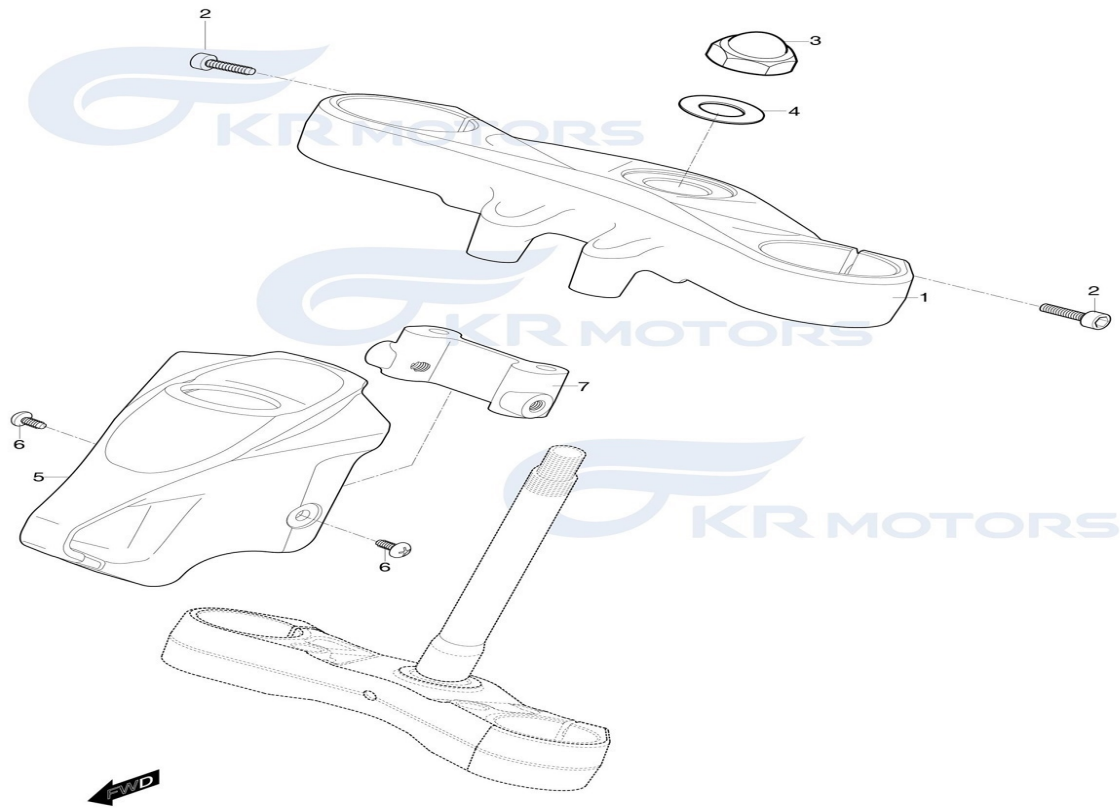
SEQ	PART CODE	PART NAME	U/S	REMARK
1	12611HC8100	GEAR, STARTER IDLE (GD250N)	1	
2	09206-13003	PIN,STARTER IDLE GEAR	1	
3	09180H13002	SPACER, STARTER IDLE GEAR(GD2	1	
4	12614HC8100	CLUTCH, STARTER ONE-WAY (GD250	1	
5	12620HC8101	GEAR COMP, STARTER CLUTCH(GD25	1	=12620HP8800
6	09106H08029	BOLT, STARTER CLUTCH (GD250N)	3	

FIG 18



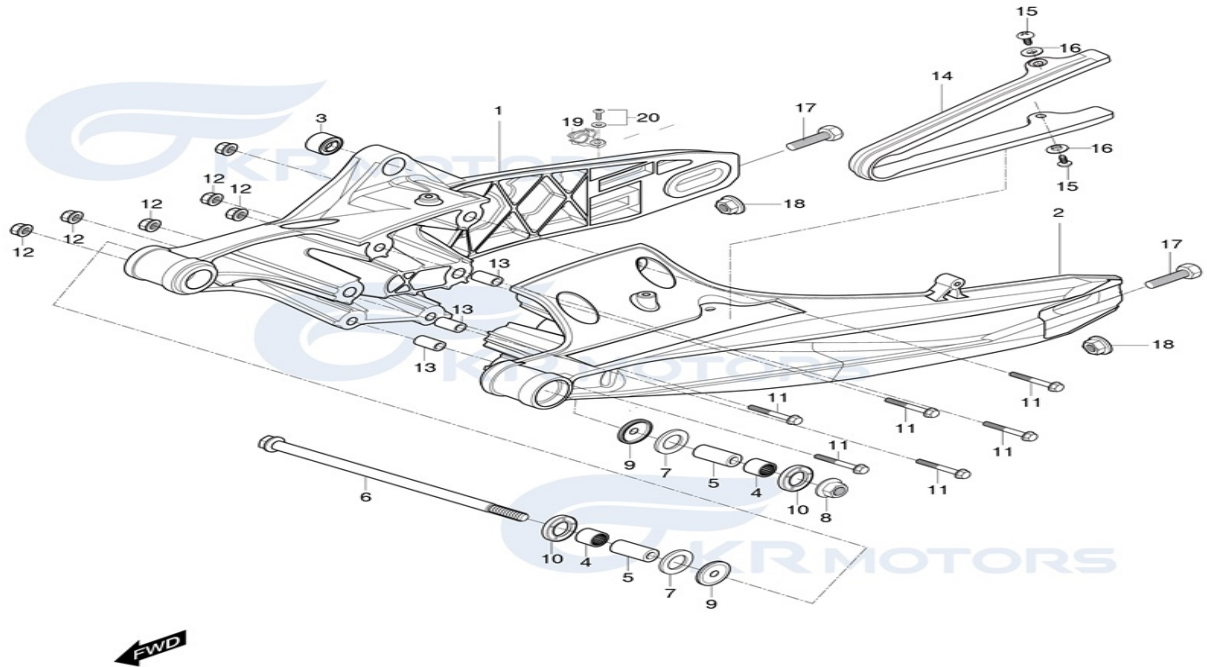
SEQ	PART CODE	PART NAME	U/S	REMARK
0	31100HC8100	MOTOR ASS'Y, STARTING (GD250N)	1	
1	01547-06208	BOLT,OIL STRAINER CAP	1	
2	09137-05004	SCREW,START MOT TERM (GD,GA-F)	1	

FIG 38



SEQ	PART CODE	PART NAME	U/S	REMARK
1-1	51312HD8500	BRACKET, FT FORK UPPER(LOWER)	1	For High Handle
1-2	51311HD8500	BRACKET, FT FORK UPPER(GD250R)	1	For Lower Handle(Option)
2	07110-08255	BOLT,EXHAUST PIPE	2	
3	09159H22102	NUT,STEERING UPPER (GT650RN)	1	
4	09160H22031	WASHER,STEERING UPPER (RX)	1	
5	37155HD8500	COVER, KEY SET (GD250R)	1	
6	02142-06125	SCREW,COVER LEG SHIELD	2	
7	37550HD8500	SPACER,STEERING LOCK (GD250R)	1	

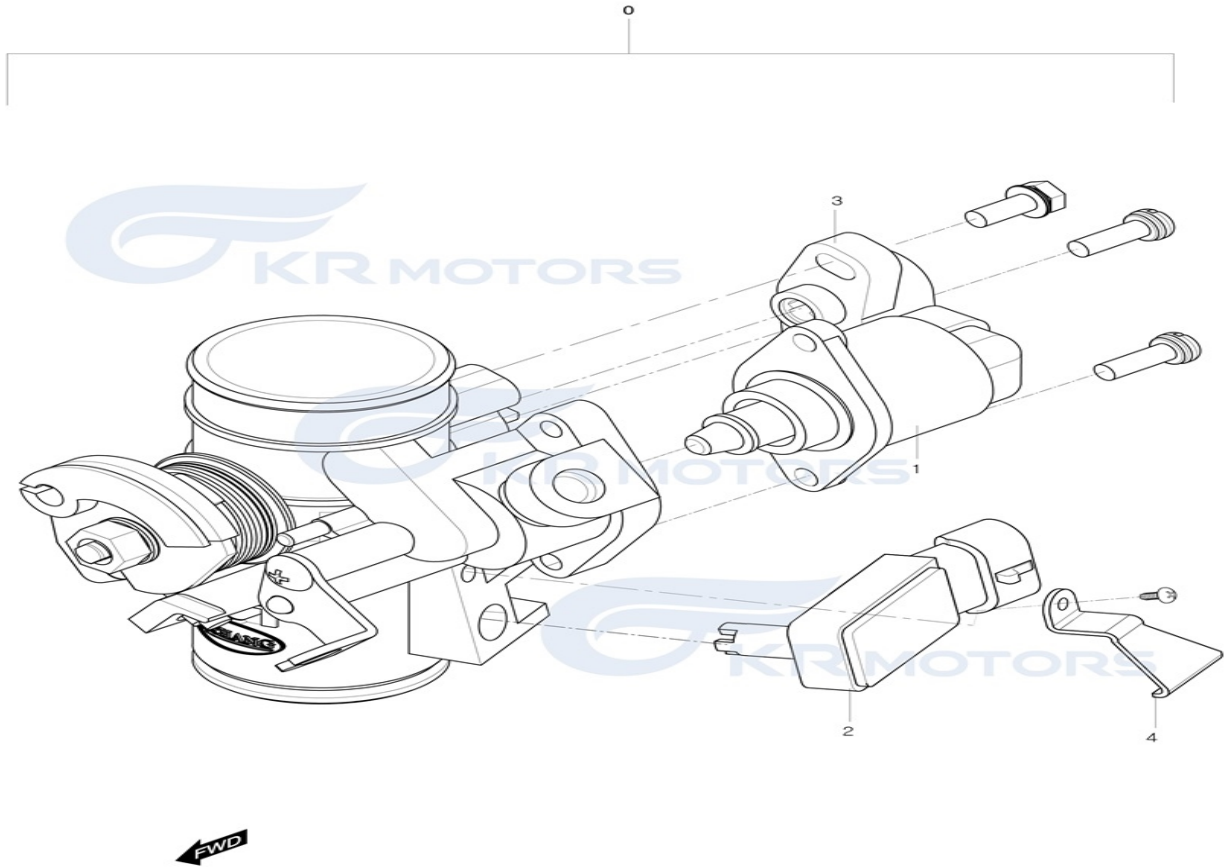
FIG 46



SEQ	PART CODE	PART NAME	U/S	REMARK
0	61000HC8100HPA	SWINGARM ASS'Y, REAR(GD250)	1	
1	61110HC8101	SWING ARM COMP, REAR RH(GD250)	1	=61110HC8100
1-1	61110HC8100HPA	S/ARM REAR ASSY RH (GD250N)	1	...+BEARING+...
2	61120HC8101	S/ARM COMP, REAR LH (GD250N)	1	=61120HC8100
2-1	61120HC8100HPA	S/ARM REAR ASSY LH (GD250N)	1	...+BEARING+...
3	09319H10055	BUSH (TE50)	1	
4	09263-22017	BEARING,REAR SWING	2	
5	61251HC8100	SPC, S/ARM PIVOT BEARING(GD250)	2	
6	61211HC8100	SHAFT,REAR S/ARM PIVOT(GD250N)	1	
7	09181H17002	SHIM,REVER IDLE GR THRUST(TE45)	1	
8	08319-31128	NUT,SWING ARM PIVOT	1	
9	09284H38003	DUST SEAT,RR S/ARM PIVOT(TE450)	2	
10	09284-26002	SEAL,FRONT HUB R/L INNER(TE450)	2	
11	01517-10458	BOLT,PILLTON FOOTREST RH	6	
12	08319-31108	NUT,FRONT SORBER	6	
13	04213-13189	PIN,CRANK CASE (GT&GV)	3	
14	61273HC8101	BUFFER, CHAIN DEFENSE (GD250N)	1	=61110HC8100

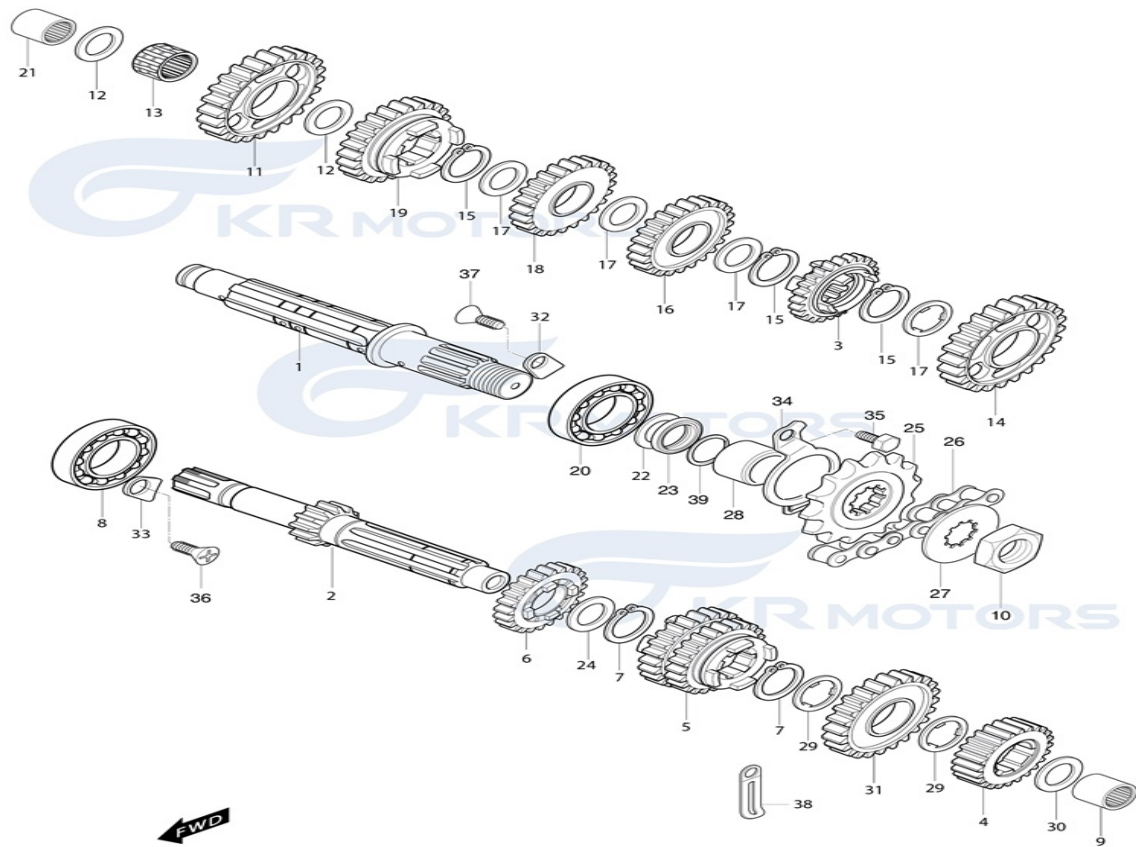
15	02142-06165	SCREW,LEG SHIELD LOWER(GT250RN	2
16	09169H06011	WASHER	2
17	09103H08608	BOLT,CHAIN ADJUSTER (GT650)	2
18	08316-16088	NUT,CYLINDER HEAD	2
19	61610HC8100	GUIDE,REAR BRAKE HOSE (GD250N)	1
20	02112-36206	SCREW,PIPE INTAKE	1
30	61411HN9100	PLATE,CHAIN ADJUSTER R (GT650)	1
31	61511HN9100	PLATE,CHAIN ADJUSTER L (GT650)	1

FIG 10



SEQ	PART CODE	PART NAME	U/S	REMARK
0	13400HC8102	BODY ASS'Y, THROTTLE (GD250N)	1	=13400HC8101=13400HC8100
1	37941HR8410	VALVE ISC (GV250)	1	
2	37920HS7610	SENSOR, INTAKE AIR PRESSURE	1	
3	13580H88600	SENSOR, THROTT POSITION(GV250EI)	1	
4	37921HS7610	BRACKET, MAP SENSOR (GD250N)	1	

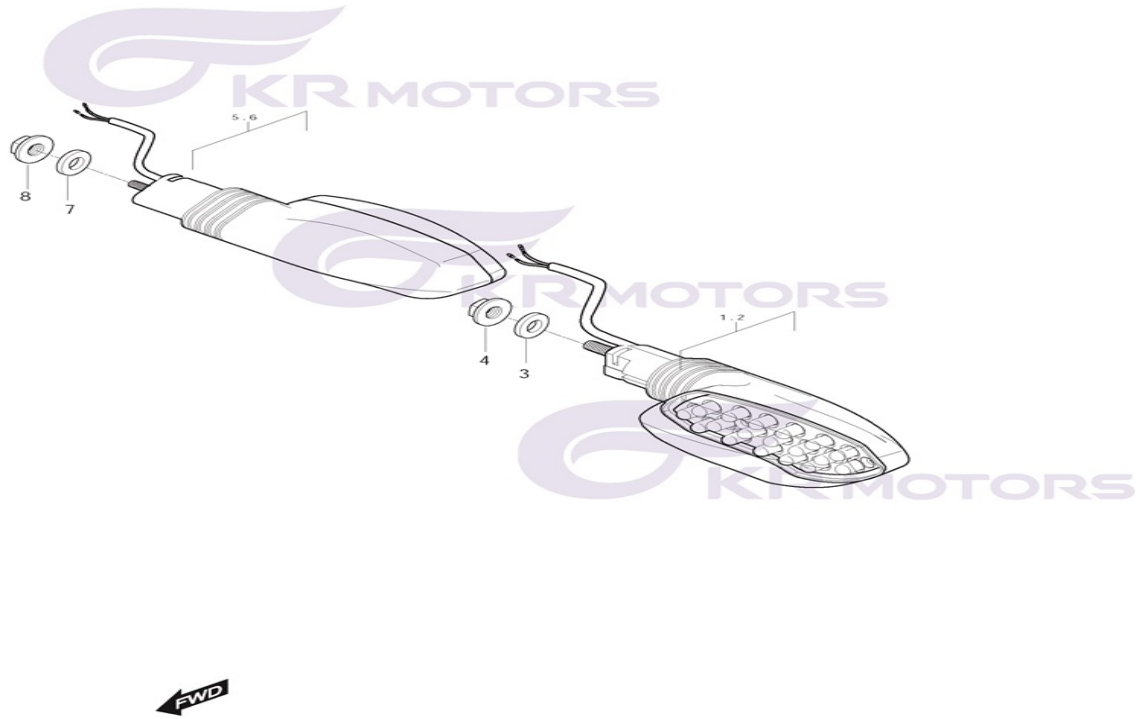
FIG 16



SEQ	PART CODE	PART NAME	U/S	REMARK
0-1	24300HC8100	SHAFT ASSY, DRIVE (GD250N)	1	
0-1-1	24300HC8102	SHAFT ASSY, DRIVE (GD250N)	1	2014.08.01~ Vin No. KM4NF46C7E1500524~ (E/G No.GD250-102675~)
1	24131HC8100	SHAFT, DRIVE (GD250N)	1	24300HC8102
1-1	24131HC8102	SHAFT, DRIVE (GD250N)	1	
0-2	24200HC8100	SHAFT ASSY, COUNTER (GD250N)	1	
2	24121HC8100	SHAFT, COUNTER	1	
3	24361HC8100	GEAR, 6TH DRIVEN (GD250N)	1	24300HC8102
3-1	24361HC8102	GEAR, 6TH DRIVEN (GD250N)	1	
4	24221HC8100	GEAR, 2ND DRIVE	1	
5	24231HC8100	GEAR, 3RD & 4TH DRIVE	1	
6	24251HC8102	GEAR, 5TH DRIVE (GD250N)	1	
7	09380-20007	CIRCLIP 2ND DRIVEN GEAR	2	
8	08110-63040	BEARING,COUNTER SHAFT R (GV)	1	
9	09263H15018	BEARING,COUNTER SHAFT L (GV)	1	
10	09140-16017	NUT,ENGINE SPROCKET	1	
11	24311HC8100	GEAR, 1ST DRIVEN (GD250N)	1	
12	09160-15034	THRUST WASHER,3RD DRIVE GEAR	2	

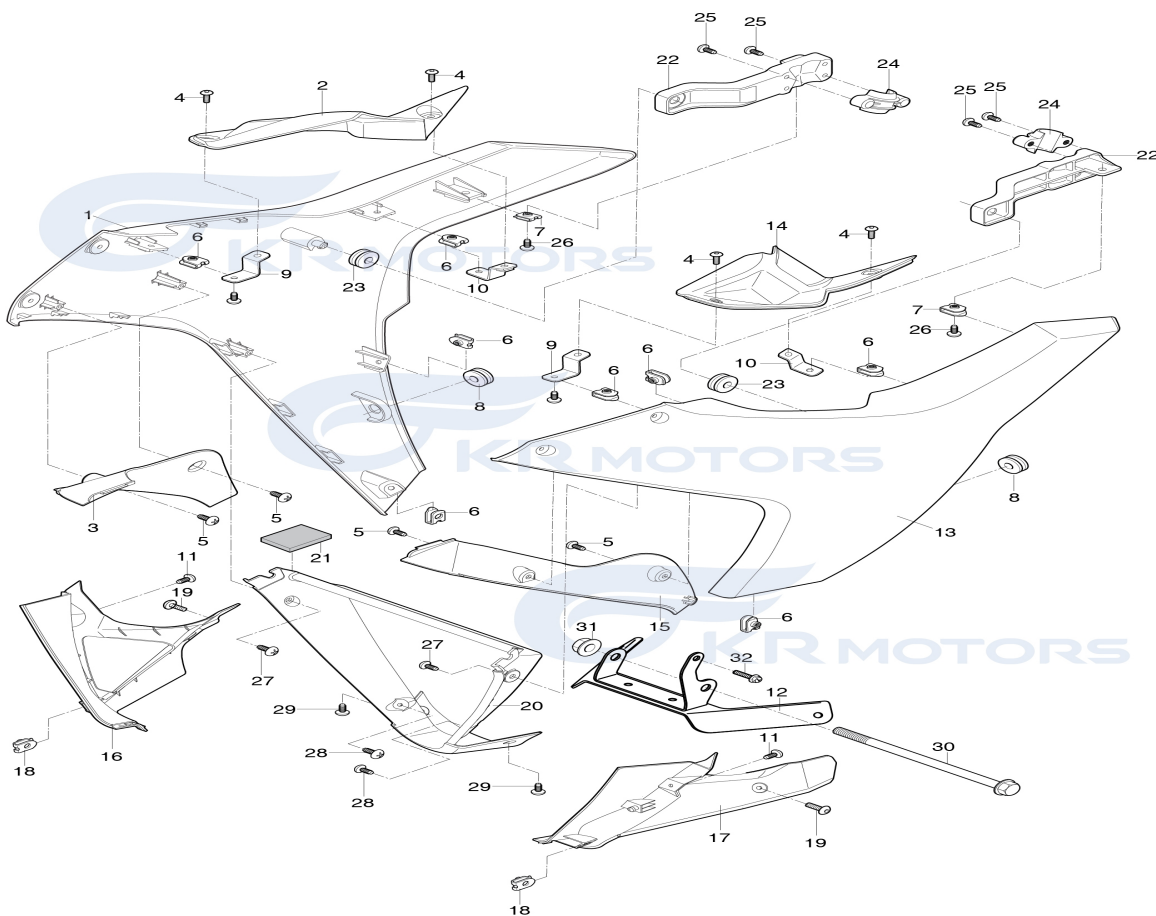
13	09263H15000	BEARING, 1ST DRIVEN GEAR	1
14	24321HC8100	GEAR 2ND DRIVEN (GD250N)	1
15	09380-20007	CIRCLIP 2ND DRIVEN GEAR	3
16	24331HC8100	GEAR, 3RD DRIVEN (GD250N)	1 24300HC8102
16-1	24331HC8101	GEAR, 3RD DRIVEN (GD250N)	1
17	09167-20011	THRUST WASHER,3RD DRIVE GEAR	4
18	24341HC8100	GEAR, 4TH DRIVEN (GD250N)	1 24300HC8102
18-1	24341HC8101	GEAR, 4TH DRIVEN (GD250N)	1
19	24351HC8100	GEAR, 5TH DRIVEN (GD250N)	1 24300HC8102
19-1	24351HC8102	GEAR, 5TH DRIVEN (GD250N)	1 [2014/9/3]
20	09262H22016	BEARING,DRIVE SHAFT L (GV)	1
21	09263H15015	BEARING,DRIVE SHAFT R (GV)	1
22	09160H20011	WASHER,OIL SEALING (GV250)	1
23	09283-27010	OIL SEAL,REAR AXLE	1
24	09167-20015	THRUST WASHER, 5TH DRIVE GEA	1
25	27510HC8101	SPROCKET COMP,EG 15T (GD250N)	1
26	27600HC8100	CHAIN ASS'Y,DRIVE 110L(GD250N)	1
27	09167H20002	WASHER,ENGINE SPROCKET(GD250R)	1 KM4NF46C8F1500548
28	27531HJ8201	SPACER,ENGINE SPROCKET (GV250)	1
29	09167-20011	THRUST WASHER,3RD DRIVE GEAR	2
30	09160-15034	THRUST WASHER,3RD DRIVE GEAR	1
31	24261HC8100	GEAR, 6TH DRIVE (GD250N)	1
32	01107-06106	BOLT,DR SH RETAINER	1
33	24751HG5102	RETAINER,DRIVE SHAFT O/SEAL(GV)	1
34	24741HG5100	RETAINER,COUNTER SHAFT BG (GV)	2
35	02122-06128	SCREW,OL GR SH	2
36	09404-06404	CLAMP,WIRING HARNESS	1

FIG 24



SEQ	PART CODE	PART NAME	U/S	REMARK
1	35601HD8503	FRONT TURNSIGNAL R (GD250R)	1	
2	35602HD8503	FRONT TURNSIGNAL L (GD250R)	1	
3	09160-06019	WASHER	2	
4	08316-26066	NUT,REAR COMBI LAMP	2	
5	35603HD8502	LAMP,REAR TURNSIGNAL R(GD250R)	1	
6	35604HD8502	LAMP,REAR TURNSIGNAL L(GD250R)	1	
7	09160-06019	WASHER	2	
8	08316-26066	NUT,REAR COMBI LAMP	2	

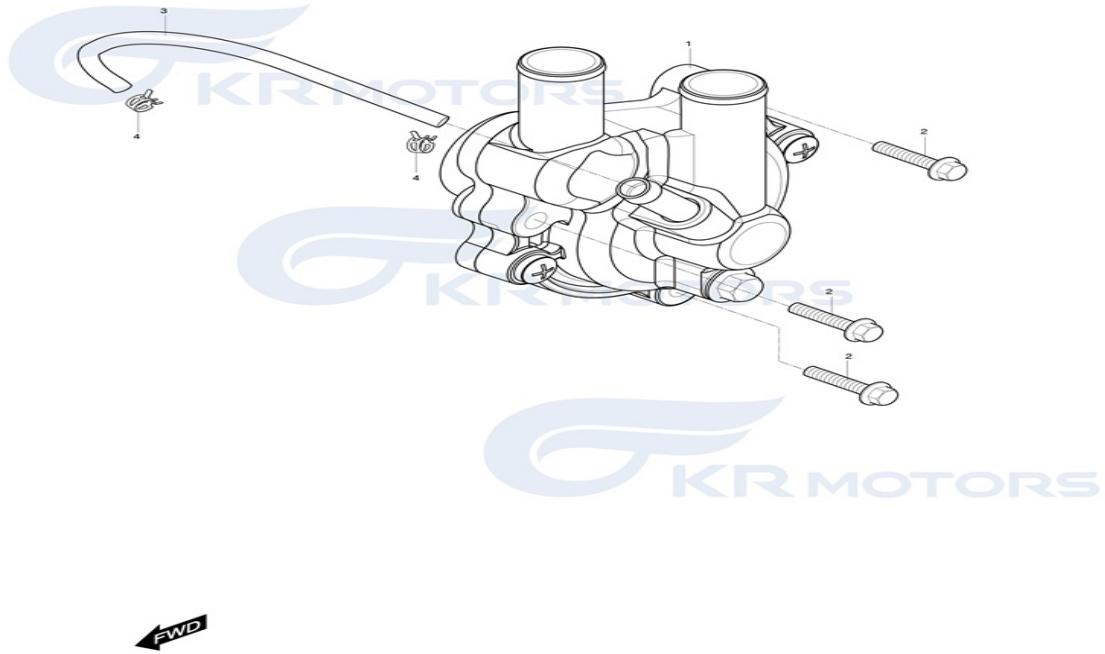
FIG 35



SEQ	PART CODE	PART NAME	U/S	REMARK
1-1	94432HD8500TLG	COWLING, UNDER RH (GD250R)	1	BIKE COLOR : LG
1-1-1	68134HD8500AD1	EMBLEM, EXIV R RH (GD250R)	1	BIKE COLOR : LG
1-1-2	68144HD8500120	TAPE, LEG SHIELD RH (GD250R)	1	BIKE COLOR : LG
1-2	94432HD8500TST	COWLING, UNDER RH (GD250R)	1	
1-2-1	68134HD8500AD1	EMBLEM, EXIV R RH (GD250R)	1	BIKE COLOR : ST
1-2-2	68144HD8500120	TAPE, LEG SHIELD RH (GD250R)	1	BIKE COLOR : ST
1-3	94432HD8500TWP	COWLING, UNDER RH (GD250R)	1	BIKE COLOR : WP
1-3-1	68134HD8500AD1	EMBLEM, EXIV R RH (GD250R)	1	BIKE COLOR : WP
1-3-2	68144HD8500120	TAPE, LEG SHIELD RH (GD250R)	1	BIKE COLOR : WP
2	94438HD8500	COWLING, UNDER SIDE RH(GD250R)	1	
3	94434HD8500TBK	COWLING, UNDER RH INNER(GD250R)	1	
4	09136H05120	BOLT (GD250N)	4	
5	03241-05125	SCREW LOWER COVER CENT (EZ,	4	
6	09148H05030	NUT,SIDE COVER (GT)	8	
7	09148-06020	NUT	2	
8	09320-08018	CUSHION,FRAME COVER	2	
9	94426HD8500	PLATE, COWLING, UNDER RH & SID	2	

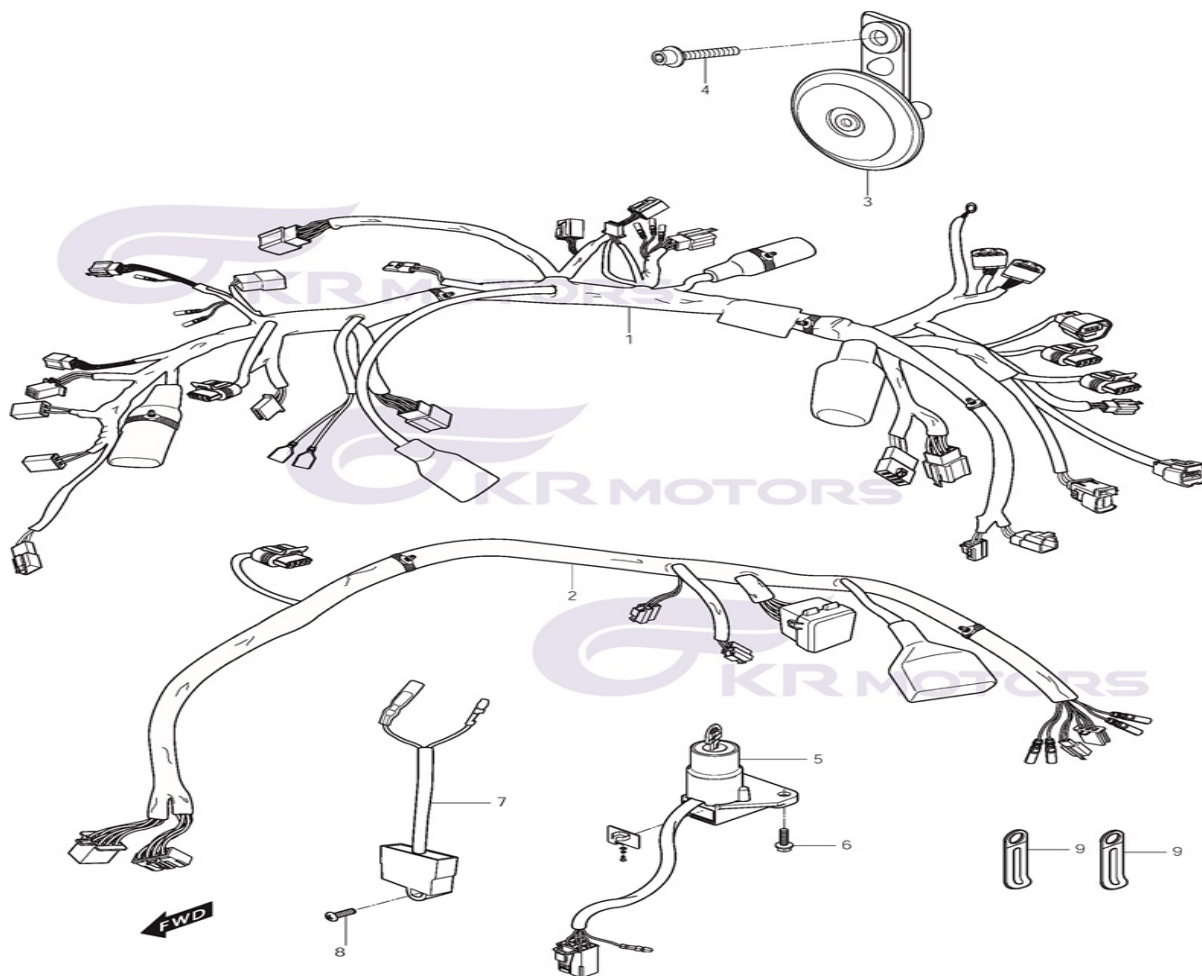
10	94427HD8500	PLATE, COWLING, UNDER LH & SID	2
11	09106H06150	WRENCH BOLT 6*15MM (GT650)	2
12	94540HD8500	BRKT COMP,UNDER REAR COWLING	4
13-1	94433HD8500TLG	COWLING, UNDER LH (GD250R)	1 BIKE COLOR : LG
13-1-1	68136HD8500AD1	EMBLEM, EXIV R LH (GD250R)	1 BIKE COLOR : LG
13-1-2	68146HD8500120	TAPE, LEG SHIELD LH (GD250R)	1 BIKE COLOR : LG
13-2	94433HD8500TST	COWLING, UNDER LH (GD250R)	1
13-2-1	68136HD8500AD1	EMBLEM, EXIV R LH (GD250R)	1 BIKE COLOR : ST
13-2-2	68146HD8500120	TAPE, LEG SHIELD LH (GD250R)	1 BIKE COLOR : ST
13-3	94433HD8500TWP	COWLING, UNDER LH (GD250R)	1 BIKE COLOR : WP
13-3-1	68136HD8500AD1	EMBLEM, EXIV R LH (GD250R)	1 BIKE COLOR : WP
13-3-2	68146HD8500120	TAPE, LEG SHIELD LH (GD250R)	1 BIKE COLOR : WP
14	94439HD8500	COWLING, UNDER SIDE LH(GD250R)	1
15	94435HD8500TBK	COWLING, UNDER LH INNER(GD250R)	1
16	94436HD8500	COWLING, UNDER REAR RH(GD250R)	1
17	94437HD8500	COWLING, UNDER REAR LH(GD250R)	1
18	03241-05125	SCREW LOWER COVER CENT (EZ,	2
19	09106H05120	SCREW, SIDE COVER R & UNDER	2
20	94431HD8500TBK	COWLING, UNDER FRONT (GD250R)	1
21	94442HD8500	HEAT SHIELD, COWLING UNDER CEN	1
22	94471HD8500	BRACKET, UNDER COWLING R/L	2
23	09320-08018	CUSHION,FRAME COVER	2
24	94480HD8500	CLAMP COMP, UNDER COWLING R/L	2
25	01517-06125	BOLT,COVER CYLINDER HEAD	4
26	09106H06150	WRENCH BOLT 6*15MM (GT650)	2
27	03241-05125	SCREW LOWER COVER CENT (EZ,	2
28	02142-05125	SCREW,HANDEL COVER FRONT&REAR	2
29	02142-05125	SCREW,HANDEL COVER FRONT&REAR	2
30	09103H10156	BOLT, UNDER COWLING & ENGINE	1
31	08319-31108	NUT,FRONT SORBER	1
32	01517-06165	BOLT,SPORT CARRIER (SD)	1

FIG 13-1

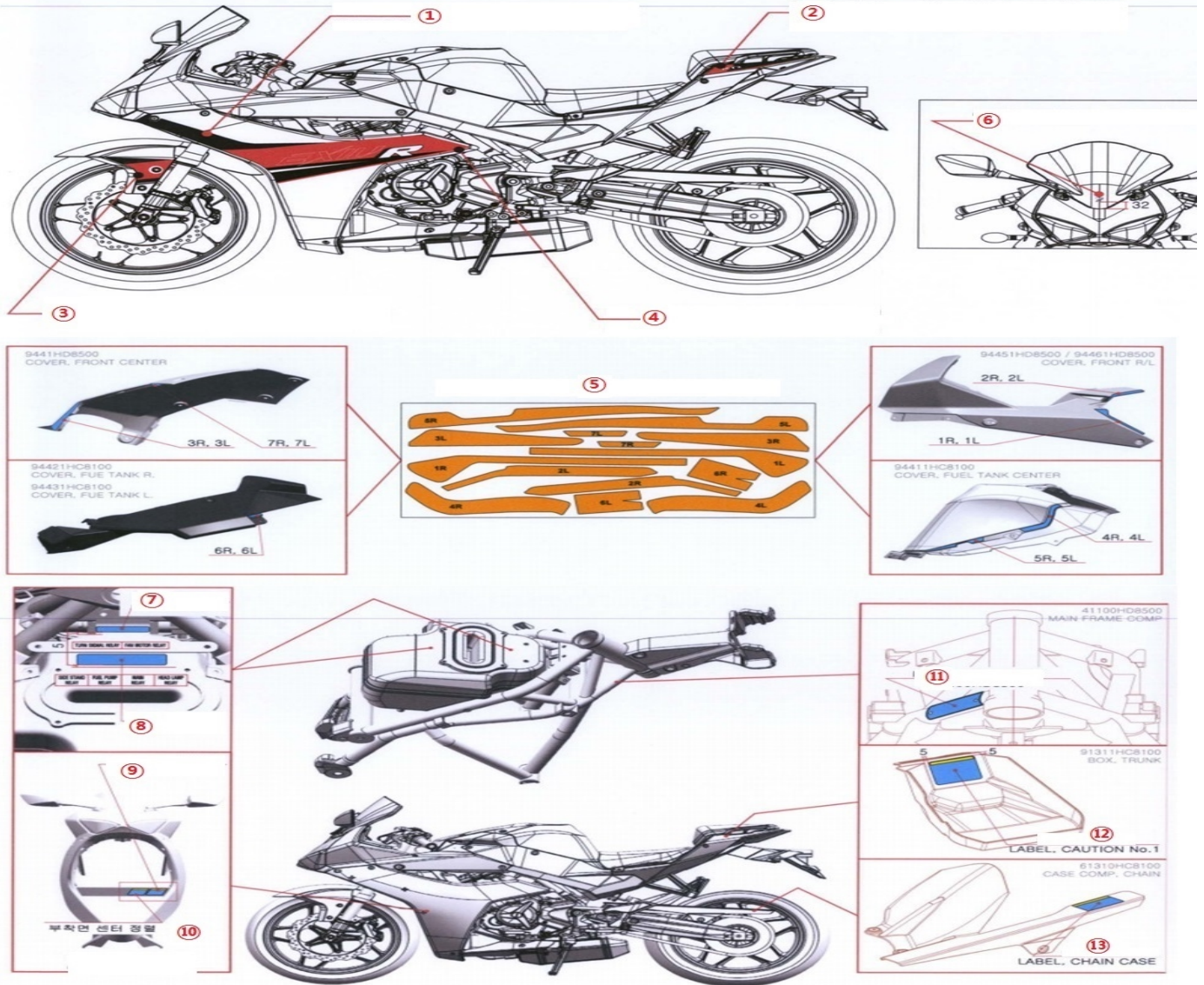


SEQ	PART CODE	PART NAME	U/S	REMARK
1	17400HC8100	PUMP ASS'Y, WATER (GD250N)	1	
2	01547-06308	BOLT,MAGNET&CLUTCH COVER (EZ)	3	
3	17641HC8100	HOSE,THERMOSTAT BYPASS(GD250N)	1	
4	09401H13401	CLAMP,THERMOSTAT BYPASS HOS	2	

FIG 25



SEQ	PART CODE	PART NAME	U/S	REMARK
1	36610HD8502	HARNESS, WIRING (GD250R)	1	=36610HD8501
2	36670HC8100	LEAD WIRE, REAR COMBI (GD250N)	1	
3	38500HC8100	HORN ASS'Y (GD250N)	1	
4	07120-08208	BOLT,CALIPER (GT250RN)	1	
5	37000HP9200	KEY SET (GT650S)	1	
6	07120-06408	BOLT,GEAR BOX COVER (GPS)	2	
7	37890HP8810	SENSOR,TIP OVER (GT650REI)	1	
8	02142-06165	SCREW,LEG SHIELD LOWER(GT250RN)	1	
9	09404-06404	CLAMP,WIRING HARNESS	2	



SEQ	PART CODE	PART NAME	U/S	REMARK
0	99019HC8100	CASE, VINYL (GD250N)	1	
1-1	68144HD8500120	TAPE, LEG SHIELD RH (GD250R)	1	
1-2	68146HD8500120	TAPE, LEG SHIELD LH (GD250R)	1	
2-1	68124HD8550D02	EMBLEM, TAIL COVER RH (HYOSUNG)	1	
2-2	68126HD8550D02	EMBLEM, TAIL COVER LH (HYOSUNG)	1	
3-1	68156HD8500AD1	TAPE, FRONT FENDER LH (GD250R)	1	
3-2	68154HD8500AD1	TAPE, FRONT FENDER RH (GD250R)	1	
4-1	68136HD8500AD1	EMBLEM, EXIV R LH (GD250R)	1	
4-2	68134HD8500AD1	EMBLEM, EXIV R RH (GD250R)	1	
5	68200HD8500	TAPE, COVER PROTECTOR SET	1	
6	68256HD8500CRK	SYMBOL, KR WINDSCREEN (GD250R)	1	
7	68170HD8500	LABEL, RELAY NO.2	1	
8	68160HD8500	LABEL, RELAY NO.1 (GD250R)	1	
9-1	68319H05351PL	LABEL,CAUTION□□GT/GV/RT/RX	1	
9-2	68319H05371PL	LABEL,CAUTION□□GT/GV/RT/RX	1	
9-3	68319H05381PL	LABEL,CAUTION□□GT/GV/RT/RX	1	
9-4	68319H05391PL	LABEL,CAUTION□□GT/GV/RT/RX	1	

12-1	68350HC8151	LABEL, CAUTION No.1(□□□	1
12-2	68350HC8160	LABEL, CAUTION No1.(□□)(GD	1 GERMAN
12-3	68350HC8181	LABEL, CAUTION No.1(□□□□	1 SPANISH
12-4	68350HC8190	LABEL, CAUTION No1.(□□)(GD	1 FRENCH
13-1	68320HC8150	LABEL,CHAIN CASE. (□□)	1
13-2	68320HC8160	LABEL, CHAIN CASE.(□□)(GD2	1
13-3	68320HC8180	LABEL, CHAIN CASE.(□□□)	1
13-4	68320HC8190	LABEL, CHAIN CASE.(□□)(GD2	1